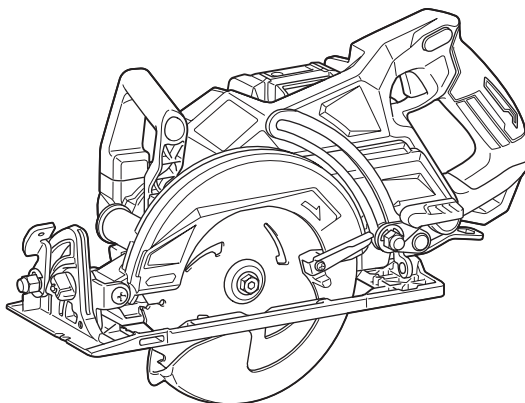




EN	Cordless Rear Handle Saw	INSTRUCTION MANUAL	6
PL	Akumulatorowa ręczna pilarka tarczowa	INSTRUKCJA OBSŁUGI	15
HU	Hátsó markolatú akkumulátoros fűrész	HASZNÁLATI KÉZIKÖNYV	25
SK	Akumulátorová píla so zadnou rukoväťou	NÁVOD NA OBSLUHU	35
CS	Akumulátorová píla se zadní rukojetí	NÁVOD K OBSLUZE	44
UK	Бездротова пила з задньою ручкою	ІНСТРУКЦІЯ З ЕКСПЛУАТАЦІЇ	53
RO	Ferăstrău cu mâner posterior cu acumulator	MANUAL DE INSTRUCȚIUNI	64
DE	Akku-Handkreissäge	BETRIEBSANLEITUNG	74

**RS001G**



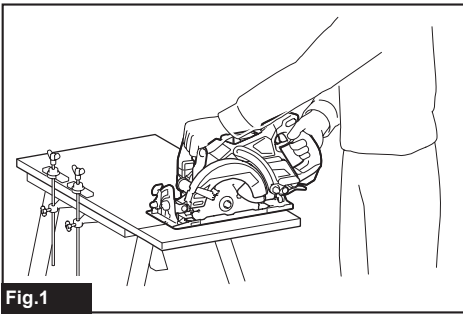


Fig.1

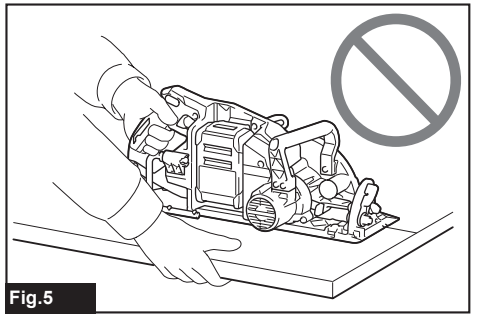


Fig.5

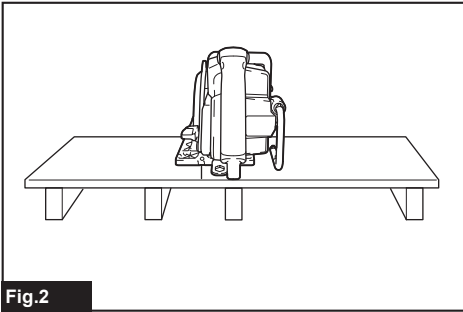


Fig.2

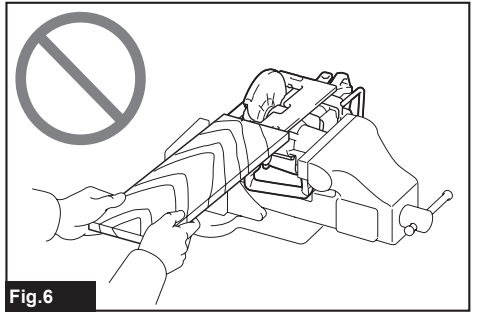


Fig.6

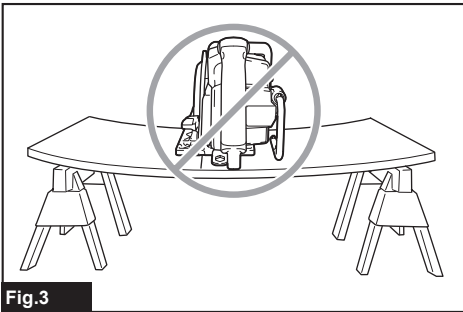


Fig.3

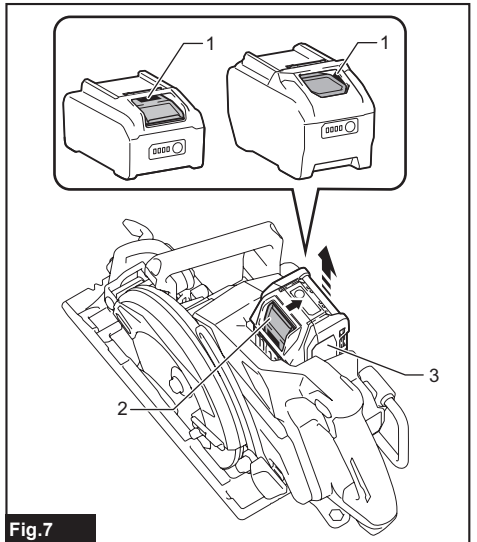


Fig.7

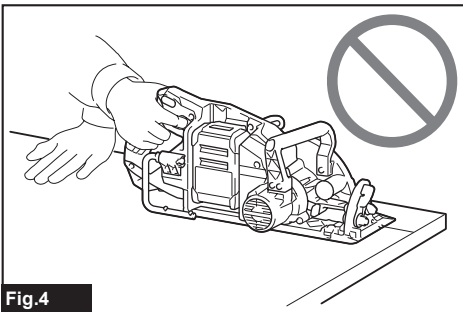


Fig.4

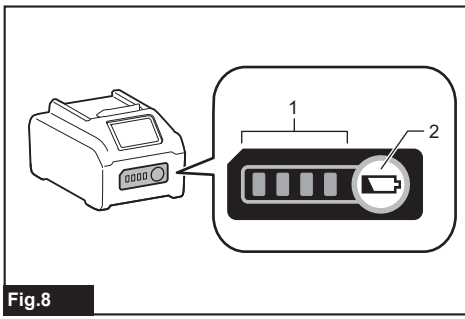


Fig. 8

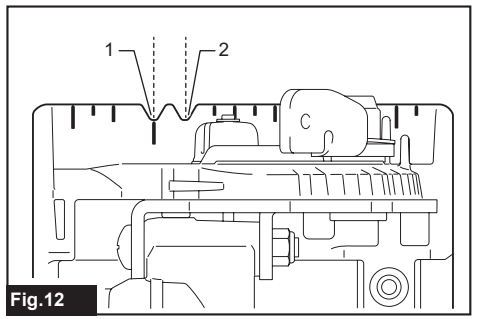


Fig. 12

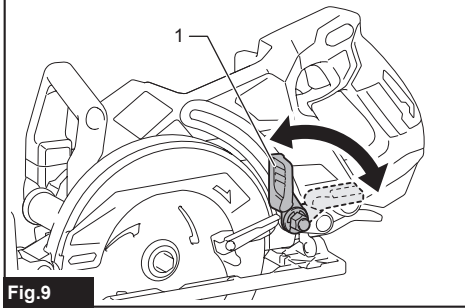


Fig. 9

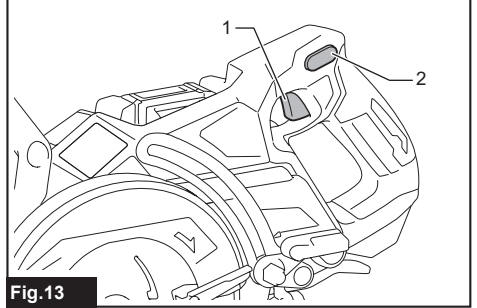


Fig. 13

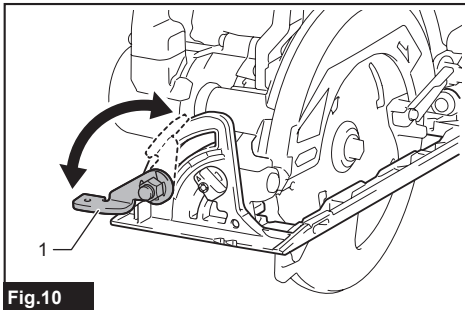


Fig. 10

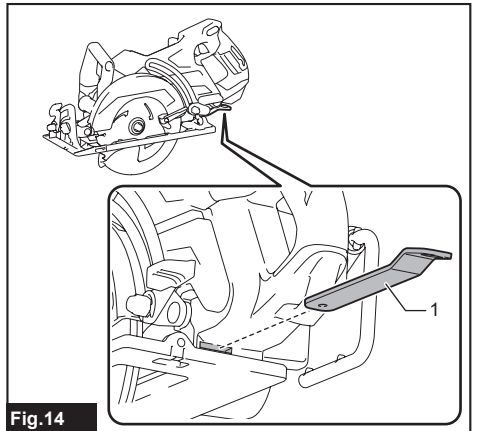


Fig. 14

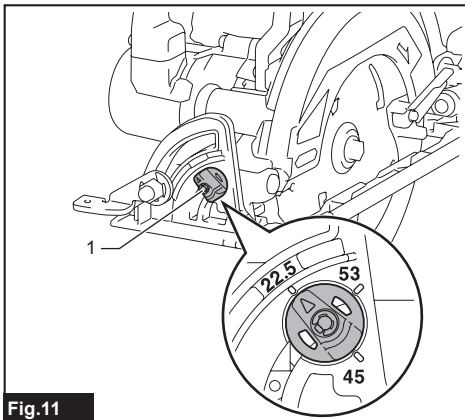


Fig. 11

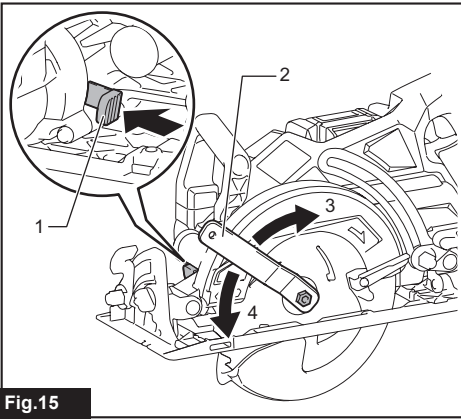


Fig.15

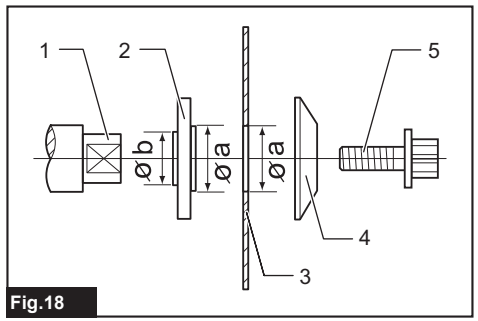


Fig.18

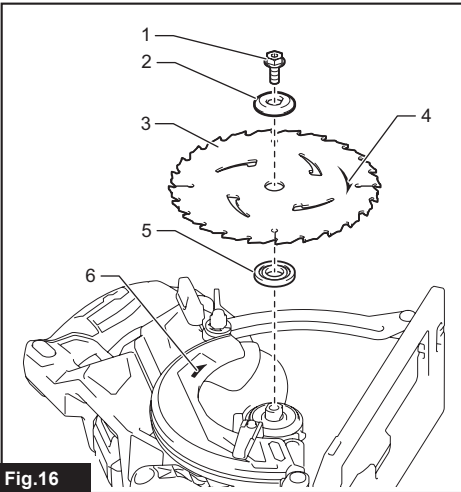


Fig.16

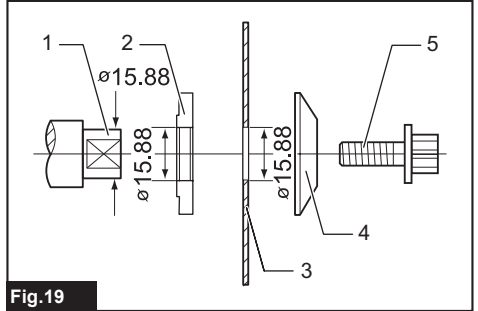


Fig.19

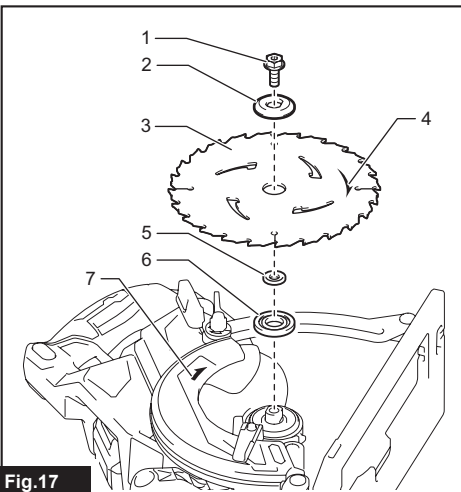


Fig.17

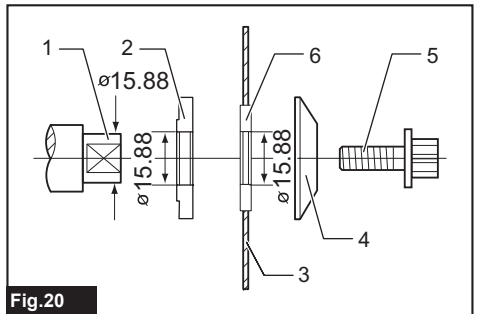


Fig.20

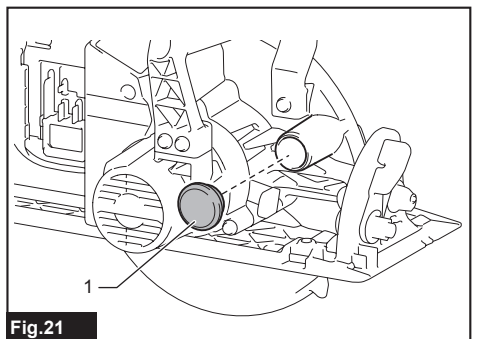


Fig.21

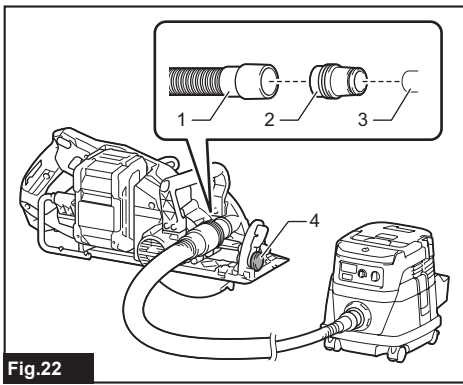


Fig.22

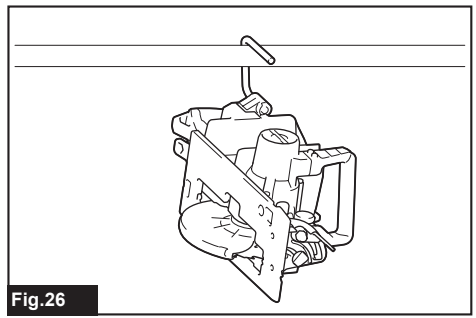


Fig.26

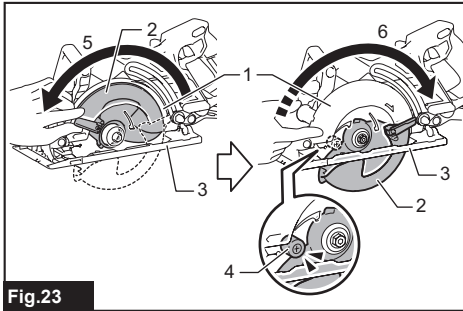


Fig.23

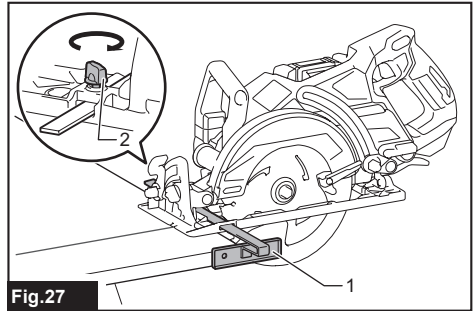


Fig.27

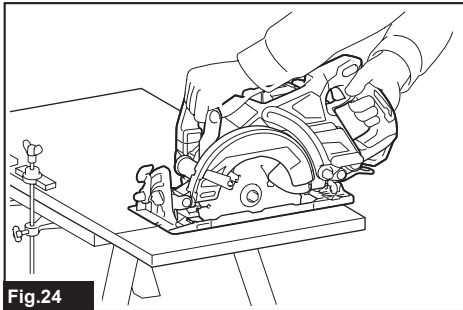


Fig.24

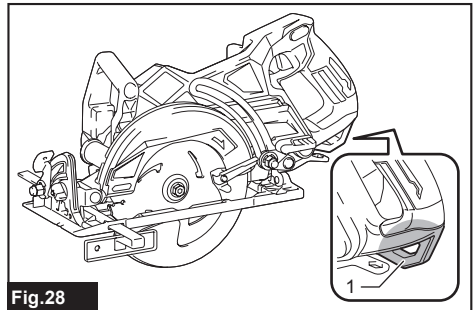


Fig.28

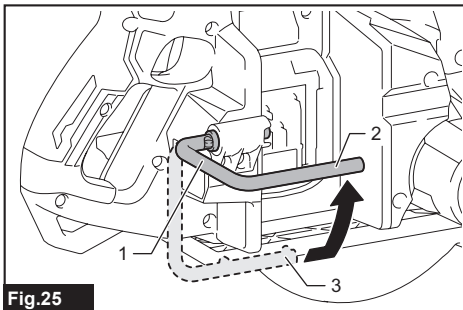


Fig.25

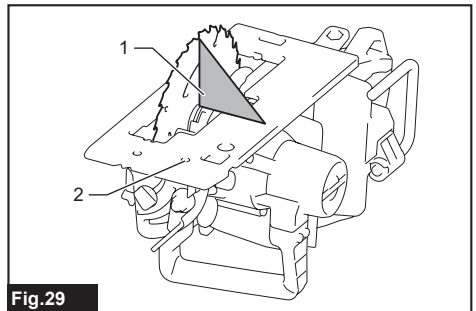


Fig.29

## SPECIFICATIONS

<b>Model:</b>		<b>RS001G</b>
Blade diameter		185 mm
Max. Cutting depth	at 0°	65 mm
	at 45° bevel	45 mm
	at 53° bevel	38 mm
No load speed		6,400 min <sup>-1</sup>
Overall length		446 mm
Rated voltage		D.C. 36 V - 40 V max
Net weight		5.0 - 6.2 kg

- Due to our continuing program of research and development, the specifications herein are subject to change without notice.
- Specifications may differ from country to country.
- The weight may differ depending on the attachment(s), including the battery cartridge. The lightest and heaviest combinations, according to EPTA-Procedure 01/2014, are shown in the table.

### Applicable battery cartridge and charger

Battery cartridge	BL4020 / BL4025 / BL4040* / BL4040F* / BL4050F* / BL4080F* * : Recommended battery
Charger	DC40RA / DC40RB / DC40RC

- Some of the battery cartridges and chargers listed above may not be available depending on your region of residence.

**⚠WARNING:** Only use the battery cartridges and chargers listed above. Use of any other battery cartridges and chargers may cause injury and/or fire.

### Intended use

The tool is intended for performing lengthways and crossways straight cuts and miter cuts with angles in wood while in firm contact with the workpiece.

### Noise

The typical A-weighted noise level determined according to EN62841-2-5:

Sound pressure level ( $L_{pA}$ ) : 95 dB (A)

Sound power level ( $L_{WA}$ ) : 103 dB (A)

Uncertainty (K) : 3 dB (A)

**NOTE:** The declared noise emission value(s) has been measured in accordance with a standard test method and may be used for comparing one tool with another.

**NOTE:** The declared noise emission value(s) may also be used in a preliminary assessment of exposure.

**⚠WARNING:** Wear ear protection.

**⚠WARNING:** The noise emission during actual use of the power tool can differ from the declared value(s) depending on the ways in which the tool is used especially what kind of workpiece is processed.

**⚠WARNING:** Be sure to identify safety measures to protect the operator that are based on an estimation of exposure in the actual conditions of use (taking account of all parts of the operating cycle such as the times when the tool is switched off and when it is running idle in addition to the trigger time).

### Vibration

The vibration total value (tri-axial vector sum) determined according to EN62841-2-5:

Work mode: cutting wood

Vibration emission ( $a_{h,w}$ ) : 2.5 m/s<sup>2</sup> or less

Uncertainty (K) : 1.5 m/s<sup>2</sup>

**NOTE:** The declared vibration total value(s) has been measured in accordance with a standard test method and may be used for comparing one tool with another.

**NOTE:** The declared vibration total value(s) may also be used in a preliminary assessment of exposure.

**⚠ WARNING:** The vibration emission during actual use of the power tool can differ from the declared value(s) depending on the ways in which the tool is used especially what kind of workpiece is processed.

**⚠ WARNING:** Be sure to identify safety measures to protect the operator that are based on an estimation of exposure in the actual conditions of use (taking account of all parts of the operating cycle such as the times when the tool is switched off and when it is running idle in addition to the trigger time).

## Declarations of Conformity

### For European countries only

The Declarations of conformity are included in Annex A to this instruction manual.

# SAFETY WARNINGS

## General power tool safety warnings

**⚠ WARNING** Read all safety warnings, instructions, illustrations and specifications provided with this power tool. Failure to follow all instructions listed below may result in electric shock, fire and/or serious injury.

## Save all warnings and instructions for future reference.

The term "power tool" in the warnings refers to your mains-operated (corded) power tool or battery-operated (cordless) power tool.

## Cordless circular saw safety warnings

### Cutting procedures

1. **⚠ DANGER:** Keep hands away from cutting area and the blade. Keep your second hand on auxiliary handle, or motor housing. If both hands are holding the saw, they cannot be cut by the blade.
2. **Do not reach underneath the workpiece.** The guard cannot protect you from the blade below the workpiece.
3. **Adjust the cutting depth to the thickness of the workpiece.** Less than a full tooth of the blade teeth should be visible below the workpiece.
4. **Never hold the workpiece in your hands or across your leg while cutting. Secure the workpiece to a stable platform.** It is important to support the work properly to minimise body exposure, blade binding, or loss of control.

► Fig.1

5. **Hold the power tool by insulated gripping surfaces, when performing an operation where the cutting tool may contact hidden wiring.** Contact with a "live" wire will also make exposed

metal parts of the power tool "live" and could give the operator an electric shock.

6. **When ripping, always use a rip fence or straight edge guide.** This improves the accuracy of cut and reduces the chance of blade binding.
7. **Always use blades with correct size and shape (diamond versus round) of arbour holes.** Blades that do not match the mounting hardware of the saw will run off-centre, causing loss of control.
8. **Never use damaged or incorrect blade washers or bolt.** The blade washers and bolt were specially designed for your saw, for optimum performance and safety of operation.

### Kickback causes and related warnings

- kickback is a sudden reaction to a pinched, jammed or misaligned saw blade, causing an uncontrolled saw to lift up and out of the workpiece toward the operator;
- when the blade is pinched or jammed tightly by the kerf closing down, the blade stalls and the motor reaction drives the unit rapidly back toward the operator;
- if the blade becomes twisted or misaligned in the cut, the teeth at the back edge of the blade can dig into the top surface of the wood causing the blade to climb out of the kerf and jump back toward the operator.

Kickback is the result of saw misuse and/or incorrect operating procedures or conditions and can be avoided by taking proper precautions as given below.

1. **Maintain a firm grip with both hands on the saw and position your arms to resist kickback forces. Position your body to either side of the blade, but not in line with the blade.** Kickback could cause the saw to jump backwards, but kickback forces can be controlled by the operator, if proper precautions are taken.
2. **When blade is binding, or when interrupting a cut for any reason, release the trigger and hold the saw motionless in the material until the blade comes to a complete stop. Never attempt to remove the saw from the work or pull the saw backward while the blade is in motion or kickback may occur.** Investigate and take corrective actions to eliminate the cause of blade binding.
3. **When restarting a saw in the workpiece, centre the saw blade in the kerf so that the saw teeth are not engaged into the material.** If a saw blade binds, it may walk up or kickback from the workpiece as the saw is restarted.
4. **Support large panels to minimise the risk of blade pinching and kickback.** Large panels tend to sag under their own weight. Supports must be placed under the panel on both sides, near the line of cut and near the edge of the panel.

► Fig.2

► Fig.3

5. **Do not use dull or damaged blades.** Unsharpened or improperly set blades produce narrow kerf causing excessive friction, blade binding and kickback.
6. **Blade depth and bevel adjusting locking levers**

must be tight and secure before making the cut. If blade adjustment shifts while cutting, it may cause binding and kickback.

7. **Use extra caution when sawing into existing walls or other blind areas.** The protruding blade may cut objects that can cause kickback.
8. **ALWAYS hold the tool firmly with both hands. NEVER place your hand, leg or any part of your body under the tool base or behind the saw, especially when making cross-cuts.** If kickback occurs, the saw could easily jump backwards over your hand, leading to serious personal injury.

► **Fig.4**

9. **Never force the saw. Push the saw forward at a speed so that the blade cuts without slowing.** Forcing the saw can cause uneven cuts, loss of accuracy, and possible kickback.

**Lower guard function**

1. **Check the lower guard for proper closing before each use. Do not operate the saw if the lower guard does not move freely and close instantly. Never clamp or tie the lower guard into the open position.** If the saw is accidentally dropped, the lower guard may be bent. Raise the lower guard with the retracting handle and make sure it moves freely and does not touch the blade or any other part, in all angles and depths of cut.
2. **Check the operation of the lower guard spring. If the guard and the spring are not operating properly, they must be serviced before use.** Lower guard may operate sluggishly due to damaged parts, gummy deposits, or a build-up of debris.
3. **The lower guard may be retracted manually only for special cuts such as “plunge cuts” and “compound cuts”. Raise the lower guard by the retracting handle and as soon as the blade enters the material, the lower guard must be released.** For all other sawing, the lower guard should operate automatically.
4. **Always observe that the lower guard is covering the blade before placing the saw down on bench or floor.** An unprotected, coasting blade will cause the saw to walk backwards, cutting whatever is in its path. Be aware of the time it takes for the blade to stop after switch is released.
5. **To check lower guard, open lower guard by hand, then release and watch guard closure. Also check to see that retracting handle does not touch tool housing.** Leaving blade exposed is VERY DANGEROUS and can lead to serious personal injury.

**Additional safety warnings**

1. **Use extra caution when cutting damp wood, pressure treated lumber, or wood containing knots.** Maintain smooth advancement of tool without decrease in blade speed to avoid overheating the blade tips.
2. **Do not attempt to remove cut material when blade is moving. Wait until blade stops before grasping cut material.** Blades coast after turn off.
3. **Avoid cutting nails. Inspect for and remove all nails from lumber before cutting.**
4. **Place the wider portion of the saw base on**

that part of the workpiece which is solidly supported, not on the section that will fall off when the cut is made. If the workpiece is short or small, clamp it down. **DO NOT TRY TO HOLD SHORT PIECES BY HAND!**

► **Fig.5**

5. **Before setting the tool down after completing a cut, be sure that the guard has closed and the blade has come to a complete stop.**
6. **Never attempt to saw with the circular saw held upside down in a vise. This is extremely dangerous and can lead to serious accidents.**

► **Fig.6**

7. **Some material contains chemicals which may be toxic. Take caution to prevent dust inhalation and skin contact. Follow material supplier safety data.**
8. **Do not stop the blades by lateral pressure on the saw blade.**
9. **Do not use any abrasive wheels.**
10. **Only use the saw blade with the diameter that is marked on the tool or specified in the manual.** Use of an incorrectly sized blade may affect the proper guarding of the blade or guard operation which could result in serious personal injury.
11. **Keep blade sharp and clean.** Gum and wood pitch hardened on blades slows saw and increases potential for kickback. Keep blade clean by first removing it from tool, then cleaning it with gum and pitch remover, hot water or kerosene. Never use gasoline.
12. **Wear a dust mask and hearing protection when use the tool.**
13. **Always use the saw blade intended for cutting the material that you are going to cut.**
14. **Only use the saw blades that are marked with a speed equal or higher than the speed marked on the tool.**
15. **(For European countries only) Always use the blade which conforms to EN847-1, if intended for wood and analogous materials.**
16. **Place the tool and the parts on a flat and stable surface.** Otherwise the tool or the parts may fall and cause an injury.

**SAVE THESE INSTRUCTIONS.**

**⚠WARNING:** DO NOT let comfort or familiarity with product (gained from repeated use) replace strict adherence to safety rules for the subject product. MISUSE or failure to follow the safety rules stated in this instruction manual may cause serious personal injury.

**Important safety instructions for battery cartridge**

1. **Before using battery cartridge, read all instructions and cautionary markings on (1) battery charger, (2) battery, and (3) product using battery.**
2. **Do not disassemble or tamper with the battery cartridge.** It may result in a fire, excessive heat,

or explosion.

3. **If operating time has become excessively shorter, stop operating immediately.** It may result in a risk of overheating, possible burns and even an explosion.
4. **If electrolyte gets into your eyes, rinse them out with clear water and seek medical attention right away.** It may result in loss of your eyesight.
5. **Do not short the battery cartridge:**
  - (1) **Do not touch the terminals with any conductive material.**
  - (2) **Avoid storing battery cartridge in a container with other metal objects such as nails, coins, etc.**
  - (3) **Do not expose battery cartridge to water or rain.**

A battery short can cause a large current flow, overheating, possible burns and even a breakdown.

6. **Do not store and use the tool and battery cartridge in locations where the temperature may reach or exceed 50 °C (122 °F).**
7. **Do not incinerate the battery cartridge even if it is severely damaged or is completely worn out.** The battery cartridge can explode in a fire.
8. **Do not nail, cut, crush, throw, drop the battery cartridge, or hit against a hard object to the battery cartridge.** Such conduct may result in a fire, excessive heat, or explosion.
9. **Do not use a damaged battery.**
10. **The contained lithium-ion batteries are subject to the Dangerous Goods Legislation requirements.**

For commercial transports e.g. by third parties, forwarding agents, special requirement on packaging and labeling must be observed.

For preparation of the item being shipped, consulting an expert for hazardous material is required. Please also observe possibly more detailed national regulations.

Tape or mask off open contacts and pack up the battery in such a manner that it cannot move around in the packaging.

11. **When disposing the battery cartridge, remove it from the tool and dispose of it in a safe place.** Follow your local regulations relating to disposal of battery.
12. **Use the batteries only with the products specified by Makita.** Installing the batteries to non-compliant products may result in a fire, excessive heat, explosion, or leak of electrolyte.
13. **If the tool is not used for a long period of time, the battery must be removed from the tool.**
14. **During and after use, the battery cartridge may take on heat which can cause burns or low temperature burns.** Pay attention to the handling of hot battery cartridges.
15. **Do not touch the terminal of the tool immediately after use as it may get hot enough to cause burns.**
16. **Do not allow chips, dust, or soil stuck into the terminals, holes, and grooves of the battery cartridge.** It may cause heating, catching fire,

burst and malfunction of the tool or battery cartridge, resulting in burns or personal injury.

17. **Unless the tool supports the use near high-voltage electrical power lines, do not use the battery cartridge near high-voltage electrical power lines.** It may result in a malfunction or breakdown of the tool or battery cartridge.
18. **Keep the battery away from children.**

## SAVE THESE INSTRUCTIONS.

**⚠ CAUTION:** Only use genuine Makita batteries. Use of non-genuine Makita batteries, or batteries that have been altered, may result in the battery bursting causing fires, personal injury and damage. It will also void the Makita warranty for the Makita tool and charger.

## Tips for maintaining maximum battery life

1. **Charge the battery cartridge before completely discharged. Always stop tool operation and charge the battery cartridge when you notice less tool power.**
2. **Never recharge a fully charged battery cartridge. Overcharging shortens the battery service life.**
3. **Charge the battery cartridge with room temperature at 10 °C - 40 °C (50 °F - 104 °F). Let a hot battery cartridge cool down before charging it.**
4. **When not using the battery cartridge, remove it from the tool or the charger.**
5. **Charge the battery cartridge if you do not use it for a long period (more than six months).**

## FUNCTIONAL DESCRIPTION

**⚠ CAUTION:** Always be sure that the tool is switched off and the battery cartridge is removed before adjusting or checking function on the tool.

## Installing or removing battery cartridge

**⚠ CAUTION:** Always switch off the tool before installing or removing of the battery cartridge.

**⚠ CAUTION:** Hold the tool and the battery cartridge firmly when installing or removing battery cartridge. Failure to hold the tool and the battery cartridge firmly may cause them to slip off your hands and result in damage to the tool and battery cartridge and a personal injury.

**⚠ CAUTION:** Do not use the battery adapter with the circular saw. The cable of the battery adapter may hinder the operation and result in personal injury.

► Fig.7: 1. Red indicator 2. Button 3. Battery cartridge

To remove the battery cartridge, slide it from the tool while sliding the button on the front of the cartridge.

To install the battery cartridge, align the tongue on the battery cartridge with the groove in the housing and slip it into place. Insert it all the way until it locks in place with a little click. If you can see the red indicator as shown in the figure, it is not locked completely.

**⚠ CAUTION:** Always install the battery cartridge fully until the red indicator cannot be seen. If not, it may accidentally fall out of the tool, causing injury to you or someone around you.

**⚠ CAUTION:** Do not install the battery cartridge forcibly. If the cartridge does not slide in easily, it is not being inserted correctly.

## Tool / battery protection system

The tool is equipped with a tool/battery protection system. This system automatically cuts off power to the motor to extend tool and battery life. The tool will automatically stop during operation if the tool or battery is placed under one of the following conditions.

### Overload protection

When the tool/battery is operated in a manner that causes it to draw an abnormally high current, the tool automatically stops. In this situation, turn the tool off and stop the application that caused the tool to become overloaded. Then turn the tool on to restart.

### Overheat protection

When the tool/battery is overheated, the tool stops automatically. In this situation, let the tool cool down before turning the tool on again.

### Overdischarge protection

When the battery capacity becomes low, the tool stops automatically. If the product does not operate even when the switches are operated, remove the batteries from the tool and charge the batteries.

## Indicating the remaining battery capacity

Press the check button on the battery cartridge to indicate the remaining battery capacity. The indicator lamps light up for a few seconds.

► **Fig.8:** 1. Indicator lamps 2. Check button

Indicator lamps			Remaining capacity
Lighted	Off	Blinking	
■	□	◐	75% to 100%
■	■	■	
■	■	□	50% to 75%
■	□	□	25% to 50%
■	□	□	0% to 25%

Indicator lamps			Remaining capacity
Lighted	Off	Blinking	
◐	□	□	Charge the battery.
■	■	□	The battery may have malfunctioned.
□	□	■	

**NOTE:** Depending on the conditions of use and the ambient temperature, the indication may differ slightly from the actual capacity.

**NOTE:** The first (far left) indicator lamp will blink when the battery protection system works.

## Automatic speed change function

This tool has "high speed mode" and "high torque mode".

The tool automatically changes the operation mode depending on the work load. When the work load is low, the tool will run in the "high speed mode" for quicker cutting operation. When the work load is high, the tool will run in the "high torque mode" for powerful cutting operation.

## Adjusting depth of cut

**⚠ CAUTION:** After adjusting the depth of cut, always tighten the lever securely.

Loosen the lever on the depth guide and move the base up or down. At the desired depth of cut, secure the base by tightening the lever.

For cleaner, safer cuts, set cut depth so that no more than one blade tooth projects below workpiece. Using proper cut depth helps to reduce potential for dangerous KICKBACKS which can cause personal injury.

► **Fig.9:** 1. Lever

## Bevel cutting

**⚠ CAUTION:** After adjusting the bevel angle, always tighten the lever securely.

Loosen the lever and set for the desired angle by tilting accordingly, then tighten the lever securely.

► **Fig.10:** 1. Lever

## Positive stopper

The positive stopper is useful for setting the designated angle quickly. Turn the positive stopper so that the arrow on it points your desired bevel angle (around 22.5°/45°/53°). Loosen the lever and then tilt the tool base until it stops. The position where the tool base stops is the angle you set with the positive stopper. Tighten the lever with the tool base at this position.

► **Fig.11:** 1. Positive stopper

## Sighting

For straight cuts, align the 0° position on the front of the base with your cutting line. For 45° bevel cuts, align the 45° position with it.

► **Fig.12:** 1. Cutting line (0° position) 2. Cutting line (45° position)

## Switch action

**⚠ WARNING:** Before installing the battery cartridge into the tool, always check to see that the switch trigger actuates properly and returns to the "OFF" position when released.

**⚠ WARNING:** NEVER defeat the lock-off button by taping down or some other means. A switch with a negated lock-off button may result in unintentional operation and serious personal injury.

**⚠ WARNING:** NEVER use the tool if it runs when you simply pull the switch trigger without pressing the lock-off button. A switch in need of repair may result in unintentional operation and serious personal injury. Return tool to a Makita service center for proper repairs BEFORE further usage.

**⚠ CAUTION:** The tool starts to brake the circular saw blade rotation immediately after you release the switch trigger. Hold the tool firmly to respond the reaction of the brake when releasing the switch trigger. Sudden reaction can drop the tool off your hand and can cause a personal injury.

To prevent the switch trigger from being accidentally pulled, a lock-off button is provided. To start the tool, depress the lock-off button and pull the switch trigger. Release the switch trigger to stop.

► **Fig.13:** 1. Switch trigger 2. Lock-off button

**NOTICE:** Do not pull the switch trigger hard without pressing in the lock-off button. This can cause switch breakage.

## Electric brake

This tool is equipped with an electric blade brake. If the tool consistently fails to quickly stop the circular saw blade after switch lever release, have tool serviced at a Makita service center.

**⚠ CAUTION:** The blade brake system is not a substitute for blade guard. NEVER USE TOOL WITHOUT A FUNCTIONING BLADE GUARD. SERIOUS PERSONAL INJURY CAN RESULT.

## Electronic function

The tools equipped with electronic function are easy to operate because of the following feature(s).

### Soft start feature

Soft start because of suppressed starting shock.

## ASSEMBLY

**⚠ CAUTION:** Always be sure that the tool is switched off and the battery cartridge is removed before carrying out any work on the tool.

## Offset wrench storage

When not in use, store the offset wrench as shown in the figure to keep it from being lost.

► **Fig.14:** 1. Offset wrench

## Installing and removing circular saw blade

**⚠ CAUTION:** Be sure the circular saw blade is installed with teeth pointing up at the front of the tool.

**⚠ CAUTION:** Use only the Makita offset wrench to install or remove the circular saw blade.

## Installing circular saw blade

**NOTE:** The circular saw blade may have already been installed at the time of shipment.

1. Press the shaft lock fully so that the mounting shaft cannot revolve and use the offset wrench to loosen the hex bolt. Then remove the hex bolt and outer flange.

► **Fig.15:** 1. Shaft lock 2. Offset wrench 3. Loosen 4. Tighten

2. Install the inner flange, ring (country specific), circular saw blade, outer flange and hex bolt. At this time, align the direction of the arrow on the blade with the arrow on the tool.

### For tool without the ring

► **Fig.16:** 1. Hex bolt 2. Outer flange 3. Circular saw blade 4. Arrow on the circular saw blade 5. Inner flange 6. Arrow on the tool

### For tool with the ring

► **Fig.17:** 1. Hex bolt 2. Outer flange 3. Circular saw blade 4. Arrow on the circular saw blade 5. Ring 6. Inner flange 7. Arrow on the tool

3. Press the shaft lock and tighten the hex bolt.

## For tool with the inner flange for other than 15.88 mm hole-diameter saw blade

The inner flange has a certain diameter protrusion on one side of it and a different diameter protrusion on the other side. Choose a correct side on which protrusion fits into the circular saw blade hole perfectly. Mount the inner flange onto the mounting shaft so that the correct side of protrusion on the inner flange faces outward and then place the circular saw blade and outer flange.

► **Fig.18:** 1. Mounting shaft 2. Inner flange 3. Circular saw blade 4. Outer flange 5. Hex bolt

**⚠WARNING: BE SURE TO TIGHTEN THE HEX BOLT COUNTERCLOCKWISE SECURELY. Also be careful not to tighten the bolt forcibly. Slipping your hand from the hex wrench can cause a personal injury.**

**⚠WARNING: Make sure that the protrusion "a" on the inner flange that is positioned outside fits into the saw blade hole "a" perfectly. Mounting the circular saw blade on the wrong side can result in the dangerous vibration.**

## For tool with the inner flange for a 15.88 mm hole-diameter saw blade (country specific)

Mount the inner flange with its recessed side facing outward onto the mounting shaft and then place circular saw blade (with the ring attached if needed), outer flange and hex bolt.

### For tool without the ring

► **Fig.19:** 1. Mounting shaft 2. Inner flange 3. Circular saw blade 4. Outer flange 5. Hex bolt

### For tool with the ring

► **Fig.20:** 1. Mounting shaft 2. Inner flange 3. Circular saw blade 4. Outer flange 5. Hex bolt 6. Ring

**⚠WARNING: BE SURE TO TIGHTEN THE HEX BOLT COUNTERCLOCKWISE SECURELY. Also be careful not to tighten the bolt forcibly. Slipping your hand from the hex wrench can cause a personal injury.**

**⚠WARNING: If the ring is needed to mount the circular saw blade onto the spindle, always be sure that the correct ring for the blade's arbor hole you intend to use is installed between the inner and the outer flanges. Use of the incorrect arbor hole ring may result in the improper mounting of the circular saw blade causing blade movement and severe vibration resulting in possible loss of control during operation and in serious personal injury.**

## Removing circular saw blade

1. Press the shaft lock fully so that the mounting shaft cannot revolve and use the offset wrench to loosen the hex bolt. Then remove the hex bolt, outer flange, circular saw blade and ring (country specific).
2. When storing the tool, install the outer flange and lightly tighten the hex bolt by hand to prevent loss.

## Blade guard cleaning

When changing the circular saw blade, make sure to also clean the upper and lower blade guards of accumulated sawdust as discussed in the Maintenance section. Such efforts do not replace the need to check lower guard operation before each use.

## Connecting a vacuum cleaner

### Optional accessory

**NOTE:** To prevent the rubber cap from being lost, store it on the front of the tool.

**NOTE:** When not using the vacuum cleaner, attach the rubber cap onto the dust nozzle.

Remove the rubber cap from the dust nozzle and connect the vacuum cleaner's hose.

► **Fig.21:** 1. Rubber cap

When you wish to perform clean cutting operation, connect a Makita vacuum cleaner to your tool. Connect a hose of the vacuum cleaner to the dust nozzle using the front cuff 24.

► **Fig.22:** 1. Hose of the vacuum cleaner 2. Front cuff 24 3. Dust nozzle 4. Rubber cap

## OPERATION

This tool is intended to cut wood products only.

Refer to our website or contact your local Makita dealer for the correct circular saw blades to be used for the material to be cut.

## Checking blade guard function

Remove the battery cartridge.

Set the bevel angle to 0°, and then retract the lower guard manually to the end and release it. The lower guard is properly functioning if;

- it is retracted above the base without any hindrance and;
- it automatically returns and contacts with the stopper.

► **Fig.23:** 1. Upper guard 2. Lower guard 3. Base 4. Stopper 5. Open 6. Close

If the lower guard is not functioning properly, check if saw dust is accumulated inside of the upper and lower guards. If the lower guard is not functioning properly even after removing dust, have your tool serviced at a Makita service center.

**⚠CAUTION: Wear dust mask when performing cutting operation.**

**⚠CAUTION: Be sure to move the tool forward in a straight line gently. Forcing or twisting the tool will result in overheating the motor and dangerous kickback, possibly causing severe injury.**

**NOTE:** When the battery cartridge temperature is low, the tool may not work to its full capacity. At this time, for example, use the tool for a light-duty cut for a while until the battery cartridge warms up as high as room temperature. Then, the tool can work to its full capacity.

► **Fig.24**

Hold the tool firmly. The tool is provided with both a front grip and rear handle. Use both to best grasp the tool. If both hands are holding saw, they cannot be cut by the circular saw blade. Set the base on the workpiece

to be cut without the circular saw blade making any contact. Then turn the tool on and wait until the circular saw blade attains full speed. Now simply move the tool forward over the workpiece surface, keeping it flat and advancing smoothly until the sawing is completed.

To get clean cuts, keep your sawing line straight and your speed of advance uniform. If the cut fails to properly follow your intended cut line, do not attempt to turn or force the tool back to the cut line. Doing so may bind the circular saw blade and lead to dangerous kickback and possible serious injury. Release switch, wait for circular saw blade to stop and then withdraw tool. Realign tool on new cut line, and start cut again. Attempt to avoid positioning which exposes operator to chips and wood dust being ejected from saw. Use eye protection to help avoid injury.

## Hook

**⚠ CAUTION:** Always remove the battery when hanging the tool with the hook.

**⚠ CAUTION:** Never hook the tool at high locations or on the surfaces where the tool may lose the balance and fall. Otherwise falling accident may occur and cause serious injury.

**⚠ CAUTION:** Do not pull the tool downward when it is hooked.

**⚠ CAUTION:** Use the hanging/mounting parts for their intended purposes only. Using for unintended purpose may cause accident or personal injury.

The hook is convenient for hanging the tool temporarily. To use the hook, simply lift up hook until it snaps into the open position.

When not in use, always lower hook until it snaps into the closed position.

► Fig.25: 1. Hook 2. Open position 3. Closed position

► Fig.26

## Rip fence (Guide rule)

### Optional accessory

The handy rip fence allows you to do extra-accurate straight cuts. Simply slide the rip fence up snugly against the side of the workpiece and secure it in position with the clamping screw on the front of the base. It also makes repeated cuts of uniform width possible.

► Fig.27: 1. Rip fence (Guide rule) 2. Clamping screw

## Lanyard (tether strap) connection

**⚠ Safety warnings specific for use at height**  
Read all safety warnings and instructions. Failure to follow the warnings and instructions may result in serious injury.

1. **Always keep the tool tethered when working "at height".** Maximum lanyard length is 2 m (6.5 ft).  
The maximum permissible fall height for lanyard (tether strap) must not exceed 2 m (6.5 ft).
2. **Use only with lanyards appropriate for this tool type and rated for at least 7.0 kg (15.4 lbs).**
3. **Do not anchor the tool lanyard to anything on**

**your body or on movable components. Anchor the tool lanyard to a rigid structure that can withstand the forces of a dropped tool.**

4. **Make sure the lanyard is properly secured at each end prior to use.**
5. **Inspect the tool and lanyard before each use for damage and proper function (including fabric and stitching). Do not use if damaged or not functioning properly.**
6. **Do not wrap lanyards around or allow them to come in contact with sharp or rough edges.**
7. **Fasten the other end of the lanyard outside the working area so that a falling tool is held securely.**
8. **Attach the lanyard so that the tool will move away from the operator if it falls.** Dropped tools will swing on the lanyard, which could cause injury or loss of balance.
9. **Do not use near moving parts or running machinery.** Failure to do so may result in a crush or entanglement hazard.
10. **Do not carry the tool by the attachment device or the lanyard.**
11. **Only transfer the tool between your hands while you are properly balanced.**
12. **Do not attach lanyards to the tool in a way that keeps guards, switches or lock-offs from operating properly.**
13. **Avoid getting tangled in the lanyard.**
14. **Keep lanyard away from the cutting area of the tool.**
15. **Use multi-action and screw gate type carabineers. Do not use single action spring clip carabineers.**
16. **In the event the tool is dropped, it must be tagged and removed from service, and should be inspected by a Makita Factory or Authorized Service Center.**

► Fig.28: 1. Hole for lanyard (tether strap)

## MAINTENANCE

**⚠ CAUTION:** Always be sure that the tool is switched off and the battery cartridge is removed before attempting to perform inspection or maintenance.

**⚠ CAUTION:** Clean out the upper and lower guards to ensure there is no accumulated sawdust which may impede the operation of the lower guarding system. A dirty guarding system may limit the proper operation which could result in serious personal injury. The most effective way to accomplish this cleaning is with compressed air. **If the dust is being blown out of the guards, be sure the proper eye and breathing protection is used.**

**⚠ CAUTION:** After each use, wipe off the saw dust on the tool. Fine saw dust may come inside the tool and cause malfunction or a fire.

**NOTICE:** Never use gasoline, benzine, thinner, alcohol or the like. Discoloration, deformation or cracks may result.

To maintain product SAFETY and RELIABILITY, repairs, any other maintenance or adjustment should be performed by Makita Authorized or Factory Service Centers, always using Makita replacement parts.

## Adjusting 0°-cut accuracy

This adjustment has been made at the factory. But if it is off, you can adjust it as the following procedure.

1. Slightly loosen the lever on the bevel scale plate.
2. Make the base perpendicular to the blade using a triangular rule or square rule by turning the adjusting screw.

► **Fig.29:** 1. Triangular rule 2. Adjusting screw

3. Tighten the lever and then make a test cut to check the verticalness.

## OPTIONAL ACCESSORIES

**⚠ CAUTION:** These accessories or attachments are recommended for use with your Makita tool specified in this manual. The use of any other accessories or attachments might present a risk of injury to persons. Only use accessory or attachment for its stated purpose.

If you need any assistance for more details regarding these accessories, ask your local Makita Service Center.

- Circular saw blade
- Offset wrench
- Rip fence (Guide rule)
- Front cuff 24
- Makita genuine battery and charger

**NOTE:** Some items in the list may be included in the tool package as standard accessories. They may differ from country to country.

## DANE TECHNICZNE

<b>Model:</b>		<b>RS001G</b>
Średnica tarczy		185 mm
Maks. głębokość cięcia	pod kątem 0°	65 mm
	pod kątem 45° w pionie	45 mm
	pod kątem 53° w pionie	38 mm
Prędkość bez obciążenia		6 400 min <sup>-1</sup>
Długość całkowita		446 mm
Napięcie znamionowe		Prąd stały 36 V–40 V maks.
Ciężar netto		5,0–6,2 kg

- W związku ze stałe prowadzonym przez naszą firmę programem badawczo-rozwojowym niniejsze dane mogą ulec zmianom bez wcześniejszego powiadomienia.
- Dane techniczne mogą różnić się w zależności od kraju.
- Masa może być różna w zależności od osprzętu, w tym akumulatora. W tabeli przedstawiona jest najlżejsza i najcięższa konfiguracja, zgodnie z procedurą EPTA 01/2014.

## Kompatybilne akumulatory i ładowarki

Akumulator	BL4020 / BL4025 / BL4040* / BL4040F* / BL4050F* / BL4080F* *: Zalecany akumulator
Ładowarka	DC40RA / DC40RB / DC40RC

- Pewne z wymienionych powyżej akumulatorów i ładowarek mogą być niedostępne w regionie zamieszkania użytkownika.

**⚠ OSTRZEŻENIE:** Należy używać wyłącznie akumulatorów i ładowarek wymienionych powyżej. Używanie innych akumulatorów i ładowarek może stwarzać ryzyko wystąpienia obrażeń ciała lub pożaru.

## Przeznaczenie

Narzędzie przeznaczone jest do wykonywania wzdłużnych i poprzecznych cięć prostych oraz cięć pod kątem w drewnie, gdy spoczywa ono pewnie na obrabianym elemencie.

## Hałas

Typowy równoważny poziom dźwięku A określony w oparciu o normę EN62841-2-5:

Poziom ciśnienia akustycznego ( $L_{pA}$ ): 95 dB(A)

Poziom mocy akustycznej ( $L_{WA}$ ): 103 dB (A)

Niepewność (K): 3 dB(A)

**WSKAZÓWKA:** Deklarowana wartość emisji hałasu została zmierzona zgodnie ze standardową metodą testową i można ją wykorzystać do porównywania narzędzi.

**WSKAZÓWKA:** Deklarowaną wartość emisji hałasu można także wykorzystać we wstępnej ocenie narażenia.

**⚠ OSTRZEŻENIE:** Nosić ochronniki słuchu.

**⚠ OSTRZEŻENIE:** Poziom hałasu wytwarzanego podczas rzeczywistych użytkowania elektronarzędzia może się różnić od wartości deklarowanej w zależności od sposobu użytkowania narzędzia, a w szczególności od rodzaju obrabianego elementu.

**⚠ OSTRZEŻENIE:** W oparciu o szacowane narażenie w rzeczywistych warunkach użytkowania należy określić środki bezpieczeństwa w celu zapewnienia ochrony operatora (uwzględniając wszystkie elementy cyklu działania, tj. czas, kiedy narzędzie jest wyłączone i kiedy pracuje na biegu jałowym, a także czas, kiedy jest włączone).

## Drgania

Całkowita wartość poziomu drgań (suma wektorów w 3 osiach) określona zgodnie z normą EN62841-2-5:

Tryb pracy: Cięcie drewna

Emisja drgań ( $a_{h,W}$ ): 2,5 m/s<sup>2</sup> lub mniej

Niepewność (K): 1,5 m/s<sup>2</sup>

**WSKAZÓWKA:** Deklarowana wartość poziomu drgań została zmierzona zgodnie ze standardową metodą testową i można ją wykorzystać do porównywania narzędzi.

**WSKAZÓWKA:** Deklarowaną wartość poziomu drgań można także wykorzystać we wstępnej ocenie narażenia.

**⚠️ OSTRZEŻENIE:** Drgania wytwarzane podczas rzeczywistego użytkowania elektronarzędzia mogą się różnić od wartości deklarowanej w zależności od sposobu użytkowania narzędzia, a w szczególności od rodzaju obrabianego elementu.

**⚠️ OSTRZEŻENIE:** W oparciu o szacowane narażenie w rzeczywistych warunkach użytkowania należy określić środki bezpieczeństwa w celu zapewnienia ochrony operatora (uwzględniając wszystkie elementy cyklu działania, tj. czas, kiedy narzędzie jest włączone i kiedy pracuje na biegu jałowym, a także czas, kiedy jest włączone).

## Deklaracje zgodności

### *Dotyczy tylko krajów europejskich*

Deklaracje zgodności są dołączone jako załącznik A do niniejszej instrukcji obsługi.

# OSTRZEŻENIA DOTYCZĄCE BEZPIECZEŃSTWA

## Ogólne zasady bezpiecznej eksploatacji elektronarzędzi

**⚠️ OSTRZEŻENIE** Należy zapoznać się z wszystkimi ostrzeżeniami dotyczącymi bezpieczeństwa, instrukcjami, ilustracjami i danymi technicznymi dołączonymi do tego elektronarzędzia. Niezastosowanie się do wszystkich podanych poniżej instrukcji może prowadzić do porażenia prądem elektrycznym, pożaru i/lub poważnych obrażeń ciała.

## Wszystkie ostrzeżenia i instrukcje należy zachować do wykorzystania w przyszłości.

Pojęcie „elektonarzędzie”, występujące w wymienionych tu ostrzeżeniach, odnosi się do elektronarzędzia zasilanego z sieci elektrycznej (z przewodem zasilającym) lub do elektronarzędzia akumulatorowego (bez przewodu zasilającego).

## Ostrzeżenia dotyczące bezpieczeństwa dla akum. ręcznej pilarki tarczowej

### Procedury cięcia

1. **⚠️ NIEBEZPIECZEŃSTWO:** Trzymać ręce z dala od obszaru cięcia oraz tarczy. Drugą dłoń trzymać na dodatkowym uchwycie lub na obu-dowie silnika. Jeśli obie dłonie trzymają pilarkę, nie mogą zostać przecięte przez tarczę.
  2. **Nie wolno sięgać rękoma pod spód obrabianego elementu.** Osłona nie chroni użytkownika przed tarczą wychodzącą spod spodu obrabianego elementu.
  3. **Głębokość cięcia należy dostosować do grubości obrabianego elementu.** Spód spodu obrabianego elementu może wystawać najwyżej niecały ząb tarczy.
  4. **Obrabianego elementu nie wolno trzymać w rękach ani na nogach. Obrabiany element należy przymocować do stabilnej podstawy.** Prawidłowe podparcie elementu jest istotne, ponieważ minimalizuje zagrożenia dla operatora i ryzyko zakleszczenia się tarczy oraz utraty kontroli.
- Rys.1
5. **Trzymać elektronarzędzie za izolowane powierzchnie rękocyfki podczas wykonywania prac, przy których narzędzie tnące może dotknąć niewidocznej instalacji elektrycznej.** Zetknięcie z przewodem elektrycznym znajdującym się pod napięciem spowoduje, że odsonięte metalowe elementy narzędzia również znajdą się pod napięciem, grożąc porażeniem operatora prądem elektrycznym.
  6. **Podczas cięcia wzdłużnego należy zawsze stosować prowadnicę wzdłużną lub szynę prowadzącą.** Zwiększa to dokładność cięcia i zmniejsza prawdopodobieństwo zakleszczenia tarczy.
  7. **Zawsze należy używać tarcz o prawidłowym rozmiarze i kształcie (romb lub koło) otworu na wałek.** Tarcze, które nie pasują do osprzętu do ich montażu w narzędziu, będą obracać się mimośrodowo, powodując utratę kontroli.
  8. **Nie wolno używać uszkodzonych ani niewłaściwych podkładek i śrub do mocowania tarczy.** Podkładki i śruby do mocowania tarczy zostały zaprojektowane specjalnie dla opisywanego narzędzia w celu zapewnienia jego optymalnego działania i bezpieczeństwa obsługi.

### Przyczyny odrzutu i związane z tym ostrzeżenia:

- odrzut stanowi nagłą reakcję zakleszczonej, zablokowanej lub wygiętej tarczy, polegającą na niekontrolowanym uniesieniu pilarki w górę i wyrzuceniu jej z obrabianego elementu w kierunku operatora;
- gdy w skutek zaciskania się lub zablokowania materiału z obu stron rządu tarcza zakleszczy się, wówczas reakcja silnika spowoduje gwałtowne wypchnięcie urządzenia w tył w kierunku operatora;
- jeśli podczas cięcia prowadzona w materiale tarcza zostanie skręcona lub wygięta, zęby znajdujące się na jej tylnej krawędzi mogą wkuć się w górną powierzchnię drewna, wypychając tarczę z rządu i powodując odskoczenie narzędzia do tyłu w kierunku operatora.

Odrzut jest wynikiem nieprawidłowego używania pilarki i/lub niewłaściwych procedur lub warunków jej obsługi.

Można tego uniknąć, podejmując odpowiednie środki ostrożności, które podano poniżej.

1. **Przez cały czas pilarkę należy trzymać mocno oburącz, ustawiając ręce w taki sposób, aby przeciwdziałać siłom odrzutu. Nie wolno stawać na linii tarczy, lecz po jednej albo po drugiej jej stronie.** Odrzut może spowodować odskoczenie pilarki w tył. Operator może jednak kontrolować siły odrzutu, jeśli zostaną podjęte odpowiednie środki ostrożności.
  2. **W przypadku zakleszczenia się tarczy lub przerwania operacji cięcia z jakiegokolwiek powodu należy zwolnić spust przełącznika, trzymając pilarkę w materiale do momentu całkowitego zatrzymania się tarczy. Nie wolno wyciągać ani wycofywać pilarki z przecina- nego elementu, gdy tarcza znajduje się w ruchu, bowiem w przeciwnym razie może wystąpić odrzut.** Zbadać przyczynę zakleszcza- nia się tarczy i podjąć stosowne działanie, aby wyeliminować problem.
  3. **Przed ponownym uruchomieniem pilarki znajdującej się w obrabianym elemencie należy ustawić tarczę tnącą w środku rzazu tak, żeby zęby tarczy nie były wbite w materiał.** Jeśli tarcza tnąca zablokuje się, wówczas w momencie uruchomienia pilarki może zostać wypchnięta ku górze albo wystąpi odrzut.
  4. **Duże płyty należy podierać, aby zminimalizować ryzyko zakleszczenia się tarczy i odrzutu.** Duże płyty mają tendencję do wyginania się pod własnym ciężarem. Podpory muszą być ustawione pod płytą w sąsiedztwie linii cięcia po obu jej stronach oraz w pobliżu końców płyty.
- Rys.2
- Rys.3
5. **Nie wolno używać tępych ani uszkodzonych tarcz.** Nienaostrzone lub niewłaściwie założone tarcze dają wąski rżaz, który jest przyczyną nadmiernego tarcia, zakleszczania się tarczy i odrzutów.
  6. **Dźwignie blokujące regulacji głębokości tarczy i kąta muszą być dobrze dokręcone i zaciśnięte przed przystąpieniem do cięcia.** Jeśli ustawienie tarczy zmienia się podczas cięcia, może spowodować zakleszczenie się tarczy i odrzut narzędzia.
  7. **Należy zachować szczególną ostrożność w przypadku wykonywania cięcia w ścianach bądź innych zakrytych powierzchniach.** Wystająca tarcza może przeciąć niewidoczne elementy, które z kolei mogą wywołać odrzut.
  8. **Narzędzie należy ZAWSZE trzymać mocno oburącz. Nie wolno NIGDY trzymać rąk, nóg ani innych części ciała pod podstawą narzędzia ani za nim, zwłaszcza podczas wykonywa- nia cięć poprzecznych.** W przypadku wystąpie- nia odrzutu pilarka może z łatwością odskoczyć w tył, przesuując się po ręce, powodując poważne obrażenia.
- Rys.4
9. **Pilarkę należy prowadzić bez używania nadmiernej siły. Pilarkę należy popychać do przodu z prędkością, przy której tarcza nie zwalnia podczas cięcia.** Popychanie z nadmierną siłą może bowiem powodować

powstawanie nierównych rżazów, prowadzić do utraty precyzji cięcia i stwarzać możliwość odrzutu.

## Funkcja osłony

1. **Każdorazowo przed użyciem sprawdzić, czy dolna osłona prawidłowo się zamyka. Nie uruchamiać pilarki, jeśli dolna osłona nie przesuwą się swobodnie lub zamyka się z opóźnieniem. Nie wolno w żadnym wypadku przywiązywać dolnej osłony ani w inny sposób jej unieruchamiać w pozycji otwartej.** Jeśli narzędzie przypadkowo upadnie, dolna osłona może ulec wygięciu. W takim przypadku unieść dolną osłonę za pomocą uchwytu cofania i upewnić się, że osłona przesuwą się swobodnie i nie dotyka tarczy ani innego elementu przy wszystkich ustawieniach kąta i głębokości cięcia.
2. **Sprawdź działanie sprężyny dolnej osłony. Jeśli osłona i sprężyna nie działają prawidłowo, wówczas przed użyciem narzędzia należy zlecić ich naprawę.** Dolna osłona może przesuwac się z oporami wskutek uszkodzonych elementów, osadów żywicy oraz nagromadzonych zabrudzeń.
3. **Dolną osłonę wolno cofać ręcznie tylko w przypadku specjalnych cięć, takich jak „cięcia wgłębne” i „cięcia złożone”.** Unieść dolną osłonę za pomocą uchwytu cofania i, gdy tylko tarcza wejdzie w materiał, zwolnić ją. W przy- padku pozostałych operacji cięcia dolna osłona powinna działać w sposób automatyczny.
4. **Przed odłożeniem narzędzia na stół lub pod- łogę należy zwrócić uwagę, czy dolna osłona zasłania tarczę.** Nieosłonięta tarcza, obracająca się siłą rozpędu, spowoduje ruch narzędzia do tyłu, które będzie cięło wszystko, co napotka na swojej drodze. Należy mieć świadomość, że od momentu zwolnienia przełącznika do chwili zatrzy- mania się tarczy upływa pewien czas.
5. **W celu skontrolowania dolnej osłony należy ją otworzyć ręką, a następnie zwolnić, obserwując, w jaki sposób się zamyka. Należy również sprawdzić, czy uchwyt cofania nie dotyka obudowy narzędzia.** Odsłonięta tarcza stanowi BARDZO DUŻE NIEBEZPIECZENSTWO i może prowadzić do poważnych obrażeń ciała.

## Dodatkowe ostrzeżenia dotyczące bezpieczeństwa

1. **W przypadku cięcia wilgotnego drewna, impregnowanej ciśnieniowo tarczy lub drewna z sękami należy zachować szczególną ostroż- ność.** Utrzymywać jednostajny ruch posuwisty narzędzia bez zmniejszania prędkości obrotowej tarczy w celu uniknięcia przegrzania się zębów piły.
2. **Nie wolno usuwać przeciętego materiału, gdy tarcza jest w ruchu. Przed chwyceniem prze- ciętego materiału należy odczekać, aż tarcza zatrzyma się.** Po wyłączeniu tarcze dalej obracają się siłą rozpędu.
3. **Należy unikać cięcia gwoździ. Przed przystą- pieniem do cięcia należy skontrolować tarcicę i usunąć z niej wszystkie gwoździe.**
4. **Podstawę pilarki umieścić po tej stronie obra- bianego elementu, która jest dobrze podparta, a nie po tej, która odpadnie w momencie**

przecięcia. Jeśli obrabiany element jest krótki lub ma niewielkie rozmiary, należy go unieruchomić. **NIE WOLNO PRZYTRZYMYWAĆ KRÓTKICH ELEMENTÓW RĘKĄ!**

► Rys.5

5. Przed odłożeniem narzędzia po zakończonej operacji cięcia należy upewnić się, czy osłona zamknęła się oraz czy tarcza całkowicie się zatrzymała.
6. Nie wolno podejmować prób cięcia pilarką zamocowaną do góry nogami w imadle. Jest to wyjątkowo niebezpieczne i może prowadzić do poważnych wypadków.

► Rys.6

7. Niektóre materiały zawierają substancje chemiczne, które mogą być toksyczne. Unikać wdychania pyłu i kontaktu ze skórą. Przestrzegać przepisów bezpieczeństwa podanych przez dostawcę materiałów.
8. Nie wolno zatrzymywać tarczy, wywierając na nią poprzeczny nacisk.
9. Nie wolno używać tarcz ściernych.
10. Używać wyłącznie tarczy o średnicy oznaczonej na narzędziu lub określonej w instrukcji. Korzystanie z tarczy o nieodpowiednim rozmiarze może uniemożliwić prawidłowe zabezpieczenie tarczy lub zakłócić działanie osłony, co może skutkować odniesieniem poważnych obrażeń ciała.
11. Tarcza powinna być zawsze naostrzona i czysta. Stwardniała żywica i smoła drzewna na tarczach spowalniają ruch obrotowy pilarki i zwiększają ryzyko odrzutu. Tarcza powinna być zawsze czysta. W celu oczyszczenia tarczy należy ją najpierw zdjąć z narzędzia, następnie oczyścić zmywaczem do żywicy i smoły, gorącą wodą lub naftą. Nie wolno stosować benzyny.
12. Do pracy należy zakładać maskę przeciwpyłową oraz ochronniki słuchu.
13. Zawsze używać tarczy tnącej przeznaczonej do cięcia materiału, który ma być cięty.
14. Stosować wyłącznie tarcze tnące z oznaczeniem prędkości równej lub wyższej niż wartość prędkości oznaczonej na narzędziu.
15. (Dotyczy tylko krajów europejskich) W przypadku pracy z drewnem lub podobnymi materiałami zawsze używać tarczy zgodnej z normą EN847-1.
16. Umieścić narzędzie i części na płaskiej i stabilnej powierzchni. W przeciwnym razie narzędzie lub części mogą spaść i spowodować obrażenia ciała.

## ZACHOWAĆ NINIEJSZĄ INSTRUKCJĘ.

**▲ OSTRZEŻENIE:** NIE WOLNO pozwolić, aby wygoda lub rutyna (nabyta w wyniku wielokrotnego używania urządzenia) zastąpiły ściśle przestrzeganie zasad bezpieczeństwa obsługi. **NIEWŁAŚCIWE UŻYTKOWANIE** narzędzia lub niestosowanie się do zasad bezpieczeństwa podanych w niniejszej instrukcji obsługi może prowadzić do poważnych obrażeń ciała.

## Ważne zasady bezpieczeństwa dotyczące akumulatora

1. Przed użyciem akumulatora zapoznać się ze wszystkimi instrukcjami i znakami ostrzegawczymi na (1) ładowarce, (2) akumulatorze i (3) produkcie, w którym będzie używany akumulator.
2. Nie rozmontowywać ani modyfikować akumulatora. Może to spowodować pożar, przegrzanie lub wybuch.
3. Jeśli czias działania uległ znacznemu skróceniu, należy natychmiast przerwać pracę. Może bowiem dojść do przegrzania, ewentualnych poparzeń, a nawet eksplozji.
4. W przypadku przedostania się elektrolitu do oczu, przemyć je czystą wodą i niezwłocznie uzyskać pomoc lekarską. Może on bowiem spowodować utratę wzroku.
5. Nie doprowadzać do zwarcia akumulatora:
  - (1) Nie dotykać styków materiałami przewodzącymi prąd.
  - (2) Unikać przechowywania akumulatora w pojemniku z metalowymi przedmiotami, takimi jak gwoździe, monety itp.
  - (3) Chronić akumulator przed deszczem lub wodą.Zwarcie prowadzi do przepływu prądu elektrycznego o dużym natężeniu i przegrzania akumulatora, co w konsekwencji może grozić poparzeniami a nawet awarią urządzenia.
6. Narzędzia i akumulatora nie wolno przechowywać ani używać w miejscach, w których temperatura osiąga bądź przekracza 50°C (122°F).
7. Akumulatorów nie wolno spalać, również tych poważnie uszkodzonych lub całkowicie zużytych. Akumulator może eksplodować w ogniu.
8. Nie należy przecinać ani zginać akumulatora, wbijać w niego gwoździ, rzucać nim, upuszczać, ani uderzać akumulatorem o twarde obiekty. Takie działanie może spowodować pożar, przegrzanie lub wybuch.
9. Nie wolno używać uszkodzonego akumulatora.
10. Stanowiące wyposażenie akumulatory litojonowe podlegają przepisom dotyczącym produktów niebezpiecznych.

Na potrzeby transportu komercyjnego, np. świadczanego przez firmy trzecie czy spedycyjne, należy przestrzegać specjalnych wymagań w zakresie pakowania i oznaczania etykietami. Przygotowanie produktu do wysyłki wymaga skonsultowania się ze specjalistą ds. materiałów niebezpiecznych. Należy także przestrzegać przepisów krajowych, które mogą być bardziej szczegółowe. Zakleić taśmą lub zaślepić otwarte styki akumulatora oraz zabezpieczyć go, aby nie mógł się przesuwać w opakowaniu.
11. Jeśli zajdzie konieczność utylizacji akumulatora, należy wyjąć go z narzędzia i przekazać w bezpieczne miejsce. Postępować zgodnie z przepisami lokalnymi dotyczącymi utylizacji akumulatorów.
12. Używać akumulatorów tylko z produktami

określonymi przez firmę Makita. Zastosowanie akumulatorów w niezgodnych produktach może spowodować pożar, przegrzanie, wybuch lub wyciek elektrolitu.

13. Jeśli narzędzie nie będzie używane przez dłuższy czas, należy wyjąć z niego akumulator.
14. Przed użyciem akumulatora i po jego użyciu akumulator może pozostawać nagrany, co może spowodować poparzenia lub poparzenia w niskiej temperaturze. Z gorącym akumulatorem należy obchodzić się ostrożnie.
15. Nie należy dotykać styku narzędzia bezpośrednio po jego użyciu, ponieważ może on być na tyle gorący, że spowoduje oparzenia.
16. Nie należy dopuszczać, aby wióry, kurz lub brud gromadziły się na stykach, w otworach i rowkach akumulatora. Może to doprowadzić do przegrzania, pożaru, wybuchu lub uszkodzenia narzędzia lub akumulatora, co może spowodować oparzenia lub obrażenia ciała.
17. Jeśli narzędzie nie jest przeznaczone do użytku w pobliżu linii wysokiego napięcia, nie należy korzystać z akumulatora w ich sąsiedztwie. Może to spowodować nieprawidłowości w działaniu lub uszkodzenie narzędzia lub akumulatora.
18. Przechowywać akumulator w miejscu niedostępnym dla dzieci.

## ZACHOWAĆ NINIEJSZE INSTRUKCJE.

**⚠ PRZESTROGA:** Używać wyłącznie oryginalnych akumulatorów firmy Makita. Używanie nieoryginalnych akumulatorów firm innych niż Makita lub akumulatorów, które zostały zmodyfikowane, może spowodować wybuch akumulatora i pożar, obrażenia ciała oraz zniszczenie mienia. Stanowi to również naruszenie warunków gwarancji firmy Makita dotyczących narzędzia i ładowarki.

## Wskazówki dotyczące zachowania maksymalnej trwałości akumulatora

1. Akumulator należy naładować zanim zostanie do końca rozładowany. Po zauważeniu spadku mocy narzędzia należy przerwać pracę i naładować akumulator.
2. Nie wolno ładować powtórnie w pełni naładowanego akumulatora. Przeładowanie akumulatora skraca jego trwałość.
3. Akumulator należy ładować w temperaturze pokojowej w przedziale 10–40°C (50–104°F). W przypadku gorącego akumulatora przed przystąpieniem do ładowania należy poczekać, aż ostygnie.
4. Jeśli akumulator nie jest używany, należy go wyjąć z narzędzia lub ładowarki.
5. Akumulatory niklowo-wodorkowe należy naładować po okresie długiego nieużytkowania (dłuższego niż sześć miesięcy).

## OPIS DZIAŁANIA

**⚠ PRZESTROGA:** Przed przystąpieniem do regulacji lub przeglądu narzędzia upewnić się, że jest ono wyłączone, a akumulator został wyjęty.

## Wkładanie i wyjmowanie akumulatora

**⚠ PRZESTROGA:** Przed włożeniem lub wyjęciem akumulatora należy zawsze wyłączyć narzędzie.

**⚠ PRZESTROGA:** Podczas wkładania lub wyjmowania akumulatora należy mocno trzymać narzędzie i akumulator. W przeciwnym razie mogą się one wyślizgnąć z rąk, powodując uszkodzenie narzędzia lub akumulatora i obrażenia ciała.

**⚠ PRZESTROGA:** Nie używać adaptera akumulatora z ręczną pilarką tarczową. Kabel adaptera akumulatora może utrudniać pracę i spowodować obrażenia ciała.

- **Rys.7:** 1. Czerwony wskaźnik 2. Przycisk 3. Akumulator

Aby wyjąć akumulator, przesunąć przycisk znajdujący się w przedniej jego części i wysunąć akumulator.

Aby włożyć akumulator, wyrównać występ na akumulatorze z rowkiem w obudowie i wsunąć go na swoje miejsce. Akumulator należy wsunąć do oporu, aż się zatrzaśnie na miejscu, co jest sygnalizowane delikatnym kliknięciem. Jeśli jest widoczny czerwony wskaźnik pokazany na rysunku, akumulator nie został całkowicie zablokowany.

**⚠ PRZESTROGA:** Akumulator należy włożyć do końca, tak aby czerwony wskaźnik nie był widoczny. W przeciwnym razie może przypadkowo wypaść z narzędzia, powodując obrażenia operatora lub osób postronnych.

**⚠ PRZESTROGA:** Nie wkładać akumulatora na siłę. Jeśli akumulator nie daje się swobodnie wsunąć, oznacza to, że został włożony nieprawidłowo.

## Układ zabezpieczenia narzędzia/akumulatora

Narzędzie jest wyposażone w układ zabezpieczenia narzędzia/akumulatora. Układ automatycznie odcina zasilanie silnika w celu wydłużenia trwałości narzędzia i akumulatora. Narzędzie zostanie automatycznie zatrzymane podczas pracy w następujących sytuacjach związanych z narzędziem lub akumulatorem. Niektóre sytuacje zostaną wskazane poprzez włączenie się odpowiednich wskaźników.

## Zabezpieczenie przed przeciążeniem

W przypadku użytkowania narzędzia/akumulatora w sposób powodujący nadmiernie wysoki pobór prądu narzędzie zostanie automatycznie zatrzymane. W takiej sytuacji należy wyłączyć narzędzie i zaprzestać wykonywania czynności powodującej jego przeciążenie. Następnie należy włączyć narzędzie w celu ponownego

uruchomienia.

## Zabezpieczenie przed przegrzaniem

W przypadku przegrzania narzędzia/akumulatora narzędzie wyłączy się automatycznie. W takiej sytuacji przed ponownym włączeniem należy poczekać, aż narzędzie ostygnie.

## Zabezpieczenie przed nadmiernym rozładowaniem

Gdy poziom naładowania akumulatora spadnie, narzędzie zostanie automatycznie zatrzymane. Jeśli produkt nie działa pomimo włączenia przełączników, należy wyjąć akumulatory z narzędzia i naładować je.

### Wskazanie stanu naładowania akumulatora

Nacisnąć przycisk kontrolny na akumulatorze w celu wyświetlenia stanu naładowania akumulatora. Lampki wskaźnika zaświecą się przez kilka sekund.

► **Rys.8:** 1. Lampki wskaźnika 2. Przycisk kontrolny

Lampki wskaźnika			Pozostała energia akumulatora
Świeci się	Wyłączony	Miga	
■	□	▧	
■ ■ ■ ■			75–100%
■ ■ ■ □			50–75%
■ ■ □ □			25–50%
■ □ □ □			0–25%
▧ □ □ □			Naładować akumulator.
■ ■ □ □			Akumulator może nie działać poprawnie.
□ □ ■ ■	↑ ↓		

**WSKAZÓWKA:** Zależnie od warunków użytkowania i temperatury otoczenia, wskazany poziom może nieznacznie się różnić od rzeczywistego stanu naładowania akumulatora.

**WSKAZÓWKA:** Pierwsza (skrajnie po lewej stronie) lampka wskaźnika miga, gdy układ zabezpieczenia akumulatora jest aktywny.

### Funkcja automatycznej zmiany prędkości

Narzędzie to może pracować w „trybie wysokiej prędkości” oraz w „trybie wysokiego momentu”.

Narzędzie zmienia automatycznie tryb pracy w zależności od jego obciążenia. Przy niskim obciążeniu narzędzie będzie działać w „trybie wysokiej prędkości” i ciąć szybciej. Przy wysokim obciążeniu narzędzie będzie działać w „trybie wysokiego momentu” i ciąć z większą mocą.

## Regulacja głębokości cięcia

**▲PRZESTROGA:** Po zakończeniu regulacji głębokości cięcia należy zawsze dobrze docisnąć dźwignię.

Poluzować dźwignię na prowadnicy głębokości i przesunąć podstawę w górę lub w dół. Po ustawieniu żądanej głębokości cięcia zablokować podstawę, dociskając dźwignię.

Głębokość cięcia powinna być ustawiona w taki sposób, aby spod spodu obrabianego elementu nie wystawał więcej niż jeden ząb tarczy, co zapewni czystsze i bezpieczniejsze cięcie. Stosowanie prawidłowego ustawienia głębokości cięcia zmniejsza ryzyko niebezpiecznych ODRZUTÓW, które grożą obrażeniami ciała.

► **Rys.9:** 1. Dźwignia

## Cięcie pod kątem w pionie

**▲PRZESTROGA:** Po zakończeniu regulacji kąta cięcia w pionie należy zawsze dobrze dokręcić dźwignię.

Poluzować dźwignię i ustawić wymagany kąt, przechylając odpowiednio narzędzie, a następnie dobrze docisnąć dźwignię.

► **Rys.10:** 1. Dźwignia

## Ogranicznik

Ogranicznik służy do szybkiego ustawiania wymaganego kąta. Przekręcić ogranicznik tak, aby jego strzałka wskazywała żądany kąt cięcia w pionie (22,5°/45°/53°). Poluzować dźwignię, a następnie przechylić podstawę narzędzia, aż się zatrzyma. Położenie, w którym zatrzyma się podstawa narzędzia, to kąt ustawiany za pomocą ogranicznika. Gdy podstawa narzędzia znajduje się w tym położeniu, docisnąć dźwignię.

► **Rys.11:** 1. Ogranicznik

## Celowanie

W przypadku cięć prostych wyrównać położenie 0° w przedniej części podstawy z linią cięcia. W przypadku cięć pod kątem 45° wyrównać położenie 45° z linią cięcia.

► **Rys.12:** 1. Linia cięcia (położenie 0°) 2. Linia cięcia (położenie 45°)

## Działanie przełącznika

**⚠ OSTRZEŻENIE:** Przed włożeniem akumulatora do narzędzia należy zawsze sprawdzić, czy spust przełącznika działa prawidłowo i czy powraca do położenia wyłączenia po jego zwolnieniu.

**⚠ OSTRZEŻENIE:** NIE WOLNO pomijać ani blokować działania przycisku blokady poprzez zaklejenie go taśmą ani w inny sposób. Wyłącznik z pominiętym lub zablokowanym przyciskiem blokady może spowodować przypadkowe uruchomienie narzędzia i poważne obrażenia ciała.

**⚠ OSTRZEŻENIE:** NIE WOLNO używać narzędzia, jeśli można je uruchomić tylko za pomocą spustu przełącznika bez uprzedniego wciśnięcia przycisku blokady. Niesprawny, wymagający naprawy przełącznik może spowodować przypadkowe uruchomienie urządzenia i poważne obrażenia ciała. PRZED dalszym użytkowaniem narzędzia należy przekazać je do punktu serwisowego narzędzi Makita w celu naprawy.

**⚠ PRZESTROGA:** Natychmiast po zwolnieniu spustu przełącznika narzędzie zacznie hamować ruch obrotowy piły tarczowej. Zwalniając spust przełącznika, należy mocno przytrzymywać narzędzie, aby odpowiednio zareagować na zadziałanie hamulca. Nagłe zadziałanie może spowodować wypadnięcie narzędzia z ręki i doprowadzić do urazu.

Aby uniknąć przypadkowego pociągnięcia spustu przełącznika, urządzenie jest wyposażone w przycisk blokady włączenia. Aby uruchomić narzędzie, należy nacisnąć przycisk blokady włączenia i pociągnąć spust przełącznika. W celu zatrzymania wystarczy zwolnić spust przełącznika.

► **Rys.13:** 1. Spust przełącznika 2. Przycisk blokady włączenia

**UWAGA:** Nie ciągnąć na siłę spustu przełącznika bez wcześniejszego wciśnięcia przycisku blokady. Można w ten sposób połamać przełącznik.

## Hamulec elektryczny

Narzędzie jest wyposażone w elektryczny hamulec tarczy. Jeśli piła tarczowa narzędzia często nie zatrzymuje się szybko po zwolnieniu dźwigni przełącznika, należy zlecić naprawę narzędzia serwisowi firmy Makita.

**⚠ PRZESTROGA:** Układ hamulca tarczy nie zastępuje osłony tarczy. NIGDY NIE UŻYWAĆ NARZĘDZIA BEZ SPRAWNEJ OSŁONY TARCZY. MOGŁOBY TO SPOWODOWAĆ Poważne OBRAŻENIA CIAŁA.

## Funkcja regulacji elektronicznej

Narzędzia wyposażone w funkcję regulacji elektronicznej są łatwe w obsłudze ze względu na przedstawione poniżej cechy.

### Funkcja łagodnego rozruchu

Łagodny rozruch zapewnia tłumienie wstrząsu

występującego podczas uruchamiania.

## MONTAŻ

**⚠ PRZESTROGA:** Przed przystąpieniem do prac konserwacyjnych przy narzędziu upewnić się, że jest ono wyłączone, a akumulator został wyjęty.

## Miejsce na klucz uchylny

Klucz uchylny, gdy nie jest używany, należy przechowywać w sposób pokazany na rysunku, aby się nie zgubił.

► **Rys.14:** 1. Klucz uchylny

## Zakładanie i zdejmowanie piły tarczowej

**⚠ PRZESTROGA:** Piłę tarczową należy zakładać w taki sposób, aby zęby znajdujące się w przedniej części narzędzia były skierowane ku górze.

**⚠ PRZESTROGA:** Do zakładania i zdejmowania piły tarczowej należy używać wyłącznie klucza uchylnego firmy Makita.

## Zakładanie piły tarczowej

**WSKAZÓWKA:** Produkt może być dostarczany z założoną piłą tarczową.

1. Wcisnąć do oporu blokadę wałka, aby wałek mocowania nie mógł się obracać, i poluzować kluczem uchylnym śrubę imbusową. Następnie wyjąć śrubę imbusową i zdjąć kołnierz zewnętrzny.

► **Rys.15:** 1. Blokada wałka 2. Klucz uchylny 3. Odkręcanie 4. Dokręcanie

2. Zamontować kołnierz wewnętrzny, pierścień (w zależności od kraju), piłę tarczową, kołnierz zewnętrzny i śrubę imbusową. Następnie wyrównać kierunek wskazywany przez strzałkę na tarczy ze strzałką na narzędziu.

### Narzędzia bez pierścienia

► **Rys.16:** 1. Śruba imbusowa 2. Zewnętrzny kołnierz 3. Piła tarczowa 4. Strzałka na pile tarczowej 5. Wewnętrzny kołnierz 6. Strzałka na narzędziu

### Narzędzia z pierścieniem

► **Rys.17:** 1. Śruba imbusowa 2. Zewnętrzny kołnierz 3. Piła tarczowa 4. Strzałka na pile tarczowej 5. Pierścień 6. Wewnętrzny kołnierz 7. Strzałka na narzędziu

3. Wcisnąć blokadę wałka i dokręcić śrubę imbusową.

## Narzędzia z kołnierzem wewnętrznym dla tarcz tnących z otworem o średnicy innej 15,88 mm

Kołnierz wewnętrzny ma występ o pewnej średnicy z jednej strony oraz występ o innej średnicy z drugiej

strony. Należy wybrać prawidłową stronę występu, która będzie pasowała idealnie do otworu w piłę tarczowej. Zamontować kołnierz wewnętrzny na wałku mocowania, tak aby prawidłowa strona z występnym kołnierza wewnętrznej była skierowana na zewnątrz, po czym założyć piłę tarczową i kołnierz zewnętrzny.

► **Rys.18:** 1. Wałek mocowania 2. Wewnętrzny kołnierz 3. Piła tarczowa 4. Zewnętrzny kołnierz 5. Śruba imbusowa

**⚠ OSTRZEŻENIE: MOCNO DOKRĘCIĆ ŚRUBĘ IMBUSOWĄ W LEWO. Uważać, aby nie dokręcać śruby zbyt mocno. Ześlizgnięcie się ręki z klucza sześciokątnego może spowodować obrażenia ciała.**

**⚠ OSTRZEŻENIE: Upewnić się, że występ „a” na kołnierzu wewnętrznym ustawiony na zewnątrz pasuje idealnie do otworu „a” w tarczy tnącej. Montaż piły tarczowej po niewłaściwej stronie może spowodować niebezpieczne wibracje.**

## Narzędzia z kołnierzem wewnętrznym dla tarcz tnących z otworem o średnicy 15,88 mm (w zależności od kraju)

Zamocować kołnierz wewnętrzny na wałku mocowania stroną z wewnętrznym wgłębieniem skierowanym na zewnątrz, a następnie założyć tarczę tnącą (z zamocowanym pierścieniem, w razie potrzeby), kołnierz zewnętrzny i wkręcić śrubę sześciokątną.

### Narzędzia bez pierścienia

► **Rys.19:** 1. Wałek mocowania 2. Wewnętrzny kołnierz 3. Piła tarczowa 4. Zewnętrzny kołnierz 5. Śruba imbusowa

### Narzędzia z pierścieniem

► **Rys.20:** 1. Wałek mocowania 2. Wewnętrzny kołnierz 3. Piła tarczowa 4. Zewnętrzny kołnierz 5. Śruba imbusowa 6. Pierścień

**⚠ OSTRZEŻENIE: MOCNO DOKRĘCIĆ ŚRUBĘ IMBUSOWĄ W LEWO. Uważać, aby nie dokręcać śruby zbyt mocno. Ześlizgnięcie się ręki z klucza sześciokątnego może spowodować obrażenia ciała.**

**⚠ OSTRZEŻENIE: Jeśli do zamocowania piły tarczowej na wrzecionie potrzebny jest pierścień, zawsze upewnij się, czy pomiędzy kołnierzem wewnętrznym i zewnętrznym znajduje się prawidłowy pierścień dopasowany do otworu piły, która ma zostać użyta. Użycie pierścienia o niewłaściwym otworze może skutkować nieprawidłowym zamocowaniem piły tarczowej, powodując jej ruch oraz silne drgania, co może doprowadzić do utraty kontroli podczas pracy oraz poważnych obrażeń ciała.**

## Zdejmowanie piły tarczowej

1. Wcisnąć do oporu blokadę wałka, aby wałek mocowania nie mógł się obracać, i poluzować kluczem uchylnym śrubę imbusową. Następnie wyjąć śrubę imbusową, kołnierz zewnętrzny, piłę tarczową oraz pierścień (w zależności od kraju).

2. Na czas przechowywania narzędzia założyć kołnierz zewnętrzny i lekko dokręcić ręką śrubę imbusową, aby zapobiec zgubieniu.

## Czyszczenie osłony tarczy

W przypadku wymiany piły tarczowej należy koniecznie oczyścić górną i dolną osłonę tarczy z nagromadzonych trocin, zgodnie z opisem w rozdziale dotyczącym konserwacji. Czynność ta nie zastępuje konieczności każdorazowego sprawdzania poprawności działania dolnej osłony przed użyciem narzędzia.

## Podłączenie odkurzacza

### Akcesoria opcjonalne

**WSKAZÓWKI:** Aby nie zgubić gumowej nasadki, należy ją przechowywać w przedniej części narzędzia.

**WSKAZÓWKI:** Kiedy odkurzacz nie jest używany, należy gumową nasadkę na króciec odpylania.

Zdjąć gumową nasadkę z króćca odpylania i przyłączyć wąż odkurzacza.

► **Rys.21:** 1. Nasadka gumowa

W celu zachowania czystości podczas cięcia można podłączyć do narzędzia odkurzacz firmy Makita. Do króćca odpylania podłączyć wąż odkurzacza przy użyciu przedniej złączki 24.

► **Rys.22:** 1. Wąż odkurzacza 2. Przednia złączka 24 3. Króciec odpylania 4. Nasadka gumowa

## OBSŁUGA

To narzędzie jest przeznaczone wyłącznie do cięcia wyrobów drewnianych.

Informacje na temat odpowiednich pił tarczowych do cięcia danego materiału można uzyskać, odwiedzając naszą witrynę internetową lub kontaktując się z lokalnym przedstawicielem firmy Makita.

## Kontrola działania osłony tarczy

Wyjąć akumulator.

Ustawić kąt cięcia w pionie na 0°, następnie ręcznie cofnąć dolną osłonę do oporu i puścić. Dolna osłona działa prawidłowo, jeśli:

- możliwe jest jej wycofanie ponad podstawę bez żadnych przeszkód oraz
- automatycznie powraca na miejsce do momentu zetknięcia z ogranicznikiem.

► **Rys.23:** 1. Górna osłona 2. Dolna osłona 3. Podstawa 4. Ogranicznik 5. Otwieranie 6. Zamykanie

Jeśli dolna osłona nie działa prawidłowo, należy sprawdzić, czy wewnątrz dolnej lub górnej osłony nie nagromadził się pył. Jeśli dolna osłona nie działa prawidłowo nawet po usunięciu pyłu należy oddać narzędzie do serwisu Makita w celu naprawy.

**▲PRZESTROGA:** Podczas cięcia należy nosić maskę przeciwpyłową.

**▲PRZESTROGA:** Narzędzie należy prowadzić spokojnie wzdłuż linii prostej. Stosowanie nadmiernej siły lub zmiana kierunku prowadzenia narzędzia spowodują przegrzanie silnika i wystąpienia niebezpiecznego odrzutu, który może być przyczyną poważnych obrażeń ciała.

**WSKAZÓWKA:** Jeśli temperatura akumulatora jest niska, narzędzie może nie uzyskać pełnej wydajności. W takim przypadku należy przez pewien czas wykonywać cięcia niewymagające dużej mocy, aż akumulator osiągnie temperaturę pokojową. Po tym czasie narzędzie może pracować z maksymalną wydajnością.

#### ► Rys.24

Narzędzie należy trzymać mocno i pewnie. Narzędzie jest wyposażone w przednią rączkę i tylny uchwyt. Należy używać obu wspomnianych elementów, aby zapewnić pewny chwyt. Jeśli obie dłonie trzymają pilarkę, nie mogą zostać przecięte przez piłę tarczową. Ustawić podstawę narzędzia na elemencie do cięcia w taki sposób, aby piła tarczowa nie stykała się z nim. Następnie włączyć narzędzie i odczekać, aż piła tarczowa uzyska pełną prędkość. Teraz po prostu przesuwaj narzędzie w przód po powierzchni elementu obrabianego, utrzymując je w poziomie i płynnie poruszając nim aż do zakończenia cięcia.

Aby uzyskać gładkie rzazy, należy ciąć w linii prostej i utrzymywać stałą prędkość posuwu. Jeśli narzędzie zboczy z zamierzonej linii cięcia, nie próbować skręcać narzędziem ani wracać do niej na siłę. Może to spowodować zablokowanie piły tarczowej i niebezpieczny odrzut, który grozi poważnymi obrażeniami ciała. Zwołnic przełącznik, odczekać, aż piła tarczowa zatrzyma się, a następnie wycofać narzędzie. Ustawić narzędzie wzdłuż nowej linii cięcia i rozpocząć cięcie na nowo. Należy unikać pozycji, w której operator jest narażony na wióry i trociny wyrzucane przez pilarkę. Używać okularów ochronnych, aby zmniejszyć ryzyko obrażeń.

## Zaczep

**▲PRZESTROGA:** Przed zawieszeniem narzędzia za zaczep należy koniecznie wyjąć akumulator.

**▲PRZESTROGA:** Nie wolno wieszkać narzędzia wysoko ani na niestabilnych powierzchniach, z których może ono spaść. W przeciwnym razie narzędzie może spaść i spowodować poważne obrażenia.

**▲PRZESTROGA:** Gdy narzędzie jest zawieszona, nie należy go pociągać w dół.

**▲PRZESTROGA:** Części do wieszania/części mocujących należy używać tylko zgodnie z ich przeznaczeniem. Użycie niezgodne z przeznaczeniem może doprowadzić do wypadku lub uszkodzeń ciała.

Zaczep jest przydatny, aby na chwilę zawiesić narzędzie. Aby użyć zaczepu, należy po prostu unieść go w górę i przestawić w pozycję otwartą.

Gdy zaczep nie jest używany, zawsze należy go opuścić i przestawić w pozycję zamkniętą.

► **Rys.25:** 1. Zaczep 2. Pozycja otwarta 3. Pozycja zamknięta

#### ► Rys.26

## Prowadnica wzdłużna

### Aksesoria opcjonalne

Poręczna prowadnica wzdłużna pozwala wykonywać wyjątkowo dokładne cięcia proste. Wystarczy tylko dobrze docisnąć prowadnicę do krawędzi obrabianego elementu i zablokować ją w odpowiednim położeniu za pomocą śruby z przodu podstawy. Umożliwia ona również wykonywanie powtarzalnych cięć o tej samej szerokości.

► **Rys.27:** 1. Prowadnica wzdłużna 2. Śruba zaciskowa

## Mocowanie pasa asekuracyjnego (linki do mocowania)

**▲Ostrzeżenia dotyczące prac na wysokościach**  
**Przeczytać wszystkie ostrzeżenia i instrukcje.**  
Niezastosowanie się do wspomnianych ostrzeżeń i instrukcji może przyczynić się do poważnych obrażeń ciała.

1. **Podczas prac na wysokościach narzędzie zawsze musi być zabezpieczone pasem asekuracyjnym. Maksymalna długość pasa asekuracyjnego wynosi 2 m (6,5 stopy). Maksymalna dopuszczalna wysokość opadania dla pasa asekuracyjnego (linki do mocowania) nie może przekraczać 2 m (6,5 stopy).**
2. **Należy używać wyłącznie pasów asekuracyjnych odpowiednich dla narzędzi tego typu o wadze co najmniej 7,0 kg (15,4 funta).**
3. **Pasa asekuracyjnego nie należy mocować na żadnej części ciała ani do żadnych przedmiotów ruchomych. Pas asekuracyjny należy zamocować do konstrukcji sztywnej, która wytrzyma działanie sił wywieranych przez upuszczone narzędzie.**
4. **Przed rozpoczęciem korzystania z narzędzia upewnić się, że pas asekuracyjny jest poprawnie zamocowany na obu końcach.**
5. **Każdorazowo przed użyciem sprawdź narzędzie i pas asekuracyjny pod kątem uszkodzeń i prawidłowego działania (w tym tkaninę oraz szwy). W przypadku stwierdzenia uszkodzeń lub nieprawidłowego działania nie używać pasa lub narzędzia.**
6. **Nie owijaj pasa asekuracyjnego wokół przedmiotów o ostrych lub szorstkich krawędziach. Nie dopuszczaj do kontaktu pasa z takimi przedmiotami.**
7. **Drugi koniec pasa asekuracyjnego zamocować poza obszarem roboczym, aby upadające narzędzie zostało bezpiecznie zatrzymane.**
8. **Pas asekuracyjny zamocować w taki sposób, aby upadające narzędzie poruszało się z dala od operatora. Upadające narzędzia będą się kołysać na pasie asekuracyjnym, co może spowodować obrażenia lub utratę równowagi.**

9. Nie zbliżać się do poruszających się części ani uruchomionych narzędzi. Nieprzestrzeganie tego zalecenia może spowodować zagrożenie związane z uderzeniem lub wciągnięciem przez poruszające się części.
10. Narzędzia nie należy przenosić, trzymając za element do mocowania pasa ani za pas asekuracyjny.
11. Narzędzie można przenosić wyłącznie oburącz, utrzymując równowagę ciała.
12. Nie mocować pasa asekuracyjnego na narzędziu w sposób, który uniemożliwi poprawne działanie osłon, przełączników albo blokad.
13. Zachować ostrożność, aby nie zaplątać się w pas asekuracyjny.
14. Pas asekuracyjny trzymać z dala od obszaru cięcia narzędziem.
15. Używać karabińczyków zakręcanych lub z wielokrotnymi blokadami. Nie używać karabińczyków sprężynowych samozamykających.
16. Jeśli narzędzie upadnie, należy je oznakować i wyłączyć z eksploatacji. Musi zostać sprawdzone w zakładzie produkcyjnym Makita lub autoryzowanym centrum serwisowym Makita.

► **Rys.28:** 1. Otwór na pas asekuracyjny (na linkę do mocowania)

## KONSERWACJA

**▲PRZESTROGA:** Przed przystąpieniem do przeglądu narzędzia lub jego konserwacji upewnić się, że jest ono wyłączone, a akumulator wyjęty.

**▲PRZESTROGA:** Oczyszczyć górną i dolną osłonę, aby upewnić się, że nie nagromadziły się na niej żadne trociny, które mogłyby wpłynąć na nieprawidłowe działanie dolnej osłony. Zabrudzona osłona może ograniczać właściwe działanie, co może prowadzić do poważnych obrażeń ciała. Najbardziej skutecznym sposobem czyszczenia jest użycie sprężonego powietrza. **W przypadku gdy pył jest wydmuchiwany poza osłony należy zastosować odpowiednie środki ochrony oczu i układu oddechowego.**

**▲PRZESTROGA:** Po każdym użyciu wytrzeć narzędzie z pyłu. Drobny pył może przedostać się do wnętrza narzędzia i spowodować jego nieprawidłowe działanie lub zapłon.

**UWAGA:** Nie stosować benzyny, rozpuszczalników, alkoholu itp. środków. Mogą one powodować odbarwienia, odkształcenia lub pęknięcia.

W celu zachowania odpowiedniego poziomu BEZPIECZEŃSTWA i NIEZAWODNOŚCI produktu wszelkie naprawy i różnego rodzaju prace konserwacyjne lub regulacje powinny być przeprowadzane przez autoryzowany lub fabryczny punkt serwisowy narzędzi Makita, zawsze z użyciem oryginalnych części zamiennych Makita.

## Regulacja dokładności położenia 0°

Ta regulacja została przeprowadzona fabrycznie. Jeśli jednak regulacja jest konieczna, należy wykonać następującą procedurę.

1. Lekko poluzować dźwignię na płycie z podziałką kąta cięcia.
2. Ustawić podstawę prostopadle do tarczy za pomocą ekierki lub kątownika, obracając śrubę regulacyjną.
  - **Rys.29:** 1. Ekierka 2. Śruba regulacyjna
3. Docisnąć dźwignię i wykonać cięcie próbne, aby sprawdzić ustawienie w pionie.

## AKCESORIA OPCJONALNE

**▲PRZESTROGA:** Zaleca się stosowanie wymiennionych akcesoriów i przystawek razem z narzędziem Makita opisanym w niniejszej instrukcji. Stosowanie innych akcesoriów lub przystawek może być przyczyną obrażeń ciała. Akcesoria lub przystawki należy wykorzystywać tylko zgodnie z ich przeznaczeniem.

W razie potrzeby wszelkiej pomocy i szczegółowych informacji na temat niniejszych akcesoriów udzieli Państwu lokalne punkty serwisowe Makita.

- Piła tarczowa
- Klucz uchylny
- Prowadnica wzdużna
- Przednia złączka 24
- Oryginalny akumulator i ładowarka firmy Makita

**WSKAZÓWKA:** Niektóre pozycje znajdujące się na liście mogą być dołączone do pakietu narzędziowego jako akcesoria standardowe. Mogą to być różne pozycje, w zależności od kraju.

## RÉSZLETES LEÍRÁS

<b>Típus:</b>		<b>RS001G</b>
Fűrészlap átmérője		185 mm
Max. vágási mélység	0°-nál	65 mm
	45°-os döntésnél	45 mm
	53°-os döntésnél	38 mm
Üresjárat fordulatszám		6 400 min <sup>-1</sup>
Teljes hossz		446 mm
Névleges feszültség		36 V - 40 V max., egyenáram
Tiszta tömeg		5,0 - 6,2 kg

- Folyamatos kutató- és fejlesztőprogramunk eredményeként az itt felsorolt tulajdonságok figyelmeztetés nélkül megváltozhatnak.
- A tulajdonságok országról országra különbözhetnek.
- A súly a felszerelt tartozékoktól függően változhat, az akkumulátort is beleértve. Az EPTA 01/2014 eljárás szerint meghatározott legnehezebb, illetve legkönnyebb kombináció a táblázatban látható.

### Alkalmazható akkumulátorok és töltők

Akkumulátor	BL4020 / BL4025 / BL4040* / BL4040F* / BL4050F* / BL4080F* * : Javasolt akkumulátor
Töltő	DC40RA / DC40RB / DC40RC

- Lakóhelyétől függően előfordulhat, hogy a fent felsorolt akkumulátorok és töltők nem érhetők el.

**▲ FIGYELMEZTETÉS:** Csak a fentiekben felsorolt akkumulátorokat és töltőket használja. Bármilyen más akkumulátor vagy töltő használata sérüléseket és/vagy tüzet okozhat.

### Rendeltetés

A szerszám hosszirányú és keresztirányú, ferde egyenes- és gérvágások végzésére használható faanyagokban, úgy, hogy közben szorosan érintkezik a munkadarabbal.

### Zaj

A tipikus A-súlyozású zajszint, a EN62841-2-5 szerint meghatározva:

Hangnyomásszint ( $L_{pA}$ ): 95 dB(A)  
Hangteljesítményszint ( $L_{WA}$ ): 103 dB (A)  
Bizonytalanság (K): 3 dB(A)

**MEGJEGYZÉS:** A zajkibocsátás értéke a szabványos vizsgálati eljárásnak megfelelően lett mérve, és segítségével az elektromos kéziszerszámok összehasonlíthatók egymással.

**MEGJEGYZÉS:** A zajkibocsátás értékének segítségével előzetesen megbecsülhető a rezgésnek való kitettség mértéke.

**▲ FIGYELMEZTETÉS:** Viseljen fülvédőt!

**▲ FIGYELMEZTETÉS:** A szerszám zajkibocsátása egy adott alkalmazásnál eltérhet a megadott értéktől a használat módjától, különösen a feldolgozott munkadarab fajtájától függően.

**▲ FIGYELMEZTETÉS:** Határozza meg a kezelő védelmét szolgáló munkavédelmi lépéseket, melyek az adott munkafeltételek melletti vibrációs hatás becsült mértékén alapulnak (figyelembe véve a munkaciklus elemeit, mint például a gép leállításának és üresjáratának mennyiségét az elindítások száma mellett).

### Vibráció

A vibráció teljes értéke (háromtengelyű vektorösszeg) az EN62841-2-5 szerint meghatározva:

Üzem mód: Fa vágása  
Rezgéskibocsátás ( $a_{h,w}$ ): 2,5 m/s<sup>2</sup> vagy kisebb  
Bizonytalanság (K): 1,5 m/s<sup>2</sup>

**MEGJEGYZÉS:** A rezgés teljes értéke a szabványos vizsgálati eljárásnak megfelelően lett mérve, és segítségével az elektromos kéziszerszámok összehasonlíthatók egymással.

**MEGJEGYZÉS:** A rezgés teljes értékének segítségével előzetesen megbecsülhető a rezgésnek való kitettség mértéke.

**▲ FIGYELMEZTETÉS:** A szerszám rezgés kibocsátása egy adott alkalmazásnál elérhet a megadott értéktől a használat módjától, különösen a feldolgozott munkadarab fajtájától függően.

**▲ FIGYELMEZTETÉS:** Határozza meg a kezelő védelmét szolgáló munkavédelmi lépéseket, melyek az adott munkafeltételek melletti vibrációs hatás becsült mértékén alapulnak (figyelembe véve a munkaciklus elemeit, mint például a gép leállításának és üresjáratának mennyiségét az elindítások száma mellett).

## Megfelelőségi nyilatkozatok

### Csak európai országokra vonatkozóan

A megfelelőségi nyilatkozatok a jelen használati kézikönyv „A” mellékletében található.

## BIZTONSÁGI FIGYELMEZTETÉS

### A szerszámgépekre vonatkozó általános biztonsági figyelmeztetések

**▲ FIGYELMEZTETÉS** Olvassa el a szerszámgéphez mellékelt összes biztonsági figyelmeztetést, utasítást, illusztrációt és a műszaki adatokat. A következőkben leírt utasítások figyelmen kívül hagyása elektromos áramütést, tüzet és/vagy súlyos sérülést eredményezhet.

### Őrizzen meg minden figyelmeztetést és utasítást a későbbi tájékozódás érdekében.

A figyelmeztetéseken szereplő "szerszámgép" kifejezés az Ön hálózatról (vezetékes) vagy akkumulátorról (vezeték nélküli) működtetett szerszámgépére vonatkozik.

### Az akkumulátoros körfűrészre vonatkozó biztonsági figyelmeztetések

#### Vágási eljárások

- ▲ VESZÉLY:** Tartsa kezét távol a fűrészlaptól és a vágás helyétől. Másik kezét tartsa a segédmarkolaton vagy a motorházon. Ha két kézzel tartja a fűrész, akkor a fűrészlap nem vághatja el a kezét.
- Ne nyúljon a munkadarab alá.** A védőburkolat nem tudja megvédeni Önt a fűrészlaptól a munkadarab alatt.
- Állítsa a vágási mélységet a munkadarab vastagságával megegyező értékre.** A munkadarab alatt a fűrészlapból egy teljes fognál kevesebbnek kel kilátászanía.
- Vágás közben soha ne kézben tartsa, és soha**

ne fedtesse az ölébe a munkadarabot. Rögzítse a munkadarabot egy szilárd padozaton.

Nagyon fontos a munkadarab megfelelő alátámasztása, hogy elkerülje a személyi sérüléseket, a fűrészlárcsa meghajlását vagy a gép feletti irányítás elvesztését.

#### ► Ábra1

- Az elektromos szerszámot kizárólag a szigetelt markolási felületeinél fogva tartsa, amikor olyan műveletet végez, melynek során a vágószerszám rejtett vezetékbe ütközhet.** Feszültség alatt lévő vezetékekkel való érintkezéskor a szerszámgép alkatrészei is feszültség alá kerülnek, és megrázhathják a kezelőt.
- Párhuzamos vágáskor mindig használja a párhuzamvezetőt vagy egy egyenes szélvezetőt.** Ez javítja a vágás pontosságát, és csökkenti a fűrészlap meghajlásának esélyét.
- Mindig csak megfelelő méretű és alakú (gyémánt vagy kerek) tengelyfurattal rendelkező fűrészlárcsákat használjon.** Azok a fűrészlárcsák, amelyek nem illeszkednek a rögzítő alkatrészekhez, forgás közben nem maradnak középen, ami irányíthatatlansághoz vezet.
- Soha ne használjon sérült vagy nem megfelelő alátétet vagy csavart a fűrészlaphoz.** A fűrészlap alátéteket és a fejescsavart speciálisan ehhez a szerszámhoz tervezték, az optimális teljesítmény és a biztonságos működés biztosítása érdekében.

#### A visszarúgás okai és az ezzel kapcsolatos figyelmeztetések

- a visszarúgás a szerszám hirtelen reakciója beszorult, beakadt vagy rosszul álló fűrészlárcsa esetén, amely az irányíthatatlan szerszám felemelkedését és kilökődését okozza a munkadarabról a kezelő irányába;
- amikor a fűrészlárcsa beszorul vagy beakad az összezáródó fűrészjáratban, a fűrészlárcsa megáll, és a motor reakciója a gépet gyorsan a kezelő irányába lendíti;
- ha a fűrészlap megcsavarodik vagy nem áll megfelelően a vágatban, a fűrészlap fogai és hátsó széle belevájja magát a munkadarab felső felületébe, miáltal a fűrészlap kiugrik a fűrészjáratból és a kezelő felé lendül.

A visszarúgás a szerszám helytelen használatának és/vagy a hibás megmunkálási eljárásnak az eredménye és az alább leírt óvintézkedések betartásával elkerülhető.

- Fogja stabilan a szerszámot mindkét kezével és tartsa úgy a karjait, hogy ellen tudjon állni a visszarúgáskor fellépő erőnek. Igazítsa a testét a fűrészlap valamelyik oldalára, de ne egy vonalba a fűrészlappal.** A visszarúgás a szerszám visszaugrását okozhatja, de a visszarúgáskor fellépő erőket a kezelő leküzdheti, ha a megfelelő óvintézkedéseket betartja.
- Amikor a fűrészlap meghajlott, vagy valamiret meg kell szakítania a vágási műveletet, engedje fel a kioldót és tartsa mozdulatlanul a fűrész az anyagban amíg teljesen meg nem áll. Soha ne próbálja eltávolítani a fűrész a munkadarabból vagy visszahúzni a fűrész amíg a fűrészlap mozgásban van, mert**

**visszarúgás léphet fel.** Figyelje és korrigáló műveletekkel próbálja megelőzni a fűrészlap meghajlását.

3. **Amikor újra bekapcsolja a fűrészét a munkadarabban, állítsa középre a fűrészlárcsát a fűrészjáratban és győződjön meg róla, hogy a fűrészfogak nem kapaszkodnak az anyagba.** Ha a fűrészlárcsa meghajlik, az kijöhet vagy visszarághat a munkadarabból a szerszám újraindításakor.
4. **A nagyméretű falopokat támassza alá, hogy elkerülje a fűrészlap beszorulását és a visszarághást.** A nagyméretű falopokat meghajolhatnak saját súlyuk alatt. Támasztékot a fal mindkét oldalára kell tenni, a vágóvonal közélebe és a lap szélétől nem messze.

#### ► Ábra2

#### ► Ábra3

5. **Ne használjon tompa vagy sérült fűrészlapokat!** A nem elég éles vagy rosszul beállított fűrészlapok keskeny fűrészjáratot eredményeznek, amely túlzott súrlódáshoz, a fűrészlap meghajlásához és visszarágháshoz vezet.
6. **A fűrészlap mélységének és a ferdevágás szögének beállítására szolgáló reteszleőkarokat meg kell húzni és a vágás megkezdése előtt rögzíteni kell.** Ha a fűrészlap beállítása elmozdul a vágás alatt, akkor a fűrészlap meghajolhat, ami visszarághást eredményez.
7. **Különösen figyeljen oda, amikor meglévő falak vagy más beláthatatlan területek vágására használja a szerszámot.** A kiálló fűrészlap olyan tárgyakba vághat bele, amik visszarághást okozhatnak.
8. **MINDIG tartsa szilárdan a szerszámot mindkét kezével! SOHA ne nyújtsa a kezét, lábát, vagy bármilyen más testrészét a szerszám alapeleme alá vagy a fűrész mögé, különösen ha harántvágást végez!** Ha visszarághás történik, a fűrész könnyen visszaugorhat a kezéin át, komoly sérüléseket okozva.

#### ► Ábra4

9. **Soha ne erőltesse a fűrészét!** Olyan sebességgel tolja előre a fűrészét, hogy a fűrészlap lassulás nélkül vágjon. A fűrész erőltetése egyetlen vágásokat, a pontosság csökkenését és esetleg visszarághást okozhat.

#### Fűrészlapvédő funkció

1. **Minden használat ellenőrizze, hogy az alsó fűrészlapvédő megfelelően zár-e.** Ne működtesse a fűrészét, ha az alsó fűrészlapvédő nem mozog akadálymentesen, és nem zár azonnal. Soha ne rögzítse vagy kösse ki az alsó fűrészlapvédőt nyitott állásban. Ha a fűrész véletlenül leesik, akkor az alsó fűrészlapvédő elhajolhat. Emelje fel az alsó fűrészlapvédőt a visszahúzó fogantyúval és ellenőrizze, hogy az szabadon mozog, és nem ér a fűrészlaphoz vagy bármely más alkatrészhez, egyik vágási szögénél vagy vágási mélységénél sem.
2. **Ellenőrizze az alsó fűrészlapvédő rugójának működését.** Ha védő vagy a rugó nem működik megfelelően, azokat használat előtt meg kell javítani. Az alsó fűrészlapvédő lassan mozoghat

sérült alkatrészek, gyantalerakódások vagy hulladék felhalmozódása miatt.

3. **Az alsó fűrészlapvédőt csak összetett vágásokhoz, mint pl. a „leszúró vágás” és a „kombinált vágás”, lehet kézzel felemelni.** Emelje fel az alsó fűrészlapvédőt a visszahúzó karral, majd amint a fűrészlap behatolt az anyagba, az alsó fűrészlapvédőt el kell engedni. Minden más típusú vágáshoz az alsó védőlemeznek automatikusan kell működnie.
4. **Mindig nézze meg, hogy az alsó fűrészlapvédő befedi a fűrészlapot, mielőtt leteszi a szerszámot az asztalra vagy a padlóra.** A védetlen, szabadon forgó fűrészlap miatt a szerszám elmozdulhat, átvágva az útjába kerülő tárgyakat. Ne feledje, hogy a fűrészlap megállásáig valamennyi idő elteltével a kapcsoló felengedése után.
5. **Az alsó fűrészlapvédő ellenőrzéséhez kézzel nyissa ki az alsó fűrészlapvédőt, majd engedje el, és nézze meg, hogy megfelelően záródik-e.** Ellenőrizze azt is, hogy a visszahúzó fogantyú nem érintkezik-e az eszköz motorházával. A fűrészlapot szabadon hagyni NAGYON VESZÉLYES és súlyos személyi sérülést okozhat.

#### További biztonsági figyelmeztetések

1. **Különösen figyeljen oda nedves fa, nyomás alatt ragasztott faanyag vagy görcsös fa vágásokor.** Haladjon egyenesen előre a szerszámmal, a fűrészlap sebességének csökkenése nélkül, hogy elkerülje a fűrészlap fogainak túlmelegedését.
2. **Ne próbálja meg eltávolítani a levágott anyagot, amikor a fűrészlap még mozog. Várja meg, amíg a fűrészlap megáll, mielőtt megfogja a levágott darabot.** A fűrészlap szabadon forog a kikapcsolás után.
3. **Kerülje a szegek átvágását.** A vágás megkezdése előtt ellenőrizze a fatörzset, és húzza ki belőle az összes szeget.
4. **Tegye a fűrész alapelemének szélesebb részét a munkadarab azon részére, amely stabilan alá van támasztva, ne arra a részre, amelyik leesik a vágás végén.** Ha a munkadarab rövid vagy kicsi, le kell fogatni. **NE PRÓBÁLJA A RÖVID MUNKADARABOKAT KÉZBEN TARTANI!**

#### ► Ábra5

5. **Mielőtt leteszi a szerszámot a vágás befejezése után, győződjön meg róla, hogy az alsó fűrészlapvédő bezáródott és a fűrészlap teljesen megállt.**
6. **Soha ne próbáljon a körfűrészsel úgy vágni, hogy azt felfordítva befogja egy sataba!** Ez különösen veszélyes és komoly sérüléseket vezethet.

#### ► Ábra6

7. **Egyes anyagok mérgező vegyületet tartalmazhatnak.** Gondoskodjon a por belélegzése elleni és érintés elleni védelemről. Tartsa be az anyag szállítójának biztonsági utasításait.
8. **Ne állítsa meg a lárcsát úgy, hogy oldalirányú nyomást fejt ki a fűrészlapra.**
9. **Ne használjon köszörűlárcsákat.**
10. **Csak a szerszámon jelzett vagy a**

kézikönyvben megadott átmérőjű fűrészlapokat használja. A nem megfelelő méretű fűrészlap miatt a fűrészlap vagy a védőburkolat nem fogja megfelelően ellátni a funkcióját, ami súlyos személyi sérüléshez is vezethet.

11. **A fűrészlapokat tartsa élesen és tisztán.** A fűrészlapokra keményedett kátrány és fagyanta lelassítja a fűrészt és megnöveli a visszarágás kockázatát. Tartsa tisztán a fűrészlapot úgy, hogy először leszereli azt a szerszámról, majd megtisztítja gyanta és kátrányeltávolítóval, forró vízzel vagy kerozinnal. Soha ne használjon benzint.
12. **Viseljen pormaszkot és hallásvédőt a szerszám használatakor.**
13. **Mindig ahhoz az anyaghoz illő fűrésztárcsát használjon, amelyet vágni tervez.**
14. **Csak olyan fűrésztárcsákat használjon, amelyek jelzett fordulatszáma megegyezik a szerszámon jelzett fordulatszámmal, vagy nagyobb annál.**
15. **(Csak európai országok esetén)**  
Ha fához vagy hasonló anyagokhoz szánja, mindig az EN847-1 szabványnak megfelelő tárcsát használjon.
16. **Helyezze a szerszámot és az alkatrészeket egy sima és stabil felületre.** Ellenkező esetben a szerszám vagy az alkatrészek leeshetnek, és sérülést okozhatnak.

## ŐRIZZE MEG EZEKET AZ UTASÍTÁSOKAT.

**▲ FIGYELMEZTETÉS:** NE HAGYJA, hogy (a termék többszöri használatából eredő) kényelem és megszokás váltsa fel a termék biztonsági előírásainak szigorú betartását. A **HELYTELEN HASZNÁLAT** és a használati útmutatóban szereplő biztonsági előírások megszegése súlyos személyi sérülésekhez vezethet.

### Fontos biztonsági utasítások az akkumulátorra vonatkozóan

1. **Az akkumulátor használata előtt tanulmányozza át az akkumulátortöltőt (1), az akkumulátoron (2) és az akkumulátorral működtetett terméken (3) olvasható összes utasítást és figyelmeztető jelzést.**
2. **Ne szerelje szét, és ne módosítsa az akkumulátort.** Tűzet, túlzott hő vagy robbanást okozhat.
3. **Ha a működési idő nagyon lerövidült, azonnal hagyja abba a használatot.** Ez a túlmelegedés, esetleges égések és akár robbanás veszélyével is járhat.
4. **Ha elektrolit kerül a szemébe, mossa ki azt tiszta vízzel és azonnal kérjen orvosi segítséget.** Ez a látásának elvesztését okozhatja.
5. **Ne zárja rövidre az akkumulátort:**
  - (1) **Ne érjen az érintkezőkhöz elektromosan vezető anyagokkal.**
  - (2) **Ne tárolja az akkumulátort más fémtárgyakkal, mint pl. szegekkel, érmekkel, stb. egy helyen.**
  - (3) **Ne tegye ki az akkumulátort víznek vagy**
6. **Ne tárolja és használja a szerszámot vagy az akkumulátort olyan helyen, ahol a hőmérséklet elérheti vagy meghaladhatja az 50 °C-t (122 °F).**
7. **Ne égesse el az akkumulátort még akkor sem, ha az komolyan megsérült vagy teljesen felhasználódott. Az akkumulátor a tűzben elrobbanhat.**
8. **Ne szúrja meg, ne vágja meg, ne törje össze, ne dobja el és ne ejtse le az akkumulátort, illetve ne üsse hozzá kemény tárgyhoz.** Az ilyen magatartás tűzet, túlzott hőt vagy robbanást okozhat.
9. **Ne használjon sérült akkumulátort.**
10. **A készülékben található lítium-ion akkumulátorokra a veszélyes árukkal kapcsolatos előírások vonatkoznak.**  
A termék pl. harmadik felek, fuvarozó cégek stb. által történő szállítása esetén minden esetben tartsa szem előtt a csomagoláson és a címkén található speciális követelményeket.  
A termék szállításra történő felkészítése esetén vegye fel a kapcsolatot egy veszélyes anyagokkal foglalkozó szakemberrel. Kérjük, hogy az esetlegesen szigorúbb nemzeti előírásokat is vegye figyelembe.  
Ragassza le a kiálló érintkezőket, illetve oly módon csomagolja be az akkumulátort, hogy az ne tudjon elmozdulni a csomagolásban.
11. **Az akkumulátor ártalmatlanításakor vegye ki azt a szerszámból, és ártalmatlanítsa egy biztonságos helyen.** Az akkumulátor ártalmatlanításakor tartsa be a helyi előírásokat.
12. **Az akkumulátorokat csak a Makita által megjelölt termékekhez használja.** Ha az akkumulátorokat azokkal nem kompatibilis termékekbe helyezi, az tűzhez, túlmelegedéshez, robbanás-hoz vagy elektrolitszivárgáshoz vezethet.
13. **Ha a szerszám hosszabb ideig nincs használatban, az akkumulátort ki kell venni a szerszámból.**
14. **Használat közben és után az akkumulátor felforrósodhat, ami égési sérülést vagy alacsony hőmérsékletű égési sérülést okozhat.** Figyeljen oda a forró akkumulátor kezelésére.
15. **Ne érintse meg közvetlenül a szerszám érintkezőjét, mert elég forró lehet ahhoz, hogy égési sérüléseket okozzon.**
16. **Ne engedje, hogy forgács, por vagy sár tapadjon az akkumulátor érintkezőire, lyukaiba és hornyaiiba.** Az felmelegedést, tűzet, robbanást és a szerszám vagy az akkumulátor meghibásodását okozhatja, ami égési és személyi sérülésekhez vezet.
17. **Hacsak a szerszám nem támogatja a nagyfeszültségű elektromos vezetékek közelében történő használatot, ne használja az akkumulátort nagyfeszültségű elektromos vezetékek közelében.** Az a szerszám vagy az akkumulátor hibás működését vagy meghibásodását okozhatja.
18. **Tartsa távol a gyermekektől az akkumulátort.**

# ŐRIZZE MEG EZEKET AZ UTASÍTÁSOKAT.

**⚠ VIGYÁZAT:** Csak eredeti Makita akkumulátorokat használjon. A nem eredeti Makita akkumulátorok vagy módosított akkumulátorok használata esetén az akkumulátor felrobbanhat, ami tüzet, személyi sérülést és anyagi kárt okozhat. A Makita szerszáma és töltőre vonatkozó Makita garanciát is érvénytelenítheti.

## Tippek az akkumulátor maximális élettartamának eléréséhez

1. Töltse fel az akkumulátort, mielőtt teljesen lemerülne. Állítsa le a gépet, és töltsé fel az akkumulátort, ha a gép erejének csökkenését észleli.
2. Soha ne töltsé újra a teljesen feltöltött akkumulátort. A túltöltés csökkenti az akkumulátor élettartamát.
3. Töltse az akkumulátort szobahőmérsékleten, 10 °C - 40 °C (50 °F - 104 °F) között. Töltés előtt hagyja lehűlni a fölforrósodott akkumulátort.
4. Ha nem használja az akkumulátort, vegye ki a szerszámból vagy a töltőből.
5. Töltse fel az akkumulátort, ha hosszabb ideje (több mint hat hónapja) nem használta azt.

## A MŰKÖDÉS LEÍRÁSA

**⚠ VIGYÁZAT:** Minden esetben ellenőrizze, hogy a szerszám ki van kapcsolva és az akkumulátor eltávolításra került mielőtt beállít vagy ellenőriz valamilyen funkciót a szerszámon.

## Az akkumulátor behelyezése és eltávolítása

**⚠ VIGYÁZAT:** Mindig kapcsolja ki az eszközt, mielőtt behelyezi vagy eltávolítja az akkumulátort.

**⚠ VIGYÁZAT:** Az akkumulátor behelyezésekor vagy eltávolításakor erősen fogja meg a szerszámot és az akkumulátort, azok kicsúszhatnak a kezei közül, ami a szerszám és az akkumulátor károsodásához, de akár személyi sérüléshez is vezethet.

**⚠ VIGYÁZAT:** A körfűrészhez ne használjon akkumulátoradaptert. Az akkumulátoradapter kábele akadályozhatja a munkát, és személyi sérüléseket okozhat.

► **Ábra7:** 1. Piros jel 2. Gomb 3. Akkumulátor

Az akkumulátoregység kivételéhez nyomja be az akkumulátoregység elején található gombot, és húzza le a gépről.

Az akkumulátor beszereléséhez illessze az akkumulátor nyelvét a burkolaton található vágatba, és csúsztassa a helyére. Egészen addig tolja be, amíg az akkumulátor egy kis kattanással a helyére nem ugrik. Ha látható a

piros jel az ábrán látható módon, akkor nem kattant be teljesen.

**⚠ VIGYÁZAT:** Mindig tolja be teljesen az akkumulátort, amíg a piros jel el nem tűnik. Ha ez nem történik meg, akkor az akkumulátor kieshet a szerszámból, és Önnek vagy a környezetében másnak sérülést okozhat.

**⚠ VIGYÁZAT:** Ne erőltesse az akkumulátort behelyezéskor. Ha az akkumulátor nem csúszik be könnyedén, akkor nem megfelelően lett behelyezve.

## Szerszám-/akkumulátorvédő rendszer

A gép szerszám-/akkumulátorvédő rendszerrel van felszerelve. A rendszer automatikusan kikapcsolja a motor áramellátását, így megnöveli a szerszám és az akkumulátor élettartamát. A gép használat közben automatikusan leáll, ha a szerszám vagy az akkumulátor a következő állapotba kerül. Ezek némelyikében a jelzőfények világítanak.

## Túlterhelésvédelem

Ha a szerszámot/akkumulátort úgy használják, hogy az rendellenesen nagy áramot vesz fel, a szerszám automatikusan leáll. Ilyenkor kapcsolja ki a szerszámot, és fejezze be azt a műveletet, amelyik a túlterhelést okozza. A munka újrakezdéséhez kapcsolja be a szerszámot.

## Túlmelegedés elleni védelem

Ha a szerszám/akkumulátor túlmelegedett, automatikusan leáll. Ilyenkor hagyja lehűlni a szerszámot, mielőtt ismét bekapcsolná.













## Mélykisütés elleni védelem






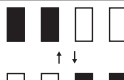
Amikor az akkumulátor kapacitása lecsökken, a gép automatikusan leáll. Ha a készülék a gombokkal sem működtethető, vegye ki az akkumulátort és töltsé fel.

## Az akkumulátor töltöttségének jelzése

Nyomja meg az ellenőrzőgombot, hogy az akkumulátortöltöttség-jelző megmutassa a hátralévő akkumulátor-kapacitást. Ekkor a töltöttségjelző lámpák néhány másodpercre kigyulladnak.

► **Ábra8:** 1. Jelzőlámpák 2. Check (ellenőrzés) gomb

Jelzőlámpák			Töltöttségi szint
Világító lámpa	KI	Villogó lámpa	
			
			75%-tól 100%-ig
			50%-tól 75%-ig
			25%-tól 50%-ig

Jelzőlámpák			Töltöttségi szint
 Világító lámpa	 KI	 Villogó lámpa	
			0%-tól 25%-ig
			Töltse fel az akkumulátort.
			Lehetséges, hogy az akkumulátor meghibásodott.

**MEGJEGYZÉS:** Az adott munkafeltételektől és a környezet hőmérsékletétől függően a jelzett töltöttségi szint némileg eltérhet a tényleges töltöttségi szinttől.

**MEGJEGYZÉS:** Az első (bal oldali szélső) jelzőlámpa villog, ha az akkumulátorvédelem rendszer működik.

## Automatikus sebességváltó funkció

A szerszám „magas fordulatszámú módban” és „nagy nyomatékú módban” is képes működni. A szerszám a terhelés függvényében automatikusan vált az üzemmódok között. Ha a terhelés kicsi, a szerszám „magas fordulatszámú módban” működik, így gyors fűrészelést tesz lehetővé. Ha a terhelés nagy, a szerszám „nagy nyomatékú módban” működik, így nagy teljesítményű fűrészelést tesz lehetővé.

## A vágási mélység beállítása

**VIGYÁZAT:** A vágási mélység beállítása után mindig erősen húzza meg a kart.

Lazítsa meg a mélységvezetőn található kart, és mozgassa a talplemezt felfelé vagy lefelé. A kívánt vágási mélység beállítása után a kar meghúzásával rögzítse a talplemezt.

A tisztább és biztonságosabb vágás érdekében úgy állítsa be a vágási mélységet, hogy a fűrésztárcsának legfeljebb egy foga nyúljon túl a munkadarabon. A megfelelően megválasztott vágási mélységgel a veszélyes VISSZARÚGÁSOK és az azok okozta személyi sérülések megelőzhetők.

► **Ábra9:** 1. Kar

## Ferdevágás

**VIGYÁZAT:** A ferdevágási szög beállítása után mindig jól húzza meg a kart.

Lazítsa meg a kart, a döntésével állítsa be a kívánt szöveget, majd ismét húzza meg a kart.

► **Ábra10:** 1. Kar

## Ütköző

Az ütköző segít a kívánt szög gyors beállításában. Fordítsa el az ütközőt úgy, hogy a rajta levő nyíl a kívánt ferdevágási szög irányába mutasson (körülbelül 22,5°/45°/53°). Lazítsa meg a kart, majd addig döntse a szerszám talplemezét, amíg az meg nem áll. A pozíció,

ahol a szerszám talplemeze megáll, az a szög lesz, amelyet az ütköző segítségével beállított. Húzza meg a kart úgy, hogy a szerszám talplemeze ebben a pozícióban legyen.

► **Ábra11:** 1. Ütköző

## Írányzás

Egyenes vágásokhoz igazítsa a talplemez elején található 0°-os pozíciót a vágásvonalra. A 45°-os ferdevágáshoz igazítsa a 45°-os pontot a vonalra.

► **Ábra12:** 1. Vágási vonal (0°-os helyzet) 2. Vágási vonal (45°-os helyzet)

## A kapcsoló használata

**FIGYELMEZTETÉS:** Mielőtt behelyezi az akkumulátort a szerszámba, mindig ellenőrizze, hogy a kapcsológomb hibátlanul működik és felengedéskor „OFF” állásba áll-e.

**FIGYELMEZTETÉS:** NE gátolja a reteszelő kapcsoló üzemszerű működését azzal, hogy leragasztja, vagy más módon kitémasztja. Az üzemméptelenné tett kapcsoló a gép szándékolatlan beindulásához vezethet, ami súlyos személyi sérüléssel járhat.

**FIGYELMEZTETÉS:** SOHA ne használja ezt a szerszámot, ha az akkor is beindul amikor Ön a reteszelőgomb megnyomása nélkül húzza meg a kapcsológombot. A javításra szoruló kapcsoló a gép szándékolatlan beindulásához vezethet, ami súlyos személyi sérüléssel járhat. A további használat ELŐTT vigye a szerszámot javításra egy MAKITA szervizközpontba.

**VIGYÁZAT:** Miután elengedi a kapcsológombot, a szerszám azonnal elkezd fékezni a körfűrész-tárcsa forgását. A kapcsológomb elengedésekor tartsa erősen a szerszámot, hogy válaszoljon a fékezési reakcióra. A hirtelen reakció kitépheti a szerszámot a kezéből, és személyi sérülést okozhat.

A kapcsológomb véletlen működtetését reteszelő gomb gátolja meg. A szerszám bekapcsolásához nyomja le a kireteszelőgombot és húzza meg a kapcsológombot. A megállításához engedje el a kapcsológombot.

► **Ábra13:** 1. Kapcsológomb 2. Reteszelőgomb

**MEGJEGYZÉS:** Ne húzza túlzott erővel a kapcsológombot úgy, hogy nem nyomta be a reteszelőgombot. Ez a kapcsoló törését okozhatja.

## Elektromos fék

A szerszám elektromos tárcsafékkal rendelkezik. Ha a szerszámnak rendszeresen nem sikerül gyorsan megállítania a körfűrész-tárcsát a kapcsolókar felengetése után, szervizeltesse a szerszámot a Makita szervizközpontban.

**VIGYÁZAT:** A tárcsafékrendszer nem helyettesíti a tárcsavédőt. SOHASE HASZNÁLJA A SZERSZÁMOT MŰKÖDŐ TÁRCSAVÉDŐ NÉLKÜL. SÚLYOS SZEMÉLYI SÉRÜLÉST OKOZHAT.

## Elektronikus funkció

Az elektronikus funkciókkal ellátott szerszámokat könyvrnyű működtetni a következő jellemzők miatt.

### Lágyindítás

A lágyindítás az indulási lökést gátolja meg.

## ÖSSZESZERELÉS

**⚠ VIGYÁZAT:** Minden esetben ellenőrizze, hogy a szerszám ki van kapcsolva és az akkumulátort levette, mielőtt bármilyen műveletet végez a szerszámon.

### Ellentartó villáskulcs tárolása

Amikor nem használja, tárolja az ellentartó villáskulcsot az ábrán látható módon, nehogy elveszzen.

► **Ábra14:** 1. Ellentartó villáskulcs

### A körfűrész-tárcsa felszerelése és eltávolítása

**⚠ VIGYÁZAT:** Ügyeljen arra, hogy a körfűrész-tárcsát úgy szerelje fel, hogy a fogak a szerszám elejénél felfelé mutassanak.

**⚠ VIGYÁZAT:** A körfűrész-tárcsa felszereléséhez vagy eltávolításához csak a Makita ellentartó villáskulcsot használja.

### A körfűrész-tárcsa felszerelése

**MEGJEGYZÉS:** Előfordulhat, hogy a körfűrész-tárcsát már felszerelték a kiszállítás időpontjában.

1. Nyomja be teljesen a tengelyretest, hogy a tartótengely ne tudjon elfordulni, és lazítsa meg az imbuszcscavart az ellentartó villáskulccsal. Távolítsa el az imbuszcscavart és a külső illesztőperemet.

► **Ábra15:** 1. Tengelyretest 2. Ellentartó villáskulcs 3. Lazítás 4. Meghúzás

2. Szerelje fel a belső illesztőperemet, a gyűrűt (országfüggő), a körfűrész-tárcsát, a külső illesztőperemet és az imbuszfejű csavart. Ekkor igazítsa a tárcsán lévő nyíl irányát a szerszámon lévő nyílhoz.

#### Gyűrű nélküli szerszám

► **Ábra16:** 1. Imbuszcscavar 2. Külső illesztőperem 3. Körfűrész-tárcsa 4. Nyíl a körfűrész-tárcsán 5. Belső illesztőperem 6. Nyíl a szerszámon

#### Gyűrűvel felszerelt szerszám

► **Ábra17:** 1. Imbuszcscavar 2. Külső illesztőperem 3. Körfűrész-tárcsa 4. Nyíl a körfűrész-tárcsán 5. Gyűrű 6. Belső illesztőperem 7. Nyíl a szerszámon

3. Nyomja meg a tengelyretest és húzza meg az imbuszcscavart.

## 15,88 mm-es belső furatátmérőtől eltérő belső illesztőperemmel rendelkező fűrész-tárcsa esetén

A belső illesztőperem bizonyos átmérőjű kiemelkedéssel rendelkezik az egyik oldalán, valamint egy eltérő átmérőjű kiemelkedéssel rendelkezik a másik oldalán. Válassza ki azt az oldalt, melynek kiemelkedése tökéletesen beleillik a körfűrész-tárcsa nyílásába. Szerelje fel a belső illesztőperemet a tartótengelyre úgy, hogy a belső illesztőperem megfelelő kiemelkedéssel rendelkező oldala kifele nézzen, majd helyezze fel a körfűrész-tárcsát és a külső illesztőperemet.

► **Ábra18:** 1. Tartótengely 2. Belső illesztőperem 3. Körfűrész-tárcsa 4. Külső illesztőperem 5. Imbuszcscavar

**⚠ FIGYELMEZTETÉS:** AZ IMBUSZCSAVART AZ ÓRAMUTATÓ JÁRÁSAVAL ELLENTÉTES IRÁNYBAN, SZOROSAN HÚZZA MEG. Arra is ügyeljen, hogy ne erőltesse a csavart. Ha lecsúszik a keze az imbuszkulcsról, személyi sérülés következhet be.

**⚠ FIGYELMEZTETÉS:** Ügyeljen arra, hogy a kifele néző „a” kiemelkedés a belső illesztőperemen tökéletesen illeszkedjen a fűrész-tárcsa „a” nyílásába. Amennyiben a körfűrész-tárcsát a rossz oldalra szereli fel, veszélyes rezgés jöhet létre.

## 15,88 mm-es belső furatátmérővel rendelkező, belső illesztőperemet használó fűrész-tárcsához (az országra jellemző)

Helyezze fel a hornyolt oldalával kifele néző belső illesztőperemet a tartótengelyre, majd helyezze fel a fűrész-tárcsát (a mellékelt gyűrűvel, ha szükséges), a külső illesztőperemet és az imbuszcscavart.

#### Gyűrű nélküli szerszám

► **Ábra19:** 1. Tartótengely 2. Belső illesztőperem 3. Körfűrész-tárcsa 4. Külső illesztőperem 5. Imbuszcscavar

#### Gyűrűvel felszerelt szerszám

► **Ábra20:** 1. Tartótengely 2. Belső illesztőperem 3. Körfűrész-tárcsa 4. Külső illesztőperem 5. Imbuszcscavar 6. Gyűrű

**⚠ FIGYELMEZTETÉS:** AZ IMBUSZCSAVART AZ ÓRAMUTATÓ JÁRÁSAVAL ELLENTÉTES IRÁNYBAN, SZOROSAN HÚZZA MEG. Arra is ügyeljen, hogy ne erőltesse a csavart. Ha lecsúszik a keze az imbuszkulcsról, személyi sérülés következhet be.

**⚠ FIGYELMEZTETÉS:** Ha gyűrűvel kell felszerelni a körfűrész-tárcsát a tengelyre, mindig ellenőrizze, hogy a használni kívánt tárcsa tengelyfuratának megfelelő gyűrű van-e a belső és külső illesztőperem közé helyezve. A tengelyfuratnak nem megfelelő gyűrű használata esetén a körfűrész-tárcsát nem lehet megfelelően felszerelni, az elmozdulva jelentős rezgést kelthet, ami a szerszám feletti uralom elvesztésével és súlyos személyi sérülésekkel járhat.

## A körfűrész tárcsa eltávolítása

1. Nyomja be teljesen a tengelyretest, hogy a tartó-tengely ne tudjon elfordulni, és lazítsa meg az imbuzscsavart az ellentartó villáskulccsal. Ezután távolítsa el az imbuzscsavart, a külső illesztőperemet, a körfűrész tárcsáját és a gyűrűt (országfüggő).
2. A szerszám tárolásához szerelje fel a külső illesztőperemet, és kézzel enyhén húzza meg az imbuzscsavart, hogy megakadályozza, hogy elveszzenek.

## Fűrészlapvédő tisztítása

A körfűrész tárcsa cseréjekor ügyeljen rá, hogy megtisztítsa a felső és alsó fűrészlapvédőt a lerakódott fűrészportól a Karbantartás fejezetben ismertetett módon. Ezek a műveletek ugyanakkor nem helyettesítik az alsó fűrészlapvédő működésének minden használat előtt szükséges ellenőrzését.

## Porszívó csatlakoztatása

### Opcionális kiegészítők

**MEGJEGYZÉS:** Tárolja a gumidugót a szerszám elején, hogy megelőzze az elvesztését.

**MEGJEGYZÉS:** Amikor nem használja a porszívót, tegye a gumidugót a porkifúvóra.

Távolítsa el a gumidugót a porkifúvóról, és csatlakoztassa a porszívó csövét.

► **Ábra21:** 1. Gumidugó

Ha tiszta vágást szeretne végezni, csatlakoztasson egy Makita porszívót a szerszámhoz. Csatlakoztassa a porszívó csövét a porkifúvóhoz a 24-es elülső karmantyú segítségével.

► **Ábra22:** 1. Porszívó csöve 2. Elülső karmantyú (24) 3. Porkifúvó 4. Gumidugó

## MŰKÖDTETÉS

A szerszám csak fából készült termékek vágására szolgál.

A vágandó anyaghoz használandó megfelelő körfűrész tárcsát nézze meg a weboldalunkon vagy vegye fel a kapcsolatot a helyi Makita kereskedővel.

## A fűrész tárcsavédő ellenőrzése

Távolítsa el az akkumulátort.

Állítsa a ferdevágási szöveget 0°-ra, majd húzza vissza kézzel az alsó védőt végig, és engedje el. Az alsó védő akkor működik rendesen, ha;

- akadály nélkül vissza lehet húzni az alapelemz felett, és;
- automatikusan visszatér, és hozzáér az ütközőhöz.

► **Ábra23:** 1. Felső védő 2. Alsó védő 3. Alapelemz 4. Ütköző 5. Nyitás 6. Zárás

Ha az alsó védő nem működik rendesen, ellenőrizze, hogy nem gyűlt-e fűrészpor belül a felső és alsó védő között. Ha az alsó védő nem működik rendesen a por eltávolítása után sem, javíttassa meg a szerszámot egy Makita szervizközpontban.

**▲ VIGYÁZAT:** A vágási művelet végzésekor viseljen pormaszkot.

**▲ VIGYÁZAT:** Figyeljen oda, hogy a szerszámot egyenes vonal mentén, folyamatosan tolja előre. A szerszám erőltetése vagy csavarása a motor túlmelegedéséhez vezet, valamint veszélyes visszahúgásokat eredményez, amelyek súlyos sérüléseket okozhatnak.

**MEGJEGYZÉS:** Ha az akkumulátor hőmérséklete túl alacsony, előfordulhat, hogy a szerszám nem működik teljes teljesítménnyel. Ebben az esetben használja egy ideig könnyű munkákhoz a szerszámot, amíg az akkumulátor szobahőmérsékletűvé válik. Ezután a szerszám teljes kapacitással fog működni.

### ► Ábra24

Biztosan tartsa a szerszámot. A szerszám elülső markolattal és hátsó fogantyúval emelhető. A szerszámot mindkettőnél fogva tartsa. Ha két kézzel tartja a fűrész, akkor a körfűrész tárcsa nem vághatja el a kezét. A szerszám talpát helyezze a vágandó munkadarabra, úgy, hogy a körfűrész tárcsa ne érintkezzen vele. Ezután kapcsolja be a szerszámot, majd várja meg, amíg a körfűrész tárcsa eléri maximális fordulatszámát. Ekkor mozgassa előre a szerszámot a munkadarab felszínén úgy, hogy közben laposan tartja, és finoman tolja előre, míg a vágás be nem fejeződik.

A tiszta vágás érdekében tartsa egyenesen a vágási vonalat, és alkalmazzon egyenes elöretolási sebességet. Ha a vágás nem követi megfelelően a kívánt vágási vonalat, ne próbálja meg a szerszámot elfordítani vagy visszaerőltetni a vonalra! Ekkor ugyanis a körfűrész tárcsa megakadhat, ami veszélyes visszahúgáshoz és súlyos sérüléshez vezethet. Engedje fel a kapcsolót, várja meg, hogy a körfűrész tárcsa leálljon, majd emelje el a munkadarabról a szerszámot. Állítsa rá a szerszámot az új vágási vonalra, majd kezdje meg ismét a vágást. Próbálja meg elkerülni azt a testhelyzetet, amelynél a szerszám kezelője a fűrész által kidobott forgácsok és fűrészpor útjába kerül. Használjon védőszemüveget a sérülések megelőzése érdekében.

## Akasztó

**▲ VIGYÁZAT:** Mindig vegye ki az akkumulátort a szerszámból, amikor felakasztja azt az akasztóval.

**▲ VIGYÁZAT:** Soha ne akassza magasra vagy olyan helyre a szerszámot, ahol az kibillenhet az egyensúlyából és leeshet. Máskülönben a leesés balesetet és súlyos sérülést okozhat.

**▲ VIGYÁZAT:** Ne húzza lefelé a szerszámot, ha fel van akasztva.

**▲ VIGYÁZAT:** Csak a rendeltetésszerű céljukra használja az akasztó/szerelési alkatrészeket. A nem rendeltetésszerű célra történő használat balesetet vagy személyi sérülést okozhat.

Az akasztó a szerszám ideiglenes felakasztására használható. Használatához egyszerűen emelje felfelé az akasztót addig, amíg be nem pattan a nyitott állásba. Amikor nem használja, mindig engedje le az akasztót addig, amíg be nem pattan a zárt állásba.

► **Ábra25:** 1. Akasztó 2. Nyitott állás 3. Zárt állás

## Párhuzamvezető (vezetővonalzó)

### Opcionális kiegészítők

A praktikus párhuzamvezető extra pontos egyenes vágások elvégzését teszi lehetővé. Egyszerűen illeszse a párhuzamvezetőt a munkadarab oldalához, és rögzítse azt a talplemez elején található csavarral. Ezzel lehetővé válik egymás után több azonos szélességű vágás is.

- ▶ **Ábra27:** 1. Párhuzamvezető (vezetővonalzó)  
2. Szorítócsavar

## Rögzítőkötél (heveder) csatlakozó

**▲ Biztonsági figyelmeztetések speciálisan a magasban történő használatához**  
**Olvassa el az összes biztonsági figyelmeztetést és utasítást.** Ha nem tartja be a figyelmeztetéseket és utasításokat, az súlyos sérülést okozhat.

- Mindig tartsa kikötve a szerszámot, ha „magasban” dolgozik.** A rögzítőkötél maximális hossza 2 m (6,5 láb).  
A rögzítőkötél (heveder) maximális megengedett esési hossza nem haladhatja meg a 2 m-t (6,5 lábat).
- Csak az ennek a szerszám típusnak megfelelő és legalább 7,0 kg (15,4 font) -ra méretezett rögzítőkötelekkel használja.**
- Ne rögzítse a szerszám rögzítőkötélét semmilyen a testén található tárgyhoz, sem mozgó elemekhez. Rögzítse a szerszám rögzítőkötélét merev szerkezethez, amely ellen tud állni a leeső szerszám keltette erőknél.**
- Használat előtt győződjön meg róla, hogy a rögzítőkötél mindkét végén megfelelően van rögzítve.**
- Minden használat előtt vizsgálja meg a szerszámot és a rögzítőkötelet (az anyagot és a varratokat is), nem sérült-e, és megfelelően működik-e. Ne használja, ha sérült vagy nem működik megfelelően.**
- Ne tekerje a rögzítőköteletet semmi köré, és ne engedje, hogy éles vagy durva éllel érintkezzenek.**
- Rögzítse a rögzítőkötél másik végét a munkaterületen kívülre, hogy a leeső szerszámot biztosan megtartsa.**
- Úgy rögzítse a rögzítőkötelet, hogy ha leesik a szerszám, távolodjon a kezelőtől.** A leejtett szerszámok a rögzítőkötélen fognak lengeni, ez sérülést vagy egyensúlyvesztést okozhat.
- Ne használja mozgó alkatrészek vagy működő gépezetek közelében.** Ha ezt elmulasztja, fennáll az összetörés vagy rátekeredés veszélye.
- Ne hordja az eszközt a tartozékánál vagy a rögzítőkötélénél fogva.**
- Csak akkor tegye át a szerszámot egyik kezéből a másikba, ha megfelelő egyensúlyt tud tartani.**
- Ne csatlakoztassa a rögzítőköteletet a szerszámhoz oly módon, hogy megakadályozza a védők, csatlakozók vagy reteszek megfelelő**

működését.

- Vigyázzon, ne gabalyodjon bele a rögzítőkötélbe.**
  - Tartsa távol a rögzítőkötelet a szerszám vágási helyétől.**
  - Használjon többlépcsős vagy csavaros típusú karabinereket. Ne használjon egyszerű rugós billentyűs karabinereket.**
  - Abban az esetben, ha a szerszámot leejtik, meg kell jelölni, ki kell vonni a használatból, és meg kell vizsgáltatni egy Makita gyárban vagy hivatalos szervizközpontban.**
- ▶ **Ábra28:** 1. Lyuk a rögzítőkötél (heveder) részére

## KARBANTARTÁS

**▲ VIGYÁZAT:** Minden esetben ellenőrizze, hogy a szerszám ki van kapcsolva és az akkumulátor eltávolításra került mielőtt átvizsgálja a szerszámot vagy annak karbantartását végzi.

**▲ VIGYÁZAT:** Tisztítsa meg a felső és alsó fűrészlapvédőt a felgyűlt fűrészportól, amely gátolhatja az alsó védőrendszer megfelelő működését. A szennyezett védőrendszer korlátozhatja a megfelelő működést, ami súlyos személyi sérüléshez vezethet. A tisztítást leghehétkonyabban sűrített levegővel végezheti el. **Ha port fúvat ki a fűrészlapvédőkből, viseljen megfelelő szem- és légzésvédő eszközt.**

**▲ VIGYÁZAT:** Minden használat után törölje le a fűrészport a szerszámról. A finom fűrészpor a szerszám belsejébe juthat, és hibás működést vagy tüzet okozhat.

**MEGJEGYZÉS:** Soha ne használjon gázolajt, benzint, hígítót, alkoholt vagy hasonló anyagokat. Ezek elszennyeződést, alakvesztést vagy repedést okozhatnak.

A termék BIZTONSÁGÁNAK és MEGBIZHATÓSÁGÁNAK fenntartása érdekében a javításokat és más karbantartásokat vagy beállításokat a Makita hivatalos vagy gyári szervizközpontjában kell elvégezni, mindig csak Makita cserealkatrészeket használva.

## A 0°-os vágási pontosság beállítása

Ezt a beállítást a gyárban már elvégezték. Ha viszont elállítódott, az alábbi eljárással beállíthatja.

- Enyhén lazítsa meg a ferdévágási mérőlemezen található kart.
  - Állítsa a talplemezt a tárcsával merőlegesre egy háromszögvonalzó vagy egy derékszögű vonalzó segítségével, a beállítócsavar forgatásával.
- ▶ **Ábra29:** 1. Háromszögvonalzó 2. Beállítócsavar
- Szorítsa meg a kart, és végezzen egy próbavágást a függőlegesség ellenőrzésére.

# OPCIONÁLIS KIEGÉSZÍTŐK

**⚠ VIGYÁZAT:** Ezen kiegészítőket és tartozékokat javasoljuk a kézikönyvben ismertetett Makita szerszámhoz. Bármilyen más kiegészítő vagy tartozék használata a személyi sérülés kockázatával jár. A kiegészítőt vagy tartozékot csak rendeltetésszerűen használja.

Ha bármilyen segítségre vagy további információkra van szüksége ezekkel a tartozékokkal kapcsolatban, keresse fel a helyi Makita Szervizközpontot.

- Körfűrész tárcsa
- Ellentartó villáskulcs
- Párhuzamvezető (vezetővonalzó)
- Elülős karmantyú (24)
- Eredeti Makita akkumulátor és töltő

**MEGJEGYZÉS:** A listán felsorolt néhány kiegészítő megtalálható az eszköz csomagolásában standard kiegészítőként. Ezek országonként eltérőek lehetnek.

## TECHNICKÉ ŠPECIFIKÁCIE

<b>Model:</b>		<b>RS001G</b>
Priemer čepele		185 mm
Maximálna hĺbka rezu	pri 0°	65 mm
	pri skosení 45°	45 mm
	pri skosení 53°	38 mm
Otáčky naprázdno		6 400 min <sup>-1</sup>
Celková dĺžka		446 mm
Menovité napätie		Jednosmerný prúd 36 V – 40 V max.
Čistá hmotnosť		5,0 – 6,2 kg

- Vzhľadom k neustálemu výskumu a vývoju podliehajú technické údaje uvedené v tomto dokumente zmenám bez upozornenia.
- Technické údaje sa môžu pre rôzne krajiny líšiť.
- Hmotnosť sa môže líšiť v závislosti od nadstavcov vrátane akumulátora. Najľahšia a najťažšia kombinácia v súlade s postupom EPTA 01/2014 je uvedená v tabuľke.

### Použiteľné akumulátory a nabíjačky

Akumulátor	BL4020 / BL4025 / BL4040* / BL4040F* / BL4050F* / BL4080F* * : Odporúčany akumulátor
Nabíjačka	DC40RA / DC40RB / DC40RC

- Niektoré vyššie uvedené akumulátory a nabíjačky môžu byť nedostupné v závislosti od miesta vášho bydliska.

**VAROVANIE:** Používajte iba akumulátory a nabíjačky zo zoznamu uvedeného vyššie. Používanie akýchkoľvek iných akumulátorov a nabíjačiek môže spôsobiť zranenie a/alebo požiar.

### Určené použitie

Tento nástroj je určený na vykonávanie pozdĺžnych a priečných priamych rezov a zrezávanie dreva v uhloch s pevným kontaktom s obrobkom.

### Hluk

Typická hladina akustického tlaku záťaže A určená podľa štandardu EN62841-2-5:  
Úroveň akustického tlaku ( $L_{pA}$ ) : 95 dB (A)  
Úroveň akustického výkonu ( $L_{WA}$ ) : 103 dB (A)  
Odchýlka (K): 3 dB (A)

**POZNÁMKA:** Deklarovaná hodnota emisií hluku bola meraná podľa štandardnej skúšobnej metódy a môže sa použiť na porovnanie jedného nástroja s druhým.

**POZNÁMKA:** Deklarovaná hodnota emisií hluku sa môže použiť aj na predbežné posúdenie vystavenia ich účinkom.

**VAROVANIE:** Používajte ochranu sluchu.

**VAROVANIE:** Emisie hluku sa môžu počas skutočného používania elektrického nástroja odlišovať od deklarovanej hodnoty, a to v závislosti od spôsobov používania náradia a najmä typu spracúvaného obrobku.

**VAROVANIE:** Nezabudnite označiť bezpečnostné opatrenia s cieľom chrániť obsluhu, a to tie, ktoré sa zakladajú na odhade vystavenia účinkom v rámci reálnych podmienok používania (berúc do úvahy všetky súčasti prevádzkového cyklu, ako sú doby, kedy je nástroj vypnutý a kedy beží bez zaťaženia, ako dodatok k dobe zapnutia).

### Vibrácie

Celková hodnota vibrácií (trojosový vektorový súčet) určená podľa štandardu EN62841-2-5:  
Režim činnosti: rezanie dreva  
Emisie vibrácií ( $a_{h,W}$ ) : 2,5 m/s<sup>2</sup> alebo menej  
Odchýlka (K): 1,5 m/s<sup>2</sup>

**POZNÁMKA:** Deklarovaná celková hodnota vibrácií bola meraná podľa štandardnej skúšobnej metódy a môže sa použiť na porovnanie jedného nástroja s druhým.

**POZNÁMKA:** Deklarovaná celková hodnota vibrácií sa môže použiť aj na predbežné posúdenie vystavenia ich účinkom.

**VAROVANIE:** Emisie vibrácií sa môžu počas skutočného používania elektrického nástroja odlišovať od deklarovanej hodnoty, a to v závislosti od spôsobov používania náradia a najmä typu spracúvaného obrobku.

**VAROVANIE:** Nezabudnite označiť bezpečnostné opatrenia s cieľom chrániť obsluhu, a to tie, ktoré sa zakladajú na odhade vystavenia účinkom v rámci reálnych podmienok používania (berúc do úvahy všetky súčasti prevádzkového cyklu, ako sú doby, kedy je nástroj vypnutý a kedy beží bez zaťaženia, ako dodatok k dobe zapnutia).

## Vyhľadania o zhode

### Len pre krajiny Európy

Vyhľadania o zhode sa nachádzajú v prílohe A tohto návodu na obsluhu.

## BEZPEČNOSTNÉ VAROVANIA

### Všeobecné bezpečnostné predpisy pre elektrické nástroje

**VAROVANIE** Preštudujte si všetky bezpečnostné varovania, pokyny, vyobrazenia a technické špecifikácie určené pre tento elektrický nástroj. Pri nedodržaní všetkých nižšie uvedených pokynov môže dôjsť k úrazu elektrickým prúdom, požiaru alebo vážnemu zraneniu.

### Všetky výstrahy a pokyny si odložte pre prípad potreby v budúcnosti.

Pojem „elektrický nástroj“ sa vo výstrahách vzťahuje na elektrický napájané elektrické nástroje (s káblom) alebo batériu napájané elektrické nástroje (bez kábla).

### Bezpečnostné varovania pre akumulátorovú kotúčovú pílu

#### Postupy rezania

- NEBEZPEČENSTVO:** Ruky držte mimo oblasti rezania a čepele. Druhou rukou držte na pomocnej rúčke alebo kryte motora. Ak držíte pílu oboma rukami, neporežete si ich čepeľou.
- Nesiahajte pod obrobok. Kryt vás neochráni pred čepeľou pod obrobkom.
- Hĺbku rezania prispôbte hrúbke obrobku. Čepeľ by nemala presahovať pod obrobok o viac ako celý zub čepele.
- Počas rezania nikdy nedržte obrobok rukami ani krížom cez nohu. Zaistíte obrobok k stabilnému povrchu. Je dôležité obrobok správne podprieť, aby sa minimalizovalo vystavenie tela, riziko zovretia ostria alebo strata kontroly.

► Obr.1

- Pri práci, pri ktorej by sa rezný nástroj mohol dostať do kontaktu so skrytým vedením, držte elektrický nástroj za izolované úchopné povrchy. Kontakt s vodičom pod napätím môže spôsobiť vedenie prúdu nechránenými kovovými časťami elektrického náradia a ohroziť tak obsluhu zásahom elektrickým prúdom.
- Pri pozdĺžnom rezaní vždy používajte vodidlo na pozdĺžne rezanie alebo vodiaci prvok s rovným okrajom. Takto vylepšíte presnosť rezu a znížite možnosť zaseknutia čepele.
- Vždy používajte čepele so správnou veľkosťou a tvarom otvorov na hriadeľ (diamantový alebo okrúhly). Čepele, ktoré nezodpovedajú spôsobu uchytienia na píle, sa budú pohybovať excentricky a spôsobia stratu kontroly.
- Nikdy nepoužívajte poškodené alebo nesprávne podložky alebo maticové skrutky na čepeľ. Podložky alebo maticové skrutky na čepeľ boli špeciálne vyrobené pre vašu pílu na dosiahnutie optimálneho výkonu a bezpečnej prevádzky.

#### Príčiny spätného nárazu a príslušné varovania

- spätný náraz je náhla reakcia na zovretú, zaseknutú alebo vyosenú čepeľ píly, ktorá spôsobí nekontrolované nadvihnutie a odhodenie píly od obrobku smerom k obsluhujúcej osobe;
- keď sa čepeľ zovrie alebo tesne zablokuje zvierajúcim sa zárezom, čepeľ stratí rýchlosť a reakcia motora rýchlo odrazí jednotku dozadu smerom k obsluhujúcej osobe;
- ak sa čepeľ v reze skrúti alebo vyosí, zuby na zadnom okraji čepele sa môžu zarezat' do horného povrchu dreva a spôsobiť zdvihnutie čepele zo zárezu a dozadu smerom k obsluhujúcej osobe.

Spätný náraz je výsledok nesprávneho používania píly a/alebo nesprávnych prevádzkových postupov alebo podmienok a možno sa mu vyhnúť vykonaním príslušných protipatrení uvedených nižšie.

- Pílu držte pevne oboma rukami a ramená držte tak, aby ste odolali sile spätného nárazu. Postavte sa k čepeľi z boku, nestojte v línii čepele.** Spätný náraz by mohol spôsobiť odskočenie píly dozadu, ale spätý náraz môže obsluhujúca osoba zvládnuť, ak vykoná príslušné protipatrenia.
- Keď sa čepeľ zovrie alebo keď z nejakého dôvodu prerušíte rezanie, uvoľnite spínač a držte pílu bez pohnutia v materiáli, kým sa čepeľ úplne nezastaví. Nikdy nevyberajte pílu zo zárezu ani ju neťahajte dozadu, kým sa čepeľ píly pohybuje, inak môže dôjsť k spätnému nárazu.** Zistíte a vykonajte nápravné kroky a eliminujte príčinu zvierania čepele.
- Pri opätovnom spúšťaní píly v obrobku vycentrujte čepeľ píly v záreze a skontrolujte, či zuby píly nie sú vnorené do materiálu.** Ak je čepeľ píly zovretá, môže sa pri opätovnom spustení píly vysunúť zo zárezu alebo odraziť od obrobku.
- Veľké panely podoprite, aby sa minimalizovalo riziko zovretia alebo spätného nárazu čepele.** Veľké panely sa môžu prehýbať pod vlastnou váhou. Podpery treba umiestniť pod panel na oboch stranách do blízkosti línie rezu a do blízkosti okraja panela.

► Obr.2

### ► Obr.3

5. **Nepoužívajte tupé alebo poškodené čepele.** Nenaostrené alebo nesprávne pripravené čepele vytvárajú úzky zárez, čo spôsobuje nadmerné trenie, zovretie čepele a spätný náraz.
6. **Zaisťovacie páčky nastavenia hĺbky a skosenia čepele musia byť pred rezaním utiahnuté a zaistené.** Pohyb nastavenia čepele počas rezania môže viesť k zovretiu a spätnému nárazu.
7. **Pri rezaní do existujúcich stien alebo iných zakrytých plôch venujte práci maximálnu pozornosť.** Prenikajúca čepeľ môže prerezat' predmety s dôsledkom spätného nárazu.
8. **VŽDY držte nástroj pevne oboma rukami. NIKDY nedávajte ruku, nohu či ľubovoľnú časť tela pod základňu nástroja alebo za pílu, najmä pri vykonávaní priečnych rezov.** Ak dôjde k spätnému nárazu, píla by mohla ľahko odskočiť dozadu na vašu ruku, čo by mohlo spôsobiť vážne poranenie.

### ► Obr.4

9. **Nikdy pílu nepritláčajte nasilu. Pílu tlačte dopredu takou rýchlosťou, aby ostrie rezalo bez spomalenia.** Pritláčaním píly vznikne nerovnomerný rez, zníži sa presnosť a hrozí možný spätný náraz.

### Funkcia krytu

1. **Pred každým použitím skontrolujte, či sa spodný kryt správne uzavrel. Pílu nepoužívajte, ak sa spodný kryt nepohybuje voľne a okamžite sa neuzavrie. Nikdy neupínajte ani neupevňujte spodný kryt v otvorenej polohe.** Ak vám píla náhodou spadne, spodný kryt sa môže ohnúť. Nadvihnite spodný kryt pomocou zaťahovacej rúčky a skontrolujte, či sa pohybuje voľne a nedotýka sa ostria ani žiadnej inej časti vo všetkých rezných uhloch a hĺbkach.
2. **Skontrolujte funkčnosť pružiny spodného krytu. Ak kryt a pružina nefungujú správne, pred použitím ich treba opraviť.** Spodný kryt sa môže pohybovať pomaly, keď má poškodené časti, je zalepený nahromadenými zvyškami alebo nánosmi.
3. **Spodný kryt treba zatiahnuť manuálne len pri špeciálnych rezoch, ako sú „zapichovacie rezy“ a „zložené rezy“.** Nadvihnite spodný kryt pomocou zaťahovacej rúčky a pri preniknutí čepele do materiálu kryt uvoľnite. Pri všetkých ostatných spôsoboch pílenia by sa mal spodný kryt pohybovať automaticky.
4. **Pred tým, ako pílu položíte na stôl alebo dlážku, skontrolujte, či spodný kryt zakrýva ostrie.** Nechránená čepeľ v pohybe spôsobí spätný pohyb píly, pričom prereže všetko, čo jej bude stáť v ceste. Majte na pamäti, že Čepeľ trvá istý čas, kým sa po uvoľnení spínača zastaví.
5. **Ak chcete skontrolovať spodný kryt, otvorte ho rukou, potom ho uvoľnite a sledujte, ako sa uzavrie. Skontrolujte aj to, či sa zaťahovacia rúčka nedotýka puzdra nástroja.** Obnažené ostrie je VELMI NEBEZPEČNÉ a môže zapríčiniť vážne zranenie.

### Doplňujúce bezpečnostné varovania

1. **Pri rezaní vlhkého dreva, tlakom upraveného**

stavebného dreva alebo dreva obsahujúceho hrče postupujte mimoriadne opatrne. Zachovávajúte plynulý posuv nástroja bez znížovania rýchlosti čepele, aby ste predišli prehrievaniu hrotov čepele.

2. **Nepokúšajte sa odstraňovať rezaný materiál, kým sa čepeľ pohybuje. Než uchopíte odrezaný materiál, počkajte, kým sa čepeľ zastaví.** Čepeľ sa po vypnutí zastavuje postupne.
3. **Nerežte klince. Pred rezaním skontrolujte, či na stavebnom dreve nie sú klince, a v prípade potreby ich odstráňte.**
4. **Širšiu časť základne píly položte na tú časť obrobku, ktorá je pevne podopretá, nie na časť, ktorá odpadne po vykonaní rezu. Ak je obrobok krátky alebo malý, upnite ho svorkou. KRÁTKE KUSY NIKDY NEDRŽTE V RUKU!**

### ► Obr.5

5. **Pred odtiahnutím nástroja po vykonaní rezu vždy počkajte, kým sa dolný kryt zatvorí a čepeľ sa úplne zastaví.**
6. **Nikdy sa nesnažte píliť s kotúčovou pílou uchytenu vo zveráku spodnou časťou nahor. Takýto postup je extrémne nebezpečný a môže spôsobiť závažné nehody.**

### ► Obr.6

7. **Niektoré materiály obsahujú chemikálie, ktoré môžu byť jedovaté. Dávajte pozor, aby ste ich nevdychovali ani sa ich nedotýkali. Prečítajte si bezpečnostné informácie dodávateľa materiálu.**
8. **Čepele nezastavujte bočným tlakom na čepeľ píly.**
9. **Nepoužívajte žiadne brúsne kotúče.**
10. **Používajte čepeľ píly len s takým priemerom, aký je vyznačený na nástroji alebo aký je uvedený v návode.** Používanie čepele nesprávnej veľkosti môže negatívne ovplyvniť správnu ochranu čepele alebo činnosť krytu, v dôsledku čoho hrozí zranenie osôb.
11. **Čepeľ udržiavajte ostrú a čistú.** Guma a živica zatvrdnuté na čepeľi spomaľujú pílu a zvyšujú riziko spätného nárazu. Čepeľ udržiavajte čistú – vyberte ju z nástroja a potom ju vyčistite látkou na odstránenie gumy a živice, horúcou vodou alebo petrolejom. Nikdy nepoužívajte benzín.
12. **Pri práci s nástrojom používajte protiprachovú masku a ochranu sluchu.**
13. **Vždy používajte čepeľ píly určenú na rezanie materiálu, ktorý idete rezať.**
14. **Používajte len čepele píly s vyznačenou maximálnou rýchlosťou, ktorá sa rovná alebo je vyššia ako rýchlosť vyznačená na nástroji.**
15. **(Len pre európske krajiny) Pri rezaní dreva a podobných materiálov vždy používajte čepeľ, ktorá vyhovuje norme EN847-1.**
16. **Nástroj a súčasť položte na rovný a stabilný povrch. Inak môžu nástroj alebo súčasť spadnúť a spôsobiť zranenie.**

## TIETO POKYNY USCHOVAJTE.

**VAROVANIE:** NIKDY nepripustíte, aby seba-vedomie a dobrá znalosť výrobu (získané opakovým používaním) nahradili presné dodržiavanie bezpečnostných pravidiel pri používaní náradia. **NESPRAVNE POUŽÍVANIE** alebo nedodržiavanie bezpečnostných zásad uvedených v tomto návode môže viesť k vážnemu zraneniu.

## Dôležité bezpečnostné a prevádzkové pokyny pre akumulátor

1. Pred použitím akumulátora si prečítajte všetky pokyny a výstavné označenia na (1) nabíjačke akumulátorov, (2) akumulátore a (3) produkte používajúcom akumulátor.
2. Akumulátor nerozoberajte ani neupravujte. Môže to viesť k požiaru, nadmernému teplu alebo výbuchu.
3. Ak sa doba prevádzky príliš skráti, ihneď prerušte prácu. Môže nastať riziko prehriatia, možných popálením či dokonca explózie.
4. V prípade zasiahnutia očí elektrolytom ich vypláchnite čistou vodou a okamžite vyhľadajte lekársku pomoc. Môže dôjsť k strate zraku.
5. Akumulátor neskratujte:
  - (1) Nedotýkajte sa konektorov žiadnym vodivým materiálom.
  - (2) Neskladujte akumulátor v obale s inými kovovými predmetmi, napríklad klincami, mincami a pod.
  - (3) Akumulátor nevystavujte vode ani dažďu. Skrat akumulátora môže spôsobiť veľký tok prúdu, prehriatie, možné popáleniny či dokonca poruchu.
6. Nástroj ani akumulátor neskladujte a nepoužívajte na miestach s teplotou presahujúcou 50 °C (122 °F).
7. Akumulátor nespájajte, ani keď je vážne poškodený alebo úplne opotrebovaný. Akumulátor môže v ohni explodovať.
8. Akumulátor neprepichujte, neprežavajte, nedrvté, nehádzte ani ho nenarúšajte údermi o tvrdé predmety. Môže to viesť k požiaru, nadmernému teplu alebo výbuchu.
9. Nepoužívajte poškodený akumulátor.
10. Litium-iónové akumulátory, ktoré sú súčasťou náradia, podliehajú požiadavkám legislatívy o nebezpečnom tovare.

V prípade obchodnej prepravy, napr. dodanie tretími stranami či špeditérmi, sa musia dodržiavať špeciálne požiadavky na zabalenie a označenie. Pred prípravou položky na odoslanie sa vyžaduje konzultácia s odborníkom na nebezpečný materiál. Taktiež treba dodržiavať potenciálne podrobnejšie predpisy príslušnej krajiny. Prelepte alebo zakryte otvorené kontakty a zabaľte akumulátor tak, aby sa v balíku nemohol voľne pohybovať.
11. Akumulátor pri likvidácii odstráňte z nástroja a zlikvidujte ho na bezpečnom mieste. Akumulátor zlikvidujte v súlade s miestnymi nariadeniami.

12. Akumulátory používajte iba s výrobkami uvedenými spoločnosťou Makita. Inštalácia akumulátorov do nevyhovujúcich výrobkov môže spôsobiť požiar, nadmerné teplo, výbuch alebo únik elektrolytov.
13. Ak sa nástroj dlhší čas nepoužíva, odstráňte z neho akumulátor.
14. Akumulátor sa môže počas používania a po použití zohriať, čo môže spôsobiť popáleniny alebo popáleniny aj pri relatívne nízkej teplote. Pri manipulácii s horúcimi akumulátormi dávajte pozor.
15. Nedotýkajte sa svorky nástroja ihneď po použití, keďže sa mohla zohriať dostatočne na to, aby spôsobila popáleniny.
16. Zabráňte zachytávaniu triesok, prachu alebo zeminy na svorkách, otvoroch a drážkach akumulátora. Môže to spôsobiť zohriatie, požiar, výbuch a poruchu nástroja alebo akumulátora, v dôsledku čoho môže dôjsť k popáleninám alebo zraneniu osôb.
17. Pokiaľ nástroj nepodporuje používanie v blízkosti vysokonapäťových elektrických vedení, nepoužívajte akumulátor blízko vysokonapäťových elektrických vedení. Môže to viesť k nesprávnemu fungovaniu alebo poškodeniu nástroja alebo akumulátora.
18. Akumulátor držte mimo dosahu detí.

## TIETO POKYNY USCHOVAJTE.

**POZOR:** Používajte len originálne akumulátory od spoločnosti Makita. Používanie batérií, ktoré nie sú od spoločnosti Makita, alebo upravených batérií môže spôsobiť výbuch batérie a následný požiar, zranenie osôb alebo poškodeniu majetku. Následkom bude aj zrušenie záruky od spoločnosti Makita na nástroj a nabíjačku od spoločnosti Makita.

## Rady na udržanie maximálnej životnosti akumulátora

1. Akumulátor nabite ešte predtým, ako sa úplne vybije. Vždy prerušte prácu s nástrojom a nabite akumulátor, keď spozorujete nižší výkon nástroja.
2. Nikdy nenabíjate plne nabitý akumulátor. Prebíjanie skracuje životnosť akumulátora.
3. Akumulátor nabíjajte pri izbovej teplote 10 °C – 40 °C (50 °F – 104 °F). Pred nabíjaním nechajte horúci akumulátor vychladnúť.
4. Keď akumulátor nepoužívate, vyberte ho z nástroja alebo nabíjačky.
5. Litium-iónový akumulátor nabite, ak ste ho nepoužívali dlhšie ako šesť mesiacov.

## OPIS FUNKCIÍ

**POZOR:** Pred úpravou alebo kontrolou funkčnosti nástroja vždy skontrolujte, či je nástroj vypnutý a akumulátor je vybraný.

## Inštalácia alebo demontáž akumulátora

**⚠️ POZOR:** Pred inštaláciou alebo vybratím akumulátora nástroj vždy vypnite.

**⚠️ POZOR:** Pri inštalovaní a vyberaní akumulátora pevne uchopíte nástroj a akumulátor. Ak nástroj a akumulátor pevne neuchopíte, môže to mať za následok vyšmyknutie z vašich rúk s dôsledkom poškodenia nástroja a akumulátora, ako aj osobných poranení.

**⚠️ POZOR:** V prípade kotúčovej píly nepoužívajte adaptér akumulátora. Kábel adaptéra akumulátora môže brániť prevádzke a spôsobiť zranenie osôb.

► Obr.7: 1. Červený indikátor 2. Tlačidlo 3. Akumulátor

Ak chcete vybrať akumulátor, vysuňte ho z nástroja, pričom posuňte tlačidlo na prednej strane akumulátora.

Akumulátor vložíte tak, že jazýček akumulátora zarovnáte s drážkou v kryte a zasuniete ho na miesto. Zatláčte ho úplne, kým zakliknutím nezapadne na miesto. Ak vidíte červený indikátor, ako je znázornené na obrázku, nie je správne zaistený.

**⚠️ POZOR:** Akumulátor vždy nainštalujte úplne, až kým nie je vidieť červený indikátor. V opačnom prípade môže náhodne vypadnúť z nástroja a ublížiť vám alebo osobám v okolí.

**⚠️ POZOR:** Pri inštalovaní akumulátora nepoužívajte silu. Ak sa akumulátor nedá zasunúť ľahko, nevkladáte ho správne.

## Systém na ochranu nástroja/akumulátora

Nástroj je vybavený systémom ochrany nástroja/akumulátora. Tento systém automaticky vypne napájanie motora s cieľom predĺžiť životnosť nástroja a akumulátora. Nástroj sa počas prevádzky automaticky zastaví v prípade, ak sa nástroj alebo akumulátor dostanú do jedného z nasledovných stavov. V niektorých stavoch sa rozsvietia indikátory.

## Ochrana proti preťaženiu

Keď sa nástroj/batéria používa spôsobom, ktorý spôsobuje odber neštandardne vysokého prúdu, zariadenie sa automaticky vypne. V tejto situácii vypnite nástroj a ukončíte prácu, ktorá spôsobuje jeho preťažovanie. Potom nástroj zapnutím znova spustíte.

## Ochrana pred prehrievaním

Keď sa nástroj alebo akumulátor prehreje, nástroj sa automaticky zastaví. V tejto situácii nechajte nástroj pred jeho opätovným spustením vychladnúť.

## Ochrana pred nadmerným vybitím

Keď sa kapacita akumulátora zníži, nástroj sa automaticky zastaví. Ak produkt nebude fungovať ani po použití vypínača, z nástroja vyberte akumulátory a nabite ich.

## Indikácia zvyšnej kapacity akumulátora

Stlačením tlačidla kontroly na akumulátore zobrazíte zostávajúcu kapacitu akumulátora. Indikátory sa na niekoľko sekúnd rozsvietia.

► Obr.8: 1. Indikátory 2. Tlačidlo kontroly

Indikátory			Zostávajúca kapacita
Svieti	Nesvieti	Bliká	
			75 % až 100 %
			50 % až 75 %
			25 % až 50 %
			0 % až 25 %
			Akumulátor nabite.
			Akumulátor je možno chybný.

**POZNÁMKA:** V závislosti od podmienok používania a v závislosti od okolitej teploty sa môže zobrazenie mierne odlišovať od skutočnej kapacity.

**POZNÁMKA:** Prvý (úplne vľavo) svetelný indikátor bude blikáť, keď systém ochrany akumulátora funguje.

## Funkcia automatickej zmeny otáčok

Tento nástroj je vybavený „režimom vysokých otáčok“ a „režimom vysokého krútiaceho momentu“.

V závislosti od pracovného zaťaženia zariadenie automaticky zmení prevádzkový režim. Keď je pracovné zaťaženie nízke, zariadenie bude pracovať v režime vysokých otáčok, aby sa zrýchlił priebeh pílenia. Keď je pracovné zaťaženie vysoké, zariadenie bude pracovať v režime vysokého krútiaceho momentu na zaistenie vysokého výkonu pílenia.

## Nastavenie hĺbky rezu

**⚠️ POZOR:** Po nastavení hĺbky rezu vždy pevne dotiahnite páčku.

Uvoľnite páčku na pravítku hĺbky a posuňte stôl nahor alebo nadol. Na požadovanej hodnote hĺbky rezu stôl zaistíte dotiahnutím páčky.

Čistejšie a bezpečnejšie rezy dosiahnete nastavením hĺbky rezu, pri ktorej pod obrobkom prečnieva len jeden zub čepele. Používanie správnej hĺbky rezu pomáha znížiť výskyt prípadných nebezpečných SPÁTNYCH NÁRAZOV, ktoré môžu spôsobiť zranenie osôb.

► Obr.9: 1. Páčka

## Skosené rezanie

**⚠ POZOR:** Po nastavení uhla skosenia vždy pevne dotiahnite páčku.

Uvoľnite páčku a nastavte požadovaný uhol príslušným naklonením a potom pevne dotiahnite páčku.

► **Obr.10:** 1. Páčka

## Pozitívny doraz

Pozitívny doraz je praktický na rýchle nastavenie požadovaného uhla. Otočte pozitívny doraz tak, aby šípka na tomto doraze ukazovala na požadovaný uhol skosenia (približne 22,5°/45°/53°). Uvoľnite páčku a potom posuňte stôl zariadenia, kým sa nezastaví. Poloha zastavenia stola zodpovedá uhlu, ktorý ste nastavili pomocou pozitívneho dorazu. Dotiahnite páčku so stolom zariadenia v tejto polohe.

► **Obr.11:** 1. Pozitívny doraz

## Nastavenie polohy

Príame rezy dosiahnete vyrovnaním polohy 0° na prednej strane podložky s vašou líniou rezu. V prípade 45° skosených rezov zarovnajete s líniou rezu polohu 45°.

► **Obr.12:** 1. Línia rezu (poloha 0°) 2. Línia rezu (poloha 45°)

## Zapínanie

**⚠ VAROVANIE:** Pred vložením akumulátora do nástroja sa vždy presvedčíte, či spúšťací spínač funguje správne a po uvoľnení sa vráti do pozície „OFF“.

**⚠ VAROVANIE:** NIKDY neobchádzajte použitie tlačidla odomknutia jeho prilepením v stlačenej polohe alebo inými prostriedkami. Spínač s vyradeným tlačidlom odomknutia môže spôsobiť náhodné spustenie s dôsledkom vážnych osobných poranení.

**⚠ VAROVANIE:** NIKDY nepoužívajte nástroj, ak sa spustí pri stlačení len spúšťacieho spínača bez stlačenia tlačidla odomknutia. Vypínač, ktorý potrebuje opravu, môže spôsobiť náhodné spustenie a vážne osobné poranenie. PRED ďalším použitím vráťte nástroj do servisného centra Makita, kde ho dôkladne opraví.

**⚠ POZOR:** Nástroj začne brzdiť otáčanie čepele kotúčovej píly ihneď po uvoľnení spúšťacieho spínača. Držte nástroj pevne, aby ste dokázali zareagovať na brzdu pri uvoľnení spúšťacieho spínača. Náhla reakcia môže spôsobiť vypadnutie nástroja z ruky a môže spôsobiť zranenie.

Nástroj je vybavený tlačidlom odomknutia, aby nedochádzalo k náhodnému stlačeniu spúšťacieho spínača. Ak chcete spustiť nástroj, stlačte tlačidlo odomknutia a potiahnite spúšťací spínač. Nástroj zastavíte uvoľnením spúšťacieho spínača.

► **Obr.13:** 1. Spúšťací spínač 2. Tlačidlo odomknutia

**UPOZORNENIE:** Spúšťací spínač silno nestláčajte bez stlačenia tlačidla odomknutia. Môže to spôsobiť zlomenie spínača.

## Elektrická brzda

Tento nástroj je vybavený brzdou elektrickej čepele. Ak sa nástroju nepretržite nedarí rýchlo zastaviť čepel kotúčovej píly po uvoľnení prepínacej páky, nechajte si nástroj opraviť v servisnom stredisku spoločnosti Makita.

**⚠ POZOR:** Brzdíaci systém čepele nie je náhradou za kryt čepele. **NÁRADIE NIKDY NEPOUŽÍVAJTE BEZ FUNKČNÉHO KRYTU ČEPELE. MOHLO BY DÔJSŤ K VÁŽNEMU UBLIŽENIU NA ZDRAVÍ.**

## Elektronické funkcie

Nástroje vybavené elektronikou sa ľahko používajú vďaka nasledovnej funkcii (funkciám).

### Funkcia chladkého štartu

Nástroj sa plynule spustí, pretože je potlačený spúšťací náraz.

## ZOSTAVENIE

**⚠ POZOR:** Pred vykonaním akejkoľvek práce na nástroji vždy skontrolujte, či je nástroj vypnutý a akumulátor je vybatý.

## Uloženie zahnutého kľúča

Keď zahnutý kľúč nepoužívate, odložte ho podľa znázornenia na obrázku, aby sa nestratil.

► **Obr.14:** 1. Zahnutý kľúč

## Montáž a demontáž čepele kotúčovej píly

**⚠ POZOR:** Uistite sa, že je čepel kotúčovej píly vložená tak, aby zuby smerovali k prednej časti nástroja.

**⚠ POZOR:** Na vloženie alebo vybratie čepele kotúčovej píly používajte výhradne zahnutý kľúč spoločnosti Makita.

## Montáž čepele kotúčovej píly

**POZNÁMKA:** Čepel kotúčovej píly môže byť pri dodávke už nainštalovaná.

1. Úplne stlačte poistku hriadeľa tak, aby sa montážny hriadeľ nemohol otáčať a príslušným zahnutým kľúčom uvoľnite šesťhrannú skrutku. Potom odstráňte šesťhrannú skrutku a vonkajšiu prírubu.

► **Obr.15:** 1. Poistka hriadeľa 2. Zahnutý kľúč 3. Povoliť 4. Utiahnúť

2. Nainštalujte vnútornú prírubu, prstenec (špecifický

pre danú krajinu), čepeľ kotúčovej píly, vonkajšiu prírubu a skrutku so šesťhrannou hlavou. V tomto bode zarovnajete smer šípky na čepeľ so šípkou na nástroji.

#### Pre nástroj bez prstenca

- **Obr.16:** 1. Šesťhranná skrutka 2. Vonkajšia prírubu 3. Čepeľ kotúčovej píly 4. Šípka na čepeľi kotúčovej píly 5. Vnútorňa prírubu 6. Šípka na nástroji

#### Pre nástroj s prstencom

- **Obr.17:** 1. Šesťhranná skrutka 2. Vonkajšia prírubu 3. Čepeľ kotúčovej píly 4. Šípka na čepeľi kotúčovej píly 5. Prstenec 6. Vnútorňa prírubu 7. Šípka na nástroji

3. Stlačte poistku hriadeľa a dotiahnite šesťhrannú skrutku.

## Pre náradie s vnútornou prírubou na čepeľ píly s priemerom otvoru iným ako 15,88 mm

Vnútorňa prírubu má výčnelok určitého priemeru na svojej jednej strane a výčnelok iného priemeru na druhej strane. Vyberte správnu stranu, na ktorej výčnelok dobre zapadne do otvoru na čepeľi kotúčovej píly. Namontujte vnútornú prírubu na montážny hriadeľ, a to tak, aby správna strana s výčnelkom na vnútornej prírubu smerovala von; následne nasadíte čepeľ kotúčovej píly a vonkajšiu prírubu.

- **Obr.18:** 1. Montážny hriadeľ 2. Vnútorňa prírubu 3. Čepeľ kotúčovej píly 4. Vonkajšia prírubu 5. Šesťhranná skrutka

**VAROVANIE:** SKRUTKU SO ŠEŠŤHRANNOU HLAVOU PEVNE UTIAHNITE PROTI SMERU HODINOVÝCH RUČÍČIEK. Skrutku nedotahujte nadmernou silou. Zošmyknutie ruky zo šesťhranného kľúča môže spôsobiť zranenie.

**VAROVANIE:** Dávajte pozor, aby výčnelok „a“ na vnútornej prírubu smerujúci von presne dosadol do otvoru „a“ na čepeľi píly. Namontovanie čepele kotúčovej píly na nesprávnu stranu môže mať za následok nebezpečné vibrácie.

## Pre náradie s vnútornou prírubou na čepeľ píly s priemerom otvoru 15,88 mm (v závislosti od danej krajiny)

Vnútorňú prírubu založte na montážny hriadeľ tak, aby jej strana s preliacinou smerovala von, a následne nasadíte čepeľ píly (v prípade potreby nasadíte prstenec), vonkajšiu prírubu a šesťhrannú skrutku.

#### Pre nástroj bez prstenca

- **Obr.19:** 1. Montážny hriadeľ 2. Vnútorňa prírubu 3. Čepeľ kotúčovej píly 4. Vonkajšia prírubu 5. Šesťhranná skrutka

#### Pre nástroj s prstencom

- **Obr.20:** 1. Montážny hriadeľ 2. Vnútorňa prírubu 3. Čepeľ kotúčovej píly 4. Vonkajšia prírubu 5. Šesťhranná skrutka 6. Prstenec

**VAROVANIE:** SKRUTKU SO ŠEŠŤHRANNOU HLAVOU PEVNE UTIAHNITE PROTI SMERU HODINOVÝCH RUČÍČIEK. Skrutku nedotahujte nadmernou silou. Zošmyknutie ruky zo šesťhranného kľúča môže spôsobiť zranenie.

**VAROVANIE:** V prípade, že si montáž čepele kotúčovej píly vyžaduje nasadenie prstenca na hriadeľ, vždy sa presvedčte, že je medzi vnútornou a vonkajšou prírubou nasadený správny prstenec podľa montážneho otvoru na čepeľi, ktorú chcete použiť. Použitie nesprávneho prstenca do otvoru na hriadeľ môže zapríčiniť nesprávne namontovanie čepele kotúčovej píly a spôsobiť pohyby čepele a silné vibrácie, čo môže viesť k strate kontroly nad nástrojom počas práce a k vážnym zraneniam osôb.

## Demontáž čepele kotúčovej píly

- Úplne stlačte poistku hriadeľa tak, aby sa montážny hriadeľ nemohol otáčať a príslušným zahnutým kľúčom uvoľníte šesťhrannú skrutku. Potom odstráňte šesťhrannú skrutku, vonkajšiu prírubu, čepeľ kotúčovej píly a prstenec (v závislosti od krajiny).
- Pri uskladení nástroja namontujte vonkajšiu prírubu a jemne rukou dotiahnite šesťhrannú skrutku, aby sa zabránilo jej strate.

## Čistenie chrániča čepele

Pri výmene čepele kotúčovej píly je potrebné vyčistiť horný aj spodný kryt čepele od nahromadených pilín, ako sa uvádza v časti o údržbe. Okrem toho je potrebné pred každým použitím skontrolovať funkčnosť spodného krytu.

## Pripojenie vysávača

### Voliteľné príslušenstvo

**POZNÁMKA:** Ak chcete predísť strate gumového uzáveru, uložte ho v prednej časti nástroja.

**POZNÁMKA:** Keď vysávač nepoužívate, gumový uzáver pripojte k prachovej hubici.

Z prachovej hubice vyberte gumový uzáver a pripojte hadicu vysávača.

- **Obr.21:** 1. Gumový uzáver

Ak chcete rezať čisto bez prachu, k náradiu pripojte vysávač Makita. Pomocou prednej manžety 24 pripojte k prachovej hubici hadicu vysávača.

- **Obr.22:** 1. Hadica vysávača 2. Predná manžeta 24 3. Prachová hubica 4. Gumový uzáver

## PREVÁDZKA

Tento nástroj je určený iba na rezanie produktov z dreva.

Pozrite sa na našu internetovú stránku alebo kontaktujte svojho miestneho predajcu značky Makita pre informácie o správnych čepeľoch kotúčovej píly na rezanie vami zvoleného materiálu.

## Kontrola funkcie chrániča čepele

Vyberte akumulátor.

Nastavte uhol skosenia na 0° a potom ručne zasuňte spodný kryt na koniec a uvoľnite ho. Dolný kryt funguje správne, ak;

- je zasunutý nad základňou bez akejkoľvek pre-  
kážky a;
- automaticky sa vracia a dotýka sa zarážky.

► **Obr.23:** 1. Vrchný kryt 2. Spodný kryt 3. Základňa  
4. Zarážka 5. Otvoriť 6. Zatvoriť

Ak spodný kryt nefunguje správne, skontrolujte, či sa vo vnútri vrchného a spodného krytu nenahromadili piliny. Ak spodný kryt nefunguje správne ani po odstránení prachu, nechajte nástroj opraviť v servisnom stredisku spoločnosti Makita.

**⚠ POZOR:** Počas rezania noste ochrannú masku.

**⚠ POZOR:** Nástroj pomaly posúvajte vpred v rovnvej línii. Tlačeníím alebo krútením nástroja sa prehrejše motor a dôjde k nebezpečným spätným nárazom, ktoré môžu spôsobiť vážne zranenie.

**POZNÁMKA:** Pokiaľ je teplota akumulátora nízka, náradie nemusí pracovať na plný výkon. Vtedy náradie na nejaký čas používajte napríklad na rezanie s nízkym zaťažením, až kým sa akumulátor nezohreje na izbovú teplotu. Následne bude náradie fungovať na plný výkon.

► **Obr.24**

Nástroj držte pevne. Na nástroji je predné držadlo a zadná rukoväť. Nástroj sa drží najlepšie za obidve držadlá. Ak pílu držíte obidvoma rukami, nemôžete si ich porezať. Položte základňu na obrobok, aby pri rezaní čepeľ kotúčovej píly o nič nezavadila. Potom zapnite náradie a počkajte, kým čepeľ kotúčovej píly nedosiahne maximálne otáčky. Teraz nástroj len posúvajte vpred po povrchu obrobku, postupujte plynule až do skončenia pílenia.

Čistý rez dosiahnete, keď bude línia rezu priama a rýchlosť rezu stabilná. Ak sa rez odchyľuje od vašej predpokladanej línie rezu, nesnažte sa otáčať alebo tlačiť náradie naspäť do línie rezu. Čepeľ kotúčovej píly sa môže zadrieť, zapríčiniť nebezpečný spätný náraz a prípadne vážne zranenie. Uvoľnite spínač, počkajte, kým sa čepeľ zastaví a potom odtiahnite náradie. Znova nasmerujte náradie na novú líniu rezu a začnite rezať. Snažte sa vyhnúť polohám, v ktorých bude obsluha vystavená trieskam a pilinám odletujúcim od píly. Používajte ochranu očí, aby ste predišli zraneniu.

## Háčik

**⚠ POZOR:** Ak chcete náradie zavesiť na hák, vždy z neho vyberte akumulátor.

**⚠ POZOR:** Náradie nikdy nevešajte na vysoké miesta ani na povrchy, kde môže dôjsť k pádu náradia v dôsledku straty stability. V opačnom prípade môže dôjsť k pádu a vážnemu zraneniu.

**⚠ POZOR:** Nástroj neťahajte smerom nadol, keď je zavesený na háku.

**⚠ POZOR:** Diely na zavesenie/montáž používajte iba na určené účely. Použitie na iné ako určené účely môže spôsobiť nehodu alebo úraz.

Hák je praktický na dočasné zavesenie nástroja. Ak chcete použiť hák, jednoducho ho nadvíhnete a počkajte, kým nezapadne do otvorenej polohy. Keď sa nepoužíva, vždy ho zaistíte v zatvorenej polohe.

► **Obr.25:** 1. Háčik 2. Otvorená poloha 3. Zatvorená poloha

► **Obr.26**

## Vodidlo na pozdĺžne rezanie (vodiace prúvitko)

### Volitelné prislúšenstvo

Pomocou praktického vodidla na pozdĺžne rezanie môžete robiť výnimočne presné priame rezy. Jednoducho posuňte vodidlo tesne k strane obrobku a skrutkou na prednej strane stola ho zaistíte v prislušnej polohe. Pomocou vodidla je tiež možné urobiť opakované rezy s jednotnou šírkou.

► **Obr.27:** 1. Vodidlo na pozdĺžne rezanie (vodiace prúvitko) 2. Uťahovacia skrutka

## Pripojenie lana (popruhu)

**⚠ Bezpečnostné varovania špecifické pre použitie vo výškach**

**Prečítajte si všetky bezpečnostné výstrahy a pokyny.** Nedodržiavanie varovaní a pokynov môže viesť k vážnemu zraneniu.

1. **Vždy pri práci „vo výškach“ udržujte nástroj pripevnený. Maximálna dĺžka lana je 2 m (6,5 stopy). Maximálna povolená dĺžka pádu pre lano (popruh) nesmie presiahnuť 2 m (6,5 stopy).**
2. **Používajte iba s lanami vhodnými pre tento typ nástroja a s minimálnou nosnosťou 7,0 kg (15,4 lbs).**
3. **Lano nástroja neupevňujte k svojmu telu ani k pohyblivým častiam. Lano nástroja upevnite k pevnej konštrukcii, ktorá dokáže odolať silám nástroja pri páde.**
4. **Pred použitím skontrolujte, či je lano správne zaistené na oboch koncoch.**
5. **Pred každým použitím skontrolujte, či nie sú nástroj a lano poškodené a či správne fungujú (vrátane tkaniny a stehov). Nepoužívajte ich, ak sú poškodené alebo nefungujú správne.**
6. **Laná neomotávajte a nedovoľte, aby sa dostali do kontaktu s ostrými alebo hrubými okrajmi.**

7. **Upevnite druhý koniec lana mimo pracovnej oblasti tak, aby sa padajúci nástroj bezpečne zachytil.**
8. **Pripevnite lano tak, aby sa nástroj v prípade pádu pohyboval mimo operátora.** Spadnuté nástroje sa budú hojdať na lane, čím môžu spôsobiť zranenie alebo stratu rovnováhy.
9. **Nepoužívajte v blízkosti pohyblivých častí alebo bežiacich strojov.** V opačnom prípade môže dôjsť k nebezpečenstvu nárazu alebo spadnutia.
10. **Nástroj neprenášajte pomocou upevňovacieho zariadenia alebo lana.**
11. **Nástroj presúvajte medzi rukami iba vtedy, keď máte dostatočnú rovnováhu.**
12. **K nástroju nepripevňujte laná spôsobom, ktorý by bránil správnej funkcii chráničov, prepínačov alebo poistiek.**
13. **Dávajte pozor, aby ste sa nezamotali do lana.**
14. **Lano udržiavajte mimo oblasti rezania nástroja.**
15. **Používajte multifunkčné a skrutkovacie karabíny. Nepoužívajte jednúčelové karabíny s pružinovými sponami.**
16. **V prípade, že nástroj spadne, musí sa označiť a vyradiť z prevádzky a mal by sa skontrolovať v továrni Makita alebo v autorizovanom servisnom stredisku.**

► **Obr.28:** 1. Otvor na lano (popruh)

nasledujúcim spôsobom.

1. Miernie uvoľnite páčku na platni mierky skosenia.
2. Pomocou trojuholníkového pravítka alebo uholníka skontrolujte, či stôl zvierá s čepeľou pravý uhol, a uhol nastavte otáčaním nastavovacej skrutky.  
► **Obr.29:** 1. Trojuholníkové pravítko 2. Nastavovacia skrutka
3. Uťahnite páčku a vykonajte skúšobný rez na preverenie kolmosti.

## VOLITEĽNÉ PRÍSLUŠENSTVO

**▲POZOR:** Pre váš nástroj Makita, opísaný v tomto návode, doporučujeme používať toto príslušenstvo a nástavce. Pri použití iného príslušenstva či nástavcov môže hroziť nebezpečenstvo zranenia osôb. Príslušenstvo a nástavce sa môžu používať len na účely pre ne stanovené.

Ak potrebujete bližšie informácie týkajúce sa tohoto príslušenstva, obráťte sa na vaše miestne servisné stredisko firmy Makita.

- Čepeľ kotúčovej píly
- Zahnutý klúč
- Vodidlo na pozdĺžne rezanie (vodiacie pravítko)
- Predná manžeta 24
- Originálna batéria a nabíjačka Makita

**POZNÁMKA:** Niektoré položky zo zoznamu môžu byť súčasťou balenia nástrojov vo forme štandardného príslušenstva. Rozsah týchto položiek môže byť v každej krajine odlišný.

## ÚDRŽBA

**▲POZOR:** Pred vykonaním kontroly alebo údržby vždy skontrolujte, či je nástroj vypnutý a akumulátor je vybrať.

**▲POZOR:** Horný a spodný kryt vyčistite, aby ste odstránili nahromadené piliny, ktoré môžu negatívne ovplyvniť fungovanie systému spodného krytu. Špinavý systém krytu môže obmedziť správnu funkciu a spôsobiť vážne zranenia osôb. Najúčinnjším spôsobom čistenia je čistenie stlačeným vzduchom. **Ak sa prach vyfukuje mimo krytov, používajte riadne ochranné prostriedky zraku a dýchacích orgánov.**

**▲POZOR:** Po každom použití zotrite piliny usadené na nástroji. Jemné piliny by sa mohli dostať dovnútra nástroja a spôsobiť poruchu alebo požiar.

**UPOZORNENIE:** Nepoužívajte benzín, riedidlo, alkohol ani podobné látky. Mohlo by to spôsobiť zmenu farby, deformácie alebo praskliny.

Ak chcete udržať BEZPEČNOSŤ a BEZPORUCHOVOSŤ výrobu, prenechajte opravy, údržbu a nastavenie na autorizované alebo továrenské servisné centrá Makita, ktoré používajú len náhradné diely značky Makita.

## Nastavenie 0° presnosti rezu

Toto nastavenie bolo vykonané vo výrobnom závode. V prípade narušenia nastavenia ho však možno vykonať

## SPECIFIKACE

Model:		RS001G
Průměr kotouče		185 mm
Max. hloubka řezu	při 0°	65 mm
	při 45° úhlu úkosu	45 mm
	při 53° úhlu úkosu	38 mm
Otáčky bez zatížení		6 400 min <sup>-1</sup>
Celková délka		446 mm
Jmenovité napětí		36 V – 40 V DC max
Hmotnost netto		5,0 – 6,2 kg

- Vzhledem k neustálému výzkumu a vývoji zde uvedené technické údaje podléhají změnám bez upozornění.
- Specifikace se mohou pro různé země lišit.
- Hmotnost se může lišit v závislosti na nástavcích a přídatných zařízeních, včetně akumulátoru. Nejlehčí a nejtěžší kombinace, dle EPTA-Procedure 01/2014, jsou uvedeny v tabulce níže.

## Použitelný akumulátor a nabíječka

Akumulátor	BL4020 / BL4025 / BL4040* / BL4040F* / BL4050F* / BL4080F* * : Doporučený akumulátor
Nabíječka	DC40RA / DC40RB / DC40RC

- V závislosti na regionu vašeho bydliště nemusí být některé akumulátory a nabíječky k dispozici.

**VAROVÁNÍ:** Používejte pouze výše uvedené akumulátory a nabíječky. Použití jiných akumulátorů a nabíječek může způsobit zranění a/nebo požár.

## Účel použití

Nástroj je určen k provádění podélných a příčných rovných řezů a úhlových pokosových řezů ve dřevě při pevném kontaktu s obrobkem.

## Hlučnost

Typická vážená hladina hluku (A) určená podle normy EN62841-2-5:

Hladina akustického tlaku ( $L_{pA}$ ): 95 dB(A)

Hladina akustického výkonu ( $L_{wA}$ ): 103 dB (A)

Nejistota (K): 3 dB(A)

**POZNÁMKA:** Celková(é) hodnota(y) emisí hluku byla(y) změřena(y) v souladu se standardní zkušební metodou a dá se použít k porovnání nářadí mezi sebou.

**POZNÁMKA:** Hodnotu(y) deklarovaných emisí hluku lze také použít k předběžnému posouzení míry expozice vibracím.

**VAROVÁNÍ:** Používejte ochranu sluchu.

**VAROVÁNÍ:** Emise hluku se při používání elektrického nářadí ve skutečnosti mohou od deklarované(y) hodnot(y) lišit v závislosti na způsobech použití nářadí.

**VAROVÁNÍ:** Nezapomeňte stanovit bezpečnostní opatření na ochranu obsluhy podle odhadu expozice ve skutečných podmínkách použití. (Vezměte přitom v úvahu všechny části provozního cyklu, tj. kromě doby zátěže například doby, kdy je nářadí vypnuté a kdy běží naprázdno.)

## Vibrace

Celková hodnota vibrací (vektorový součet tří os) určená podle normy EN62841-2-5:

Pracovní režim: Řezání dřeva

Emise vibrací ( $a_{h,w}$ ): 2,5 m/s<sup>2</sup> nebo méně

Nejistota (K): 1,5 m/s<sup>2</sup>

**POZNÁMKA:** Celková(é) hodnota(y) deklarovaných vibrací byla(y) změřena(y) v souladu se standardní zkušební metodou a dá se použít k porovnání nářadí mezi sebou.

**POZNÁMKA:** Celkovou(é) hodnotu(y) deklarovaných vibrací lze také použít k předběžnému posouzení míry expozice vibracím.

**VAROVÁNÍ:** Emise vibrací se při používání elektrického nářadí ve skutečnosti mohou od deklarované (ých) hodnot(y) lišit v závislosti na způsobech použití nářadí.

**VAROVÁNÍ:** Nezapomeňte stanovit bezpečnostní opatření na ochranu obsluhy podle odhadu expozice ve skutečných podmínkách použití. (Vezměte přitom v úvahu všechny části provozního cyklu, tj. kromě doby zátěže například doby, kdy je nářadí vypnuté a kdy běží naprázdno.)

## Prohlášení o shodě

### Pouze pro evropské země

Prohlášení o shodě jsou obsažena v Příloze A tohoto návodu k obsluze.

# BEZPEČNOSTNÍ VÝSTRAHY

## Obecná bezpečnostní upozornění k elektrickému nářadí

**VAROVÁNÍ** Přečtěte si všechny bezpečnostní výstrahy i pokyny a prohlédněte si ilustrace a specifikace dodané k tomuto elektrickému nářadí. Nedodržení všech níže uvedených pokynů může vést k úrazu elektrickým proudem, požáru a/nebo vážnému zranění.

## Všechna upozornění a pokyny si uschovejte pro budoucí potřebu.

Pojem „elektrické nářadí“ v upozorněních označuje elektrické nářadí, které se zapojuje do elektrické sítě, nebo elektrické nářadí využívající akumulátory.

## Bezpečnostní upozornění k akumulátorové ruční okružní pile

### Postupy při řezání

- NEBEZPEČÍ:** Nepřibližujte ruce k oblasti řezání ani ke kotouči. Druhou ruku držte na pomocné rukojeti nebo krytu motoru. Budete-li pilu držet oběma rukama, nehrozí riziko jejich pořezání.
- Nevkládejte ruce pod obrobek.** Kryt vás nechrání před kotoučem pod obrobkem.
- Nastavte hloubku řezu na tloušťku obrobku.** Pod obrobkem by měl být viditelný méně než jeden celý zub pilového kotouče.
- Při řezání nikdy nedržte obrobek v rukou ani si jej nepokládejte na nohy. Uchytěte obrobek ke stabilní podložce.** Je důležité zajistit řádné upevnění dílu, aby se minimalizovalo riziko ohrožení těla, zachycení kotouče nebo ztráty kontroly.

### ► Obr.1

- Při práci v místech, kde může dojít ke kontaktu nářadí se skrytým elektrickým vedením, držte elektrické nářadí za izolované části držadel.**

Kontakt s vodičem pod napětím přenesne proud do nechráněných kovových částí elektrického nářadí a obsluha může utrpět úraz elektrickým proudem.

- Při podélném řezání vždy používejte podélné pravítko nebo přímé vodičko.** Zvýšíte tak přesnost řezu a omezíte možnost ohnutí kotouče.
- Vždy používejte kotouče správné velikosti a tvaru (diamantové versus kruhové) otvoru.** Kotouče neodpovídající upínacímu systému pily se budou pohybovat mimo osu a způsobí ztrátu kontroly nad nářadím.
- Nikdy nepoužívejte poškozené nebo nesprávné podložky nebo šroub kotouče.** Podložky a šroub kotouče jsou navrženy speciálně pro tuto pilu a zajišťují optimální funkci a provozní bezpečnost.

### Zpětný ráz a související výstrahy

- Zpětný ráz je náhlá reakce na skřípnutý, zaseknutý nebo nesprávně seřizený pilový kotouč, která způsobuje nekontrolované zvednutí pily z obrobku a jeho vržení směrem k obsluze.
  - Pokud se kotouč sevře nebo na pevně zasekne o uzavření spáry, dojde k zastavení kotouče a reakce motoru vrhne jednotku s velkou rychlostí směrem k obsluze.
  - Pokud se kotouč v řezu zkroutí nebo vychýlí, mohou se zuby na zadním okraji kotouče zařezat do horního povrchu dřeva, čímž dojde ke zvednutí kotouče ze spáry a rázu nářadí směrem k obsluze.
- Zpětný ráz je důsledkem špatného použití pily nebo nesprávných pracovních postupů či podmínek. Lze se mu vyhnout zavedením odpovídajících opatření, která jsou uvedena níže.

- Pilu držte pevně oběma rukama. Paže umístěte tak, abyste byli schopni odolat silám vznikajícím při zpětném rázu. Tělo udržte bokem od nářadí. Nestůjte přímo za kotoučem.** Zpětný ráz by mohl způsobit vrhnutí pily zpět. Pokud pracovník dodržuje odpovídající opatření, je schopen kontrolovat síly vznikající při zpětném rázu.
- Pokud kotouč vážne nebo z jakéhokoli důvodu chcete přerušit řezání, uvolněte spoušť a držte pilu bez pohybu v materiálu, dokud se kotouč úplně nezastaví. Nikdy pilu nevytahujte z materiálu ani ji netahejte směrem zpět, je-li kotouč v pohybu. V opačném případě může dojít ke zpětnému rázu.** Zjistíte příčinu vážnutí kotouče a proveďte odpovídající nápravná opatření.
- Spouštějte-li pilu opakovaně v obrobku, umístěte pilový kotouč do středu drážky tak, aby zuby kotouče nebyly zachyceny v materiálu.** Pokud pilový kotouč uvízne, může se při opakovaném spouštění pily zvednout nebo vymrštit z obrobku.
- Velké desky podepřete, abyste minimalizovali riziko skřípnutí kotouče a zpětného rázu.** Velké desky mají tendenci prověšovat se svojí vlastní váhou. Podpěry je nutno umístit pod panel na obou stranách v blízkosti rysky řezu a okraje desky.

### ► Obr.2

### ► Obr.3

- Nepoužívejte tupé nebo poškozené kotouče.** Nenaostřené nebo nesprávně nastavené kotouče

řežou úzkou drážku, čímž dochází k nadměrnému tření, váznutí kotouče a zpětnému rázu.

6. **Před zahájením řezání musí být dotaženy a zajištěny pojistné páčky nastavení hloubky a úkosu.** Dojde-li během řezání ke změně nastavení kotouče, kotouč může váznout a může vzniknout zpětný ráz.
  7. **Při řezání do stávajících stěn či jiných nepřehledných míst dbejte zvýšené opatrnosti.** Vycházející kotouč se může zařízdnout do předmětů, jež mohou způsobit zpětný ráz.
  8. **Nářadí VŽDY držte pevně oběma rukama. NIKDY neumísťte ruce, nohy nebo jakoukoli jinou část těla pod základnu nářadí nebo za pilu, zejména při příčném řezání.** Dojde-li ke zpětnému rázu, může pila snadno odskočit směrem zpět přes vaše ruce a způsobit vám tak vážné poranění.
- **Obr.4**
9. **Nikdy na pilu nevyvíjejte příliš velkou sílu. Pílu tlačte vpřed tak, aby kotouč řezal bez zpomalování.** Příliš silný tlak může způsobit nerovné řezy, ztrátu přesnosti a vznik zpětného rázu.

#### Funkce krytu

1. **Před každým použitím zkontrolujte řádné uzavření dolního krytu. S pilou nepřacujte, pokud se dolní kryt nepohybuje volně a okamžitě se neuzavře. Nikdy neupínějte ani neuchycujte dolní kryt v otevřené poloze.** Pokud pilu náhodně upustíte, může se dolní kryt ohnout. Zvedněte dolní kryt zatahovacím držadlem a ujistěte se, zda se kryt volně pohybuje a zda se ve všech úhlech a hloubkách řezu nedotýká kotouče ani žádné jiné části nástroje.
2. **Zkontrolujte funkci pružiny dolního krytu. Pokud kryt a pružina nepracují správně, musí být před zahájením provozu opraveny.** Dolní kryt se může pohybovat pomalu z důvodu poškozených dílů, lepkavých usazenin nebo nahromaděný odpadního materiálu.
3. **Dolní kryt zatahujte ručně pouze při provádění speciálních řezů, jimiž jsou například „zapichovací“ či „kombinované řezy“.** Zatahovacím držadlem zvedněte dolní kryt, a jakmile kotouč vnikne do materiálu, je nutné dolní kryt uvolnit. Při všech jiných typech řezů má dolní kryt pracovat automaticky.
4. **Před položením pily na pracovní stůl nebo podlahu se vždy přesvědčte, zda dolní kryt zakrývá kotouč.** Nechráněný dobíhající kotouč způsobí pohyb nářadí směrem zpět, při kterém může dojít k pořežení. Nezapomeňte, že zastavení kotouče po uvolnění spínače trvá určitou dobu.
5. **Při kontrole dolního krytu jej otevřete rukou, uvolněte a sledujte jeho zavírání. Dále zkontrolujte, zda se zatahovací držadlo nedotýká skříňové nástroje.** Ponechání kotouče v nechráněné poloze JE VELICE NEBEZPEČNÉ a může způsobit vážné zranění.

#### Další bezpečnostní výstrahy

1. **Při řezání vlhkého dřeva, tlakově impregnovaného dřeva nebo dřeva obsahujícího suky postupujte se zvýšenou opatrností. Nářadí**

vedte do řezu plynule, aby se pohyb kotouče nezpomaloval a nedocházelo k přehřívání břitů.

2. **Neodstraňujte odřezaný materiál, pokud se pohybuje kotouč. Před uchopením odřezaného materiálu počkejte, až se kotouč zastaví.** Kotouče po vypnutí nářadí dobíhají.
  3. **Neřežte hřebíky. Před zahájením řezání zkontrolujte a odstraňte ze dřeva všechny případné hřebíky.**
  4. **Širší stranu základny pily položte na tu část obrobku, která je pevně podepřena a nikoli na část, která po provedení řezu odpadne. Pokud je obrobek krátký nebo malý, upněte jej. NIKDY NEDRŽTE KRÁTKÉ DÍLY RUKOU!**
- **Obr.5**
5. **Před odložením nářadí po dokončení řezu se přesvědčte, zda se kryt zavřel a zda se kotouč úplně zastavil.**
  6. **Nikdy se nepokoušejte řezat okružní pilou uchycenou vzhůru nohama ve svěráku. Tento postup je mimořádně nebezpečný a může způsobit vážné nehody.**
- **Obr.6**

7. **Některé materiály obsahují chemikálie, které mohou být jedovaté. Dávejte pozor, abyste nevedchovali prach nebo nedocházelo ke kontaktu s kůží. Dodržujte bezpečnostní pokyny dodavatele materiálu.**
8. **Nezastavujte pilové kotouče vyvinutím postranního tlaku.**
9. **Nepoužívejte žádné brusné kotouče.**
10. **Používejte pouze pilové kotouče s průměrem vyznačeným na nářadí nebo specifikovaným v příručce.** Použití kotouče nesprávných rozměrů může ovlivnit správné zakrytí kotouče nebo funkci krytu, což může mít za následek vážné zranění.
11. **Udržujte kotouč ostrý a čistý.** Smůla a pryskyřice zatvrdnutá na kotouči pilu zpomaluje a zvyšuje potenciální nebezpečí zpětného rázu. Při čištění kotouč nejprve vyjměte z nářadí a pak jej vyčistěte prostředkem k odstraňování smůly a pryskyřice, horkou vodou nebo petrolejem. Nikdy nepoužívejte benzín.
12. **Při používání nářadí používejte protiprachovou masku a ochranu sluchu.**
13. **Vždy používejte takový pilový kotouč, který je určený pro řezání materiálu, který se chystáte řezat.**
14. **Používejte pouze pilové kotouče označené hodnotou otáček, jejichž hodnota se rovná či přesahuje hodnotu otáček vyznačenou na nářadí.**
15. **(Pouze pro evropské země) Vždy používejte kotouče, které odpovídají normě EN847-1, pokud jsou určeny pro dřevo a podobný materiál.**
16. **Umístěte nářadí a součásti na rovný a stabilní povrch. Jinak mohou nářadí nebo součásti spadnout a způsobit zranění.**

## TYTO POKYNY USCHOVEJTE.

**VAROVÁNÍ:** NEDOVOLTE, aby pohodlnost nebo pocit znalosti výrobku (získání na základě předchozího použití) vedl k zanedbání dodržování bezpečnostních pravidel platných pro tento výrobek. NESPRÁVNÉ POUŽÍVÁNÍ či nedodržení bezpečnostních pravidel uvedených v tomto návodu k obsluze může způsobit vážné zranění.

## Důležitá bezpečnostní upozornění pro akumulátor

1. Před použitím akumulátoru si přečtěte všechny pokyny a varovné symboly na (1) nabíječce, (2) akumulátoru a (3) výrobku využívaném akumulátor.
2. Nerozebírejte akumulátor ani do něj nijak nezasahujte. Může dojít k požáru, nadměrnému zahřátí nebo výbuchu.
3. Pokud se příliš zkrátí provozní doba akumulátoru, přerušte okamžitě práci. V opačném případě existuje riziko přehřívání, popálení nebo dokonce výbuchu.
4. Budou-li vaše oči zasaženy elektrolytem, vypláchněte je čistou vodou a okamžitě vyhledejte lékařskou pomoc. Může dojít ke ztrátě zraku.
5. Akumulátor nezkratujte:
  - (1) Nedotýkejte se svorek žádným vodivým materiálem.
  - (2) Neskladujte akumulátor v nádobě s jinými kovovými předměty, jako jsou hřebíky, mince, apod.
  - (3) Nevystavuje akumulátor vodě a dešti. Zkrat akumulátoru může způsobit velký průtok proudu, přehřátí, možné popálení a dokonce i poruchu.
6. Neskladujte a nepoužívejte nářadí a akumulátor na místech, kde může teplota překročit 50 °C (122 °F).
7. Nespalujte akumulátor, ani když je vážně poškozen nebo úplně opotřeben. Akumulátor může v ohni vybuchnout.
8. Akumulátor nesmí být proražen hřebíkem, řezán, drcen, házen či upuštěn na zem, ani nesmí dojít k nárazu tvrdého předmětu do něj. Taková situace může způsobit požár, nadměrné zahřátí či výbuch.
9. Nepoužívejte poškozené akumulátory.
10. Obsažené lithium-iontové akumulátory podléhají právním požadavkům na nebezpečné zboží.

V případě komerční přepravy například externími dopravci je třeba dodržet zvláštní požadavky na balení a značení.

Pro přípravu zboží k přepravě je nutná konzultace s odborníkem na nebezpečný materiál. Dodržujte také případné podrobnější národní předpisy.

Odkryté kontakty přelepte izolační páskou či jinak zakryjte a akumulátory zabalte tak, aby se v balení nemohly pohybovat.
11. Při likvidaci akumulátoru jej vyjměte z nářadí a zlikvidujte jej na bezpečném místě. Při likvidaci akumulátoru postupujte podle místních předpisů.

12. Akumulátor používejte pouze s výrobky specifikovanými společností Makita. Instalace akumulátoru do nevhovujících výrobků může způsobit požár, nadměrné zahřívání, explozi nebo únik elektrolytu.
13. Pokud nářadí delší dobu nepoužíváte, je nutné z něj akumulátor vyjmout.
14. Během a po použití se může akumulátor zahřát, což může způsobit popáleniny nebo podráždění. Při manipulaci s horkými akumulátory dávejte pozor.
15. Nedotýkejte se koncovky na nářadí ihned po použití, protože ta může být horká a způsobit popáleniny.
16. Do koncovek, otvorů a zdířek na akumulátoru se nesmí dostat piliny, prach nebo jiné nečistoty. To může způsobit zahřátí, vznícení, prasknutí a poruchu nářadí nebo akumulátoru, což může vést k popáleninám nebo zranění osob.
17. Jestliže nářadí není zkonstruováno tak, že jej lze používat v blízkosti vysokého elektrického napětí, nepoužívejte akumulátor poblíž vedení s vysokým elektrickým napětím. Mohlo by tím dojít k poruše či selhání nářadí či akumulátoru.
18. Akumulátor uchovávejte mimo dosah dětí.

## TYTO POKYNY USCHOVEJTE.

**UPOZORNĚNÍ:** Používejte pouze originální akumulátory Makita. Používání neoriginálních nebo upravených akumulátorů může způsobit explozi akumulátoru a následný požár, zranění a jiné poškození. Zaniká tím také záruka společnosti Makita na nářadí a nabíječku Makita.

## Typy k zajištění maximální životnosti akumulátoru

1. Akumulátor nabíjte dříve, než dojde k jeho úplnému vybití. Pokud si povšimnete sníženého výkonu nářadí, vždy jej zastavte a dobijte akumulátor.
2. Nikdy nenabíjete úplně nabité akumulátor. Přebíjení zkracuje životnost akumulátoru.
3. Akumulátor dobíjete při pokojové teplotě od 10 °C do 40 °C (50 °F až 104 °F). Před nabíjením nechejte horký akumulátor zchladnout.
4. Když není akumulátor používán, vyjměte ho z nářadí či nabíječky.
5. Pokud se akumulátor delší dobu nepoužívá (déle než šest měsíců), je nutno jej dobít.

## POPIS FUNKCÍ

**UPOZORNĚNÍ:** Před nastavováním nářadí nebo kontrolou jeho funkce se vždy přesvědčte, zda je vypnuté a je vyjmutý akumulátor.

## Nasazení a sejmutí akumulátoru

**⚠️ UPOZORNĚNÍ:** Před nasazením či sejmutím akumulátoru nářadí vždy vypněte.

**⚠️ UPOZORNĚNÍ:** Při nasazování či snímání akumulátoru pevně držte nářadí i akumulátor. V opačném případě vám může nářadí nebo akumulátor vyklouznout z rukou a mohlo by dojít k jejich poškození či ke zranění.

**⚠️ UPOZORNĚNÍ:** U okružní pily nepoužívejte adaptér baterie. Kabel adaptéru baterie může bránit provozu a způsobit zranění osob.

► Obr.7: 1. Červený indikátor 2. Tlačítko  
3. Akumulátor

Chcete-li akumulátor sejmout, vysuňte jej se současným přesunutím tlačítka na přední straně akumulátoru.

Při nasazování akumulátoru vyrovnejte jazýček na bloku akumulátoru s drážkou v krytu a zasuňte akumulátor na místo. Akumulátor zasuňte na doraz, až zacvakne na své místo. Není-li zcela zajištěn, uvidíte červený indikátor dle obrázku.

**⚠️ UPOZORNĚNÍ:** Akumulátor zasunujte vždy zcela tak, aby nebyl červený indikátor vidět. Jinak by mohl akumulátor ze zařízení vypadnout a způsobit zranění obsluze či přihlížejícím osobám.

**⚠️ UPOZORNĚNÍ:** Akumulátor nenasazujte násilím. Nelze-li akumulátor zasunout snadno, nevkládáte jej správně.

## System ochrany nářadí a akumulátoru

Nářadí je vybaveno systémem ochrany nářadí a akumulátoru. Tento systém automaticky přeruší napájení motoru, aby se prodloužila životnost nářadí a akumulátoru. Budou-li nářadí nebo akumulátor vystaveny některé z níže uvedených podmínek, nářadí se během provozu automaticky vypne. Za určitých podmínek se rozsvítí kontrolky.

### Ochrana proti přetížení

Pokud se s nářadím/akumulátorem pracuje způsobem vyvolávajícím mimořádně vysoký odběr proudu, nářadí se automaticky vypne. V takové situaci nářadí vypněte a ukončete činnost, při níž došlo k přetížení nářadí. Potom nářadí opět zapněte.

### Ochrana proti přehřátí

Když se nářadí či akumulátor přehřeje, automaticky se vypne. V takovém případě nechte nářadí před opětovným zapnutím vychladnout.











### Ochrana proti přílišnému vybití

V případě nízké zbývající kapacity akumulátoru se nářadí automaticky vypne. Jestliže produkt při ovládání přepínači nepracuje, vyjměte z nářadí akumulátory a nabijte je.

## Indikace zbývající kapacity akumulátoru

Stisknutím tlačítka kontroly na akumulátoru zjistíte zbývající kapacitu akumulátoru. Kontrolky indikátoru se na několik sekund rozsvítí.

► Obr.8: 1. Kontrolky 2. Tlačítko kontroly

Kontrolky			Zbývající kapacita
 Svítí	 Nesvítí	 Bliká	
			75 % až 100 %
			50 % až 75 %
			25 % až 50 %
			0 % až 25 %
			Nabíjte akumulátor.
			Došlo pravděpodobně k poruše akumulátoru.
			

**POZNÁMKA:** Kapacita udávaná indikátorem se může mírně lišit od skutečné kapacity v závislosti na podmínkách používání a teplotě prostředí.

**POZNÁMKA:** První kontrolka (zcela vlevo) bude blikat, když je systém ochrany akumulátoru v provozu.

## Funkce automatické změny otáček

Nářadí disponuje „režimem vysokých otáček“ a „režimem vysokého točivého momentu“.

Provozní režim se přepíná automaticky podle pracovního zatížení. Když je pracovní zatížení nízké, poběží nářadí v „režimu vysokých otáček“, aby se urychlilo řezání. Při vysokém pracovním zatížení poběží nářadí v „režimu vysokého točivého momentu“ pro výkonnější řezání.

## Nastavení hloubky řezu

**⚠️ UPOZORNĚNÍ:** Po nastavení hloubky řezu vždy pevně dotáhněte páčku.

Uvolněte páčku na vodítku pro nastavení hloubky a přesuňte základnu nahoru nebo dolů. Na požadované hloubce řezu základnu zajistěte utažením páčky. Pro čistší a bezpečnější řez nastavte hloubku tak, aby z dolní strany obrobku nevyčníval více než jeden zub kotouče. Použití správných hloubek řezu pomáhá omezovat nebezpečí ZPĚTNÝCH RÁZŮ, které mohou způsobit zranění.

► Obr.9: 1. Páčka

## Úkosové řezání

**⚠️ UPOZORNĚNÍ:** Po nastavení úhlu úkosu vždy pevně utáhněte páčku.

Uvolněte páčku a nastavte ji náklonem do požadovaného úhlu. Poté páčku bezpečně utáhněte.

► **Obr.10:** 1. Páčka

## Positivní zarážka

Positivní zarážka slouží k rychlému nastavení požadovaného úhlu. Otočte pozitivní zarážku tak, aby šipka na ní ukazovala na požadovaný úhel úkosu (zhruba 22,5°/45°/53°). Uvolněte páčku a naklánějte základnu nářadí, dokud se nezastaví. Poloha, v níž se základna nářadí zastaví, je úhel, který jste nastavili pozitivní zarážkou. Utáhnutím páčky upevníte základnu nářadí na místě.

► **Obr.11:** 1. Positivní zarážka

## Sledování značek

Při přímých řezech vyrovnejte pozici 0° na přední straně základny s rýskou vyznačující řez. Při provádění 45° úkosových řezů vyrovnejte řez s pozicí 45°.

► **Obr.12:** 1. Linie řezu (pozice 0°) 2. Linie řezu (pozice 45°)

## Používání spouště

**⚠️ VAROVÁNÍ:** Před vložením akumulátoru do nářadí vždy zkontrolujte správnou funkci spouště, a zda se po uvolnění vrátí do vypnuté polohy.

**⚠️ VAROVÁNÍ:** NIKDY neblokujte funkci odjišťovacího tlačítka zalepením páskou ani jinými způsoby. Spínač se zablokovaným odjišťovacím tlačítkem může být příčinou neúmyslného zapnutí a vážného zranění.

**⚠️ VAROVÁNÍ:** NIKDY nepoužívejte nářadí, které lze spustit pouhým stisknutím spouště bez použití odjišťovacího tlačítka. Spínač vyžadující opravu může způsobit neúmyslné zapnutí a vážné zranění. V takovém případě nářadí PŘED dalším použitím předejte servisnímu středisku Makita k opravě.

**⚠️ UPOZORNĚNÍ:** Nářadí začne brzdit otáčení kotouče okružní pily ihned poté, co pustíte spoušť. Podržte pevně nářadí, abyste uklidnili reakci brzdý po puštění spouště. Rychlá reakce může způsobit pád nářadí z ruky a osobní úraz.

K zamezení náhodnému stisknutí spouště je nářadí vybaveno odjišťovacím tlačítkem. Chcete-li nářadí spustit, stiskněte odjišťovací tlačítko a potom spoušť. Chcete-li nářadí vypnout, uvolněte spoušť.

► **Obr.13:** 1. Spoušť 2. Odjišťovací tlačítko

**POZOR:** Nemačkejte spoušť silou bez stisknutí odjišťovacího tlačítka. Mohlo by dojít k poškození spínače.

## Elektrická brzda

Toto nářadí je vybaveno elektrickou brzdou kotouče. Jestliže se opakovaně stane, že se kotouč okružní pily zastavuje po uvolnění páčky spínače pomalu, nechejte provést servis nářadí v servisním středisku Makita.

**⚠️ UPOZORNĚNÍ:** Systém brzdý kotouče nenahrazuje kryt kotouče. NÁŘADÍ NIKDY NEPOUŽÍVEJTE BEZ FUNKČNÍHO KRYTU KOTOUČE. MOHLO BY DOJÍT K VÁŽNÉMU ÚRAZU OSOB.

## Elektronické funkce

Následující elektronické funkce a vlastnosti nářadí umožňují jejich snadné provozování.

### Funkce měkkého spuštění

Měkké spuštění potlačením počátečního rázu.

## SESTAVENÍ

**⚠️ UPOZORNĚNÍ:** Před prováděním jakýchkoli prací na nářadí se vždy přesvědčte, zda je vypnuté a je vyjmutý akumulátor.

## Uložení vyhnutého klíče

Není-li používán, uložte vyhnutý klíč, jak je ilustrováno na obrázku. Předejete tak jeho ztrátě.

► **Obr.14:** 1. Vyhnutý klíč

## Instalace a demontáž kotouče okružní pily

**⚠️ UPOZORNĚNÍ:** Dbejte, aby byl kotouč okružní pily nainstalován tak, aby na přední straně nářadí směřovaly zuby nahoru.

**⚠️ UPOZORNĚNÍ:** Při instalaci a demontáži kotouče okružní pily používejte pouze vyhnutý klíč Makita.

## Instalace kotouče okružní pily

**POZNÁMKA:** Kotouč okružní pily může již být v okamžiku odeslání nainstalován.

1. Stiskněte úplné zámečkové hřídele tak, aby se hřídele neotáčela, a poté pomocí vyhnutého klíče povolte šroub s šestihrannou hlavou. Pak vyjměte šroub s šestihrannou hlavou a vnější přírubu.

► **Obr.15:** 1. Zámečkové hřídele 2. Vyhnutý klíč 3. Povolit 4. Utažení

2. Nainstalujte vnitřní přírubu, kroužek (specifické podle země), kotouč okružní pily, vnější přírubu a šroub s šestihrannou hlavou. Při tom zarovnejte směr šipky na kotouči s šipkou na nářadí.

### Nářadí bez kroužek

► **Obr.16:** 1. Šroub s šestihrannou hlavou 2. Vnější přírubu 3. Kotouč okružní pily 4. Šipka

na kotouči okružní pily 5. Vnitřní příruba 6. Šipka na nářadí

#### Nářadí s kroužkem

► **Obr.17:** 1. Šroub s šestihrannou hlavou 2. Vnější příruba 3. Kotouč okružní pily 4. Šipka na kotouči okružní pily 5. Kroužek 6. Vnitřní příruba 7. Šipka na nářadí

3. Stiskněte zámek hřídele a utáhněte šroub se šestihrannou hlavou.

## Nářadí s vnitřní přírubou pro jiné pilové kotouče než s otvorem o průměru 15,88 mm

Vnitřní příruba má na jedné straně prolis určitého průměru a na druhé straně prolis jiného průměru. Zvolte správnou stranu, jejíž prolis přesně zapadne do otvoru kotouče okružní pily. Vnitřní přírubu nasadte na hřídel tak, aby správná strana prolisu vnitřní příruby směřovala ven a nasadte kotouč okružní pily s vnější přírubou.

► **Obr.18:** 1. Hřídel 2. Vnitřní příruba 3. Kotouč okružní pily 4. Vnější příruba 5. Šroub s šestihrannou hlavou

**VAROVÁNÍ:** NEZAPOMEŇTE PEVNĚ SMĚREM VLEVO DOTÁHNOUT ŠROUB S ŠESTIHRANEM. Nikdy však šroub nedotahujte násilím. Pokud se vám šestihranný klíč vysmekne z ruky, může dojít ke zranění.

**VAROVÁNÍ:** Zajistěte, aby prolis „a“ vnitřní příruby směřující směrem ven dokonale zapadl do otvoru „a“ pilového kotouče. Montáž kotouče okružní pily na chybnou stranu může způsobit nebezpečné vibrace.

## Nářadí s vnitřní přírubou pro pilové kotouče s průměrem otvoru 15,88 mm (specifické pro danou zemi)

Na hřídel nasadte vnitřní přírubu zapuštěnou částí směrem ven a pak nasadte pilový kotouč (pokud je třeba, s nasazeným kroužkem), vnější přírubu a šroub se šestihrannou hlavou.

#### Nářadí bez kroužku

► **Obr.19:** 1. Hřídel 2. Vnitřní příruba 3. Kotouč okružní pily 4. Vnější příruba 5. Šroub s šestihrannou hlavou

#### Nářadí s kroužkem

► **Obr.20:** 1. Hřídel 2. Vnitřní příruba 3. Kotouč okružní pily 4. Vnější příruba 5. Šroub s šestihrannou hlavou 6. Kroužek

**VAROVÁNÍ:** NEZAPOMEŇTE PEVNĚ SMĚREM VLEVO DOTÁHNOUT ŠROUB S ŠESTIHRANEM. Nikdy však šroub nedotahujte násilím. Pokud se vám šestihranný klíč vysmekne z ruky, může dojít ke zranění.

**VAROVÁNÍ:** Pokud je pro nasazení kotouče okružní pily na vřeteno potřebný kroužek, vždy se ujistěte, zda je na vřetenu mezi vnitřní a vnější přírubou umístěn správný kroužek odpovídající otvoru v kotouči, který se chystáte použít. Použití kroužku s nesprávným otvorem může vést k nesprávnému uchycení kotouče okružní pily, jeho pohybu a silným vibracím s následnou možností ztráty kontroly za provozu, jež může způsobit vážné zranění.

## Demontáž kotouče okružní pily

1. Stiskněte úplně zámek hřídele tak, aby se hřídel neotáčela, a poté pomocí vyhnutého klíče povolte šroub s šestihrannou hlavou. Potom vymontujte šroub se šestihrannou hlavou, vnější přírubu, kotouč okružní pily a kroužek (specificky podle zemí).

2. Při skladování nářadí nainstalujte vnější přírubu a lehce rukou utáhněte šroub se šestihrannou hlavou, abyste zabránili ztrátě součástí.

## Čištění krytu kotouče

Při výměně kotouče okružní pily rovněž nezapomeňte očistit horní a dolní kryt kotouče od usazených pilin podle pokynů v části Údržba. Provedení tohoto kroku nevyklučuje nutnost kontroly dolního krytu před každým použitím.

## Připojení odsavače prachu

### Volitelné příslušenství

**POZNÁMKA:** Pryžové víčko uložte do prostoru v přední části nářadí, aby se neztratilo.

**POZNÁMKA:** Když vysavač nepoužíváte, vložte pryžové víčko na hubici na piliny.

Odstraňte z hubice na piliny pryžové víčko a připojte k ní hadici vysavače.

► **Obr.21:** 1. Pryžová krytka

K zajištění čistoty během řezání připojte k nářadí vysavač Makita. K hubici na piliny připojte s použitím předních manžet 24 hadici vysavače.

► **Obr.22:** 1. Hadice odsavače prachu 2. Přední manžety 24 3. Hubice na piliny 4. Pryžová krytka

## PRÁCE S NÁŘADÍM

Toto nářadí je určeno pouze k řezání dřevěných výrobků.

Správné kotouče okružní pily používané podle řezaného materiálu najdete na naší internetové stránce nebo kontaktujte místního prodejce Makita.

## Kontrola funkce krytu čepele

Vyjměte akumulátor.

Nastavte úhel úkosu na 0° a poté odtáhněte rukou dolní kryt až na konec a uvolněte ho. Dolní kryt správně funguje v těchto případech;

- odtahuje se nad základnu zcela hladce a bez překážek;
- automaticky se vrací a dotkne se zarážky.

► **Obr.23:** 1. Horní ochranný kryt 2. Spodní ochranný kryt 3. Základna 4. Doraz 5. Povoleno 6. Utaženo

Jestliže dolní ochranný kryt nefunguje správně, zkontrolujte, zda se uvnitř horního a dolního ochranného krytu nenahromadil prach a piliny. Jestliže dolní ochranný kryt nefunguje správně ani po odstranění prachu a pilin, předejte nářadí k opravě do servisního střediska Makita.

**⚠ UPOZORNĚNÍ:** Při řezání používejte protiprachovou masku.

**⚠ UPOZORNĚNÍ:** Nářadí zlehka posunujte dopředu po přímé rýse. Pokud na nástroj budete tlačit nebo jej zkroutíte, dojde k přehřátí motoru a nebezpečnému zpětnému rázu s rizikem těžkého zranění.

**POZNÁMKA:** Při nízké teplotě bloku akumulátoru nemusí nářadí pracovat na plný výkon. V takové situaci nářadí chvíli používejte například k nenáročným řezům, dokud se akumulátor nezařehje na pokojovou teplotu. Potom již může zařízení pracovat na plný výkon.

► **Obr.24**

Držte nářadí pevně. Nářadí je vybaveno přední rukojetí a zadním držadlem. Použijte obojí k pevnému uchopení nářadí. Budete-li pilu držet oběma rukama, nemůžete si ruce pořezat kotoučem okružní pily. Ustavte základnu na obrobek, aniž by došlo ke kontaktu s kotoučem okružní pily. Poté nářadí zapněte a počkejte, dokud kotouč okružní pily nedosáhne plných otáček. Nyní jednoduše posunujte nářadí dopředu po povrchu obrobku. Udržujte jej rovne a pomalu posunujte až do ukončení řezu.

Chcete-li dosáhnout čistých řezů, udržujte přímou dráhu řezu a rovnoměrnou rychlost posunu. Pokud řez nesleduje přesně dráhu zamýšleného řezu, nepokoušejte se o otočení nebo násilné přesunutí nářadí zpět na rysku řezu. V opačném případě by mohlo dojít k ohnutí kotouče okružní pily, nebezpečnému zpětnému rázu a potenciálnímu vážnému poranění. Uvolněte spínač, počkejte na zastavení kotouče okružní pily a poté nářadí vytáhněte. Ustavte nářadí na novou dráhu řezu a zahajte řez znovu. Pokuste se vyvarovat takového umístění nářadí, při kterém je obsluha vystavena třískám a pilinám vyletujícím z pily. Předejděte poranění použitím ochrany očí.

## Háček

**⚠ UPOZORNĚNÍ:** Při zavěšování nářadí za hák vždy vyjměte akumulátor.

**⚠ UPOZORNĚNÍ:** Nářadí nikdy nezavěšujte vysoko ani na povrchy, z nichž může ztrátou rovnováhy spadnout. Jinak může spadnout a způsobit vážné zranění.

**⚠ UPOZORNĚNÍ:** Netahejte nářadí směrem dolů, když je zaháknuté.

**⚠ UPOZORNĚNÍ:** Součásti určené k zavěšení/montáži používejte výhradně k zamýšlenému účelu. Jejich použití k jinému než zamýšlenému účelu může způsobit nehodu nebo zranění.

Háček je vhodný k dočasnému pověšení nářadí. Chcete-li háček použít, jednoduše jej vyklopte, až zacvakne do otevřené polohy. Když háček nepoužíváte, vždy jej sklopte, až zacvakne do zavřené polohy.

► **Obr.25:** 1. Háček 2. Otevřená pozice 3. Zavřená pozice

► **Obr.26**

## Podélné pravítko (vodící pravítko)

### Volitelné příslušenství

Praktické podélné pravítko vám umožní provádět mimořádně přesné přímé řezy. Jednoduše posuňte podélné pravítko těsně k boku obrobku a zajistěte jej v této poloze pomocí šroubu na přední straně základny. Pravítko také umožňuje opakované provádění řezů se stejnou šířkou.

► **Obr.27:** 1. Podélné pravítko (vodící pravítko) 2. Upínací šroub

## Připojení šňůry (upevňovacího pásu)

**⚠ Bezpečnostní varování specifická pro práce ve výškách**

Přečtěte si veškerá bezpečnostní upozornění a všechny pokyny. Zanedbání dodržování upozornění a pokynů může mít za následek vážné zranění.

1. Při práci ve výškách mějte nářadí vždy připravené pomocí upevňovacího pásu či šňůry. Maximální délka šňůry je 2 m (6,5 ft). Šňůra (upevňovací pás) nesmí připouštět výšku možného pádu větší než 2 m (6,5 ft).
2. Používejte pouze šňůry doporučené pro tento typ nářadí a s nosností minimálně 7,0 kg (15,4 lbs).
3. Nepřipevňujte šňůru nářadí k čemukoliv na svém těle nebo k pohyblivým předmětům. Upevněte šňůru nářadí k pevnému bodu, který odolá silám při pádu nářadí.
4. Před použitím se ujistěte, že je šňůra správně připevněna na obou koncích.
5. Zkontrolujte nářadí a šňůru před každým použitím, zda nejsou poškozené a fungují správně (včetně látky a stehů). Při poškození nebo nesprávné funkci nepoužívejte.

6. **Neomotávejte šňůru kolem ostrých nebo drsných hran a zabraňte, aby s nimi přišla do styku.**
7. **Připojte druhý konec šňůry mimo pracovní oblast tak, aby bylo případné padající nářadí pevně zachyceno.**
8. **Šňůru připraveně tak, aby se padající nářadí pohybovalo směrem od obsluhy.** Upuštěné nářadí se na šňůře zhoupne, což může způsobit zranění nebo ztrátu rovnováhy.
9. **Nepoužívejte poblíž pohyblivých částí nebo běžících strojů.** V opačném případě může vzniknout riziko rozdrčení nebo zachycení.
10. **Nepřenášejte nářadí za nástavec nebo šňůru.**
11. **Nářadí přendávejte z jedné ruky do druhé jen tehdy, jestliže máte dostatečnou rovnováhu.**
12. **Nepřipevňujte šňůru k nářadí takovým způsobem, který brání správné funkci krytů, spínačů a pojistek.**
13. **Dávejte pozor, abyste se do šňůry nezamotali.**
14. **Nepřibližujte šňůru ke stříhací oblasti nářadí.**
15. **Používejte vícečinné nebo šroubovací karabiny. Nepoužívejte jednočinné pružinové karabiny.**
16. **Upuštěné nářadí musí být označeno a vyřazeno z používání. Musí jej prohlédnout společnost Makita nebo autorizované servisní centrum.**

► **Obr.28:** 1. Otvor pro šňůru (upevňovací pás)

## ÚDRŽBA

**▲ UPOZORNĚNÍ:** Před zahájením kontroly nebo údržby nářadí se vždy ujistěte, zda je vypnuté a je vyjmut akumulátor.

**▲ UPOZORNĚNÍ:** Očistěte horní a dolní kryty a zajistěte, aby zde nebyly žádné nahromaděné piliny, jež by mohly bránit funkci dolního krytového systému. Znečištěný krytový systém může omezovat správnou funkčnost, což může mít za následek vážné zranění. Nejúčinnějším způsobem čištění je použití stlačeného vzduchu. **Při odstraňování pilin z krytů stlačeným vzduchem použijte správné prostředky k ochraně zraku a dýchacích cest.**

**▲ UPOZORNĚNÍ:** Po každém použití otřete piliny z nástroje. Jemné piliny by mohly proniknout do nářadí a způsobit jeho poruchu nebo požár.

**POZOR:** Nikdy nepoužívejte benzín, benzen, ředidlo, alkohol či podobné prostředky. Mohlo by tak dojít ke změnám barvy, deformacím či vzniku prasklin.

K zachování BEZPEČNOSTI a SPOLEHLIVOSTI výrobku musí být opravy a veškerá další údržba či seřizování prováděny autorizovanými nebo továrními servisními středisky společnosti Makita s využitím náhradních dílů Makita.

## Seřizení přesnosti 0° řezu

Toto seřizení bylo provedeno při výrobě. Jestliže je však nesprávné, můžete je seřídít následujícím postupem.

1. Uvolněte mírně páčku na desce se stupnicí úkosu.
2. Otočením stavěcího šroubu nastavte základnu kolmo ke kotouči pomocí trojúhelníkového nebo čtvercového pravítka.  
► **Obr.29:** 1. Trojúhelníkové pravítko 2. Stavěcí šroub
3. Utáhněte páčku a poté proveďte kontrolní řez, abyste zkontrolovali vertikální seřizení.

## VOLITELNÉ PŘÍSLUŠENSTVÍ

**▲ UPOZORNĚNÍ:** Pro nářadí Makita popsané v tomto návodu doporučujeme používat následující příslušenství a nástavce. Při použití jiného příslušenství či nástavců může hrozit nebezpečí zranění osob. Příslušenství lze používat pouze pro stanovené účely.

Potřebujete-li bližší informace ohledně tohoto příslušenství, obraťte se na místní servisní středisko společnosti Makita.

- Kotouč okružní pily
- Vyhnutý klíč
- Podélné pravítko (vodící pravítko)
- Přední manžety 24
- Originální akumulátor a nabíječka Makita

**POZNÁMKA:** Některé položky seznamu mohou být k nářadí přibaleny jako standardní příslušenství. Přibalené příslušenství se může v různých zemích lišit.

## ТЕХНІЧНІ ХАРАКТЕРИСТИКИ

<b>Модель:</b>		<b>RS001G</b>
Діаметр диска		185 мм
Макс. глибина різання	Під кутом 0°	65 мм
	Під кутом 45°	45 мм
	Під кутом 53°	38 мм
Швидкість холостого ходу		6 400 хв <sup>-1</sup>
Загальна довжина		446 мм
Номинальна напруга		від 36 до 40 В пост. струму макс
Чиста вага		5,0–6,2 кг

- Оскільки наша програма наукових досліджень і розробок триває безперервно, наведені тут технічні характеристики можуть бути змінені без попередження.
- У різних країнах технічні характеристики можуть бути різними.
- Вага може відрізнятися залежно від допоміжного обладнання, наприклад касети з акумулятором. Найлегші та найважчі комплекти, відповідно до стандарту ЕРТА (Європейська асоціація виробників електроінструменту) від січня 01/2014 року, представлено в таблиці.

### Застосовна касета з акумулятором і зарядний пристрій

Касета з акумулятором	BL4020 / BL4025 / BL4040* / BL4040F* / BL4050F* / BL4080F* *: рекомендований акумулятор
Зарядний пристрій	DC40RA / DC40RB / DC40RC

- Деякі касети з акумулятором і зарядні пристрої, які вказано вище, можуть бути недоступними залежно від вашого регіону або місця перебування.

**⚠ ПОПЕРЕДЖЕННЯ:** Використовуйте лише касети з акумулятором і зарядні пристрої, зазначені вище. Використання будь-яких інших касет з акумулятором і зарядних пристроїв може призвести до травмування й/або пожежі.

### Призначення

Інструмент призначено для поздовжнього та поперечного різання за прямою лінією та різання під косим кутом деревини у міцному контакті з деталлю.

### Шум

Рівень шуму за шкалою А в типовому виконанні, визначений відповідно до стандарту EN62841-2-5: Рівень звукового тиску ( $L_{pA}$ ): 95 дБ (А)  
Рівень звукової потужності ( $L_{WA}$ ): 103 дБ (А)  
Похибка (К): 3 дБ (А)

**ПРИМІТКА:** Заявлене значення шуму було виміряно відповідно до стандартних методів тестування й може використовуватися для порівняння одного інструмента з іншим.

**ПРИМІТКА:** Заявлене значення шуму може також використовуватися для попереднього оцінювання впливу.

**⚠ ПОПЕРЕДЖЕННЯ:** Користуйтеся засобами захисту органів слуху.

**⚠ ПОПЕРЕДЖЕННЯ:** Залежно від умов використання рівень шуму під час фактичної роботи електроінструмента може відрізнятися від заявленого значення вібрації; особливо сильно на це впливає тип деталі, що оброблюється.

**⚠ ПОПЕРЕДЖЕННЯ:** Забезпечте належні запобіжні заходи для захисту оператора, що відповідатимуть умовам використання інструмента (слід брати до уваги всі складові робочого циклу, як-от час, коли інструмент вимкнено та коли він починає працювати на холостому ході під час запуску).

### Вібрація

Загальна величина вібрації (векторна сума трьох напрямків) визначена згідно з EN62841-2-5:  
Режим роботи: пиляння деревини  
Вібрація ( $a_{h,w}$ ): 2,5 м/с<sup>2</sup> або менше  
Похибка (К): 1,5 м/с<sup>2</sup>

**ПРИМІТКА:** Заявлене загальне значення вібрації було виміряно відповідно до стандартних методів тестування й може використовуватися для порівняння одного інструмента з іншим.

**ПРИМІТКА:** Заявлене загальне значення вібрації може також використовуватися для попереднього оцінювання впливу.

**⚠ ПОПЕРЕДЖЕННЯ:** Залежно від умов використання вібрація під час фактичної роботи електроінструмента може відрізнятися від заявленого значення вібрації; особливо сильно на це впливає тип деталі, що оброблюється.

**⚠ ПОПЕРЕДЖЕННЯ:** Забезпечте належні запобіжні заходи для захисту оператора, що відповідатимуть умовам використання інструмента (слід брати до уваги всі складові робочого циклу, як-от час, коли інструмент вимкнено та коли він починає працювати на холостому ході під час запуску).

## Декларації відповідності

*Тільки для країн Європи*

Декларації відповідності наведено в Додатку А цієї інструкції з експлуатації.

## ПОПЕРЕДЖЕННЯ ПРО ДОТРИМАННЯ ТЕХНІКИ БЕЗПЕКИ

### Загальні застереження щодо техніки безпеки при роботі з електроінструментами

**⚠ ПОПЕРЕДЖЕННЯ** Уважно ознайомтеся з усіма попередженнями, інструкціями, рисунками й технічними характеристиками, які стосуються цього електроінструмента. Невиконання наведених далі інструкцій може призвести до ураження електричним струмом, пожежі й (або) тяжких травм.

### Збережіть усі інструкції з техніки безпеки та експлуатації на майбутнє.

Термін «електроінструмент», зазначений у інструкції з техніки безпеки, стосується електроінструмента, який функціонує від електромережі (електроінструмент з кабелем живлення), або електроінструмента з живленням від батареї (безпроводний електроінструмент).

## Попередження про небезпеку під час роботи з бездротовою циркулярною пилою.

### Порядок експлуатації

1. **⚠ НЕБЕЗПЕЧНО!** Завжди тримайте руки на відстані від зони різання та полотна. Тримайте другу руку на допоміжній ручці або кожусі двигуна. Якщо тримати інструмент обома руками, їх неможливо буде порізати об полотно.
2. **Забороняється простягати руки нижче деталі.** Кожух не захищає від полотна внизу деталі.
3. **Необхідно відрегулювати глибину різання відповідно до товщини деталі.** Щонайменше один зубець полотна має бути повністю видно внизу деталі.
4. **Забороняється під час різання тримати деталь у руках або на колінах.** Необхідно закріпити деталь на стійкій поверхні. Дуже важливо забезпечити належну опору робочого місця, щоб звести до мінімуму вплив на тіло, заїдання полотна та втрату керування.

### ► Рис.1

5. **Тримайте електроприлад за ізольовані поверхні держака під час виконання дії, за якої різальний інструмент може зачепити сховану електропроводку.** Торкання дроту під напругою може призвести до передавання напруги до металевих частин електроінструмента й до ураження оператора електричним струмом.
6. **Під час поздовжнього пиляння обов'язково використовуйте напрямну планку або пряму лінійку.** Це покращить точність різання та зменшить імовірність заїдання полотна.
7. **Обов'язково використовуйте полотна зі шпindelними отворами відповідного розміру та форми (ромбічні або круглі).** Полотна, що не відповідають приладдю для кріплення пили, працюватимуть ексцентрично, що призведе до втрати контролю.
8. **Заборонено використовувати пошкоджені або невідповідні шайби та болти для полотна.** Шайби та болти полотна спеціально розроблені для цієї пили для забезпечення оптимальних робочих характеристик та безпечної експлуатації.

### Причини віддачі та відповідні попередження:

- Віддача — це несподівана реакція затиснутого, застряглого або зміщеного диска пили, що призводить до неконтрольованого вистрілювання пили вгору та з деталі в напрямку до оператора.
- Коли диск затиснуло або щільно заїло в пропилю, він зупиняється, а працюючий двигун призводить до швидкого відкидання пристрою до оператора.
- якщо полотно закрутилося або змістилося в прорізі, зубець заднього краю полотна може встромитися у верхню поверхню деревини, що в свою чергу призведе до виходу полотна із

пропили та відскакуванню його до оператора. Причинами віддачі є неправильне користування пилою та/або неправильний порядок або умови експлуатації. Її можна уникнути, дотримуючись запобіжних заходів, наведених нижче.

1. **Необхідно міцно обома руками тримати пилу за ручку та розмістити руки таким чином, щоб протистояти зусиллю віддачі. Необхідно зайняти положення з будь-якого боку полотна, але не на одній лінії з ним. У разі віддачі пила відскочить назад, але оператор зможе контролювати зусилля віддачі, якщо буде вжито всіх запобіжних заходів.**
2. **У разі заїдання полотна або переривання різання з будь-яких причин потрібно відпустити курок та утримувати пилу в матеріалі нерухомо до повної зупинки полотна. Ні в якому разі не можна намагатися виїняти пилу з деталі або витягти її під час руху полотна — це може спричинити віддачу. Ретельно огляньте пилу та виконайте необхідні дії з усунення причини заїдання полотна.**
3. **Під час повторного встановлення пили на деталь необхідно відцентрувати диск пили в пропили так, щоб зубці пили не зачепилися за матеріал. Якщо диск пили затиснуло, він може вийти або зіскочити з деталі під час повторного ввімкнення пили.**
4. **Необхідно забезпечити опору великих панелей, щоб мінімізувати ризик защемлення полотна та віддачі. Великі панелі прогинаються під своєю вагою. Необхідно розташувати опору з обох боків панелі, біля лінії різання та біля краю панелі.**

► **Рис.2**

► **Рис.3**

5. **Не можна користуватися тупими або пошкодженими полотнами. Незагострені або неправильно встановлені полотна роблять вузький пропили, що призводить до надмірного тертя, заїдання полотна або віддачі.**
6. **Перед початком різання необхідно затягнути та закріпити затискні важелі регулювання глибини та нахилу полотна. Зміщення регулювання полотна під час різання може призвести до заїдання або віддачі.**
7. **Необхідна особлива обережність під час різання в наявні стіни або інші невидимі зони. Виступаюче полотно може зіткнутися з предметами, що спричиняють віддачу.**
8. **ОБОВ'ЯЗКОВО міцно тримайте інструмент обома руками. НІ В ЯКОМУ РАЗІ не кладіть руку, ногу чи будь-яку частину тіла нижче основи інструмента або позаду пили, особливо під час поперечного різання. У разі віддачі пила може просто перескочити через руку та спричинити серйозну травму.**

► **Рис.4**

9. **Ні в якому разі не прикладайте силу до пили. Натискайте на пилу вперед із такою швидкістю, щоб полотно різало, не зменшуючи швидкості. Прикладання сили до пили може призвести до нерівного прорізу, втрати точності та можливої віддачі.**

## Функція захисного кожуха

1. **Щораз перед початком роботи слід перевіряти належне закриття нижнього кожуху. Не слід починати роботу з пилою, якщо нижній захисний кожух не рухається вільно та одразу не закривається. Ніколи не слід затискати або натягувати нижній кожух у відкритому положенні. Якщо пила випадково впаде, нижній захисний кожух може погнутися. Слід підняти нижній захисний кожух за допомогою ручки та переконаватися, що він вільно пересувається та не торкається диску або іншої частини при будь-якому куті та глибині різання.**
2. **Слід перевірити функціонування пружини нижнього захисного кожуха. У разі неналежного функціонування захисного кожуха та пружини їх необхідно відремонтувати перед використанням. Нижній захисний кожух може повільно працювати при наявності пошкодження частин, клейких відкладень або накопичення сміття.**
3. **Нижній захисний кожух можна відводити руками тільки при вкритті спеціальних прорізів, таких як «врізання» та «комбіноване різання». Підніміть нижній захисний кожух за допомогою ручки відведення та, як тільки диск пили увійде у матеріал, відпустіть нижній захисний кожух. Для решти видів різання нижній кожух повинен працювати автоматично.**
4. **Перед встановленням пили на верстат або підлогу слід завжди перевіряти, щоб нижній захисний кожух покривав диск. Незахищений диск, що рухається за інерцією, призведе до пересування пили назад, ріжучи будь-які предмети на своєму шляху. Слід пам'ятати, що після відпускання вмикача диску потрібен деякий час для повної зупинки.**
5. **Щоб перевірити нижній кожух, його слід відкрити вручну, а потім необхідно відпустити і подивитися, як він закривається. Також слід переконаватися, що ручка відведення не торкається кожуха інструмента. Залишення ріжучого диска незахищеним є ДУЖЕ НЕБЕЗПЕЧНИМ, адже може призвести до серйозних травм.**

## Додаткові попередження про необхідну обережність

1. **Виявляйте особливу обережність під час різання сирої деревини, лісоматеріалу, обробленого під тиском, або суцукватого деревини. Плавно просувайте інструмент вперед, не зменшуючи швидкості полотна, щоб уникнути перегрівання зубців.**
2. **Не намагайтеся забирати відрізаний матеріал під час руху полотна. Зачекайте до зупинки полотна, перш ніж брати відрізаний матеріал. Полотно рухається за інерцією після вимкнення.**
3. **Уникайте різання цвяхів. Перед початком роботи огляньте лісоматеріал та видаліть із нього всі цвяхи.**
4. **Розташуйте ширшу частину основи пили на тій частині деталі, що має надійну опору, а не на тій, яка відпаде після різання. Короткі**

або малі деталі необхідно притискати.  
**ЗАБОРОНЕНО ТРИМАТИ КОРОТКІ ДЕТАЛІ РУКАМИ!**

► Рис.5

5. Перед тим як відставляти інструмент після завершення різання, переконайтеся, що захисний кожух закритий і полотно повністю зупинилося.
6. Ні в якому разі не намагайтеся різати затиснутою лещатами перевернутою циркулярною пилою. Це дуже небезпечно та може призвести до тяжких нещасних випадків.

► Рис.6

7. Деякі матеріали містять токсичні хімічні речовини. Будьте обережні, щоб не допустити вдихання пилу та його контакту зі шкірою. Дотримуйтеся правил техніки безпеки виробника матеріалу.
8. Заборонено зупиняти полотна, прикладаючи боковий тиск до ріжучого полотна.
9. Заборонено використовувати абразивні диски.
10. Використовуйте тільки ріжуче полотно, що має діаметр, зазначений на інструменті або вказаний в інструкції з експлуатації. Використання полотна невідповідного розміру може завдати належному захисту полотна або функціонуванню захисного кожуха, що можуть призвести до серйозних травм.
11. Полотно має бути гострим та чистим. Деревини пек та смола, застигли на полотнах, сповільнюють пилу та збільшують ризик віддачі. Підтримуйте чистоту полотна. Для цього зніміть його з інструмента, а потім очистіть за допомогою засобу для видалення смоли, гарячої води або гасу. Використовувати бензин заборонено.
12. Під час користування інструментом використовуйте пилозахисну маску та засоби захисту органів слуху.
13. Завжди використовуйте диск пили, що призначений для різання саме того матеріалу, який ви збираєтеся різати.
14. Використовуйте тільки такі диски пили, на яких указана швидкість дорівнює швидкості, зазначеній на інструменті, або є більшою за неї.
15. (Тільки для європейських країн) Для роботи з деревиною або аналогічними матеріалами використовуйте диск, що відповідає стандарту EN847-1.
16. Розмістіть інструмент і деталі на рівній та стійкій поверхні. В іншому випадку інструмент або деталі можуть впасти й спричинити травми.

## ЗБЕРІГАЙТЕ ЦІ ВКАЗІВКИ.

**▲ ПОПЕРЕДЖЕННЯ:** НІКОЛИ НЕ втрачайте пильності та не розслабляйтеся під час користування виробом (що можливо при частому використанні); обов'язково строго дотримуйтеся відповідних правил безпеки. **НЕНАЛЕЖНЕ ВИКОРИСТАННЯ** або недотримання правил безпеки, викладених у цій інструкції з експлуатації, може призвести до серйозних травм.

## Важливі інструкції з безпеки для касети з акумулятором

1. Перед тим як користуватися касетою з акумулятором, слід прочитати всі інструкції та застережні знаки щодо (1) зарядного пристрою акумулятора, (2) акумулятора та (3) виробів, що працюють від акумулятора.
2. Не розбирайте касету з акумулятором і не змінюйте її конструкцію. Це може призвести до пожежі, перегріву або вибуху.
3. Якщо період роботи дуже покоротшав, слід негайно припинити користування. Це може призвести до виникнення ризику перегріву, опіку та навіть вибуху.
4. У разі потрапляння електроліту в очі слід промити їх чистою водою та негайно звернутися до лікаря. Це може призвести до втрати зору.
5. Не закоротіть касету з акумулятором.
  - (1) Не слід торкатися клем будь-яким струмопровідним матеріалом.
  - (2) Не слід зберігати касету з акумулятором у ємності з іншими металевими предметами, такими як цвяхи, монети тощо.
  - (3) Не залишайте касету з акумулятором під дощем, запобігайте контакту з водою.Коротке замикання може призвести до появи значного струму, перегріву, можливих опіків та навіть виходу з ладу.
6. Не слід зберігати й використовувати інструмент і касету з акумулятором у місцях, де температура може сягнути чи перевищити 50 °C (122 °F).
7. Не слід спалювати касету з акумулятором, навіть якщо вона була неодноразово пошкоджена або повністю спрацьована. Касета з акумулятором може вибухнути у вогні.
8. Заборонено забивати цвяхи в касету з акумулятором, різати, ламати, кидати, впускати касету з акумулятором або вдаряти її твердим предметом. Це може призвести до пожежі, перегріву або вибуху.
9. Не слід використовувати пошкоджений акумулятор.
10. Літій-іонні акумулятори, що містяться в інструменті, мають відповідати вимогам законів про небезпечні товари. Під час транспортування за допомогою комерційних перевезень, наприклад із залученням третьої сторони та експедиторів, необхідно дотримуватись особливих вимог, вказаних на пакуванні й у маркуванні. Під час підготування позиції до відправлення необхідно проконсультуватись зі спеціалістом з небезпечних матеріалів. Крім того, слід виконувати більш докладні національні встановлення, якщо такі є. Заклейте відкриті контакти стрічкою або заховайте їх і запакуйте акумулятор таким чином, щоб він не міг рухатися в пакуванні.
11. Для утилізації касети з акумулятором

втягніть її з інструмента та утилізуйте безпечним способом. Дотримуйтеся норм місцевого законодавства щодо утилізації акумуляторів.

12. Використовуйте акумулятори лише з виробами, указаними компанією Makita. Установлення акумуляторів у невідповідні машини може призвести до пожежі, надмірного нагрівання, вибуху чи витoku електроліту.
13. Якщо інструментом не користуватимуться протягом тривалого періоду часу, вийміть акумулятор з інструмента.
14. Під час і після використання касета з акумулятором може нагріватися, що може стати причиною опіків або низькотемпературних опіків. Будьте обережні під час поводження з гарячою касетою з акумулятором.
15. Не торкайтеся контактів інструмента відразу після використання, оскільки він може бути досить гарячим, щоб викликати опіки.
16. Не допускайте, щоб уламки, пила або земля прилипали до контактів, отворів і пазів на касеті з акумулятором. Це може призвести до перегріву, займання, вибуху та виходу з ладу інструмента або касети з акумулятором і спричинити опіки або травми.
17. Якщо інструмент не розраховано на використання поблизу високовольтних ліній електропередач, не використовуйте касету з акумулятором поблизу високовольтних ліній електропередач. Це може призвести до несправності, поломки інструмента або касети з акумулятором.
18. Тримайте акумулятор у недоступному для дітей місці.

## ЗБЕРІГАЙТЕ ЦІ ВКАЗІВКИ.

**⚠ОБЕРЕЖНО:** Використовуйте тільки акумулятори Makita. Використання акумуляторів, інших ніж оригінальні акумулятори Makita, або акумуляторів, конструкцію яких було змінено, може призвести до вибуху акумулятора і спричинити пожежу, травму або пошкодження. У зв'язку з цим також буде анульовано гарантію Makita на інструмент Makita і на зарядний пристрій.

## Поради з забезпечення максимального строку експлуатації акумулятора

1. Касету з акумулятором слід заряджати до того, як він розрядиться повністю. Завжди слід зупинити роботу інструмента та зарядити акумулятор, якщо ви помітили зменшення потужності інструмента.
2. Ніколи не слід заряджати повторно повністю заряджену касету з акумулятором. Перезарядження скорочує строк експлуатації акумулятора.
3. Заряджайте касету з акумулятором при кімнатній температурі 10°C - 40°C (50°F - 104°F). Перед тим як заряджати касету з акумулятором, слід зачекати, доки вона охолоне.
4. Коли касета з акумулятором не

використовується, виймайте її з інструмента або зарядного пристрою.

5. Якщо касета з акумулятором не використувалася тривалий час (понад шість місяців), її слід зарядити.

## ОПИС РОБОТИ

**⚠ОБЕРЕЖНО:** Обов'язково переконайтеся, що прилад вимкнено, а касету з акумулятором знято, перед регулюванням або перевіркою функціонування інструмента.

## Встановлення та зняття касети з акумулятором

**⚠ОБЕРЕЖНО:** Завжди вимикайте інструмент перед встановленням або зняттям касети з акумулятором.

**⚠ОБЕРЕЖНО:** Під час встановлення або зняття касети з акумулятором слід міцно тримати інструмент та касету з акумулятором. Якщо ви утримуватимете інструмент та касету з акумулятором недостатньо міцно, вони можуть вислизнути з рук, що може призвести до пошкодження інструмента та касети з акумулятором або може спричинити травми.

**⚠ОБЕРЕЖНО:** Не використовуйте разом із циркулярною пилою адаптер акумулятора. Кабель адаптера може ускладнити роботу з пилою і призвести до травмування.

► **Рис.7:** 1. Червоний індикатор 2. Кнопка 3. Касета з акумулятором

Щоб зняти касету з акумулятором, слід витягнути її з інструмента, натиснувши на кнопку в передній частині касети.

Щоб установити касету з акумулятором, слід сумістити виступ на касеті з акумулятором із пазами корпусу й вставити касету на місце. Вставляйте її до кінця, щоб вона зафіксувалася з легким клацанням. Якщо ви бачите червоний індикатор, як показано на рисунку, її не зафіксовано повністю.

**⚠ОБЕРЕЖНО:** Завжди вставляйте касету з акумулятором повністю, щоб червоного індикатора не було видно. Якщо цього не зробити, касета може випадково випасти з інструмента та завдати травми вам або людям, що знаходяться поряд.

**⚠ОБЕРЕЖНО:** Не встановлюйте касету з акумулятором із зусиллям. Якщо касета не вставляється легко, то це означає, що ви її неправильно вставляєте.

## Система захисту інструмента/акумулятора

Інструмент оснащено системою захисту інструмента/акумулятора. Ця система автоматично вимикає

живлення двигуна з метою збільшення терміну служби інструмента та акумулятора. Інструмент автоматично зупиняється під час роботи, якщо він або акумулятор перебувають у зазначених нижче умовах. За певних умов загоряються індикатори.

## Захист від перевантаження

Якщо під час використання інструмента/акумулятора споживається забагато струму, інструмент автоматично зупиняється. У такому випадку вимкніть інструмент і припиніть роботу, під час виконання якої сталося перевантаження інструмента. Щоб перезапустити інструмент, увімкніть його знову.

## Захист від перегрівання

Коли інструмент/акумулятор перегріється, інструмент зупиниться автоматично. У такій ситуації зачекайте, доки інструмент охолоне, перш ніж знову його увімкнати.

## Захист від надмірного розрядження

Коли заряд акумулятора стає замалим, інструмент автоматично зупиняється. Якщо інструмент не працює, навіть коли задіяні вмикачі, необхідно витягнути з інструмента акумулятори та зарядити їх.

## Відображення залишкового заряду акумулятора

Натисніть кнопку перевірки на касеті з акумулятором для відображення залишкового ресурсу акумулятора. Індикаторні лампи загоряться на кілька секунд.

► **Рис.8:** 1. Індикаторні лампи 2. Кнопка перевірки

Індикаторні лампи			Залишковий ресурс
Горить	Вимк.	Блимає	
■	□	◐	від 75 до 100%
■ ■ ■ ■	□ □ □ □	□ □ □ □	
■ ■ ■ □	□ □ □ □	□ □ □ □	
■ ■ □ □	□ □ □ □	□ □ □ □	
■ □ □ □	□ □ □ □	□ □ □ □	від 25 до 50%
■ □ □ □	□ □ □ □	□ □ □ □	від 0 до 25%
◐ □ □ □	□ □ □ □	□ □ □ □	Зарядіть акумулятор.
■ ■ □ □	□ □ □ □	□ □ □ □	
□ □ □ □	□ □ □ □	■ ■ ■ ■	Можливо, акумулятор вийшов з ладу.
□ □ □ □	□ □ □ □	■ ■ ■ ■	

**ПРИМІТКА:** Залежно від умов використання та температури оточуючого середовища показання можуть незначним чином відрізнятися від дійсного ресурсу.

**ПРИМІТКА:** Перша (дальня ліва) індикаторна лампа блимає під час роботи захисної системи акумулятора.

## Функція автоматичної зміни швидкості

Цей інструмент має «режим високої швидкості» та «режим високого крутного моменту». Інструмент змінює режим роботи автоматично залежно від робочого навантаження. За невеликого робочого навантаження інструмент працюватиме в «режимі високої швидкості» для швидкого різання. Якщо ж навантаження стане високим, інструмент перейде в «режим високого крутного моменту» для збільшення потужності під час різання.

## Регулювання глибини різання

**▲ ОБЕРЕЖНО:** Після регулювання глибини різання необхідно надійно затягнути важіль.

Послабте важіль на напрямній глибини та пересуньте основу вгору або вниз. На необхідній глибині різання закріпіть основу, затягнувши важіль. Для забезпечення акуратнішого та безпечнішого різання відрегулюйте глибину різання таким чином, щоб за межі деталі виходило не більше одного зубця диска. Наложна глибина різання допомагає знизити потенційну небезпеку ВІДДАЧІ, яка може призвести до травмування.

► **Рис.9:** 1. Важіль

## Різнання під кутом

**▲ ОБЕРЕЖНО:** Після регулювання кута нахилу необхідно надійно затягнути важіль.

Послабте важіль і встановіть бажаний кут, відповідно нахиливши основу, а потім надійно затягніть важіль.

► **Рис.10:** 1. Важіль

## Упор-обмежувач

Упор-обмежувач корисний для швидкого встановлення визначеного кута. Поверніть упор-обмежувач таким чином, щоб стрілка на ньому вказувала на потрібний кут нахилу (приблизно 22,5° / 45° / 53°). Послабте важіль, а потім нахиліть основу інструмента, поки він не зупиниться. Положення, в якому основа інструмента зупиняється, відповідає куту, встановленому за допомогою упора-обмежувача. Закріпіть основу в цьому положенні, затягнувши важіль.

► **Рис.11:** 1. Упор-обмежувач

## Візування

Для виконання прямих розрізів необхідно сумістити положення 0° спереду основи з лінією різання. Для різання з кутом нахилу 45° необхідно сумістити положення 45° з лінією різання.

► **Рис.12:** 1. Лінія різання (положення 0°) 2. Лінія різання (положення 45°)

## Дія вимикача

**▲ ПОПЕРЕДЖЕННЯ:** Перед тим як вставляти касету з акумулятором в інструмент, обов'язково перевірте, чи курок вимикача спрацьовує належним чином та повертається у положення «ВИМК.», коли його відпускають.

**▲ ПОПЕРЕДЖЕННЯ:** ЗАБОРОНЕНО змінювати стан кнопки блокування вимкненого положення шляхом її затискання за допомогою стрічки або будь-яким іншим чином. Використання вимикача з несправною кнопкою блокування вимкненого положення може призвести до ненавмисного увімкнення та серйозних травм.

**▲ ПОПЕРЕДЖЕННЯ:** ЗАБОРОНЕНО користуватися інструментом, якщо він вмикається простим натисканням курка вимикача без натискання кнопки блокування вимкненого положення. Використання вимикача, який потребує ремонту, може спричинити ненавмисне увімкнення та серйозні травми. ПЕРЕД подальшим використанням інструмент слід передати до сервісного центру Makita для ремонту.

**▲ ОБЕРЕЖНО:** Одразу після відпускання курка вимикача активується система гальмування диска циркулярної пили. Міцно тримайте інструмент, щоб протидіяти віддачі системи гальмування, яка виникає під час відпускання курка вимикача. В іншому разі ви можете випустити інструмент із рук і травмуватися.

Для запобігання випадковому натисканню курка вимикача передбачено кнопку блокування вимкненого положення. Щоб увімкнути інструмент, натисніть кнопку блокування вимкненого положення та натисніть на курок вимикача. Щоб зупинити роботу, відпустіть курок вимикача.

► **Рис.13:** 1. Курок вимикача 2. Кнопка блокування вимкненого положення

**УВАГА:** Ніколи не натискайте із силою на курок вимикача, якщо кнопка блокування вимкненого положення не натиснута. Це може призвести до поломки вимикача.

## Електричне гальмо

Цей інструмент оснащено електричним гальмом диска. Якщо після відпускання пускового важеля диск циркулярної пили часто продовжує обертатися протягом певного часу, віднесіть інструмент до сервісного центру Makita для обслуговування.

**▲ ОБЕРЕЖНО:** Гальмірна система диска не замінює захисний кожух диска. ЗАБОРОНЕНО ВИКОРИСТОВУВАТИ ІНСТРУМЕНТ, ЯКЩО КОЖУХ ДИСКА НЕ ПРАЦЮЄ. ЦЕ МОЖЕ ПРИЗВЕСТИ ДО ВАЖКИХ ТРАВМ.

## Функції електронного обладнання

Інструменти з електронними функціями є простими в експлуатації завдяки зазначеним нижче особливостям конструкції.

## Функція плавного запуску

Плавний запуск за рахунок стримування ривка під час запуску.

## ЗБОРКА

**▲ ОБЕРЕЖНО:** Обов'язково переконайтеся, що прилад вимкнено, а касету з акумулятором знято, перш ніж проводити будь-які роботи з інструментом.

## Зберігання колінчастого ключа

Коли колінчастий ключ не використовується, зберігайте його, як показано на рисунку, щоб він не загубився.

► **Рис.14:** 1. Колінчастий ключ

## Установлення та зняття диска циркулярної пили

**▲ ОБЕРЕЖНО:** Обов'язково встановлюйте диск циркулярної пили зубцями вгору на передній частині інструмента.

**▲ ОБЕРЕЖНО:** Для встановлення або зняття диска циркулярної пили слід використовувати тільки колінчастий ключ виробництва компанії Makita.

## Установлення диска циркулярної пили

**ПРИМІТКА:** На момент постачання диск циркулярної пили може вже бути встановлений.

1. Повністю натисніть замок вала так, щоб вал кріплення не міг обертатися, і за допомогою колінчастого ключа послабте болт із шестигранною головкою. Потім зніміть болт із шестигранною головкою та зовнішній фланець.

► **Рис.15:** 1. Замок вала 2. Колінчастий ключ 3. Послаблення 4. Затягування

2. Установіть внутрішній фланець, кільце (залежно від регіону), диск циркулярної пили, зовнішній фланець і болт із шестигранною головкою. На цьому етапі встановіть диск на інструменті таким чином, щоб стрілка на диску вказувала в тому ж напрямку, що й стрілка на інструменті.

### Для інструмента без кільця

► **Рис.16:** 1. Болт із шестигранною головкою 2. Зовнішній фланець 3. Диск циркулярної пили 4. Стрілка на диску циркулярної пили 5. Внутрішній фланець 6. Стрілка на інструменті

### Для інструмента з кільцем

► **Рис.17:** 1. Болт із шестигранною головкою 2. Зовнішній фланець 3. Диск циркулярної пили 4. Стрілка на диску циркулярної пили 5. Кільце 6. Внутрішній фланець 7. Стрілка на інструменті

3. Натисніть на замок вала й затягніть болт із шестигранною головкою.

## Для інструмента із внутрішнім фланцем для диска пили з діаметром отвору, відмінним від 15,88 мм

Внутрішній фланець має виступ певного діаметра з одного боку та виступ іншого діаметра з протилежного боку. Виберіть правильну сторону, виступ на якій точно підходить до отвору диска циркулярної пили. Установіть внутрішній фланець на вал для кріплення таким чином, щоб внутрішній фланець був спрямований стороною з виступом правильного розміру назовні, після чого встановіть диск циркулярної пили й зовнішній фланець.

► **Рис.18:** 1. Вал кріплення 2. Внутрішній фланець 3. Диск циркулярної пили 4. Зовнішній фланець 5. Болт із шестигранною головкою

**▲ПОПЕРЕДЖЕННЯ:** ПЕРЕВІРТЕ, ЩОБ БОЛТ ІЗ ШЕСТИГРАННОЮ ГОЛОВКОЮ БУВ НАДІЙНО ЗАТЯГНУТИЙ ПРОТИ ГОДИННИКОВОЇ СТІЛКИ. Також не можна затягувати болт із надмірною силою. Зісковзування руки із шестигранного ключа може спричинити травмування.

**▲ПОПЕРЕДЖЕННЯ:** Переконайтеся, що спрямований назовні виступ «а» на внутрішньому фланці точно підходить до отвору «а» диска пили. Установлення диска циркулярної пили неправильно стороною може призвести до виникнення небезпечної вібрації.

## Для інструмента з внутрішнім фланцем для диска пили з діаметром отвору 15,88 мм (залежить від країни продажу)

Встановіть внутрішній фланець виточеною частиною назовні на вал кріплення, потім установіть диск пили (за необхідності із прикріпленим кільцем), зовнішній фланець та болт із шестигранною головкою.

### Для інструмента без кільця

► **Рис.19:** 1. Вал кріплення 2. Внутрішній фланець 3. Диск циркулярної пили 4. Зовнішній фланець 5. Болт із шестигранною головкою

### Для інструмента з кільцем

► **Рис.20:** 1. Вал кріплення 2. Внутрішній фланець 3. Диск циркулярної пили 4. Зовнішній фланець 5. Болт із шестигранною головкою 6. Кільце

**▲ПОПЕРЕДЖЕННЯ:** ПЕРЕВІРТЕ, ЩОБ БОЛТ ІЗ ШЕСТИГРАННОЮ ГОЛОВКОЮ БУВ НАДІЙНО ЗАТЯГНУТИЙ ПРОТИ ГОДИННИКОВОЇ СТІЛКИ. Також не можна затягувати болт із надмірною силою. Зісковзування руки із шестигранного ключа може спричинити травмування.

**▲ПОПЕРЕДЖЕННЯ:** Якщо для встановлення диска циркулярної пили на шпindelь потрібне кільце, обов'язково переконайтеся, що між внутрішнім та зовнішнім фланцями встановлено кільце належного розміру для того шпindelного отвору диска пили, який буде використовуватися. Використання неправильного кільця для шпindelного отвору може призвести до неналежного кріплення диска циркулярної пили та, як наслідок, до його зміщення й сильної вібрації, що може призвести до втрати контролю над інструментом під час роботи й отримання серйозних травм.

## Зняття диска циркулярної пили

1. Повністю натисніть замок вала так, щоб вал кріплення не міг обертатись, і за допомогою колінчастого ключа послабте болт із шестигранною головкою. Видаліть болт із шестигранною головкою, зовнішній фланець, диск циркулярної пили й кільце (залежить від країни).

2. Залишаючи інструмент на зберігання, установіть зовнішній фланець і злегка затягніть болт із шестигранною головкою вручну, щоб не втратити їх.

## Очищення захисного кожуха диска

Під час заміни диска циркулярної пили обов'язково також прочистіть верхній та нижній захисні кожухи диска від тирси, що накопичилась, як зазначено в розділі «Технічне обслуговування». Однак такі дії не є заміною необхідної перевірки роботи нижнього захисного кожуха перед кожним використанням.

## Під'єднання пілососа

### Додаткове приладдя

**ПРИМІТКА:** Щоб не загубити гумовий ковпачок, закріпіть його на передній панелі інструмента.

**ПРИМІТКА:** Коли пілосос не використовується, прикріпіть гумовий ковпачок до штуцера для пилу.

Зніміть гумовий ковпачок зі штуцера для пилу й під'єднайте шланг пілососа.

► **Рис.21:** 1. Гумовий ковпачок

Щоб забезпечити чистоту під час різання, під'єднайте до інструмента пілосос Makita. Приєднайте шланг пілососа до штуцера для пилу за допомогою передніх манжет 24.

► **Рис.22:** 1. Шланг пілососа 2. Передні манжети 24 3. Штуцер для пилу 4. Гумовий ковпачок

# РОБОТА

Цей інструмент призначено тільки для різання лісоматеріалів.

Для отримання інформації про диски циркулярної пили, що підходять для розрізання вибраного матеріалу, завітайте на наш веб-сайт або зверніться до місцевого дилера компанії Makita.

## Перевірка роботи захисного кожуху

Зніміть касету з акумулятором.

Установіть кут нахилу на 0°, уручну висуньте нижній захисний кожух до кінця й вийміть його. Нижній кожух працює правильно, якщо:

- він виходить над основою без будь-яких перешкод;
- він автоматично повертається до торкання обмежувача.

► **Рис.23:** 1. Верхній захисний кожух 2. Нижній захисний кожух 3. Основа 4. Обмежувач 5. Напрямок відкриття 6. Напрямок закриття

Якщо нижній захисний кожух не працює правильно, переконайтеся в тому, що ошурки збираються всередині верхніх і нижніх захисних кожухів. Якщо нижній кожух не працює правильно навіть після видалення пилу, віднесіть інструмент до сервісного центру Makita для обслуговування.

**▲ОБЕРЕЖНО:** Під час різання надягайте респіратор.

**▲ОБЕРЕЖНО:** Обов'язково плавно рухайте інструмент вздовж прямої лінії. Докладання зусилля або перекручування інструмента можуть призвести до його перегріву та небезпечної віддачі, що в свою чергу може призвести до серйозних травм.

**ПРИМІТКА:** Якщо температура касети з акумулятором низька, інструмент не може працювати на повну потужність. У такому разі інструмент слід використовувати на легких режимах різання, доки температура касети з акумулятором не підніметься до кімнатної. Потім інструмент може працювати на повну потужність.

► **Рис.24**

Тримайте інструмент міцно. Інструмент оснащено передньою та задньою ручками. Тримайте інструмент за обидві ручки. Щоб не порізати руки диском циркулярної пили, тримайте її обома руками. Встановіть основу на робочу деталь таким чином, щоб диск циркулярної пили не торкався деталі. Увімкніть інструмент та зачекайте, поки диск циркулярної пили не набере повної швидкості. Тоді просто плавно пересувайте інструмент прямо по робочій деталі, притискаючи його до поверхні, до завершення розпилювання.

Щоб розпилювання було чистим, намагайтеся дотримуватись прямою лінію розпилювання та рівномірної швидкості просування. Якщо лінія розпилювання не відповідатиме вашим потребам, не намагайтесь

насилно повернути інструмент до лінії розпилювання. Це може призвести до згинання диска циркулярної пили та спричинити небезпечну віддачу та важкі травми. Відпустіть вмикач, дочекайтеся повної зупинки диска циркулярної пили та витягніть інструмент із робочої деталі. Виставте інструмент на нову лінію різання та знову почніть різання. Уникайте такого розташування пили, коли стружка та пил з-під неї потрапляють на оператора. Використовуйте засоби захисту очей, щоб уникнути травмування.

## Гак

**▲ОБЕРЕЖНО:** Підвішуючи інструмент за гачок, завжди знімайте акумулятор.

**▲ОБЕРЕЖНО:** Ніколи не підвішуйте інструмент занадто високо або на поверхнях, де він може втратити рівновагу й упасти. В іншому випадку інструмент може впасти й завдати важкої травми.

**▲ОБЕРЕЖНО:** Не тягніть підвішений інструмент униз.

**▲ОБЕРЕЖНО:** Використовуйте деталі для підвішування й монтажу лише за призначенням. Використання цих деталей не за призначенням може призвести до нещасного випадку або травми.

Гак є зручним для тимчасового підвішування інструмента. Щоб скористатися гачком, просто підніміть його, щоб він став у відкрите положення з клацанням.

Коли гак не використовується, слід завжди опускати його в закриті положення з клацанням.

► **Рис.25:** 1. Гак 2. Відкрите положення 3. Закрите положення

► **Рис.26**

## Напрямна планка (реєстрова мітка)

### Додаткове приладдя

Зручна напрямна планка дозволяє робити надзвичайно точні прямі розрізи. Слід просто пересунути напрямну планку впритул до краю деталі та закріпити її в положенні за допомогою гвинта в передній частині основи. Це також дає змогу багаторазово виконувати розрізи однакової ширини.

► **Рис.27:** 1. Напрямна планка (реєстрова мітка) 2. Затискний гвинт

## Прикріплення стропа (страхувального ремня)

**▲Інструкції з техніки безпеки робіт на висоті** Ознайомтеся зі всіма застереженнями стосовно техніки безпеки та інструкціями. Недотримання відповідних застережень та інструкцій може призвести до серйозних травм.

1. Під час виконання робіт на висоті обов'язково користуйтеся страхувальним ремнем для фіксації інструмента. Максимальна довжина стропа становить 2 м (6,5 фути).

Максимальна допустима висота падіння для стропа (страхувального ременя) не повинна перевищувати 2 м (6,5 фути).

- З цим інструментом слід використовувати тільки спеціальні стропи, розраховані на навантаження не менше 7,0 кг (15,4 фунти).
- Не прикріплюйте строп інструмента до елементів одягу або до рухливих деталей. Прикріпіть строп інструмента до жорсткої конструкції, яка може витримати вагу інструменту, що падає.
- Перед використанням переконайтеся в тому, що строп надійно закріплений з кожного кінця.
- Перевіряйте інструмент і строп перед кожним використанням на предмет справності та пошкоджень (включаючи стан тканини та швів). Не використовуйте пошкоджене або несправне приладдя.
- Не огортайте стропи навколо предметів з гострими або зазубленими краями і не допускайте контакту стропів з такими предметами.
- Прикріпіть інший кінець стропа за межами робочої зони таким чином, щоб інструмент, що падає, надійно фіксувався.
- Прикріпіть строп таким чином, щоб у разі падіння інструмент рухався в протилежному від оператора напрямку. Інструменти, що впали, розгойдуватимуться на стропі, що може призвести до травми або втрати балансу.
- Не використовувати поблизу рухомих частин або обладнання, що працює. Недотримання цієї вимоги може призвести до механічних пошкоджень або заплутування.
- Не переносьте інструмент, тримаючи за кріпильне пристосування або строп.
- Перекладайте інструмент з однієї руки в іншу тільки перебуваючи в стійкому положенні.
- Прикріплюючи стропи до інструмента, стежте за тим, щоб вони не перешкождали нормальній роботі захисних пристосувань, перемикачів або важелів блокування.
- Не допускайте заплутування в стропі.
- Тримайте строп на відстані від зони різання інструмента.
- Використовуйте універсальні карабіни та карабіни з гвинтовим замком. Не використовуйте карабіни однобічної дії з пружинним фіксатором.
- Інструмент, що впав, слід позначити, припинити його експлуатацію та відправити на завод або до авторизованого сервісного центру Makita для перевірки.

► Рис.28: 1. Отвір для стропа (страхувальний ремінь)

## ТЕХНІЧНЕ ОБСЛУГОВУВАННЯ

**▲ОБЕРЕЖНО:** Перед здійсненням перевірки або обслуговування завжди перевіряйте, щоб інструмент був вимкнений, а касета з акумулятором була знята.

**▲ОБЕРЕЖНО:** Очистіть нижній та верхній захисні кожухи диска і переконайтеся у тому, що на них немає тирси, яка може зашкодити роботі захисної системи нижнього захисного кожуха. Засміченість захисної системи може обмежити належну функціональність, і це може призвести до отримання серйозних травм. Найефективнішим способом чищення є використання стиснутого повітря. Під час вив'язання пилу з захисного кожуха диска обов'язково вдягайте відповідні засоби захисту органів зору та дихання.

**▲ОБЕРЕЖНО:** Після кожного використання видаляйте ошурки з інструменту. Дрібні ошурки можуть потрапити всередину інструмента й призвести до неполадки або загоряння.

**УВАГА:** Ніколи не використовуйте газолін, бензин, розріджувач, спирт та подібні речовини. Їх використання може призвести до зміни кольору, деформації або появи тріщин.

Для забезпечення БЕЗПЕКИ та НАДІЙНОСТІ продукції, її ремонт, а також роботи з обслуговування або регулювання повинні виконуватись уповноваженими або заводськими сервісними центрами Makita із використанням запчастин виробництва компанії Makita.

### Регулювання точності різання 0°

Це регулювання було виконано на заводі. За необхідності регулювання можна виконати, як описано далі.

- Злегка послабте важіль на кутовій лінійці.
- Установіть основу перпендикулярно до диска за допомогою косинця, повертаючи гвинт регулювання.  
► Рис.29: 1. Косинець 2. Гвинт регулювання
- Затягніть важіль, а потім зробіть тестовий розріз для перевірки вертикальності.

### ДОДАТКОВЕ ПРИЛАДДЯ

**▲ОБЕРЕЖНО:** Це додаткове та допоміжне обладнання рекомендовано використовувати з інструментом Makita, зазначеним у цій інструкції з експлуатації. Використання будь-якого іншого додаткового та допоміжного обладнання може становити небезпеку травмування. Використовуйте додаткове та допоміжне обладнання лише за призначенням.

У разі необхідності отримати допомогу в більш детальному ознайомленні з оснащенням звертайтеся до місцевого сервісного центру Makita.

- Диск циркулярної пили
- Колінчастий ключ
- Напрямна планка (напрямна лінійка)
- Передні манжети 24
- Оригінальний акумулятор та зарядний пристрій Makita

**ПРИМІТКА:** Деякі елементи списку можуть входити до комплекту інструмента як стандартне приладдя. Вони можуть відрізнятися залежно від країни.

## SPECIFICAȚII

<b>Model:</b>		<b>RS001G</b>
Diametrul pânzei		185 mm
Adâncime maximă de tăiere	la 0°	65 mm
	la înclinație de 45°	45 mm
	la înclinație de 53°	38 mm
Turație în gol		6.400 min <sup>-1</sup>
Lungime totală		446 mm
Tensiune nominală		Max. 36 V - 40 V cc.
Greutate netă		5,0 - 6,2 kg

- Datorită programului nostru continuu de cercetare și dezvoltare, specificațiile pot fi modificate fără o notificare prealabilă.
- Specificațiile pot varia în funcție de țară.
- Greutatea poate diferi în funcție de accesoriu(ii), inclusiv cartușul acumulatorului. În tabel se prezintă combinația cea mai ușoară și cea mai grea, conform Procedurii EPTA 01/2014.

### Cartușul acumulatorului și încărcătorul aplicabile

Cartușul acumulatorului	BL4020 / BL4025 / BL4040* / BL4040F* / BL4050F* / BL4080F* * : Acumulator recomandat
Încărcător	DC40RA / DC40RB / DC40RC

- Este posibil ca unele cartușe ale acumulatorilor și încărcătoare menționate mai sus să nu fie disponibile în funcție de regiunea dvs. de reședință.

**⚠️AVERTIZARE:** Utilizați numai cartușele de acumulator și încărcătoarele enumerate mai sus. Utilizarea oricăror altor cartușe de acumulator și încărcătoare poate duce la rănire și/sau incendiu.

### Destinația de utilizare

Mașina este destinată executării tăierilor longitudinale și transversale, drepte și oblice, în lemn, menținând un contact ferm cu piesa de prelucrat.

### Zgomot

Nivelul de zgomot normal ponderat A determinat în conformitate cu EN62841-2-5:

Nivel de presiune acustică ( $L_{pA}$ ): 95 dB(A)

Nivel de putere acustică ( $L_{WA}$ ): 103 dB (A)

Marjă de eroare (K): 3 dB(A)

**NOTĂ:** Valoarea (valorile) totală(e) a (ale) emisiilor de zgomot declarate a(u) fost măsurată(e) în conformitate cu o metodă de test standard și poate (pot) fi utilizată(e) pentru compararea unei unelte cu alta.

**NOTĂ:** Valoarea (valorile) totală(e) a (ale) emisiilor de zgomot declarate poate (pot) fi, de asemenea, utilizată(e) într-o evaluare preliminară a expunerii.

**⚠️AVERTIZARE:** Purtați echipament de protecție pentru urechi.

**⚠️AVERTIZARE:** Emisiile de zgomot în timpul utilizării efective a unelei electrice poate diferi de valoarea (valorile) nivelului declarat, în funcție de modul în care unealta este utilizată, în special ce fel de piesă este prelucrată.

**⚠️AVERTIZARE:** Asigurați-vă că identificați măsurile de siguranță pentru a proteja operatorul, acestea fiind bazate pe o estimare a expunerii în condiții reale de utilizare (luând în considerare toate părțile ciclului de operare, precum timpii în care unealta a fost oprită, sau a funcționat în gol, pe lângă timpul de declanșare).

### Vibrații

Valoarea totală a vibrațiilor (suma vectorilor tri-axiali) determinată conform EN62841-2-5:

Mod de lucru: tăiere lemn

Emisie de vibrații ( $a_{h,w}$ ): 2,5 m/s<sup>2</sup> sau mai puțin

Marjă de eroare (K): 1,5 m/s<sup>2</sup>

**NOTĂ:** Valoarea (valorile) totală(e) a (ale) nivelului de vibrații declarat a (au) fost măsurată(e) în conformitate cu o metodă de test standard și poate (pot) fi utilizată(e) pentru compararea unei unelte cu alta.

**NOTĂ:** Valoarea (valorile) totală(e) a (ale) nivelului de vibrații declarat poate (pot) fi, de asemenea, utilizată(e) într-o evaluare preliminară a expunerii.

**⚠️ AVERTIZARE:** Nivelul de vibrații în timpul utilizării efective a unelei electrice poate diferi de valoarea (valorile) nivelului declarat, în funcție de modul în care unealta este utilizată, în special ce fel de piesă este prelucrată.

**⚠️ AVERTIZARE:** Asigurați-vă că identificați măsurile de siguranță pentru a proteja operatorul, acestea fiind bazate pe o estimare a expunerii în condiții reale de utilizare (luând în considerare toate părțile ciclului de operare, precum timpii în care unealta a fost oprită, sau a funcționat în gol, pe lângă timpul de declanșare).

## Declarații de conformitate

### Numai pentru țările europene

Declarațiile de conformitate sunt incluse ca Anexa A la acest manual de instrucțiuni.

## AVERTIZĂRI DE SIGURANȚĂ

### Avertismente generale de siguranță pentru mașinile electrice

**⚠️ AVERTIZARE** Citiți toate avertizările privind siguranța, instrucțiunile, ilustrațiile și specificațiile furnizate cu această mașină electrică. Nerespectarea integrală a instrucțiunilor de mai jos poate provoca electrocutări, incendii și/sau accidente grave.

### Păstrați toate avertismentele și instrucțiunile pentru consultări ulterioare.

Termenul „mașină electrică” din avertizări se referă la mașinile dumneavoastră electrice acționate de la rețea (prin cablu) sau cu acumulator (fără cablu).

### Avertismente privind siguranța pentru ferăstrăul circular cu acumulator

#### Proceduri de tăiere

- ⚠️ PERICOL:** Țineți mâinile la distanță de zona de tăiere și de pânza de ferăstrău. Țineți a doua mână pe mânerul auxiliar sau pe carcasa motorului. Dacă țineți ferăstrăul cu ambele mâini, acestea nu pot fi tăiate de pânză.
- Nu introduceți mâinile sub piesa prelucrată.** Apărătoarea nu vă poate proteja împotriva pânzei

sub piesa prelucrată.

- Reglați adâncimea de tăiere la grosimea piesei de prelucrat.** Sub piesa de prelucrat trebuie să fie vizibil mai puțin decât un dinte complet al pânzei.
- Nu țineți niciodată piesa de lucru în mâini sau pe picioare în timpul tăierii. Fixați piesa de lucru pe o platformă stabilă.** Este important să sprijiniți piesa de lucru în mod corespunzător, pentru a minimiza expunerea corpului, riscul de înțepenire a pânzei sau de pierdere a controlului.

#### ► Fig.1

- Țineți mașina electrică de suprafețele de prindere izolate atunci când executați o operație la care unealta de tăiere poate intra în contact cu cabluri ascunse.** Contactul cu un cablu astfel sub tensiune va pune sub tensiune și componentele metalice neizolate ale mașinii și ar putea duce la electrocutarea utilizatorului.
- Atunci când tăiați, folosiți întotdeauna un ghidaj opritor sau un ghidaj paralel.** Aceasta va crește acuratețea tăierii și reduce riscul de blocare a pânzei.
- Folosiți întotdeauna pânze cu găuri pentru arbore de dimensiuni și forme corecte (romboidele versus rotunde).** Pânzele care nu se potrivesc cu sistemul de montare al ferăstrăului vor funcționa excentric, provocând pierderea controlului.
- Nu folosiți niciodată șaibe sau șuruburi pentru pânză deteriorate sau necorespunzătoare.** Șaibe și șurubul pentru pânză au fost special concepute pentru acest ferăstrău, în vederea obținerii unei performanțe optime și a siguranței în exploatare.

#### Cauze ale reculului și avertismente aferente

- reculul este o reacție bruscă la înțepenirea, blocarea sau abaterea de la coliniaritate a pânzei de ferăstrău și cauzează o deplasare necontrolată a ferăstrăului în sus și către operator;
  - când pânza este înțepenită sau prinsă strâns de închiderea fantei, pânza se blochează și reacția motorului respinge rapid mașina către operator;
  - dacă pânza se răsucește sau nu mai este coliniară cu linia de tăiere, dinții de la marginea posterioară a pânzei se pot înfige în fața superioară a lemnului, cauzând ieșirea pânzei din fantă și saltul acesteia către operator.
- Reculul este rezultatul utilizării incorecte a ferăstrăului și/sau al procedurilor sau condițiilor de lucru necorespunzătoare, putând fi evitat prin adoptarea unor măsuri de precauție adecvate prezentate în continuare.

- Mențineți o priză fermă cu ambele mâini pe ferăstrău și poziționați-vă brațele astfel încât să contracarați forțele de recul. Poziționați-vă corpul de-o parte sau de cealaltă a pânzei, însă nu pe aceeași linie cu aceasta.** Reculul poate provoca un salt înapoi al ferăstrăului, însă forțele de recul pot fi controlate de operator, dacă se adoptă măsuri de precauție adecvate.
- Atunci când pânza se blochează sau atunci când întrerupeți tăierea indiferent de motiv, eliberați butonul declanșator și mențineți ferăstrăul nemiscat în material până când pânza se oprește complet. Nu încercați niciodată să scoateți ferăstrăul din piesa prelucrată sau să**

trageți ferăstrăul înapoi cu pânza aflată în mișcare deoarece există riscul de recul. Investigați cauza blocării pânzei și luați măsuri de eliminare a acesteia.

3. **Atunci când reporniți ferăstrăul din piesa de lucru, centrați pânza de ferăstrău în fantă astfel ca dinții ferăstrăului să nu fie angrenați în material.** Dacă pânza de ferăstrău se blochează, aceasta poate urca pe piesa de lucru sau poate recula din aceasta la repornirea ferăstrăului.
4. **Sprângeți panourile mari pentru a minimiza riscul de înțepenire și reculare a pânzei.** Panourile mari tind să se încovoie sub propria greutate. Sub panou trebuie amplasate suporturi pe ambele laturi, lângă linia de tăiere și lângă marginea panoului.

► Fig.2

► Fig.3

5. **Nu folosiți pânze uzate sau deteriorate.** Pânzele neascuțite sau reglate necorespunzător generează o fantă îngustă care cauzează frecare excesivă, înțepenirea pânzei și reculul.
6. **Pârghiile de reglare și blocare a adâncimii și înclinației de tăiere trebuie să fie strânse și fixate înainte de începerea tăierii.** Deplasarea reglajului pânzei în timpul tăierii poate cauza frecare și reculul.
7. **Lucrați cu mare atenție atunci când executați o tăiere în pereții existenți sau în alte zone mascate.** Pânza poate tăia obiecte care pot provoca un recul.
8. **Țineți ÎNTOTDEAUNA mașina ferm cu ambele mâini. Nu vă poziționați NICIODATĂ mâna, piciorul sau orice parte a corpului sub talpa mașinii sau în spatele ferăstrăului, în special atunci când executați retezări.** Dacă apare un recul, ferăstrăul poate sări cu ușurință înapoi peste mâna dumneavoastră, provocând vătămări corporale grave.

► Fig.4

9. **Nu forțați niciodată ferăstrăul. Împingeți ferăstrăul înainte la o viteză care să permită pânzei să taie fără să încetinească.** Forțarea ferăstrăului poate genera tăieturi neuniforme, reducerea preciziei și posibile reculuri.

#### Funcția apărătoare

1. **Înainte de fiecare utilizare, verificați închiderea corectă a apărătorii inferioare. Nu folosiți ferăstrăul dacă apărătoarea inferioară nu se mișcă liber și nu se închide instantaneu. Nu blocați și nici nu legați niciodată apărătoarea inferioară în poziția deschisă.** Dacă scăpați accidental ferăstrăul, apărătoarea inferioară se poate îndoii. Ridicați apărătoarea inferioară cu maneta de retragere și asigurați-vă că aceasta se mișcă liber și nu atinge pânza sau orice altă piesă, la toate unghiurile și adâncimile de tăiere.
2. **Verificați funcționarea arcului apărătorii inferioare. Dacă apărătoarea și arcul nu funcționează corect, acestea trebuie reparate înainte de utilizare.** Apărătoarea inferioară ar putea funcționa anevoios din cauza unor piese defecte, acumulări cleioase sau depuneri de resturi.
3. **Apărătoarea inferioară trebuie retrasă manual**

numai pentru tăieri speciale, cum ar fi „decupările prin plonjare” și „tăierile combinate”. **Ridicați apărătoarea inferioară cu maneta de retragere și eliberați-o imediat ce pânza pătrunde în material.** Pentru toate celelalte tipuri de tăiere, apărătoarea inferioară trebuie să funcționeze automat.

4. **Aveți grijă întotdeauna ca apărătoarea inferioară să acopere pânza înainte de a așeza ferăstrăul pe banc sau podea.** O pânză neprotejată, aflată în rotire liberă, va provoca deplasarea ferăstrăului înapoi, tăind orice obiecte din calea ei. Aveți în vedere timpul necesar pentru oprirea completă a pânzei după eliberarea comutatorului.
5. **Pentru a verifica apărătoarea inferioară, deschideți-o cu mâna, apoi eliberați-o și urmăriți închiderea ei. Verificați, de asemenea, ca maneta de retragere să nu atingă carcasa mașinii.** Lăsarea pânzei expuse este FOARTE PERICULOASĂ și poate conduce la vătămări corporale grave.

#### Avertismente suplimentare privind siguranța

1. **Lucrați cu mare atenție atunci când tăiați lemn umed, cherestea impregnată sub presiune sau lemn cu noduri.** Păstrați o viteză de avansare uniformă pentru mașină fără reducerea vitezei pânzei, pentru a evita supraîncălzirea dinților pânzei.
2. **Nu încercați să îndepărtați materialul tăiat în timp ce pânza se mișcă. Așteptați ca pânza să se oprească înainte de a apuca materialul tăiat.** Pânzele se rotește liber după oprire.
3. **Evitați tăierea cuielei. Inspectați piesa de prelucrat și eliminați toate cuiele din cherestea înainte de tăiere.**
4. **Așezați porțiunea mai lată a tălpii ferăstrăului pe acea porțiune a piesei de prelucrat care este sprijinită solid, și nu pe porțiunea care va cădea în urma tăierii.** Dacă piesa de prelucrat este scurtă sau mică, fixați-o. **NU ÎNCERCAȚI SĂ ȚINEȚI PIESELE SCURTE CU MÂNA!**

► Fig.5

5. **Înainte de a așeza mașina după finalizarea unei tăieri, asigurați-vă că apărătoarea inferioară s-a închis și că pânza s-a oprit complet.**
6. **Nu încercați niciodată să tăiați cu ferăstrăul circular fixat în poziție răsturnată într-o menghină. Acest mod de utilizare este extrem de periculos și poate duce la accidente grave.**

► Fig.6

7. **Unele materiale conțin substanțe chimice care pot fi toxice. Aveți grijă să nu inhalați praful și evitați contactul cu pielea. Respectați instrucțiunile de siguranță ale furnizorului.**
8. **Nu opriți pânzele aplicând o presiune laterală asupra pânzei de ferăstrău.**
9. **Nu folosiți discuri abrazive.**
10. **Utilizați numai pânze de ferăstrău cu diametru marcat pe mașină sau specificat în manual.** Utilizarea unei pânze de altă mărime poate afecta protecția corespunzătoare a pânzei sau funcționarea apărătorii, putând rezulta accidente grave.
11. **Păstrați pânza ascuțită și curată.** Cleiul și rășina întărite pe pânze încetinesc ferăstrăul și măresc

riscul de recul. Păstrați pânza curată prin demonstarea de pe mașină și curățarea acesteia cu soluție de îndepărtat cleiul și rășina, apă fierbinte sau petrol lampant. Nu folosiți niciodată benzină.

12. **Purtați o mască de protecție contra prafului și mijloace de protecție auditivă atunci când folosiți mașina.**
13. **Întotdeauna utilizați pânza de ferăstrău prevăzută pentru tăierea materialului pe care îl veți tăia.**
14. **Utilizați doar pânze de ferăstrău care sunt marcate cu o turație egală cu sau mai mare decât turația marcată pe mașină.**
15. **(Numai pentru țările europene) Atunci când tăiați lemn sau materiale similare, utilizați întotdeauna o lamă conformă cu standardul EN847-1.**
16. **Poziționați mașina și piesele pe o suprafață plană și stabilă.** În caz contrar, mașina sau piesele pot cădea, cauzând accidentări.

## PĂSTRAȚI ACESTE INSTRUCȚIUNI.

**⚠️ AVERTIZARE:** NU permiteți comodității și familiarizării cu produsul (obținute prin utilizare repetată) să înlocuiască respectarea strictă a normelor de securitate pentru acest produs. FOLOSIREA INCORECTĂ sau nerespectarea normelor de securitate din acest manual de instrucțiuni poate provoca vătămări corporale grave.

### Instrucțiuni importante privind siguranța pentru cartușul acumulatorului

1. Înainte de a folosi cartușul acumulatorului, citiți toate instrucțiunile și atenționările de pe (1) încărcătorul acumulatorului, (2) acumulator și (3) produsul care folosește acumulatorul.
2. **Nu dezasamblați și nu interveniți asupra cartușului acumulatorului.** Acest lucru poate cauza incendii, căldură excesivă sau explozii.
3. **Dacă timpul de funcționare s-a redus excesiv, întrerupeți imediat funcționarea.** Aceasta poate prezenta risc de supraîncălzire, posibile arsuri și chiar explozie.
4. **Dacă electrolitul pătrunde în ochi, clătiți bine ochii cu apă curată și consultați imediat un medic.** Există risc de orbire.
5. **Nu scurtcircuitați cartușul acumulatorului:**
  - (1) Nu atingeți bornele cu niciun material conductor.
  - (2) Evitați depozitarea cartușului acumulatorului la un loc cu alte obiecte metalice cum ar fi cuie, monede etc.
  - (3) Nu expuneți cartușul acumulatorului la apă sau ploaie.

Un scurtcircuit al acumulatorului poate provoca un flux puternic de curent electric, supraîncălzire, posibile arsuri și chiar defectarea mașinii.

6. **Nu depozitați și nu utilizați mașina și cartușul acumulatorului în locuri în care temperatura**

**poate atinge sau depăși 50 °C (122 °F).**

7. **Nu incinerati cartușul acumulatorului chiar dacă acesta este grav deteriorat sau complet uzat.** Cartușul acumulatorului poate exploda în foc.
8. **Nu introduceți cuie în cartușul acumulatorului, nu îl tăiați, striviți, aruncați sau scăpați și nu îl loviți cu un obiect dur.** Astfel de acțiuni pot provoca incendii, căldură excesivă sau explozii.
9. **Nu utilizați un acumulator deteriorat.**
10. **Acumulatorii Li-Ion încorporați se supun cerințelor Legislației privind substanțele periculoase.**

Pentru transporturi comerciale, efectuate de exemplu de către părți terțe, expeditori, trebuie respectate cerințele speciale de ambalare și etichetare.

Pentru pregătirea articolului care urmează să fie expediat, este necesară consultarea unui expert în materiale periculoase. Vă rugăm să respectați, de asemenea, reglementările naționale, care pot fi mai detaliate.

Izolați sau acoperiți contactele deschise și împachetați acumulatorul în așa fel încât să nu se poată mișca în ambalaj.

11. **Atunci când eliminați la deșuri cartușul acumulatorului, scoateți-l din mașină și eliminați-l într-un loc sigur.** Respectați normele naționale privind eliminarea la deșuri a acumulatorului.
12. **Utilizați acumulatoroarele numai cu produsele specificate de Makita.** Instalarea acumulatoroarelor în produse neconforme poate cauza incendii, căldură excesivă, explozii sau scurgeri de electrolit.
13. **Dacă mașina nu este utilizată o perioadă lungă de timp, acumulatorul trebuie scos din acesta.**
14. **În timpul utilizării și după aceea, cartușul acumulatorului se poate încălzi, ceea ce poate cauza arsuri sau arsuri la temperaturi scăzute.** Fiți atenți la manipularea cartușelor de acumulator atunci când sunt fierbinți.
15. **Nu atingeți borna mașinii imediat după utilizare, întrucât se poate încălzi foarte tare și poate provoca arsuri.**
16. **Nu lăsați să pătrundă așchii, praf sau pământ în borne, în orificii și în canalurile cartușului acumulatorului.** Acest lucru poate provoca încălzirea, aprinderea, explozia și defectarea mașinii sau a cartușului acumulatorului, cauzând arsuri sau vătămări corporale.
17. **Nu utilizați cartușul acumulatorului în apropierea liniilor electrice de înaltă tensiune, cu excepția cazului în care mașina suportă utilizarea în apropierea liniilor electrice de înaltă tensiune.** Acest lucru poate duce la funcționarea necorespunzătoare sau la defectarea mașinii sau a cartușului acumulatorului.
18. **Țineți acumulatorul la distanță de copii.**

## PĂSTRAȚI ACESTE INSTRUCȚIUNI.

**ATENȚIE:** Folosiți numai acumulatori Makita originali. Acumulatorii Makita care nu sunt originali și acumulatorii care au suferit modificări se pot aprinde, provocând incendii, leziuni corporale și daune. De asemenea, anulează garanția oferită de Makita pentru unealta și încărcătorul Makita.

## Sfaturi pentru obținerea unei durate maxime de exploatare a acumulatorului

1. Încărcați cartușul acumulatorului înainte de a se descărca complet. Întrerupeți întotdeauna funcționarea mașinii și încărcați cartușul acumulatorului când observați o scădere a puterii mașinii.
2. Nu reîncărcați niciodată un acumulator complet încărcat. Supraîncărcarea va scurta durata de exploatare a acumulatorului.
3. Încărcați cartușul acumulatorului la temperatura camerei, între 10 °C - 40 °C (50 °F - 104 °F). Lăsați un acumulator fierbinte să se răcească înainte de a-l încărca.
4. Atunci când nu utilizați cartușul acumulatorului, scoateți-l din mașină sau din încărcător.
5. Încărcați cartușul acumulatorului în cazul în care nu a fost utilizat pe o perioadă mai lungă (mai mult de șase luni).

## DESCRIEREA FUNCȚIILOR

**ATENȚIE:** Asigurați-vă întotdeauna că mașina este oprită și cartușul acumulatorului este scos înainte de a ajusta sau verifica funcționarea mașinii.

### Instalarea sau scoaterea cartușului acumulatorului

**ATENȚIE:** Opriti întotdeauna mașina înainte de montarea sau demontarea cartușului de acumulator.

**ATENȚIE:** Țineți ferm mașina și cartușul acumulatorului la montarea sau demontarea cartușului. În cazul în care nu țineți ferm mașina și cartușul de acumulator, acestea vă pot aluneca din mâini, rezultând defectarea mașinii și cartușului de acumulator, precum și în accidentări personale.

**ATENȚIE:** Nu utilizați adaptorul acumulatorului cu ferăstrăul circular. Cablul adaptorului acumulatorului poate împiedica utilizarea, ducând la vătămări corporale.

► Fig.7: 1. Indicator roșu 2. Buton 3. Cartușul acumulatorului

Pentru a scoate cartușul acumulatorului, glisați-l din mașină în timp ce glisați butonul de pe partea frontală a cartușului.

Pentru a monta cartușul acumulatorului, aliniați limba de pe cartușul acumulatorului cu canelura din carcasă și introduceți-l în locaș. Introduceți-l complet, până când se înclichetează în locaș. Dacă vedeți indicatorul roșu, astfel cum se arată în imagine, acesta nu este blocat complet.

**ATENȚIE:** Instalați întotdeauna cartușul acumulatorului complet, până când indicatorul roșu nu mai este vizibil. În caz contrar, acesta poate cădea accidental din mașină provocând rănirea dumneavoastră sau a persoanelor din jur.

**ATENȚIE:** Nu forțați cartușul acumulatorului la montare. Dacă acesta nu glisează ușor, înseamnă că a fost introdus incorect.

### Sistem de protecție mașină/acumulator

Mașina este prevăzută cu un sistem de protecție mașină/acumulator. Sistemul întrerupe automat alimentarea motorului pentru a extinde durata de viață a mașinii și acumulatorului. Mașina se va opri automat în timpul funcționării dacă mașina sau acumulatorul se află într-una din situațiile următoare. În unele situații, indicatoarele luminează.

### Protecție la suprasarcină

Când mașina/acumulatorul este utilizată/utilizat într-un mod care duce la un consum de curent anormal de ridicat, mașina se va opri automat. În această situație, opriți mașina și întrerupeți aplicația care a dus la supra-solicitarea mașinii. Apoi, reporniți mașina.

### Protecție la supraîncălzire

Când mașina/acumulatorul se supraîncălzeste, mașina se oprește automat. În această situație, lăsați mașina să se răcească înainte de a o reporni.







### Protecție la supradescărcare

Când capacitatea acumulatorului scade, mașina se oprește automat. Dacă produsul nu funcționează deși întrerupătoarele sunt acționate, scoateți acumulatorii din mașină și încărcați-i.

### Indicarea capacității rămase a acumulatorului

Apăsăți butonul de verificare de pe cartușul acumulatorului, astfel încât să se indice capacitățile rămase ale acumulatorului. Lămpile indicatorului vor lumina timp de câteva secunde.

► Fig.8: 1. Lămpi indicatoare 2. Buton de verificare

Lămpi indicatoare			Capacitate rămasă
			
Iluminat	Oprit	Iluminare intermitentă	
			Între 75% și 100%
			Între 50% și 75%

Lămpi indicatoare			Capacitate rămasă
Iluminat	Oprit	Iluminare intermitentă	
			între 25% și 50%
			între 0% și 25%
			Încărcați acumulatorul.
			Este posibil ca acumulatorul să fie defect.

**NOTĂ:** În funcție de condițiile de utilizare și temperatura ambientală, indicația poate fi ușor diferită de capacitatea reală.

**NOTĂ:** Prima lampă indicatoare (extremitatea stângă) va lumina intermitent când sistemul de protecție a acumulatorului funcționează.

## Funcție de schimbare automată a turației

Această mașină are un „mod de turație ridicată” și un „mod de cuplu ridicat”.

Mașina schimbă automat modul de operare în funcție de sarcina de lucru. Atunci când sarcina de lucru este scăzută, mașina va funcționa în „modul de turație ridicată”, pentru o operație de tăiere mai rapidă. Atunci când sarcina de lucru este ridicată, mașina va funcționa în „modul de cuplu ridicat”, pentru o operație de tăiere puternică.

## Reglarea adâncimii de tăiere

**ATENȚIE:** După reglarea adâncimii de tăiere, strângeți întotdeauna ferm pârghia.

Slăbiți pârghia de la ghidajul de reglare a adâncimii și deplasați talpa în sus sau în jos. Fixați talpa la adâncimea de tăiere dorită prin strângerea pârghiei.

Pentru tăieturi mai curate și mai sigure, reglați adâncimea de tăiere astfel încât să nu iasă mai mulți dinți ai pânzei sub piesa de lucru. Utilizarea unei adâncimi de tăiere corecte ajută la reducerea potențialului de apariție a unui RECUL periculos, care poate provoca vătămări.

► Fig.9: 1. Pârghie

## Tăiere înclinată

**ATENȚIE:** După reglarea unghiului de înclinare, strângeți întotdeauna ferm pârghia.

Slăbiți pârghia și setați unghiul dorit prin înclinarea corespunzătoare a mașinii, apoi strângeți ferm pârghia.

► Fig.10: 1. Pârghie

## Opritor pozitiv

Opritorul pozitiv este util pentru setarea rapidă a unghiului indicat. Rotiți opritorul pozitiv astfel încât săgeata de pe acesta să fie orientată spre unghiul de înclinare dorit (aproximativ 22,5°/45°/53°). Slăbiți pârghia și apoi înclinați talpa mașinii până când se oprește. Poziția în care se oprește talpa mașinii este unghiul setat cu opritorul pozitiv. Strângeți pârghia cu talpa mașinii în această poziție.

► Fig.11: 1. Opritor pozitiv

## Reperare

Pentru tăieri drepte, aliniați poziția de 0° din partea frontală a tălpii cu linia dumneavoastră de tăiere. Pentru tăieri înclinate la 45°, aliniați poziția de 45°.

► Fig.12: 1. Linie de tăiere (poziție de 0°) 2. Linie de tăiere (poziție de 45°)

## Acționarea întrerupătorului

**AVERTIZARE:** Înainte de a introduce cartușul acumulatorului în mașină, verificați întotdeauna dacă butonul declanșator funcționează corect și revine în poziția „OFF” (oprit) când este eliberat.

**AVERTIZARE:** Nu dezactivați NICIODATĂ butonul de deblocare prin fixare cu bandă sau prin alte mijloace. Un comutator de deblocare anulat poate duce la operarea accidentală, cauzând potențiale leziuni grave.

**AVERTIZARE:** Nu utilizați NICIODATĂ mașina dacă aceasta pornește la simpla apăsare a butonului declanșator, fără a apăsa butonul de deblocare. Un comutator defect poate duce la operarea accidentală, cauzând leziuni grave. Returnați mașina la un centru de service Makita pentru efectuarea reparațiilor corespunzătoare ÎNAINTE de a continua utilizarea acesteia.

**ATENȚIE:** Mașina începe să frâneze rotația pânzei de ferăstrău circular imediat după ce eliberați butonul declanșator. Țineți mașina ferm pentru a controla reacția frânei atunci când eliberați butonul declanșator. Ca urmare a unei reacții bruște, mașina vă poate scăpa din mână, vătămându-vă.

Pentru a preveni acționarea accidentală a butonului declanșator, este prevăzută un buton de deblocare. Pentru a porni mașina, apăsați butonul de deblocare și trageți butonul declanșator. Eliberați butonul declanșator pentru a opri mașina.

► Fig.13: 1. Buton declanșator 2. Buton de deblocare

**NOTĂ:** Nu apăsați puternic butonul declanșator fără a apăsa butonul de deblocare. Comutatorul se poate rupe.

## Frână electrică

Această mașină este echipată cu o frână electrică pentru pânză. Dacă, de regulă, mașina nu oprește rapid pânza de ferăstrău circular după eliberarea pârghiei de comutare, solicitați repararea acesteia la un centru de

**⚠ATENȚIE:** Sistemul de frânare al pânzei nu înlocuiește apărătoarea pânzei. **NU UTILIZAȚI NICIODATĂ MAȘINA FĂRĂ O APĂRĂTOARE FUNCȚIONALĂ A PÂNZEI. VĂ PUTEȚI ACCIDENTA GRAV.**

## Funcție electronică

Mașinile echipate cu funcție electronică sunt ușor de utilizat datorită următoarei (următoarelor) caracteristici.

### Funcție de pornire lină

Pornire lină datorită suprimării șocului de pornire.

## ASAMBLARE

**⚠ATENȚIE:** Asigurați-vă întotdeauna că mașina este oprită și cartușul acumulatorului este scos înainte de a executa orice lucrări la mașină.

## Depozitarea cheii cotite

Atunci când nu este utilizată, depozitați cheia cotită astfel cum se arată în figură, pentru a nu se pierde.

► Fig.14: 1. Cheie cotită

## Montarea și demontarea pânzei de ferăstrău circular

**⚠ATENȚIE:** Asigurați-vă că pânza de ferăstrău circular este montată cu dinții îndreptați în sus în partea frontală a mașinii.

**⚠ATENȚIE:** Folosiți numai cheia cotită Makita la montarea sau demontarea pânzei de ferăstrău circular.

## Montarea pânzei de ferăstrău circular

**NOTĂ:** Este posibil ca pânza de ferăstrău circular să fi fost deja montată în momentul expedierii.

1. Apăsați complet pârghia de blocare a axului astfel încât axul de montare să nu se poată roti și folosiți cheia cotită pentru a slăbi șurubul cu cap hexagonal. Apoi îndepărtați șurubul cu cap hexagonal și flanșa exterioră.

► Fig.15: 1. Pârghie de blocare a axului 2. Cheie cotită 3. Deșurubare 4. Strângere

2. Montați flanșa interioară, inelul (în funcție de țară), pânza de ferăstrău circular, flanșa exterioră și șurubul cu cap hexagonal. În acest moment, aliniați direcția săgeții de pe pânză cu săgeata de pe mașină.

### Pentru mașină fără inel

► Fig.16: 1. Șurub cu cap hexagonal 2. Flanșă exterioră 3. Pânză de ferăstrău circular 4. Săgeată pe pânza de ferăstrău circular 5. Flanșă interioară 6. Săgeată pe mașină

### Pentru mașină cu inel

► Fig.17: 1. Șurub cu cap hexagonal 2. Flanșă

exterioră 3. Pânză de ferăstrău circular 4. Săgeată pe pânza de ferăstrău circular 5. Inel 6. Flanșă interioară 7. Săgeată pe mașină

3. Apăsați pârghia de blocare a axului și strângeți șurubul cu cap hexagonal.

## Pentru mașină cu flanșă interioară pentru o pânză de ferăstrău cu un orificiu diferit de orificiul cu diametru de 15,88 mm

Flanșa interioară are o proeminență cu un anumit diametru pe o parte și o proeminență cu un diametru diferit pe cealaltă parte. Alegeți partea corectă cu proeminența care se încadrează perfect în orificiul pânzei de ferăstrău circular. Montați flanșa interioară pe axul de montare, astfel încât partea corectă a proeminenței de pe flanșa interioară să fie orientată în exterior și apoi instalați pânza de ferăstrău circular și flanșa exterioră.

► Fig.18: 1. Ax de montare 2. Flanșă interioară 3. Pânză de ferăstrău circular 4. Flanșă exterioră 5. Șurub cu cap hexagonal

**⚠AVERTIZARE:** ASIGURAȚI-VĂ CĂ STRÂNGETI FERM ȘURUBUL CU CAP HEXAGONAL, ÎN SENS INVERS ACELOR DE CEASORNIC. Aveți grijă să nu forțați șurubul la strângere. Alunecarea mâinii pe cheia imbus poate provoca vătămarea personală.

**⚠AVERTIZARE:** Asigurați-vă că proeminența „a” de pe flanșa interioară, poziționată în exterior, se încadrează perfect în orificiul „a” al pânzei de ferăstrău. Montarea pânzei de ferăstrău circular pe partea incorectă poate provoca vibrații periculoase.

## Pentru mașină cu flanșă interioară pentru o pânză de ferăstrău cu orificiul cu diametru de 15,88 mm (în funcție de țară)

Montați flanșa interioară cu cavitatea orientată în exterior spre axul de montare, apoi instalați pânza de ferăstrău (cu inelul atașat, dacă este necesar), flanșa exterioră și șurubul cu cap hexagonal.

### Pentru mașină fără inel

► Fig.19: 1. Ax de montare 2. Flanșă interioară 3. Pânză de ferăstrău circular 4. Flanșă exterioră 5. Șurub cu cap hexagonal

### Pentru mașină cu inel

► Fig.20: 1. Ax de montare 2. Flanșă interioară 3. Pânză de ferăstrău circular 4. Flanșă exterioră 5. Șurub cu cap hexagonal 6. Inel

**⚠️ AVERTIZARE: ASIGURAȚI-VĂ CĂ STRĂNGEȚI FERM ȘURUBUL CU CAP HEXAGONAL, ÎN SENS INVERS ACELOR DE CEASORNIC. Aveți grijă să nu forțați șurubul la strângere. Alunecarea mâinii pe cheia imbus poate provoca vătămarea personală.**

**⚠️ AVERTIZARE: Dacă este nevoie de inel pentru a monta pânda de ferăstrău circular pe ax, asigurați-vă întotdeauna că între flanșa interioară și cea exterioară este instalat inelul corect pentru orificiul de arbore al pânzei pe care intenționați să o folosiți. Utilizarea unui inel de arbore incorect poate duce la montarea necorespunzătoare a pânzei de ferăstrău circular, ceea ce poate provoca mișcarea și vibrarea puternică a acesteia, posibila pierdere a controlului în timpul funcționării și accidentări grave.**

## Demontarea pânzei de ferăstrău circular

1. Apăsați complet pârghia de blocare a axului astfel încât axul de montare să nu se poată roti și folosiți cheia cotită pentru a slăbi șurubul cu cap hexagonal. Apoi, scoateți șurubul cu cap hexagonal, flanșa exterioară, pânda de ferăstrău circular și inelul (în funcție de țară).
2. Atunci când depozitați mașina, instalați flanșa exterioară și strângeți ușor șurubul hexagonal cu mâna pentru a preveni pierderea.

## Curățarea apărătoarei pânzei

La schimbarea pânzei de ferăstrău circular, aveți grijă să curățați și rumegușul acumulat pe apărătoarele superioară și inferioară ale pânzei, conform secțiunii Întreținerea. Această operație nu elimină necesitatea de a verifica funcționarea apărătoarei inferioare înainte de fiecare utilizare.

## Conectarea unui aspirator

### Acesoriu opțional

**NOTĂ:** Depozitați capacul de cauciuc pe partea din față a mașinii ca să nu îl pierdeți.

**NOTĂ:** Montați capacul de cauciuc pe duza de praf atunci când nu utilizați aspiratorul.

Scoateți capacul de cauciuc de pe duza de praf și conectați furtunul aspiratorului.

► **Fig.21:** 1. Capac de cauciuc

Dacă doriți să executați operații de tăiere curate, conectați la mașina dumneavoastră un aspirator Makita. Conectați un furtun al aspiratorului la duza de praf utilizând garniturile frontale 24.

► **Fig.22:** 1. Furtunul aspiratorului 2. Garnituri frontale 24 3. Duză de praf 4. Capac de cauciuc

## OPERAREA

Această mașină este destinată numai tăierii produselor din lemn.

Consultați site-ul nostru web sau contactați distribuitorul local Makita pentru pânzele de ferăstrău circular

adecvate materialului care va fi tăiat.

## Verificarea funcționării apărătoarei pânzei

Scoateți cartușul acumulatorului.

Setați unghiul de înclinație la 0° și apoi retrageți manual opritorul inferior până la capăt și eliberați-l. Opritorul inferior funcționează corespunzător dacă:

- este retras deasupra tălpii fără a fi împiedicat de obstacole și
  - revine automat și intră în contact cu opritorul.
- **Fig.23:** 1. Opritorul superior 2. Opritorul inferior 3. Talpă 4. Opritor 5. Deschis 6. Închis

Dacă opritorul inferior nu funcționează corespunzător, verificați dacă s-a acumulat rumeguș în interiorul opritoarelor superioare și inferioare. Dacă opritorul inferior nu funcționează corespunzător chiar dacă ați îndepărtat rumegușul, solicitați repararea mașinii la un centru de service Makita.

**⚠️ ATENȚIE: Purtați o mască de protecție contra prafului atunci când executați operația de debitare.**

**⚠️ ATENȚIE: Aveți grijă să deplasați mașina înainte lent, în linie dreaptă.** Forțarea sau răsucirea mașinii vor avea ca efect supraîncălzirea motorului și reculuri periculoase, prezentând risc de vătămare gravă.

**NOTĂ:** Când temperatura cartușului acumulatorului este redusă, mașina nu va lucra la capacitatea nominală. În acest caz, utilizați un timp mașina pentru a efectua tăieri ușoare până când cartușul acumulatorului ajunge la temperatura încăperii. Apoi, mașina poate fi utilizată la capacitatea nominală.

► **Fig.24**

Țineți bine mașina. Mașina este echipată cu un mâner frontal de prindere, precum și cu un mâner în partea din spate. Folosiți-le pe ambele pentru a apuca ferm mașina. Dacă țineți ferăstrăul cu ambele mâini, nu există riscul tăierii acestora cu pânda de ferăstrău circular. Așezați talpa pe piesa de prelucrat fără ca pânda de ferăstrău circular să intre în contact cu aceasta. Apoi porniți mașina și așteptați ca pânda de ferăstrău circular să atingă viteza maximă. Acum, deplasați mașina înainte pe suprafața piesei de prelucrat, păstrând-o orizontală și avansând ușor până când tăierea este finalizată. Pentru a obține tăieturi curate, mențineți o linie de tăiere dreaptă și o viteză de avans uniformă. Dacă nu reușiți să urmăriți corect linia de tăiere preconizată, nu încercați să rotiți sau să forțați mașina înapoi către linia de tăiere. Dacă faceți acest lucru, puteți să îndoiți pânda de ferăstrău circular, existând riscul unor reculuri periculoase și posibile vătămări grave. Eliberați butonul declanșator, așteptați ca pânda de ferăstrău circular să se oprească și apoi retrageți mașina. Realiniați mașina cu noua linie de tăiere și reîncepeți tăierea. Încercați să evitați pozițiile care expun operatorul la așchile și rumegușul aruncate de ferăstrău. Utilizați dispozitive de protecție a ochilor pentru a evita vătămarea.

## Cârlig

**⚠️ ATENȚIE:** Scoateți întotdeauna acumulatorul atunci când agățați mașina de agățătoare.

**⚠️ ATENȚIE:** Nu agățați niciodată mașina în locuri înalte sau pe suprafețele de unde mașina se poate dezechilibra și cădea. În caz contrar, se pot produce accidente prin cădere, care pot cauza vătămări corporale grave.

**⚠️ ATENȚIE:** Nu trageți de mașină în jos atunci când este agățată.

**⚠️ ATENȚIE:** Utilizați piesele de suspendare/montare numai în scopul prevăzut. Utilizarea acestora în alte scopuri ar putea conduce la accidente sau la vătămări corporale.

Cârligul este util pentru suspendarea temporară a mașinii. Pentru a folosi cârligul, ridicați pur și simplu cârligul până când se blochează în poziție deschisă.

Când nu îl folosiți, coborâți întotdeauna cârligul până când se blochează în poziție închisă.

► Fig.25: 1. Cârlig 2. Poziție deschisă 3. Poziție închisă

► Fig.26

## Ghidaj opritor (riglă de ghidare)

### Accesorii opționale

Rigla de ghidare practică vă permite să executați tăieturi drepte extrem de precise. Lipiți pur și simplu rigla de ghidare pe latura piesei de prelucrat și fixați-o în poziție cu șurubul de la partea din față a tălpii. Aceasta permite, de asemenea, executarea de tăieri repetate de lățime uniformă.

► Fig.27: 1. Ghidaj opritor (riglă de ghidare) 2. Șurub de strângere

## Conexiune curea (curea de prindere)

**⚠️ Avertismente de siguranță specifice utilizării la înălțime**

Citiți toate avertismentele de siguranță și toate instrucțiunile. Nerespectarea avertizărilor și instrucțiunilor poate conduce la vătămări grave.

1. Atașați întotdeauna unei o curea atunci când lucrați „la înălțime”. Lungimea maximă a curelei este de 2 m (6,5 ft). Înălțimea de cădere maximă admisă a curelei (curea de prindere) nu trebuie să depășească 2 m (6,5 ft).
2. Utilizați doar curele adecvate pentru acest tip de unealtă și aprobate pentru a susține o greutate de cel puțin 7,0 kg (15,4 lbs).
3. Nu ancorați curea unei unealte de corpul dvs. sau de componente mobile. Ancorați curea unei unealte de o structură rigidă care să poată susține forțele unei unealte aflate în cădere.
4. Asigurați-vă că ați fixat bine curea la fiecare capăt înainte de utilizare.
5. Inspectați unealta și curea înainte de fiecare utilizare pentru a identifica potențialele defecțiuni și dacă funcționarea este corectă (incluzând materialele textile și cusăturile). Nu

continuați dacă observați defecțiuni sau dacă nu funcționează corespunzător.

6. Nu înfășurați curelele în jurul dvs. și nu le permiteți să intre în contact cu muchii ascuțiți sau aspre.
  7. Prindeți fiecare capăt al curelei în afara zonei de lucru, pentru a putea fixa bine o unealtă în cădere.
  8. Atașați curea astfel încât unealta să se distanțeze de operator în cazul în care cade. Unelele căzute vor rămâne agățate de curea, ceea ce ar putea provoca vătămări sau pierderea echilibrului.
  9. Nu utilizați în apropierea pieselor în mișcare sau a utilajelor în funcțiune. În caz contrar, pot apărea accidente sau pericole.
  10. Nu țineți unealta de dispozitivul de atașare sau de curea.
  11. Mutați unealta dintr-o mână în alta doar dacă sunteți într-o poziție echilibrată.
  12. Nu atașați curelele de unealtă într-un mod care poate împiedica funcționarea corespunzătoare a apărătoarelor, a butoanelor sau pârghiilor de deblocare.
  13. Evitați încurcarea în curea.
  14. Țineți curea la distanță de zona de tăiere a unelei.
  15. Utilizați carabine acționate multiplu și cu șuruburi. Nu utilizați carabine cu o singură acționare și cu arc.
  16. În cazul în care unealta cade de la înălțime, trebuie etichetată și scoasă din funcțiune și trebuie inspectată de o fabrică Makita sau de un centru autorizat de service.
- Fig.28: 1. Orificiu pentru curea (curea de prindere)

## ÎNȚREȚINERE

**⚠️ ATENȚIE:** Asigurați-vă întotdeauna că mașina este oprită și cartușul acumulatorului scos înainte de a executa lucrările de inspecție și întreținere.

**⚠️ ATENȚIE:** Curățați apărătorii superioară și inferioară pentru a vă asigura că nu există rumeguș acumulat care ar putea afecta funcționarea sistemului de protecție inferior. Un sistem de protecție murdar poate limita funcționarea corectă, rezultând vătămări personale grave. Cea mai eficientă metodă de efectuare a acestei operații de curățare este cu aer comprimat. Dacă praful este suflat din spre apărători, asigurați-vă că folosiți o protecție corespunzătoare pentru ochi și respirație.

**⚠️ ATENȚIE:** După fiecare utilizare, ștergeți rumegușul de pe mașină. Particule fine de rumeguș pot pătrunde în mașină și pot provoca defecțiuni sau incendii.

**NOTĂ:** Nu utilizați niciodată gazolină, benzină, diluant, alcool sau alte substanțe asemănătoare. În caz contrar, pot rezulta decolorări, deformări sau fisuri.

Pentru a menține SIGURANȚA și FIABILITATEA produsului, reparațiile și orice alte lucrări de întreținere sau reglare trebuie executate de centre de service Makita autorizate sau proprii, folosind întotdeauna piese de schimb Makita.

## Reglarea preciziei de tăiere la 0°

Acest reglaj este efectuat din fabrică. Dacă însă are loc o deplasare, puteți regla paralelismul conform procedurii următoare.

1. Slăbiți ușor pârghia de la placa gradată pentru reglarea înclinației.
2. Așezați talpa perpendicular pe pânză cu ajutorul unui echer sau al unui vinclu, răsucind șurubul de reglare.  
► **Fig.29:** 1. Echer 2. Șurub de reglare
3. Strângeți pârghia și faceți o probă de tăiere pentru a verifica verticalitatea.

## ACCESORII OPȚIONALE

**⚠ATENȚIE:** Folosiți accesoriile sau piesele auxiliare recomandate pentru mașina dumneavoastră Makita în acest manual. Utilizarea oricăror alte accesorii sau piese auxiliare poate prezenta risc de vătămare corporală. Utilizați accesoriile și piesele auxiliare numai în scopul destinat.

Dacă aveți nevoie de asistență sau de mai multe detalii referitoare la aceste accesorii, adresați-vă centrului local de service Makita.

- Pânză de ferăstrău circular
- Cheie cotită
- Ghidaj opritor (riglă de ghidare)
- Garnituri frontale 24
- Acumulator și încărcător original Makita

**NOTĂ:** Unele articole din listă pot fi incluse ca accesorii standard în ambalajul de scule. Acestea pot diferi în funcție de țară.

## TECHNISCHE DATEN

<b>Modell:</b>		<b>RS001G</b>
Sägeblattdurchmesser		185 mm
Max. Schnitttiefe	bei 0°	65 mm
	bei 45° Neigungswinkel	45 mm
	bei 53° Neigungswinkel	38 mm
Leerlaufdrehzahl		6.400 min <sup>-1</sup>
Gesamtlänge		446 mm
Nennspannung		36 V - 40 V Gleichstrom
Nettogewicht		5,0 - 6,2 kg

- Wir behalten uns vor, Änderungen der technischen Daten im Zuge der Entwicklung und des technischen Fortschritts ohne vorherige Ankündigung vorzunehmen.
- Die technischen Daten können von Land zu Land unterschiedlich sein.
- Das Gewicht kann abhängig von dem Aufsatz (den Aufsätzen), einschließlich des Akkus, unterschiedlich sein. Die leichteste und die schwerste Kombination, gemäß dem EPTA-Verfahren 01/2014, sind in der Tabelle angegeben.

### Zutreffende Akkus und Ladegeräte

Akku	BL4020 / BL4025 / BL4040* / BL4040F* / BL4050F* / BL4080F* *: Empfohlener Akku
Ladegerät	DC40RA / DC40RB / DC40RC

- Einige der oben aufgelisteten Akkus und Ladegeräte sind je nach Ihrem Wohngebiet eventuell nicht erhältlich.

**⚠️ WARNUNG:** Verwenden Sie nur die oben aufgeführten Akkus und Ladegeräte. Bei Verwendung irgendwelcher anderer Akkus und Ladegeräte besteht Verletzungs- und/oder Brandgefahr.

### Vorgesehene Verwendung

Das Werkzeug ist für Geradschnitte in Längs- und Querrichtung sowie für schräge Gehrungsschnitte in Holz vorgesehen, wobei es in festem Kontakt mit dem Werkstück bleibt.

### Geräusch

Typischer A-bewerteter Geräuschpegel ermittelt gemäß EN62841-2-5:

Schalldruckpegel ( $L_{pA}$ ): 95 dB (A)

Schalleistungspegel ( $L_{WA}$ ): 103 dB (A)

Messunsicherheit (K): 3 dB (A)

**HINWEIS:** Der (Die) angegebene(n)

Schallemissionswert(e) wurde(n) im Einklang mit der Standardprüfmethode gemessen und kann (können) für den Vergleich zwischen Werkzeugen herangezogen werden.

**HINWEIS:** Der (Die) angegebene(n)

Schallemissionswert(e) kann (können) auch für eine Vorbewertung des Gefährdungsgrads verwendet werden.

**⚠️ WARNUNG:** Einen Gehörschutz tragen.

**⚠️ WARNUNG:** Die Schallemission während der tatsächlichen Benutzung des Elektrowerkzeugs kann je nach der Benutzungsweise des Werkzeugs, und speziell je nach der Art des bearbeiteten Werkstücks, von dem (den) angegebenen Wert(en) abweichen.

**⚠️ WARNUNG:** Identifizieren Sie Sicherheitsmaßnahmen zum Schutz des Benutzers anhand einer Schätzung des Gefährdungsgrads unter den tatsächlichen Benutzungsbedingungen (unter Berücksichtigung aller Phasen des Arbeitszyklus, wie z. B. Ausschalt- und Leerlaufzeiten des Werkzeugs zusätzlich zur Betriebszeit).

### Schwingungen

Schwingungsgesamtwert (Drei-Achsen-Vektorsumme) ermittelt gemäß EN62841-2-5:

Arbeitsmodus: Schneiden von Holz

Schwingungsemission ( $a_{h,w}$ ): 2,5 m/s<sup>2</sup> oder weniger

Messunsicherheit (K): 1,5 m/s<sup>2</sup>

**HINWEIS:** Der (Die) angegebene(n)

Vibrationsgesamtwert(e) wurde(n) im Einklang mit der Standardprüfmethode gemessen und kann (können) für den Vergleich zwischen Werkzeugen herangezogen werden.

**HINWEIS:** Der (Die) angegebene(n)

Vibrationsgesamtwert(e) kann (können) auch für eine Vorbewertung des Gefährdungsgrads verwendet werden.

**⚠️ WARNUNG:** Die Vibrationsemission während der tatsächlichen Benutzung des Elektrowerkzeugs kann je nach der Benutzungsweise des Werkzeugs, und speziell je nach der Art des bearbeiteten Werkstücks, von dem (den) angegebenen Emissionswert(en) abweichen.

**⚠️ WARNUNG:** Identifizieren Sie Sicherheitsmaßnahmen zum Schutz des Benutzers anhand einer Schätzung des Gefährdungsgrads unter den tatsächlichen Benutzungsbedingungen (unter Berücksichtigung aller Phasen des Arbeitszyklus, wie z. B. Ausschalt- und Leerlaufzeiten des Werkzeugs zusätzlich zur Betriebszeit).

## Konformitätserklärungen

### Nur für europäische Länder

Die Konformitätserklärungen sind in Anhang A dieser Betriebsanleitung enthalten.

# SICHERHEITSWARNUNGEN

## Allgemeine Sicherheitswarnungen für Elektrowerkzeuge

**⚠️ WARNUNG** Lesen Sie alle Sicherheitshinweise, Anweisungen, Abbildungen und Spezifikationen, die diesem Elektrowerkzeug beiliegen. Eine Missachtung der unten aufgeführten Anweisungen kann zu einem elektrischen Schlag, Brand und/oder schweren Verletzungen führen.

## Bewahren Sie alle Warnungen und Anweisungen für spätere Bezugnahme auf.

Der Ausdruck „Elektrowerkzeug“ in den Warnhinweisen bezieht sich auf Ihr mit Netzstrom (mit Kabel) oder Akku (ohne Kabel) betriebenes Elektrowerkzeug.

## Sicherheitswarnungen für Akku-Handkreissäge

### Schneidverfahren

1. **⚠️ GEFAHR:** Halten Sie Ihre Hände vom Schnittbereich und vom Sägeblatt fern. Halten Sie mit der zweiten Hand den Zusatzgriff oder

das Motorgehäuse. Wenn beide Hände die Säge halten, können sie nicht durch das Sägeblatt verletzt werden.

2. **Fassen Sie nicht unter das Werkstück.** Die Schutzhaube bietet keinen Schutz auf der Unterseite des Werkstücks.
3. **Stellen Sie die Schnitttiefe auf die Dicke des Werkstücks ein.** Das Sägeblatt darf nicht mehr als eine Zahnlänge auf der Unterseite des Werkstücks überstehen.
4. **Halten Sie das Werkstück beim Schneiden niemals in Ihren Händen oder auf den Beinen. Sichern Sie das Werkstück auf einer stabilen Plattform.** Es ist wichtig, das Werkstück sachgemäß abzustützen, um Körperaussetzung, Klemmen des Sägeblatts oder Verlust der Kontrolle auf ein Minimum zu reduzieren.

### ► Abb.1

5. **Halten Sie das Elektrowerkzeug an den isolierten Griffflächen, wenn Sie Arbeiten ausführen, bei denen die Gefahr besteht, dass das Schneidwerkzeug verborgene Kabel kontaktiert.** Bei Kontakt mit einem Strom führenden Kabel werden die freiliegenden Metallteile des Elektrowerkzeugs ebenfalls Strom führend, so dass der Benutzer einen elektrischen Schlag erleiden kann.
6. **Verwenden Sie beim Längsschlag oder ein Richtlineal.** Dadurch wird die Schnittgenauigkeit verbessert und die Gefahr von Sägeblatt-Klemmen reduziert.
7. **Verwenden Sie stets Sägeblätter, deren Spindelbohrung die korrekte Größe und Form (rautenförmig oder rund) hat.** Sägeblätter, die nicht genau auf den Montageflansch der Säge passen, rotieren exzentrisch und verursachen den Verlust der Kontrolle.
8. **Verwenden Sie niemals beschädigte oder falsche Sägeblattscheiben oder -schrauben.** Die Sägeblattscheiben und -schrauben sind speziell für Ihre Säge vorgesehen, um optimale Leistung und Betriebssicherheit zu gewährleisten.

### Rückschlagsursachen und damit zusammenhängende Warnungen

- Ein Rückschlag ist eine plötzliche Reaktion auf ein eingeklemmtes, blockiertes oder falsch ausgerichtetes Sägeblatt, der ein unkontrolliertes Anheben und Herausspringen der Säge aus dem Werkstück in Richtung der Bedienungsperson verursacht.
- Wenn das Sägeblatt durch den sich schließenden Sägeschlitz eingeklemmt oder blockiert wird, bleibt das Sägeblatt stehen, und die Motorreaktion drückt die Säge plötzlich in Richtung der Bedienungsperson zurück.
- Falls das Sägeblatt im Schnitt verdreht oder versetzt wird, können sich die Zähne an der Hinterkante des Sägeblatts in die Oberfläche des Holzstücks bohren, so dass sich das Sägeblatt aus dem Sägeschlitz heraushebt und in Richtung der Bedienungsperson zurückspringt.

Rückschlag ist das Resultat falscher Handhabung der Säge und/oder falscher Arbeitsverfahren oder -bedingungen und kann durch Anwendung der nachstehenden Vorsichtsmaßnahmen vermieden werden.

1. **Halten Sie die Säge mit beiden Händen fest,**

- und positionieren Sie Ihre Arme so, dass sie die Rückschlagkräfte auffangen. Stellen Sie sich so, dass sich Ihr Körper seitlich vom Sägeblatt befindet, nicht auf gleicher Linie mit dem Sägeblatt. Rückschlag kann Zurückspringen der Säge verursachen; doch wenn geeignete Vorkehrungen getroffen werden, können die Rückschlagkräfte von der Bedienungsperson unter Kontrolle gehalten werden.
2. Falls das Sägeblatt klemmt oder der Schnitt aus irgendeinem Grund unterbrochen wird, lassen Sie den Ein-Aus-Schalter los, und halten Sie die Säge bewegungslos im Werkstück, bis das Sägeblatt zum völligen Stillstand kommt. Versuchen Sie niemals, die Säge bei noch rotierendem Sägeblatt vom Werkstück abzunehmen oder zurückzuziehen, weil es sonst zu einem Rückschlag kommen kann. Nehmen Sie eine Überprüfung vor, und treffen Sie Abhilfemaßnahmen, um die Ursache von Sägeblatt-Klemmen zu beseitigen.
  3. Wenn Sie die Säge bei im Werkstück befindlichem Sägeblatt wieder einschalten, zentrieren Sie das Sägeblatt im Sägeschlitz, und vergewissern Sie sich, dass die Sägezähne nicht mit dem Werkstück im Eingriff sind. Falls ein Sägeblatt klemmt, kann es beim Wiedereinschalten der Säge aus dem Werkstück herausschnellen oder zurückspringen.
  4. Stützen Sie große Platten ab, um die Gefahr von Klemmen und Rückschlägen des Sägeblatts auf ein Minimum zu reduzieren. Große Platten neigen dazu, unter ihrem Eigengewicht durchzuhängen. Die Stützen müssen beidseitig der Schnittlinie und in der Nähe der Plattenkante unter der Platte platziert werden.

► Abb.2

► Abb.3

5. Verwenden Sie keine stumpfen oder beschädigten Sägeblätter. Unscharfe oder falsch angebrachte Sägeblätter erzeugen einen schmalen Sägeschlitz, der übermäßige Reibung, Sägeblatt-Klemmen und Rückschlag verursacht.
6. Die Sägeblatttiefen- und Neigungseinstellungs-Arretierhebel müssen fest angezogen und gesichert sein, bevor der Schnitt ausgeführt wird. Falls sich die Sägeblatteinstellung während des Sägens verstellt, kann es zu Klemmen und Rückschlag kommen.
7. Lassen Sie beim Sägen in vorhandene Wände oder andere tote Winkel besondere Vorsicht walten. Das vorstehende Sägeblatt kann Objekte durchschneiden, die Rückschlag verursachen können.
8. Halten Sie das Werkzeug IMMER mit beiden Händen fest. Halten Sie NIEMALS Ihre Hand, Ihr Bein oder irgendeinen Körperteil unter die Werkzeugbasis oder hinter die Säge, insbesondere bei der Ausführung von Querschnitten. Falls Rückschlag auftritt, besteht die Gefahr, dass die Säge über Ihre Hand zurückspringt und schwere Personenschäden verursacht.

► Abb.4

9. Wenden Sie keine Gewalt auf die Säge an. Schieben Sie die Säge mit einer Geschwindigkeit vor, dass das Sägeblatt nicht abgebremst wird. Gewaltanwendung kann ungleichmäßige Schnitte, Verlust der Genauigkeit und möglichen Rückschlag verursachen.

#### Funktion der Schutzhaube

1. Überprüfen Sie die untere Schutzhaube vor jeder Benutzung auf einwandfreies Schließen. Betreiben Sie die Säge nicht, falls sich die untere Schutzhaube nicht ungehindert bewegt und sofort schließt. Die untere Schutzhaube darf auf keinen Fall in der geöffneten Stellung festgeklemmt oder festgebunden werden. Wird die Säge versehentlich fallen gelassen, kann die untere Schutzhaube verbogen werden. Heben Sie die untere Schutzhaube mit dem Rückzuggriff an, und vergewissern Sie sich, dass sie sich ungehindert bewegt und bei allen Winkel- und Schnitttiefen-Einstellungen nicht mit dem Sägeblatt oder irgendeinem anderen Teil in Berührung kommt.
2. Überprüfen Sie die Funktion der Feder der unteren Schutzhaube. Falls Schutzhaube und Feder nicht einwandfrei funktionieren, müssen die Teile vor der Benutzung gewartet werden. Falls beschädigte Teile, klebrige Ablagerungen oder Schmutzansammlung vorhanden sind, kann die untere Schutzhaube schwergängig werden.
3. Die untere Schutzhaube sollte nur für spezielle Schnitte, wie „Tauschnitte“ und „Doppelwinkelschnitte“, manuell zurückgezogen werden. Heben Sie die untere Schutzhaube mit dem Rückzuggriff an, und sobald das Sägeblatt in das Werkstück eindringt, muss die untere Schutzhaube losgelassen werden. Für alle anderen Sägearbeiten sollte die untere Schutzhaube automatisch betätigt werden.
4. Vergewissern Sie sich stets, dass die untere Schutzhaube das Sägeblatt verdeckt, bevor Sie die Säge auf der Werkbank oder dem Boden ablegen. Ein ungeschützt auslaufendes Sägeblatt bewirkt Rückwärtskriechen der Säge und schneidet alles, was sich in seinem Weg befindet. Berücksichtigen Sie die Auslaufzeit des Sägeblatts bis zum Stillstand nach dem Loslassen des Schalters.
5. Öffnen Sie die untere Schutzhaube probeweise von Hand, und achten Sie beim Loslassen darauf, dass sie sich einwandfrei schließt. Vergewissern Sie sich auch, dass der Rückzuggriff nicht mit dem Werkzeuggehäuse in Berührung kommt. Die Bloßstellung des Sägeblatts ist SEHR GEFÄHRLICH und kann zu schweren Verletzungen führen.

#### Zusätzliche Sicherheitswarnungen

1. Lassen Sie beim Schneiden von feuchtem Holz, druckbehandeltem Bauholz oder Astholz besondere Vorsicht walten. Behalten Sie einen gleichmäßigen Vorschub des Werkzeugs bei, ohne dass sich die Sägeblattzahl verringert, um Überhitzen der Sägeblattzähne zu vermeiden.
2. Versuchen Sie nicht, abgeschnittenes Material bei rotierendem Sägeblatt zu entfernen.

Warten Sie, bis das Sägeblatt zum Stillstand kommt, bevor Sie abgeschnittenes Material wegnehmen. Das Sägeblatt läuft nach dem Ausschalten noch nach.

3. Vermeiden Sie das Schneiden von Nägeln. Überprüfen Sie Bauholz vor dem Schneiden auf Nägel, und entfernen Sie etwaige Nägel.
4. Setzen Sie den breiteren Teil der Grundplatte auf den fest abgestützten Teil des Werkstücks, nicht auf den Teil, der nach dem Schnitt herunterfällt. Kurze oder kleine Werkstücke müssen eingespannt werden. **VERSUCHEN SIE NICHT, KURZE WERKSTÜCKE MIT DER HAND ZU HALTEN!**

► **Abb.5**

5. Bevor Sie das Werkzeug nach Ausführung eines Schnitts absetzen, vergewissern Sie sich, dass sich die Schutzhaube geschlossen hat und das Sägeblatt zu vollständigem Stillstand gekommen ist.
6. Versuchen Sie niemals, die Kreissäge zum Sägen verkehrt herum in einen Schraubstock einzuspannen. Dies ist sehr gefährlich und kann zu schweren Unfällen führen.

► **Abb.6**

7. Manche Materialien können giftige Chemikalien enthalten. Treffen Sie Vorsichtsmaßnahmen, um das Einatmen von Arbeitsstaub und Hautkontakt zu verhindern. Befolgen Sie die Sicherheitsdaten des Materiallieferanten.
8. Bremsen Sie die Säge nicht durch seitlichen Druck auf das Sägeblatt ab.
9. Verwenden Sie keine Schleifscheiben.
10. Verwenden Sie nur Sägeblätter mit einem Durchmesser, der am Werkzeug markiert oder im Handbuch angegeben ist. Die Verwendung eines Sägeblatts mit falscher Größe kann den einwandfreien Schutz des Sägeblatts oder den Schutzbetrieb beeinträchtigen, was ernsthaften Personenschaden zur Folge haben kann.
11. Halten Sie das Sägeblatt scharf und sauber. An den Sägeblättern haftendes und verhärtetes Gummi und Harz verlangsamen die Säge und erhöhen die Rückschlaggefahr. Halten Sie das Sägeblatt sauber, indem Sie es vom Werkzeug abmontieren und dann mit Gummi- und Harzentferner, heißem Wasser oder Petroleum reinigen. Verwenden Sie niemals Benzin.
12. Tragen Sie bei der Benutzung des Werkzeugs eine Staubmaske und einen Gehörschutz.
13. Verwenden Sie immer das zum Schneiden des jeweiligen Arbeitsmaterials vorgesehene Sägeblatt.
14. Verwenden Sie nur Sägeblätter, die mit einer Drehzahl markiert sind, die der am Werkzeug angegebenen Drehzahl entspricht oder diese übertrifft.
15. (Nur für europäische Länder)  
Verwenden Sie immer ein Sägeblatt, das der Norm EN847-1 entspricht, wenn es für Holz und ähnliche Materialien bestimmt ist.
16. Legen Sie das Werkzeug und die Teile auf einer ebenen und stabilen Oberfläche ab.

Anderenfalls können das Werkzeug oder die Teile herunterfallen und eine Verletzung verursachen.

## BEWAHREN SIE DIESE ANLEITUNG AUF.

**⚠️ WARNUNG:** Lassen Sie sich NICHT durch Bequemlichkeit oder Vertrautheit mit dem Produkt (durch wiederholten Gebrauch erworben) von der strikten Einhaltung der Sicherheitsregeln für das vorliegende Produkt abhalten. **MISSBRAUCH** oder Missachtung der Sicherheitsvorschriften in dieser Anleitung können schwere Personenschäden verursachen.

## Wichtige Sicherheitsanweisungen für Akku

1. Lesen Sie vor der Benutzung des Akkus alle Anweisungen und Warnhinweise, die an (1) Ladegerät, (2) Akku und (3) Akkuwerkzeug angebracht sind.
2. Unterlassen Sie Zerlegen oder Manipulieren des Akkus. Es kann sonst zu einem Brand, übermäßiger Hitzeentwicklung oder einer Explosion kommen.
3. Falls die Betriebszeit beträchtlich kürzer geworden ist, stellen Sie den Betrieb sofort ein. Anderenfalls besteht die Gefahr von Überhitzung, möglichen Verbrennungen und sogar einer Explosion.
4. Falls Elektrolyt in Ihre Augen gelangt, waschen Sie sie mit sauberem Wasser aus, und begeben Sie sich unverzüglich in ärztliche Behandlung. Anderenfalls können Sie Ihre Sehkraft verlieren.
5. Der Akku darf nicht kurzgeschlossen werden:
  - (1) Die Kontakte dürfen nicht mit leitfähigem Material berührt werden.
  - (2) Lagern Sie den Akku nicht in einem Behälter zusammen mit anderen Metallgegenständen, wie z. B. Nägel, Münzen usw.
  - (3) Setzen Sie den Akku weder Wasser noch Regen aus.Ein Kurzschluss des Akkus verursacht starken Stromfluss, der Überhitzung, mögliche Verbrennungen und einen Defekt zur Folge haben kann.
6. Lagern und benutzen Sie das Werkzeug und den Akku nicht an Orten, an denen die Temperatur 50 °C erreichen oder überschreiten kann.
7. Versuchen Sie niemals, den Akku zu verbrennen, selbst wenn er stark beschädigt oder vollkommen verbraucht ist. Der Akku kann im Feuer explodieren.
8. Unterlassen Sie Nageln, Schneiden, Zerquetschen, Werfen, Fallenlassen des Akkus oder Schlagen des Akkus mit einem harten Gegenstand. Eine solche Handlung kann zu einem Brand, übermäßiger Hitzeentwicklung oder einer Explosion führen.
9. Benutzen Sie keine beschädigten Akkus.
10. Die enthaltenen Lithium-Ionen-Akkus

### unterliegen den Anforderungen der Gefahrgut-Gesetzgebung.

Für kommerzielle Transporte, z. B. durch Dritte oder Spediteure, müssen besondere Anforderungen zu Verpackung und Etikettierung beachtet werden.

Zur Vorbereitung des zu transportierenden Artikels ist eine Beratung durch einen Experten für Gefahrgut erforderlich. Bitte beachten Sie möglicherweise ausführlichere nationale Vorschriften. Überkleben oder verdecken Sie offene Kontakte, und verpacken Sie den Akku so, dass er sich in der Verpackung nicht umher bewegen kann.

11. **Entfernen Sie den Akku zum Entsorgen vom Werkzeug, und entsorgen Sie ihn an einem sicheren Ort. Befolgen Sie die örtlichen Vorschriften bezüglich der Entsorgung von Akkus.**
12. **Verwenden Sie die Akkus nur mit den von Makita angegebenen Produkten.** Das Einsetzen der Akkus in nicht konforme Produkte kann zu einem Brand, übermäßiger Hitzebildung, einer Explosion oder Auslaufen von Elektrolyt führen.
13. **Soll das Werkzeug längere Zeit nicht benutzt werden, muss der Akku vom Werkzeug entfernt werden.**
14. **Bei und nach dem Gebrauch kann der Akku heiß werden, was Verbrennungen oder Niedertemperaturverbrennungen verursachen kann. Beachten Sie die Handhabung von heißen Akkus.**
15. **Berühren Sie nicht den Anschlusskontakt des Werkzeugs unmittelbar nach dem Gebrauch, da er heiß genug werden kann, um Verbrennungen zu verursachen.**
16. **Achten Sie darauf, dass sich keine Späne, Staub oder Schmutz in den Anschlusskontakten, Löchern und Nuten des Akkus absetzen.** Es könnte sonst zu Erhitzung, Brandauslösung, Bersten und Funktionsstörungen des Werkzeugs oder des Akkus kommen, was zu Verbrennungen oder Personenschäden führen kann.
17. **Wenn das Werkzeug den Einsatz in der Nähe einer Hochspannungs-Stromleitung nicht unterstützt, benutzen Sie den Akku nicht in der Nähe einer Hochspannungs-Stromleitung.** Dies kann zu einer Funktionsstörung oder Betriebsstörung des Werkzeugs oder des Akkus führen.
18. **Halten Sie die Batterie von Kindern fern.**

## DIESE ANWEISUNGEN AUFBEWAHREN.

**⚠ VORSICHT:** Verwenden Sie nur Original-Makita-Akkus. Die Verwendung von Nicht-Original-Makita-Akkus oder von Akkus, die abgeändert worden sind, kann zum Bersten des Akkus und daraus resultierenden Bränden, Personenschäden und Beschädigung führen. Außerdem wird dadurch die Makita-Garantie für das Makita-Werkzeug und -Ladegerät ungültig.

## Hinweise zur Aufrechterhaltung der maximalen

### Akku-Nutzungsdauer

1. **Laden Sie den Akku, bevor er vollkommen erschöpft ist. Schalten Sie das Werkzeug stets aus, und laden Sie den Akku, wenn Sie ein Nachlassen der Werkzeugleistung feststellen.**
2. **Unterlassen Sie erneutes Laden eines voll aufgeladenen Akkus. Überladen führt zu einer Verkürzung der Nutzungsdauer des Akkus.**
3. **Laden Sie den Akku bei Raumtemperatur zwischen 10 – 40 °C. Lassen Sie einen heißen Akku abkühlen, bevor Sie ihn laden.**
4. **Wenn Sie den Akku nicht benutzen, nehmen Sie ihn vom Werkzeug oder Ladegerät ab.**
5. **Der Akku muss geladen werden, wenn er lange Zeit (länger als sechs Monate) nicht benutzt wird.**

## FUNKTIONSBE-SCHREIBUNG

**⚠ VORSICHT:** Vergewissern Sie sich vor der Durchführung von Einstellungen oder Funktionsprüfungen des Werkzeugs stets, dass das Werkzeug ausgeschaltet und der Akku abgenommen ist.

## Anbringen und Abnehmen des Akkus

**⚠ VORSICHT:** Schalten Sie das Werkzeug stets aus, bevor Sie den Akku anbringen oder abnehmen.

**⚠ VORSICHT:** Halten Sie das Werkzeug und den Akku beim Anbringen oder Abnehmen des Akkus sicher fest. Wenn Sie das Werkzeug und den Akku nicht sicher festhalten, können sie Ihnen aus der Hand rutschen, was zu einer Beschädigung des Werkzeugs und des Akkus und zu Körperverletzungen führen kann.

**⚠ VORSICHT:** Verwenden Sie nicht den Akku-Adapter mit der Kreissäge. Anderenfalls kann das Kabel des Akku-Adapters den Betrieb behindern und Personenschäden verursachen.

► **Abb.7:** 1. Rote Anzeige 2. Knopf 3. Akku

Ziehen Sie den Akku zum Abnehmen vom Werkzeug ab, während Sie den Knopf an der Vorderseite des Akkus verschieben.

Richten Sie zum Anbringen des Akkus dessen Führungsfeder auf die Nut im Gehäuse aus, und schieben Sie den Akku hinein. Schieben Sie ihn vollständig ein, bis er mit einem leisen Klicken einrastet. Wenn Sie die rote Anzeige sehen können, wie in der Abbildung gezeigt, ist der Akku nicht vollständig verriegelt.

**⚠ VORSICHT:** Schieben Sie den Akku stets bis zum Anschlag ein, bis die rote Anzeige nicht mehr sichtbar ist. Andernfalls kann er aus dem Werkzeug herausfallen und Sie oder umstehende Personen verletzen.

**⚠ VORSICHT:** Unterlassen Sie Gewaltanwendung beim Anbringen des Akkus. Falls der Akku nicht reibungslos hineingeleitet, ist er nicht richtig ausgerichtet.

## Werkzeug/Akku-Schutzsystem

Das Werkzeug ist mit einem Werkzeug/Akku-Schutzsystem ausgestattet. Dieses System schaltet die Stromversorgung des Motors automatisch ab, um die Lebensdauer von Werkzeug und Akku zu verlängern. Das Werkzeug bleibt während des Betriebs automatisch stehen, wenn das Werkzeug oder der Akku einer der folgenden Bedingungen unterliegt. Bei manchen Bedingungen leuchten die Anzeigen auf.

### Überlastschutz

Wird das Werkzeug/der Akku auf eine Weise benutzt, die eine ungewöhnlich hohe Stromaufnahme bewirkt, bleibt das Werkzeug automatisch stehen. Schalten Sie in dieser Situation das Werkzeug aus, und brechen Sie die Arbeit ab, die eine Überlastung des Werkzeugs verursacht hat. Schalten Sie dann das Werkzeug wieder ein, um es neu zu starten.

### Überhitzungsschutz

Wenn das Werkzeug/der Akku überhitzt wird, bleibt das Werkzeug automatisch stehen. Lassen Sie das Werkzeug in dieser Situation abkühlen, bevor Sie es wieder einschalten.











### Überentladungsschutz







Wenn die Akkukapazität niedrig wird, schaltet sich das Werkzeug automatisch aus. Falls das Produkt trotz Betätigung der Schalter nicht funktioniert, entfernen Sie die Akkus vom Werkzeug, und laden Sie sie auf.

## Anzeigen der Akku-Restkapazität

Drücken Sie die Prüftaste am Akku, um die Akku-Restkapazität anzuzeigen. Die Anzeigelampen leuchten wenige Sekunden lang auf.

► **Abb.8:** 1. Anzeigelampen 2. Prüftaste

Anzeigelampen			Restkapazität
 Erleuchtet	 Aus	 Blinkend	
			75% bis 100%
			50% bis 75%
			25% bis 50%
			0% bis 25%

Anzeigelampen			Restkapazität
 Erleuchtet	 Aus	 Blinkend	
			Den Akku aufladen.
			Möglicherweise liegt eine Funktionsstörung im Akku vor.

**HINWEIS:** Abhängig von den Benutzungsbedingungen und der Umgebungstemperatur kann die Anzeige geringfügig von der tatsächlichen Kapazität abweichen.

**HINWEIS:** Die erste (äußerste linke) Anzeigelampe blinkt, wenn das Akku-Schutzsystem aktiv ist.

## Automatische Drehzahlwechselfunktion

Dieses Werkzeug verfügt über einen „Hochdrehzahl-Modus“ und einen „Hochdrehmoment-Modus“. Das Werkzeug wechselt die Betriebsart automatisch abhängig von der Arbeitslast. Bei geringer Arbeitslast läuft das Werkzeug im „Hochdrehzahl-Modus“ für schnelleren Schneidbetrieb. Bei hoher Arbeitslast läuft das Werkzeug im „Hochdrehmoment-Modus“ für leistungsstarken Schneidbetrieb.

## Einstellen der Schnitttiefe

**⚠ VORSICHT:** Ziehen Sie den Hebel nach der Einstellung der Schnitttiefe stets fest an.

Lösen Sie den Hebel an der Tiefenführung, und ziehen Sie die Grundplatte nach oben oder unten. Arretieren Sie die Grundplatte an der gewünschten Schnitttiefe durch Festziehen des Hebels.

Um sauberere, sicherere Schnitte auszuführen, stellen Sie die Schnitttiefe so ein, dass nicht mehr als ein Sägeblattzahn unter das Werkstück übersteht. Die Einstellung der korrekten Schnitttiefe trägt zu einer Reduzierung gefährlicher RÜCKSCHLÄGE bei, die Personenschäden verursachen können.

► **Abb.9:** 1. Hebel

## Neigungsschnitt

**⚠ VORSICHT:** Ziehen Sie den Hebel nach der Einstellung des Neigungswinkels stets fest an.

Lösen Sie den Hebel, und stellen Sie den gewünschten Winkel durch entsprechendes Neigen ein; ziehen Sie dann den Hebel fest.

► **Abb.10:** 1. Hebel

## Zwangsanschlag

Der Zwangsanschlag ist praktisch, um den festgelegten Winkel schnell einzustellen. Drehen Sie den Zwangsanschlag so, dass der aufgedruckte Pfeil auf Ihren gewünschten Neigungswinkel zeigt (ca. 22,5°/45°/53°). Lösen Sie den Hebel, und neigen Sie

die Grundplatte, bis sie stoppt. Die Position, an der die Grundplatte stoppt, ist der Winkel, den Sie mit dem Zwangsanschlag eingestellt haben. Ziehen Sie den Hebel fest, während sich die Grundplatte in dieser Position befindet.

► **Abb.11:** 1. Zwangsanschlag

## Schnittmarkierung

Richten Sie für Geradschnitte die 0°-Position auf der Vorderseite der Grundplatte auf die Schnittlinie aus. Richten Sie für 45°-Neigungsschnitte die 45°-Position auf die Linie aus.

► **Abb.12:** 1. Schnittlinie (0°-Position) 2. Schnittlinie (45°-Position)

## Schalterfunktion

**⚠️ WARNUNG:** Vergewissern Sie sich vor dem Einsetzen des Akkus in das Werkzeug stets, dass der Ein-Aus-Schalter ordnungsgemäß funktioniert und beim Loslassen in die AUS-Stellung zurückkehrt.

**⚠️ WARNUNG:** Versuchen Sie NIEMALS, den Einschaltsperrknopf mit Klebeband oder anderen Mitteln unwirksam zu machen. Ein Schalter mit unwirksamen Einschaltsperrknopf kann zu ungewolltem Betrieb und daraus resultierenden schweren Personenschäden führen.

**⚠️ WARNUNG:** Betreiben Sie das Werkzeug NIEMALS, wenn es durch einfache Betätigung des Ein-Aus-Schalters eingeschaltet werden kann, ohne den Einschaltsperrknopf zu drücken. Ein reparaturbedürftiger Schalter kann zu ungewolltem Betrieb und daraus resultierenden schweren Personenschäden führen. Lassen Sie das Werkzeug von einer Makita-Kundendienststelle ordnungsgemäß reparieren, BEVOR Sie es weiter benutzen.

**⚠️ VORSICHT:** Das Werkzeug beginnt unmittelbar nach dem Loslassen des Auslöseschalters mit dem Abbremsen der Kreissägeblattdrehung. Halten Sie das Werkzeug gut fest, um der Bremsreaktion beim Loslassen des Auslöseschalters entgegenzuwirken. Eine plötzliche Reaktion kann das Werkzeug aus Ihrer Hand reißen und einen Personenschaden verursachen.

Um versehentliche Betätigung des Ein-Aus-Schalters zu verhüten, ist das Werkzeug mit einem Einschaltsperrknopf ausgestattet. Zum Starten des Werkzeugs den Ein-Aus-Schalter bei gedrücktem Einschaltsperrknopf betätigen. Zum Ausschalten den Ein-Aus-Schalter loslassen.

► **Abb.13:** 1. Auslöseschalter 2. Einschaltsperrknopf

**ANMERKUNG:** Betätigen Sie den Ein-Aus-Schalter nicht gewaltsam, ohne den Einschaltsperrknopf hineinzudrücken. Dies kann zu Beschädigung des Schalters führen.

## Elektrische Bremse

Dieses Werkzeug ist mit einer elektrischen Sägeblattbremse ausgestattet. Falls das Werkzeug das

Kreissägeblatt nach dem Loslassen des Schalthebels nicht sofort anhält, lassen Sie es von einer Makita-Kundendienststelle warten.

**⚠️ VORSICHT:** Das Sägeblatt-Bremssystem ist kein Ersatz für die Sägeblattschutzhaube. VERWENDEN SIE DAS WERKZEUG NIEMALS OHNE FUNKTIONIERENDE SÄGEBLATTSCHUTZHAUBE. ES KANN SONST ZU SCHWEREN PERSONENSCHÄDEN KOMMEN.

## Elektronikfunktion

Die mit Elektronikfunktionen ausgestatteten Werkzeuge weisen das (die) folgende(n) Merkmal(e) zur Bedienungserleichterung auf.

### Sanftanlauf-Funktion

Diese Funktion gewährleistet ruckfreies Anlaufen durch Anlaufstoßunterdrückung.

## MONTAGE

**⚠️ VORSICHT:** Vergewissern Sie sich vor der Ausführung von Arbeiten am Werkzeug stets, dass das Werkzeug ausgeschaltet und der Akku abgenommen ist.

## Aufbewahrung des gekröpften Schraubenschlüssels

Bewahren Sie den gekröpften Schraubenschlüssel bei Nichtgebrauch an der in der Abbildung gezeigten Stelle auf, damit er nicht verloren geht.

► **Abb.14:** 1. Gekröpfter Schraubenschlüssel

## Montieren und Demontieren des Kreissägeblatts

**⚠️ VORSICHT:** Vergewissern Sie sich, dass das Kreissägeblatt so montiert ist, dass die Zähne auf der Vorderseite des Werkzeugs nach oben zeigen.

**⚠️ VORSICHT:** Verwenden Sie nur den gekröpften Schraubenschlüssel von Makita zum Montieren und Demontieren des Kreissägeblatts.

## Montieren des Kreissägeblatts

**HINWEIS:** Möglicherweise ist das Kreissägeblatt zum Zeitpunkt der Lieferung bereits montiert.

1. Drücken Sie die Spindelarreterierung vollständig hinein, damit sich die Montageachse nicht drehen kann, und lösen Sie die Sechskantschraube mit dem gekröpften Schraubenschlüssel. Entfernen Sie dann die Sechskantschraube und den Außenflansch.

► **Abb.15:** 1. Spindelarreterierung 2. Gekröpfter Schraubenschlüssel 3. Lösen 4. Anziehen

2. Montieren Sie den Innenflansch, den Ring (länder-spezifisch), das Kreissägeblatt, den Außenflansch und die Innensechskantschraube. Richten Sie dabei den Pfeil auf dem Sägeblatt auf den Pfeil am Werkzeug aus.

### Für Werkzeug ohne den Ring

- **Abb.16:** 1. Innensechskantschraube  
2. Außenflansch 3. Kreissägeblatt 4. Pfeil auf dem Kreissägeblatt 5. Innenflansch  
6. Pfeil auf dem Werkzeug

### Für Werkzeug mit dem Ring

- **Abb.17:** 1. Innensechskantschraube  
2. Außenflansch 3. Kreissägeblatt  
4. Pfeil auf dem Kreissägeblatt 5. Ring  
6. Innenflansch 7. Pfeil auf dem Werkzeug

3. Drücken Sie die Spindelarreterierung, und ziehen Sie die Innensechskantschraube fest.

## Für Werkzeug mit Innenflansch für anderen Sägeblatt-Bohrungsdurchmesser als 15,88 mm

Der Innenflansch besitzt auf einer Seite einen Vorsprung mit einem bestimmten Durchmesser und auf der anderen Seite einen Vorsprung mit unterschiedlichem Durchmesser. Wählen Sie die korrekte Seite, deren Vorsprung genau in die Kreissägeblattbohrung passt. Montieren Sie den Innenflansch an der Montageachse, so dass die korrekte Seite des Vorsprungs am Innenflansch außen liegt, und bringen Sie dann das Kreissägeblatt und den Außenflansch an.

- **Abb.18:** 1. Montageachse 2. Innenflansch  
3. Kreissägeblatt 4. Außenflansch  
5. Innensechskantschraube

**⚠️ WARNUNG: DIE INNENSECHSKANTSCHRAUBE ENTGEGEN DEM UHRZEIGERSINN FESTZIEHEN. Achten Sie auch darauf, die Schraube nicht gewaltsam anzuziehen. Abrutschen Ihrer Hand vom Inbusschlüssel kann einen Personenschaden verursachen.**

**⚠️ WARNUNG: Vergewissern Sie sich, dass der außen liegende Vorsprung „a“ am Innenflansch genau in die Sägeblattbohrung „a“ passt. Die Montage des Kreissägeblatts auf der falschen Seite kann zu gefährlichen Vibrationen führen.**

## Für Werkzeug mit Innenflansch für Sägeblatt-Bohrungsdurchmesser von 15,88 mm (länderspezifisch)

Montieren Sie den Innenflansch mit der Vertiefung nach außen auf die Montageachse, und bringen Sie dann Sägeblatt (Ring bei Bedarf angebracht), Außenflansch und Innensechskantschraube an.

### Für Werkzeug ohne den Ring

- **Abb.19:** 1. Montageachse 2. Innenflansch  
3. Kreissägeblatt 4. Außenflansch  
5. Innensechskantschraube

### Für Werkzeug mit dem Ring

- **Abb.20:** 1. Montageachse 2. Innenflansch  
3. Kreissägeblatt 4. Außenflansch  
5. Innensechskantschraube 6. Ring

**⚠️ WARNUNG: DIE INNENSECHSKANTSCHRAUBE ENTGEGEN DEM UHRZEIGERSINN FESTZIEHEN. Achten Sie auch darauf, die Schraube nicht gewaltsam anzuziehen. Abrutschen Ihrer Hand vom Inbusschlüssel kann einen Personenschaden verursachen.**

**⚠️ WARNUNG: Falls der Ring benötigt wird, um das Kreissägeblatt an der Spindel zu montieren, sollten Sie sich stets vergewissern, dass der korrekte Ring für die Spindelbohrung des zu benutzenden Kreissägeblatts zwischen Innen- und Außenflansch installiert ist. Die Verwendung eines falschen Spindelbohrungsringes kann zu unzulässiger Montage des Kreissägeblatts führen, so dass es zu Sägeblattbewegung und starker Vibration kommt, die möglichen Verlust der Kontrolle während des Betriebs und schwere Personenschäden zur Folge haben kann.**

## Demontieren des Kreissägeblatts

1. Drücken Sie die Spindelarreterierung vollständig hinein, damit sich die Montageachse nicht drehen kann, und lösen Sie die Sechskantschraube mit dem gekröpften Schraubenschlüssel. Entfernen Sie dann Sechskantschraube, Außenflansch, Kreissägeblatt und Ring (länderspezifisch).
2. Wenn Sie das Werkzeug aufbewahren, montieren Sie den Außenflansch, und ziehen Sie die Innensechskantschraube geringfügig mit der Hand an, um einen Verlust zu vermeiden.

## Reinigung der Sägeblattschutzhäube

Wenn Sie das Kreissägeblatt auswechseln, reinigen Sie auch unbedingt die obere und untere Schutzhäube von angesammeltem Sägemehl, wie im Abschnitt „Wartung“ beschrieben. Solche Arbeiten erübrigen jedoch nicht die Notwendigkeit, die Funktion der unteren Schutzhäube vor jedem Gebrauch zu überprüfen.

## Anschließen eines Sauggeräts

### Sonderzubehör

**HINWEIS:** Damit die Gummikappe nicht verloren geht, bewahren Sie sie an der Vorderseite des Werkzeugs auf.

**HINWEIS:** Wenn Sie das Sauggerät nicht benutzen, bringen Sie die Gummikappe am Absaugstutzen an.

Entfernen Sie die Gummikappe vom Absaugstutzen, und schließen Sie den Schlauch des Sauggerätes an.  
► **Abb.21:** 1. Gummikappe

Um saubere Schneidarbeiten durchzuführen, schließen Sie ein Makita-Sauggerät an Ihr Werkzeug an. Schließen Sie den Schlauch des Sauggeräts unter Verwendung der Frontmanschetten 24 an den Absaugstutzen an.

- **Abb.22:** 1. Schlauch des Sauggeräts  
2. Frontmanschette 24 3. Absaugstutzen  
4. Gummikappe

# BETRIEB

Dieses Werkzeug ist nur zum Schneiden von Holzprodukten vorgesehen.

Besuchen Sie unsere Website, oder wenden Sie sich an Ihren Makita-Händler vor Ort, um zu erfahren, welche Kreissägeblätter für das zu schneidende Material korrekt sind.

## Überprüfen der Funktion der Sägeblattschutzhaube

Nehmen Sie den Akku ab.

Stellen Sie den Neigungswinkel auf 0° ein, ziehen Sie dann die untere Schutzhaube von Hand bis zum Anschlag ein, und lassen Sie sie los. Die untere Schutzhaube funktioniert ordnungsgemäß, wenn:

- sie sich ohne jegliche Behinderung über die Grundplatte einziehen lässt und;
- sie automatisch zurückkehrt und den Stopper berührt.

► **Abb.23:** 1. Obere Schutzhaube 2. Untere Schutzhaube 3. Grundplatte 4. Stopper 5. Öffnen 6. Schließen

Falls die untere Schutzhaube nicht ordnungsgemäß funktioniert, prüfen Sie, ob sich Sägemehl in der oberen und unteren Schutzhaube angesammelt hat. Falls die untere Schutzhaube selbst nach dem Entfernen von Sägemehl nicht ordnungsgemäß funktioniert, lassen Sie Ihr Werkzeug bei einer Makita-Kundendienststelle warten.

**⚠ VORSICHT:** Tragen Sie eine Staubmaske bei der Durchführung von Schneidarbeiten.

**⚠ VORSICHT:** Schieben Sie das Werkzeug unbedingt in einer geraden Linie *sachte vor*. Zu starkes Drücken oder Verdrehen des Werkzeugs führt zu Überhitzen des Motors und gefährlichem Rückschlag, der möglicherweise schwere Verletzungen verursachen kann.

**HINWEIS:** Bei kaltem Akku entfaltet das Werkzeug eventuell nicht seine volle Kapazität. Benutzen Sie das Werkzeug während dieser Phase eine Zeitlang nur für leichte Schnitte, bis sich der Akku auf Raumtemperatur erwärmt hat. Dann kann das Werkzeug seine volle Kapazität entfalten.

► **Abb.24**

Halten Sie das Werkzeug mit festem Griff. Das Werkzeug ist mit einem vorderen und hinteren Griff ausgestattet. Benutzen Sie beide Griffe, um das Werkzeug optimal zu halten. Wenn beide Hände die Säge halten, können sie nicht durch das Kreissägeblatt verletzt werden. Setzen Sie die Grundplatte auf das zu schneidende Werkstück auf, ohne dass das Kreissägeblatt mit dem Werkstück in Berührung kommt. Schalten Sie dann das Werkzeug ein und warten Sie, bis das Kreissägeblatt die volle Drehzahl erreicht hat. Schieben Sie das Werkzeug nun flach und gleichmäßig über die Werkstückoberfläche vorwärts, bis der Schnitt vollendet ist.

Um saubere Schnitte zu erzielen, halten Sie eine gerade Schnittlinie und eine gleichmäßige

Vorschubgeschwindigkeit ein. Falls der Schnitt sich nicht genau mit Ihrer beabsichtigten Schnittlinie deckt, versuchen Sie nicht, das Werkzeug zu drehen oder zur Schnittlinie zurückzudrücken. Dies könnte zu Klemmen des Kreissägeblatts und gefährlichem Rückschlag führen, was schwere Verletzungen verursachen kann. Lassen Sie den Schalter los, und warten Sie, bis das Kreissägeblatt zum Stillstand kommt, bevor Sie das Werkzeug zurückziehen. Richten Sie das Werkzeug auf eine neue Schnittlinie aus, und beginnen Sie einen neuen Schnitt. Vermeiden Sie eine Positionierung, bei der Sie den von der Säge herausgeschleuderten Spänen und dem Holzstaub ausgesetzt sind. Tragen Sie einen Augenschutz, um Augenverletzungen zu verhüten.

## Aufhänger

**⚠ VORSICHT:** Nehmen Sie stets den Akku ab, wenn Sie das Werkzeug am Aufhänger aufhängen.

**⚠ VORSICHT:** Hängen Sie das Werkzeug niemals an hohen Stellen oder an Oberflächen auf, wo das Werkzeug die Balance verlieren und herunterfallen kann. Anderenfalls kann das Werkzeug herunterfallen und schwere Verletzungen verursachen.

**⚠ VORSICHT:** Ziehen Sie das Werkzeug nicht nach unten, wenn es aufgehängt ist.

**⚠ VORSICHT:** Verwenden Sie die Aufhängungs-/Montageteile nur für ihre vorgesehenen Zwecke. Die Verwendung für nicht vorgesehene Zwecke kann einen Unfall oder Personenschäden verursachen.

Der Aufhänger ist praktisch, um das Werkzeug vorübergehend aufzuhängen. Um den Aufhänger zu benutzen, heben Sie ihn einfach an, bis er in die geöffnete Position einrastet.

Wenn er nicht benutzt wird, senken Sie den Aufhänger stets ab, bis er in die geschlossene Position einrastet.

► **Abb.25:** 1. Aufhänger 2. Geöffnete Position 3. Geschlossene Position

► **Abb.26**

## Parallelanschlag (Richtlineal)

### Sonderzubehör

Der praktische Parallelanschlag ermöglicht die Ausführung besonders genauer Geradschnitte. Schieben Sie einfach den Parallelanschlag gegen die Seite des Werkstücks, und sichern Sie ihn mit der Schraube an der Vorderseite der Grundplatte. Außerdem ermöglicht er wiederholte Schnitte von gleichförmiger Breite.

► **Abb.27:** 1. Parallelanschlag (Richtlineal) 2. Klemmschraube

## Anschluss einer Schnur (Haltegurt)

**⚠ Spezielle Sicherheitswarnungen für Gebrauch an hohen Orten**

**Lesen Sie alle Sicherheitswarnungen und Anweisungen durch.** Eine Missachtung der Warnungen und Anweisungen kann zu schweren Verletzungen führen.

1. Halten Sie das Werkzeug stets angebunden, wenn Sie „an hohen Orten“ arbeiten. Die maximale Schnurlänge beträgt 2 m. Die maximal zulässige Fallhöhe für die Schnur (Haltegurt) darf 2 m nicht überschreiten.
2. Verwenden Sie nur für diesen Werkzeugtyp geeignete Schnüre, die für eine Belastung von mindestens 7,0 kg (15,4 lbs) bemessen sind.
3. Verankern Sie die Werkzeugschnur nicht an irgendeinem Körperteil oder an beweglichen Komponenten. Verankern Sie die Werkzeugschnur an einer starren Struktur, die den Kräften eines herunterfallenden Werkzeugs widerstehen kann.
4. Vergewissern Sie sich vor der Benutzung, dass die Schnur an beiden Enden einwandfrei gesichert ist.
5. Überprüfen Sie Werkzeug und Schnur vor jeder Benutzung auf Beschädigung und ordnungsgemäße Funktion (einschließlich Stoff und Nähte). Unterlassen Sie den Gebrauch bei Beschädigung oder nicht ordnungsgemäßer Funktion.
6. Wickeln Sie die Schnüre nicht um scharfe oder raue Kanten, und lassen Sie sie auch nicht mit diesen in Berührung kommen.
7. Befestigen Sie das andere Ende der Schnur außerhalb des Arbeitsbereichs, so dass ein herunterfallendes Werkzeug sicher gehalten wird.
8. Bringen Sie die Schnur so an, dass sich das Werkzeug vom Bediener weg bewegt, falls es herunterfällt. Heruntergefallene Werkzeuge schwingen an der Schnur, was Verletzungen oder Verlust des Gleichgewichts verursachen kann.
9. Unterlassen Sie die Benutzung in der Nähe von beweglichen Teilen oder laufenden Maschinen. Anderenfalls besteht Gefährdung durch Zerquetschen oder Erfassen.
10. Tragen Sie das Werkzeug nicht an der Aufsatzvorrichtung oder der Schnur.
11. Übertragen Sie das Werkzeug nur zwischen Ihren Händen, wenn Sie einwandfreies Gleichgewicht haben.
12. Befestigen Sie Schnüre nicht in einer Weise am Werkzeug, die ordnungsgemäßes Funktionieren von Schutzhauben, Schaltern oder Verriegelungen verhindert.
13. Vermeiden Sie es, in der Schnur verwickelt zu werden.
14. Halten Sie die Schnur vom Schneidbereich des Werkzeugs fern.
15. Verwenden Sie Multi-Action-Karabiner und Karabiner mit Schraubverschluss. Verwenden Sie keine Single-Action-Karabiner mit Federschnapper.
16. Falls das Werkzeug herunterfällt, muss es markiert und außer Betrieb genommen werden und sollte von einem Makita-Werk oder einem autorisierten Service-Center überprüft werden.

► **Abb.28:** 1. Öse für Schnur (Haltegurt)

## WARTUNG

**⚠VORSICHT:** Vergewissern Sie sich vor der Durchführung von Inspektions- oder Wartungsarbeiten stets, dass das Werkzeug ausgeschaltet und der Akku abgenommen ist.

**⚠VORSICHT:** Säubern Sie die obere und untere Schutzhaube, um sicherzugehen, dass kein angesammeltes Sägemehl vorhanden ist, das die Funktion des unteren Schutzsystems beeinträchtigen kann. Ein verschmutztes Schutzsystem kann die ordnungsgemäße Funktion einschränken, was zu schweren Personenschäden führen kann. Am effektivsten kann diese Reinigung mit Druckluft durchgeführt werden. **Verwenden Sie unbedingt einen geeigneten Augenschutz und eine Atemmaske, um sich vor dem aus den Schutzhauben herausgeblasenen Staub zu schützen.**

**⚠VORSICHT:** Wischen Sie das Sägemehl nach jedem Gebrauch vom Werkzeug ab. Anderenfalls kann feines Sägemehl in das Werkzeug gelangen und eine Funktionsstörung oder einen Brand verursachen.

**ANMERKUNG:** Verwenden Sie auf keinen Fall Benzin, Waschbenzin, Verdünnern, Alkohol oder dergleichen. Solche Mittel können Verfärbung, Verformung oder Rissbildung verursachen.

Um die SICHERHEIT und ZUVERLÄSSIGKEIT dieses Produkts zu gewährleisten, sollten Reparaturen und andere Wartungs- oder Einstellarbeiten nur von Makita-Vertragswerkstätten oder Makita-Kundendienstzentren unter ausschließlicher Verwendung von Makita-Originalersatzteilen ausgeführt werden.

## Einstellen der 0°-Schnittgenauigkeit

Diese Einstellung ist werksseitig durchgeführt worden. Falls sie jedoch verstellt ist, können Sie sie nach dem folgenden Verfahren korrigieren.

1. Lösen Sie den Hebel an der Neigungswinkelskalenplatte geringfügig.
2. Richten Sie die Grundplatte mithilfe eines Einstelldreiecks oder Richtlineals durch Drehen der Einstellschraube senkrecht zum Sägeblatt aus.  
► **Abb.29:** 1. Einstelldreieck 2. Einstellschraube
3. Ziehen Sie den Hebel fest, und machen Sie dann einen Probeschnitt, um die Senkrechte zu überprüfen.

## SONDERZUBEHÖR

**⚠VORSICHT:** Die folgenden Zubehörteile oder Vorrichtungen werden für den Einsatz mit dem in dieser Anleitung beschriebenen Makita-Werkzeug empfohlen. Die Verwendung anderer Zubehörteile oder Vorrichtungen kann eine Verletzungsgefahr darstellen. Verwenden Sie Zubehörteile oder Vorrichtungen nur für ihren vorgesehenen Zweck.

Wenn Sie weitere Einzelheiten bezüglich dieser Zubehörteile benötigen, wenden Sie sich bitte an Ihre Makita-Kundendienststelle.

- Kreissägeblatt
- Gekröpfter Schraubenschlüssel
- Parallelanschlag (Richtlineal)
- Frontmanschette 24
- Original-Makita-Akku und -Ladegerät

**HINWEIS:** Manche Teile in der Liste können als Standardzubehör im Werkzeugsatz enthalten sein. Sie können von Land zu Land unterschiedlich sein.

# Makita Europe N.V.

Jan-Baptist Vinkstraat 2, 3070 Kortenberg, Belgium

# Makita Corporation

3-11-8, Sumiyoshi-cho, Anjo, Aichi 446-8502 Japan

[www.makita.com](http://www.makita.com)



885863E976  
EN, PL, HU, SK,  
CS, UK, RO, DE  
20240206