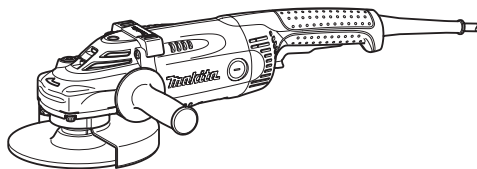
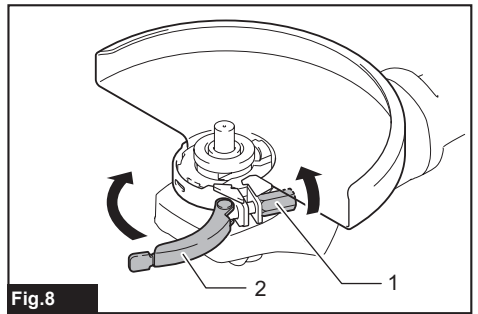
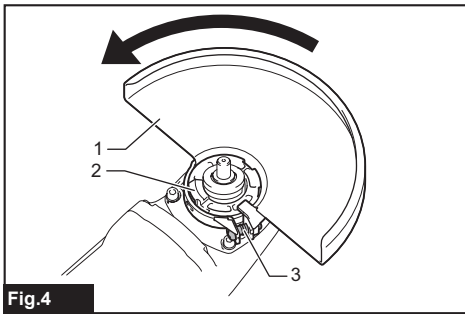
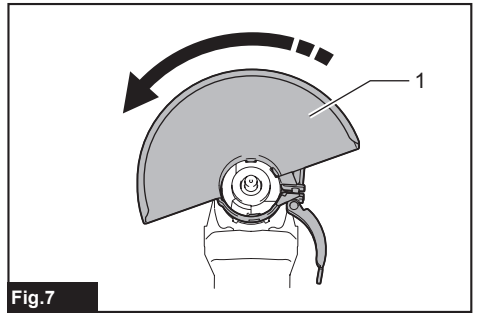
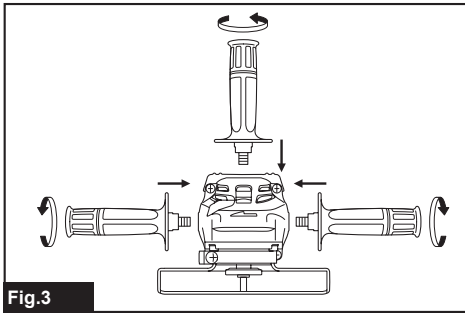
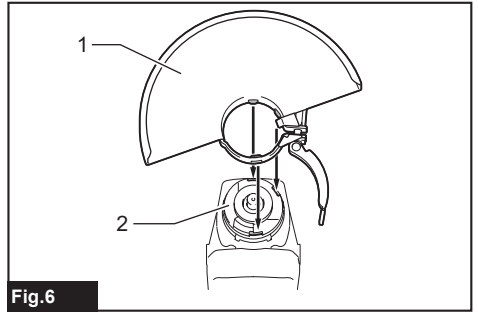
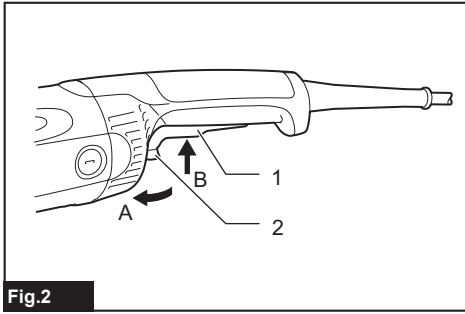
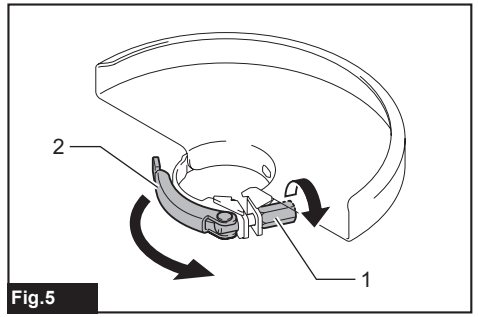
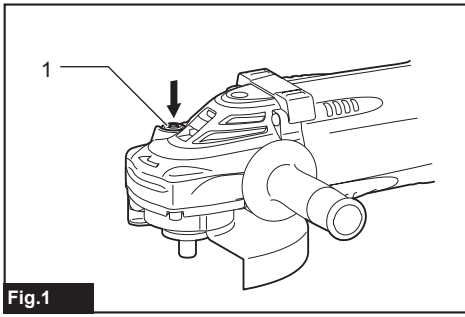


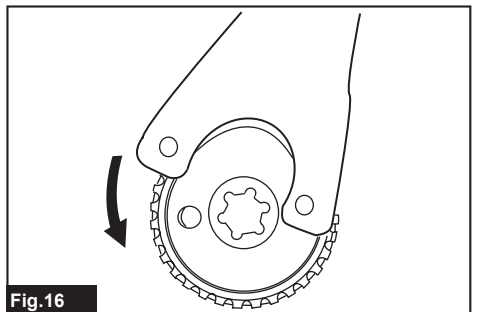
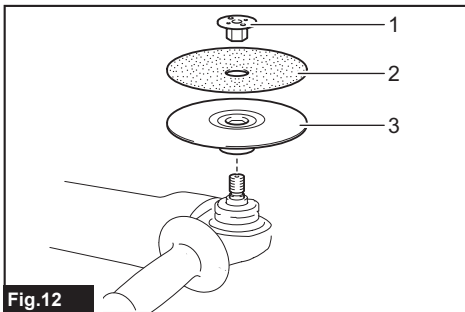
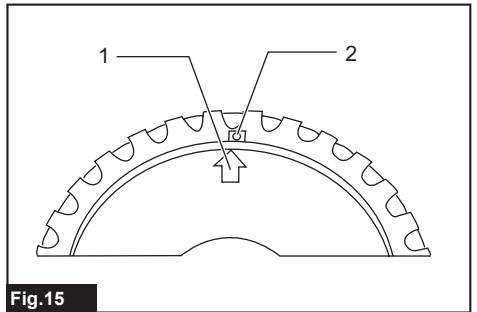
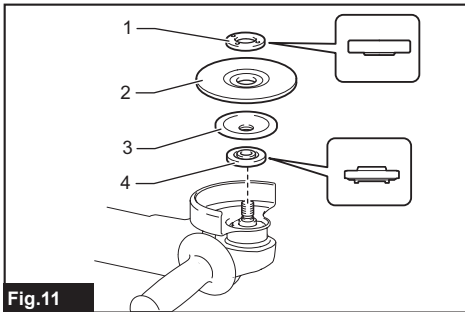
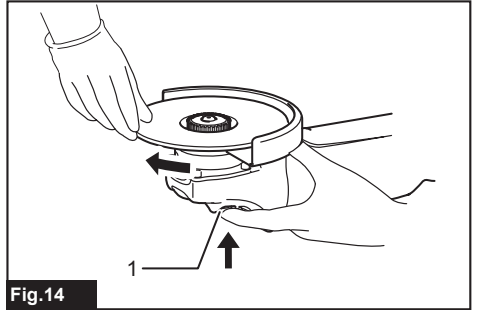
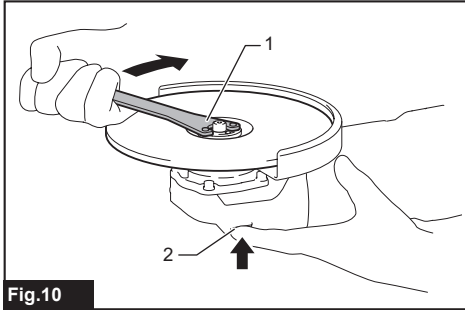
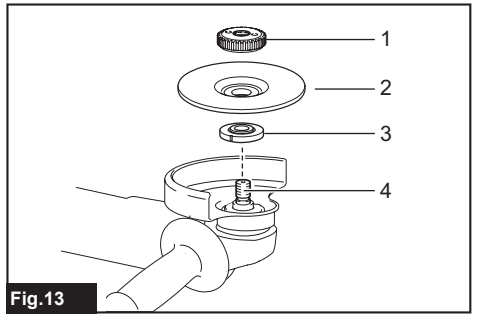
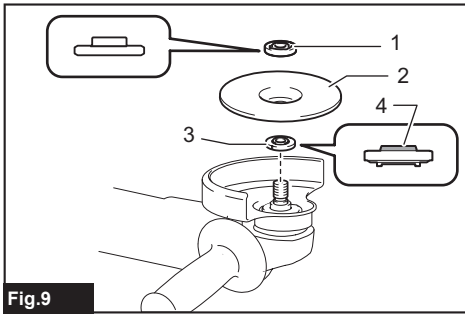


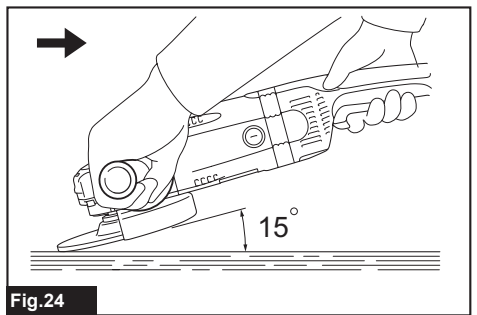
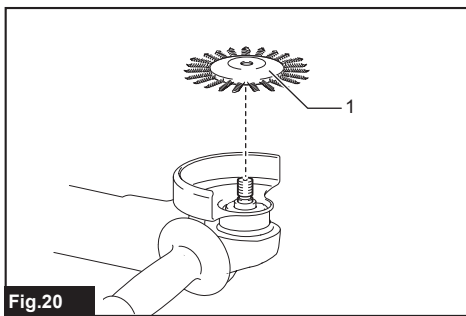
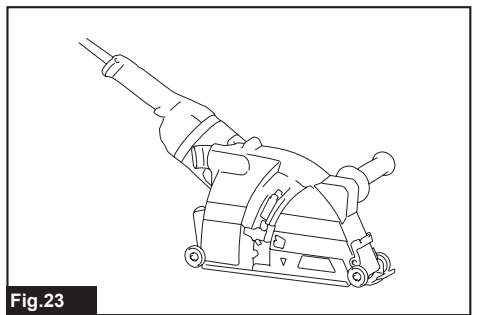
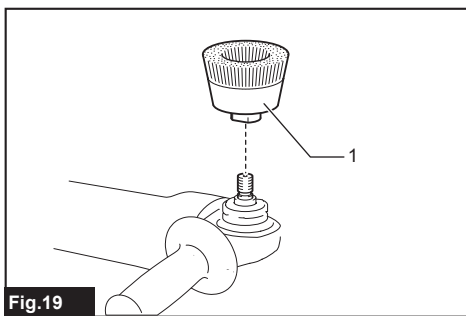
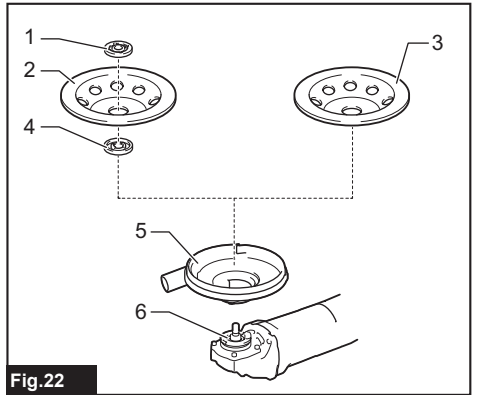
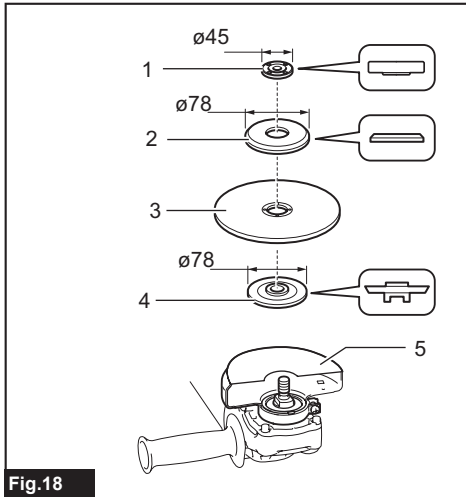
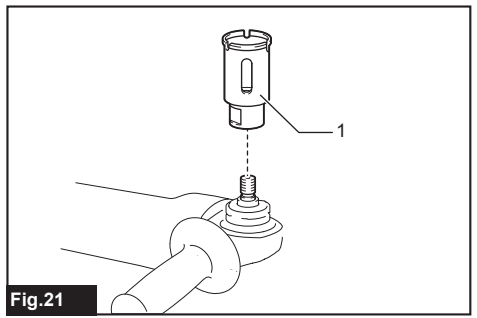
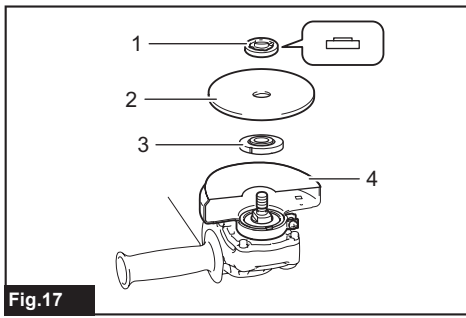
EN	Angle Grinder	INSTRUCTION MANUAL	7
PL	Szlifierka kątowa	INSTRUKCJA OBSŁUGI	19
HU	Sarokcsiszoló	HASZNÁLATI KÉZIKÖNYV	33
SK	Uhlová brúska	NÁVOD NA OBSLUHU	46
CS	Úhlová bruska	NÁVOD K OBSLUZE	59
UK	Кутова шліфувальна машина	ІНСТРУКЦІЯ З ЕКСПЛУАТАЦІЇ	71
RO	Polizor unghiular	MANUAL DE INSTRUCȚIUNI	85
DE	Winkelschleifer	BETRIEBSANLEITUNG	98

**GA7020**  
**GA7020S**  
**GA7020Y**  
**GA7021**  
**GA9020**  
**GA9020S**  
**GA9020Y**









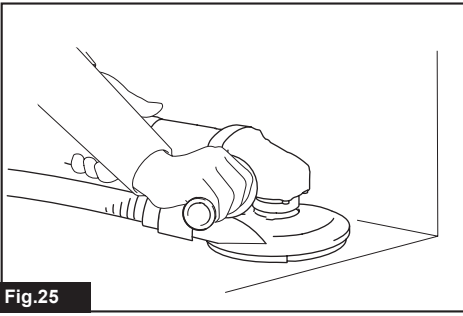


Fig.25

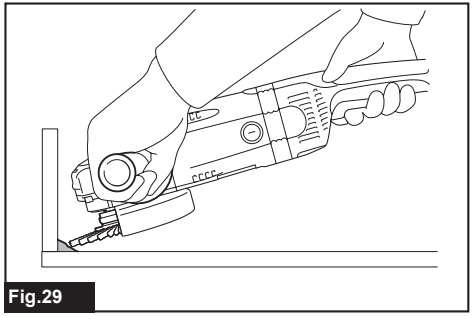


Fig.29

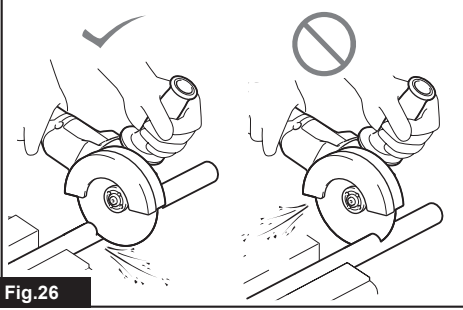


Fig.26

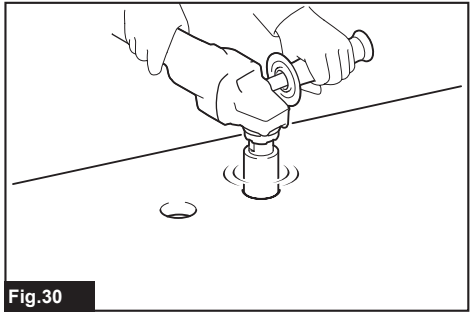


Fig.30

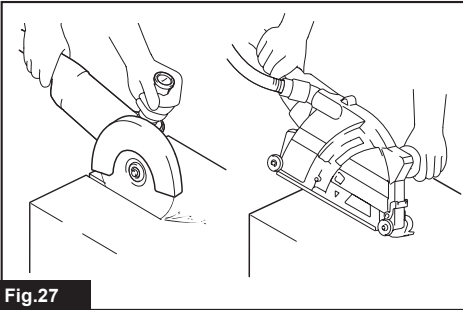


Fig.27

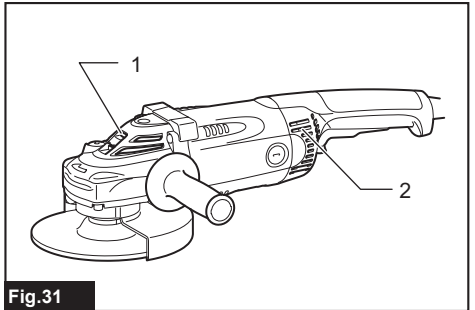


Fig.31

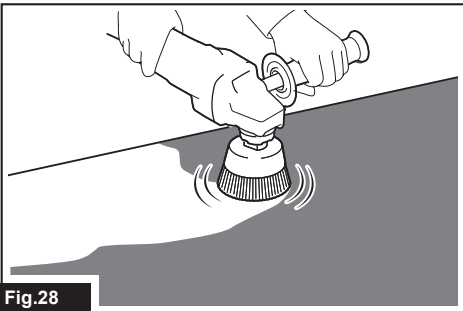


Fig.28

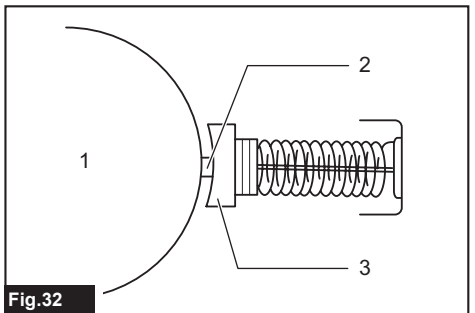
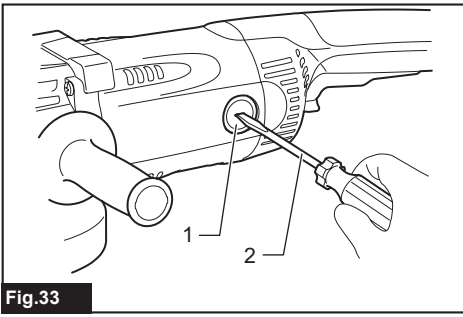


Fig.32



**Fig.33**

# SPECIFICATIONS

Model:		GA7020 / GA7020Y	GA7020S	GA7021	GA9020 / GA9020Y	GA9020S
Applicable grinding wheel	Max. wheel diameter	180 mm			230 mm	
	Max. wheel thickness	7.2 mm			6.5 mm	
Applicable cut-off wheel	Max. wheel diameter	180 mm			230 mm	
	Max. wheel thickness	4.0 mm			3.2 mm	
Applicable wire wheel brush	Max. wheel diameter	150 mm			175 mm	
	Max. wheel thickness	20 mm				
Spindle thread		M14 or M16 or 5/8" (country specific)				
Max. spindle length		26 mm				
No load speed (n <sub>0</sub> ) / Rated speed (n)		8,500 min <sup>-1</sup>			6,600 min <sup>-1</sup>	
Overall length		473 mm				
Net weight		5.6 - 7.8 kg	5.7 - 7.9 kg	5.6 - 7.8 kg	5.8 - 7.9 kg	5.8 - 8.0 kg
Safety class		□/II				

- Due to our continuing program of research and development, the specifications herein are subject to change without notice.
- Specifications may differ from country to country.
- The weight may differ depending on the attachment(s). The lightest and heaviest combinations, according to EPTA-Procedure 01/2014, are shown in the table.

## Symbols

The followings show the symbols which may be used for the equipment. Be sure that you understand their meaning before use.

	Read instruction manual.
	Wear safety glasses.
	Always operate with two hands.
	Do not use the wheel guard for cut-off operations.
	DOUBLE INSULATION
	<p>Only for EU countries</p> <p>Due to the presence of hazardous components in the equipment, used electrical and electronic equipment may have a negative impact on the environment and human health. Do not dispose of electrical and electronic appliances with household waste! In accordance with the European Directive on waste electrical and electronic equipment and its adaptation to national law, used electrical and electronic equipment should be collected separately and delivered to a separate collection point for municipal waste, operating in accordance with the environmental protection regulations. This is indicated by the symbol of the crossed-out wheeled bin placed on the equipment.</p>

## Intended use

The tool is intended for grinding, sanding, wire brushing, hole cutting and cutting of metal and stone materials without the use of water.

## Power supply

The tool should be connected only to a power supply of the same voltage as indicated on the nameplate, and can only be operated on single-phase AC supply. They are double-insulated and can, therefore, also be used from sockets without earth wire.

## For public low-voltage distribution systems of between 220 V and 250 V

Switching operations of electric apparatus cause voltage fluctuations. The operation of this device under unfavorable mains conditions can have adverse effects to the operation of other equipment. With a mains impedance equal or less than 0.27 Ohms it can be presumed that there will be no negative effects. The mains socket used for this device must be protected with a fuse or protective circuit breaker having slow tripping characteristics.

## Noise

The typical A-weighted noise level determined according to EN62841-2-3:

Model	Sound pressure level ( $L_{p(A)}$ ) : (dB(A))	Sound power level ( $L_{WA}$ ) : (dB(A))	Uncertainty (K) : (dB(A))
GA7020 / GA7020Y	92	100	3
GA7020S	92	100	3
GA7021	92	100	3
GA9020 / GA9020Y	92	100	3
GA9020S	92	100	3

**NOTE:** The declared noise emission value(s) has been measured in accordance with a standard test method and may be used for comparing one tool with another.

**NOTE:** The declared noise emission value(s) may also be used in a preliminary assessment of exposure.

**⚠ WARNING:** Wear ear protection.

**⚠ WARNING:** The noise emission during actual use of the power tool can differ from the declared value(s) depending on the ways in which the tool is used especially what kind of workpiece is processed.

**⚠ WARNING:** Be sure to identify safety measures to protect the operator that are based on an estimation of exposure in the actual conditions of use (taking account of all parts of the operating cycle such as the times when the tool is switched off and when it is running idle in addition to the trigger time).

**⚠ WARNING:** Grinding thin sheets of metal or other easily vibrating structures with a large surface can result in a total noise emission much higher (up to 15 dB) than the declared noise emission values.

Set heavy flexible damping mats or such to those workpieces to prevent them from emitting sound.

Take the increased noise emission into consideration for both the risk assessment of noise exposure and selecting adequate hearing protection.

## Vibration

The vibration total value (tri-axial vector sum) determined according to EN62841-2-3:

**Work mode: surface grinding with normal side grip**

Model	Vibration emission ( $a_{hv, AG}$ ) : (m/s <sup>2</sup> )	Uncertainty (K) : (m/s <sup>2</sup> )
GA7020 / GA7020Y	8.5	1.5
GA7020S	8.5	1.5
GA7021	5.0	1.5
GA9020 / GA9020Y	5.5	1.5
GA9020S	5.5	1.5

**Work mode: surface grinding with anti vibration side grip**

Model	Vibration emission ( $a_{hv, AG}$ ) : (m/s <sup>2</sup> )	Uncertainty (K) : (m/s <sup>2</sup> )
GA7020 / GA7020Y	8.0	1.5
GA7020S	8.0	1.5
GA7021	4.5	1.5
GA9020 / GA9020Y	5.5	1.5
GA9020S	5.5	1.5

**Work mode: disc sanding with normal side grip**

Model	Vibration emission ( $a_{hv, DS}$ ) : (m/s <sup>2</sup> )	Uncertainty (K) : (m/s <sup>2</sup> )
GA7020 / GA7020Y	2.5	1.5
GA7020S	2.5	1.5
GA7021	2.5 m/s <sup>2</sup> or less	1.5
GA9020 / GA9020Y	2.5 m/s <sup>2</sup> or less	1.5
GA9020S	2.5 m/s <sup>2</sup> or less	1.5



## Work mode: disc sanding with anti vibration side grip

Model	Vibration emission ( $a_{hr, DS}$ ) : (m/s <sup>2</sup> )	Uncertainty (K) : (m/s <sup>2</sup> )
GA7020 / GA7020Y	2.5	1.5
GA7020S	2.5	1.5
GA7021	2.5 m/s <sup>2</sup> or less	1.5
GA9020 / GA9020Y	2.5 m/s <sup>2</sup> or less	1.5
GA9020S	2.5 m/s <sup>2</sup> or less	1.5

**NOTE:** The declared vibration total value(s) has been measured in accordance with a standard test method and may be used for comparing one tool with another.

**NOTE:** The declared vibration total value(s) may also be used in a preliminary assessment of exposure.

**⚠ WARNING:** The vibration emission during actual use of the power tool can differ from the declared value(s) depending on the ways in which the tool is used especially what kind of workpiece is processed.

**⚠ WARNING:** Be sure to identify safety measures to protect the operator that are based on an estimation of exposure in the actual conditions of use (taking account of all parts of the operating cycle such as the times when the tool is switched off and when it is running idle in addition to the trigger time).

**⚠ WARNING:** The declared vibration emission value is used for main applications of the power tool. However if the power tool is used for other applications, the vibration emission value may be different.

## EC Declaration of Conformity

### For European countries only

The EC declaration of conformity is included as Annex A to this instruction manual.

## SAFETY WARNINGS

### General power tool safety warnings

**⚠ WARNING** Read all safety warnings, instructions, illustrations and specifications provided with this power tool. Failure to follow all instructions listed below may result in electric shock, fire and/or serious injury.

### Save all warnings and instructions for future reference.

The term "power tool" in the warnings refers to your mains-operated (corded) power tool or battery-operated (cordless) power tool.

### Grinder safety warnings

Safety warnings common for grinding, sanding, wire brushing, or cutting-off operations:

1. This power tool is intended to function as a grinder, sander, wire brush, hole cutter or cut-off tool. Read all safety warnings, instructions, illustrations and specifications provided with this power tool. Failure to follow all instructions listed below may result in electric shock, fire and/or serious injury.
2. Operations such as polishing are not to be performed with this power tool. Operations for which the power tool was not designed may create a hazard and cause personal injury.
3. Do not convert this power tool to operate in a way which is not specifically designed and specified by the tool manufacturer. Such a conversion may result in a loss of control and cause serious personal injury.
4. Do not use accessories which are not specifically designed and specified by the tool manufacturer. Just because the accessory can be attached to your power tool, it does not assure safe operation.
5. The rated speed of the accessory must be at least equal to the maximum speed marked on the power tool. Accessories running faster than their rated speed can break and fly apart.
6. The outside diameter and the thickness of your accessory must be within the capacity rating of your power tool. Incorrectly sized accessories cannot be adequately guarded or controlled.
7. The dimensions of the accessory mounting must fit the dimensions of the mounting hardware of the power tool. Accessories that do not match the mounting hardware of the power tool will run out of balance, vibrate excessively and may cause loss of control.
8. Do not use a damaged accessory. Before each use inspect the accessory such as abrasive wheels for chips and cracks, backing pad for cracks, tear or excess wear, wire brush for loose or cracked wires. If power tool or accessory is dropped, inspect for damage or install an undamaged accessory. After inspecting and installing an accessory, position yourself and bystanders away from the plane of the rotating accessory and run the power tool at maximum no-load speed for one minute. Damaged accessories will normally break apart during this test time.
9. Wear personal protective equipment. Depending on application, use face shield, safety goggles or safety glasses. As appropriate, wear dust mask, hearing protectors, gloves and workshop apron capable of stopping small abrasive or workpiece fragments. The eye protection must be capable of stopping flying debris generated by various applications. The dust mask or respirator must be capable of filtering particles generated by the particular application. Prolonged exposure to high intensity noise may cause hearing loss.

10. **Keep bystanders a safe distance away from work area. Anyone entering the work area must wear personal protective equipment.** Fragments of workpiece or of a broken accessory may fly away and cause injury beyond immediate area of operation.
11. **Hold the power tool by insulated gripping surfaces only, when performing an operation where the cutting accessory may contact hidden wiring or its own cord.** Cutting accessory contacting a "live" wire may make exposed metal parts of the power tool "live" and could give the operator an electric shock.
12. **Position the cord clear of the spinning accessory.** If you lose control, the cord may be cut or snagged and your hand or arm may be pulled into the spinning accessory.
13. **Never lay the power tool down until the accessory has come to a complete stop.** The spinning accessory may grab the surface and pull the power tool out of your control.
14. **Do not run the power tool while carrying it at your side.** Accidental contact with the spinning accessory could snag your clothing, pulling the accessory into your body.
15. **Regularly clean the power tool's air vents.** The motor's fan will draw the dust inside the housing and excessive accumulation of powdered metal may cause electrical hazards.
16. **Do not operate the power tool near flammable materials.** Sparks could ignite these materials.
17. **Do not use accessories that require liquid coolants.** Using water or other liquid coolants may result in electrocution or shock.

#### **Kickback and related warnings:**

Kickback is a sudden reaction to a pinched or snagged rotating wheel, backing pad, brush or any other accessory. Pinching or snagging causes rapid stalling of the rotating accessory which in turn causes the uncontrolled power tool to be forced in the direction opposite of the accessory's rotation at the point of the binding. For example, if an abrasive wheel is snagged or pinched by the workpiece, the edge of the wheel that is entering into the pinch point can dig into the surface of the material causing the wheel to climb out or kick out. The wheel may either jump toward or away from the operator, depending on direction of the wheel's movement at the point of pinching. Abrasive wheels may also break under these conditions.

Kickback is the result of power tool misuse and/or incorrect operating procedures or conditions and can be avoided by taking proper precautions as given below.

1. **Maintain a firm grip with both hands on the power tool and position your body and arms to allow you to resist kickback forces. Always use auxiliary handle, if provided, for maximum control over kickback or torque reaction during start-up.** The operator can control torque reactions or kickback forces, if proper precautions are taken.
2. **Never place your hand near the rotating accessory.** Accessory may kickback over your hand.
3. **Do not position your body in the area where power tool will move if kickback occurs.** Kickback will propel the tool in direction opposite to the wheel's movement at the point of snagging.
4. **Use special care when working corners, sharp edges, etc. Avoid bouncing and snagging the accessory.** Corners, sharp edges or bouncing have a tendency to snag the rotating accessory and cause loss of control or kickback.
5. **Do not attach a saw chain woodcarving blade, segmented diamond wheel with a peripheral gap greater than 10 mm or toothed saw blade.** Such blades create frequent kickback and loss of control.

#### **Safety warnings specific for grinding and cutting-off operations:**

1. **Use only wheel types that are specified for your power tool and the specific guard designed for the selected wheel.** Wheels for which the power tool was not designed cannot be adequately guarded and are unsafe.
2. **The grinding surface of centre depressed wheels must be mounted below the plane of the guard lip.** An improperly mounted wheel that projects through the plane of the guard lip cannot be adequately protected.
3. **The guard must be securely attached to the power tool and positioned for maximum safety, so the least amount of wheel is exposed towards the operator.** The guard helps to protect the operator from broken wheel fragments, accidental contact with wheel and sparks that could ignite clothing.
4. **Wheels must be used only for specified applications. For example: do not grind with the side of cut-off wheel.** Abrasive cut-off wheels are intended for peripheral grinding, side forces applied to these wheels may cause them to shatter.
5. **Always use undamaged wheel flanges that are of correct size and shape for your selected wheel.** Proper wheel flanges support the wheel thus reducing the possibility of wheel breakage. Flanges for cut-off wheels may be different from grinding wheel flanges.
6. **Do not use worn down wheels from larger power tools.** A wheel intended for larger power tool is not suitable for the higher speed of a smaller tool and may burst.
7. **When using dual purpose wheels always use the correct guard for the application being performed.** Failure to use the correct guard may not provide the desired level of guarding, which could lead to serious injury.

#### **Additional safety warnings specific for cutting-off operations:**

1. **Do not "jam" the cut-off wheel or apply excessive pressure. Do not attempt to make an excessive depth of cut.** Overstressing the wheel increases the loading and susceptibility to twisting or binding of the wheel in the cut and the possibility of kickback or wheel breakage.
2. **Do not position your body in line with and behind the rotating wheel.** When the wheel, at the point of operation, is moving away from your body, the possible kickback may propel the spinning wheel and the power tool directly at you.

3. **When the wheel is binding or when interrupting a cut for any reason, switch off the power tool and hold it motionless until the wheel comes to a complete stop. Never attempt to remove the cut-off wheel from the cut while the wheel is in motion otherwise kickback may occur.** Investigate and take corrective action to eliminate the cause of wheel binding.
4. **Do not restart the cutting operation in the workpiece. Let the wheel reach full speed and carefully re-enter the cut.** The wheel may bind, walk up or kickback if the power tool is restarted in the workpiece.
5. **Support panels or any oversized workpiece to minimize the risk of wheel pinching and kickback.** Large workpieces tend to sag under their own weight. Supports must be placed under the workpiece near the line of cut and near the edge of the workpiece on both sides of the wheel.
6. **Use extra caution when making a “pocket cut” into existing walls or other blind areas.** The protruding wheel may cut gas or water pipes, electrical wiring or objects that can cause kickback.
7. **Do not attempt to do curved cutting.** Overstressing the wheel increases the loading and susceptibility to twisting or binding of the wheel in the cut and the possibility of kickback or wheel breakage, which can lead to serious injury.
8. **Before using a segmented diamond wheel, make sure that the diamond wheel has the peripheral gap between segments of 10 mm or less, only with a negative rake angle.**
5. **Before using the tool on an actual workpiece, let it run for a while. Watch for vibration or wobbling that could indicate poor installation or a poorly balanced wheel.**
6. **Use the specified surface of the wheel to perform the grinding.**
7. **Do not leave the tool running. Operate the tool only when hand-held.**
8. **Do not touch the workpiece immediately after operation; it may be extremely hot and could burn your skin.**
9. **Do not touch accessories immediately after operation; it may be extremely hot and could burn your skin.**
10. **Observe the instructions of the manufacturer for correct mounting and use of wheels. Handle and store wheels with care.**
11. **Do not use separate reducing bushings or adaptors to adapt large hole abrasive wheels.**
12. **Use only flanges specified for this tool.**
13. **For tools intended to be fitted with threaded hole wheel, ensure that the thread in the wheel is long enough to accept the spindle length.**
14. **Check that the workpiece is properly supported.**
15. **Pay attention that the wheel continues to rotate after the tool is switched off.**
16. **If working place is extremely hot and humid, or badly polluted by conductive dust, use a short-circuit breaker (30 mA) to assure operator safety.**

#### **Safety warnings specific for sanding operations:**

1. **Use proper sized sanding disc paper. Follow manufacturers recommendations, when selecting sanding paper.** Larger sanding paper extending too far beyond the sanding pad presents a laceration hazard and may cause snagging, tearing of the disc or kickback.

#### **Safety warnings specific for wire brushing operations:**

1. **Be aware that wire bristles are thrown by the brush even during ordinary operation. Do not overstress the wires by applying excessive load to the brush.** The wire bristles can easily penetrate light clothing and/or skin.
2. **If the use of a guard is specified for wire brushing, do not allow any interference of the wire wheel or brush with the guard.** Wire wheel or brush may expand in diameter due to work load and centrifugal forces.

#### **Additional Safety Warnings:**

1. **When using depressed centre grinding wheels, be sure to use only fiberglass-reinforced wheels.**
2. **NEVER USE Stone Cup type wheels with this grinder.** This grinder is not designed for these types of wheels and the use of such a product may result in serious personal injury.
3. **Be careful not to damage the spindle, the flange (especially the installing surface) or the lock nut. Damage to these parts could result in wheel breakage.**
4. **Make sure the wheel is not contacting the workpiece before the switch is turned on.**

17. **Do not use the tool on any materials containing asbestos.**
18. **When use cut-off wheel, always work with the dust collecting wheel guard if required by domestic regulation.**
19. **Cutting discs must not be subjected to any lateral pressure.**
20. **Do not use cloth work gloves during operation.** Fibers from cloth gloves may enter the tool, which causes tool breakage.
21. **Before operation, make sure that there is no buried object such as electric pipe, water pipe or gas pipe in the workpiece.** Otherwise, it may cause an electric shock, electrical leakage or gas leak.
22. **If a blotter is attached to the wheel, do not remove it. The diameter of the blotter must be larger than the lock nut, outer flange, and inner flange.**
23. **Before installing a grinding wheel, always check that the blotter part does not have any abnormalities such as chips or cracks.**
24. **Tighten the lock nut properly.** Overtightening the wheel can cause breakage and insufficient tightening can cause fluttering.

## **SAVE THESE INSTRUCTIONS.**

**⚠WARNING:** DO NOT let comfort or familiarity with product (gained from repeated use) replace strict adherence to safety rules for the subject product. MISUSE or failure to follow the safety rules stated in this instruction manual may cause serious personal injury.

## FUNCTIONAL DESCRIPTION

**CAUTION:** Always be sure that the tool is switched off and unplugged before adjusting or checking function on the tool.

### Shaft lock

**WARNING:** Never actuate the shaft lock when the spindle is moving. It may cause serious injury or the tool damage.

Press the shaft lock to prevent spindle rotation when installing or removing accessories.

► Fig.1: 1. Shaft lock

### Switch action

**CAUTION:** Before plugging in the tool, always check to see that the switch trigger actuates properly and returns to the "OFF" position when released.

**CAUTION:** Make sure to switch off the tool in case of a blackout or accidental shut down such as unplugging of the power cord. Otherwise the tool will start unexpectedly when the power supply is recovered and cause an accident or personal injury.

There are three patterns of the switch action depending on country.

► Fig.2: 1. Switch trigger 2. Lock lever

## For tool with the lock-on switch

### Country specific

**CAUTION:** Switch can be locked in "ON" position for ease of operator comfort during extended use. Apply caution when locking tool in "ON" position and maintain firm grasp on tool.

To start the tool, simply pull the switch trigger (in the B direction). Release the switch trigger to stop. For continuous operation, pull the switch trigger (in the B direction) and then push in the lock lever (in the A direction).

To stop the tool from the locked position, pull the switch trigger fully (in the B direction), then release it.

## For tool with the lock-off switch

### Country specific (including Australia and New Zealand)

To prevent the switch trigger from accidentally pulled, a lock lever is provided.

To start the tool, push in the lock lever (in the A direction) and then pull the switch trigger (in the B direction). Release the switch trigger to stop.

**NOTICE:** Do not pull the switch trigger hard without pressing in the lock lever. This can cause switch breakage.

## For tool with the lock-on and lock-off switch

### Country specific

**CAUTION:** Switch can be locked in "ON" position for ease of operator comfort during extended use. Apply caution when locking tool in "ON" position and maintain firm grasp on tool.

To prevent the switch trigger from accidentally pulled, a lock lever is provided.

To start the tool, push in the lock lever (in the A direction) and then pull the switch trigger (in the B direction). Release the switch trigger to stop.

For continuous operation, push in the lock lever (in the A direction), pull the switch trigger (in the B direction) and then push the lock lever (in the A direction) further in.

To stop the tool from the locked position, pull the switch trigger fully (in the B direction), then release it.

**NOTICE:** Do not pull the switch trigger hard without pressing in the lock lever. This can cause switch breakage.

### Soft start feature

#### Only for model GA7020S / GA9020S

Soft start feature reduces starting reaction.

## ASSEMBLY

**CAUTION:** Always be sure that the tool is switched off and unplugged before carrying out any work on the tool.

### Installing side grip (handle)

**CAUTION:** Always be sure that the side grip is installed securely before operation.

**CAUTION:** You can install the side grip on the 3 holes. Install the side grip on one of the holes according to the operation.

Screw the side grip securely on the position of the tool as shown in the figure.

► Fig.3

### Installing or removing wheel guard (For depressed center wheel, flap disc, flex wheel, wire wheel brush / abrasive cut-off wheel, diamond wheel)

**WARNING:** When using a depressed center wheel, flap disc, flex wheel or wire wheel brush, the wheel guard must be fitted on the tool so that the closed side of the guard always points toward the operator.

**WARNING:** When using an abrasive cut-off / diamond wheel, be sure to use only the special wheel guard designed for use with cut-off wheels.

## For tool with locking screw type wheel guard

Mount the wheel guard with the protrusions on the wheel guard band aligned with the notches on the bearing box. Then rotate the wheel guard to such an angle that it can protect the operator according to work. Be sure to tighten the screw securely.

To remove wheel guard, follow the installation procedure in reverse.

► **Fig.4:** 1. Wheel guard 2. Bearing box 3. Screw

## For tool with clamp lever type wheel guard

Loosen the nut, and then pull the lever in the direction of the arrow.

► **Fig.5:** 1. Nut 2. Lever

Mount the wheel guard with the protrusions on the wheel guard band aligned with the notches on the bearing box. Then rotate the wheel guard to such an angle that it can protect the operator according to work.

► **Fig.6:** 1. Wheel guard 2. Bearing box

► **Fig.7:** 1. Wheel guard

Securely tighten the nut using a spanner, and then close the lever in direction of the arrow to fasten the wheel guard. If the lever is too tight or too loose to fasten the wheel guard, open the lever and then loosen or tighten the nut using the spanner to adjust the tightening of the wheel guard band.

► **Fig.8:** 1. Nut 2. Lever

To remove wheel guard, follow the installation procedure in reverse.

## Installing or removing depressed center wheel or flap disc

### Optional accessory

**⚠WARNING:** When using a depressed center wheel or flap disc, the wheel guard must be fitted on the tool so that the closed side of the guard always points toward the operator.

**⚠WARNING:** Make sure that the mounting part of the inner flange fits into the inner diameter of the depressed center wheel / flap disc perfectly. Mounting the inner flange on the wrong side may result in the dangerous vibration.

Mount the inner flange onto the spindle.

Make sure to fit the dented part of the inner flange onto the straight part at the bottom of the spindle.

Fit the wheel/disc on the inner flange and screw the lock nut with its protrusion facing upward.

► **Fig.9:** 1. Lock nut 2. Depressed center wheel 3. Inner flange 4. Mounting part

To tighten the lock nut, press the shaft lock firmly so that the spindle cannot revolve, then use the lock nut wrench and securely tighten clockwise.

► **Fig.10:** 1. Lock nut wrench 2. Shaft lock

To remove the wheel, follow the installation procedure in reverse.

## Installing or removing flex wheel

### Optional accessory

**⚠WARNING:** Always use supplied guard when flex wheel is on the tool. Wheel can shatter during use and guard helps to reduce chances of personal injury.

► **Fig.11:** 1. Lock nut 2. Flex wheel 3. Back up pad 4. Inner flange

Follow instructions for depressed center wheel but also use back up pad over wheel.

## Installing or removing abrasive disc

### Optional accessory

► **Fig.12:** 1. Sanding lock nut 2. Abrasive disc 3. Rubber pad

1. Mount the rubber pad onto the spindle.
2. Fit the disc on the rubber pad and screw the sanding lock nut onto the spindle.
3. Hold the spindle with the shaft lock, and securely tighten the sanding lock nut clockwise with the lock nut wrench.

To remove the disc, follow the installation procedure in reverse.

**NOTE:** Use sander accessories specified in this manual. These must be purchased separately.

## Super flange

### Optional accessory

Super flange is a special accessory for model which is NOT equipped with a brake function.

Models with the letter F are standard-equipped with Super flange. Only 1/3 of efforts needed to undo lock nut, compared with conventional type.

## Installing or removing Ezynut

### Optional accessory

Only for tools with M14 spindle thread.

**⚠CAUTION:** Do not use Ezynut with Super Flange. Those flanges are so thick that the entire thread cannot be retained by the spindle.

Mount inner flange, abrasive wheel and Ezynut onto the spindle so that Makita Logo on Ezynut faces outside.

► **Fig.13:** 1. Ezynut 2. Abrasive wheel 3. Inner flange 4. Spindle

Press shaft lock firmly and tighten Ezynut by turning the abrasive wheel clockwise as far as it turns.

► **Fig.14:** 1. Shaft lock

To loosen the Ezynut, turn the outside ring of Ezynut counterclockwise.

**NOTE:** Ezynut can be loosened by hand as long as the arrow points the notch. Otherwise a lock nut wrench is required to loosen it. Insert one pin of the wrench into a hole and turn Ezynut counterclockwise.

► **Fig.15:** 1. Arrow 2. Notch

► **Fig.16**

## Installing abrasive cut-off / diamond wheel

### Optional accessory

**⚠ WARNING:** When using an abrasive cut-off / diamond wheel, be sure to use only the special wheel guard designed for use with cut-off wheels.

**⚠ WARNING:** NEVER use cut-off wheel for side grinding.

Mount the inner flange onto the spindle.

Fit the wheel / disc on the inner flange and screw the lock nut onto the spindle.

► **Fig.17:** 1. Lock nut 2. Abrasive cut-off wheel / diamond wheel 3. Inner flange 4. Wheel guard for abrasive cut-off wheel / diamond wheel

### For Australia and New Zealand

► **Fig.18:** 1. Lock nut 2. Outer flange 78 3. Abrasive cut-off wheel / diamond wheel 4. Inner flange 78 5. Wheel guard for abrasive cut-off wheel / diamond wheel

## Installing wire cup brush

### Optional accessory

**⚠ CAUTION:** Do not use brush that is damaged, or which is out of balance. Use of damaged brush could increase potential for injury from contact with broken brush wires.

Place the tool upside down to allow easy access to the spindle.

Remove any accessories on spindle. Thread wire cup brush onto spindle and tighten with supplied wrench.

► **Fig.19:** 1. Wire cup brush

## Installing wire wheel brush

### Optional accessory

**⚠ CAUTION:** Do not use wire wheel brush that is damaged, or which is out of balance. Use of damaged wire wheel brush could increase potential for injury from contact with broken wires.

**⚠ CAUTION:** ALWAYS use guard with wire wheel brushes, assuring diameter of wheel fits inside guard. Wheel can shatter during use and guard helps to reduce chances of personal injury.

Place the tool upside down to allow easy access to the spindle.

Remove any accessories on spindle. Thread wire wheel brush onto spindle and tighten with the wrenches.

► **Fig.20:** 1. Wire wheel brush

## Installing hole cutter

### Optional accessory

Place the tool upside down to allow easy access to the spindle.

Remove any accessories on the spindle. Thread the hole cutter onto the spindle, and tighten it with the supplied wrench.

► **Fig.21:** 1. Hole cutter

## Installing dust collecting wheel guard for grinding

Only for model GA7020S / GA9020S

### Optional accessory

With optional accessories, you can use this tool for planing concrete surface.

**⚠ CAUTION:** Dust collecting wheel guard for grinding is only for use in planing concrete surface with a cup-type diamond wheel. Do not use this guard with any other cutting accessory or for any other purpose.

**⚠ CAUTION:** Before operation, make sure that a vacuum cleaner is connected to the tool and turned on.

Place the tool upside down and install the dust collecting wheel guard.

Mount the inner flange onto the spindle.

Fit the cup-type diamond wheel on the inner flange and tighten the lock nut onto the spindle.

► **Fig.22:** 1. Lock nut 2. Cup-type diamond wheel 3. Hubbed cup-type diamond wheel 4. Inner flange 5. Dust collecting wheel guard 6. Bearing box

**NOTE:** For information how to install the dust collecting wheel guard, refer to the manual of the dust collecting wheel guard.

## Installing dust collecting wheel guard for cutting-off

### Optional accessory

With optional accessories, you can use this tool for cutting stone materials.

► **Fig.23**

**NOTE:** For information how to install the dust collecting wheel guard, refer to the manual of the dust collecting wheel guard.

## Installing or removing dust cover attachment

### Optional accessory

**⚠ CAUTION:** Always be sure that the tool is switched off and unplugged before installing or removing the dust cover attachment. Failure to do so causes damage to the tool or a personal injury.

Install the dust cover attachment to each specified position.

For details, refer to the instruction manual of the dust cover attachment.

**NOTICE:** Clean out the dust cover attachment when it is clogged with dust or foreign matters. Continuing operation with a clogged dust cover attachment will damage the tool.

## OPERATION

**⚠WARNING:** It should never be necessary to force the tool. The weight of the tool applies adequate pressure. Forcing and excessive pressure could cause dangerous wheel breakage.

**⚠WARNING:** ALWAYS replace wheel if tool is dropped while grinding.

**⚠WARNING:** NEVER hit the workpiece with the wheel.

**⚠WARNING:** Avoid bouncing and snagging the wheel, especially when working corners, sharp edges etc. This can cause loss of control and kickback.

**⚠WARNING:** NEVER use tool with wood cutting blades and other saw blades. Such blades when used on a grinder frequently kick and cause loss of control leading to personal injury.

**⚠CAUTION:** Never switch on the tool when it is in contact with the workpiece, it may cause an injury to operator.

**⚠CAUTION:** Always wear safety goggles or a face shield during operation.

**⚠CAUTION:** After operation, always switch off the tool and wait until the wheel has come to a complete stop before putting the tool down.

**⚠CAUTION:** ALWAYS hold the tool firmly with one hand on housing and the other on the side grip (handle).

**NOTE:** A dual purpose wheel can be used for both grinding and cutting-off operations.

Refer to the "Grinding and sanding operation" for grinding operation, and refer to the "Operation with abrasive cut-off / diamond wheel" for cutting-off operation.

### Grinding and sanding operation

► Fig.24

Turn the tool on and then apply the wheel or disc to the workpiece.

In general, keep the edge of the wheel or disc at an angle of about 15° to the workpiece surface. During the break-in period with a new wheel, do not work the grinder in forward direction or it may cut into the workpiece. Once the edge of the wheel has been rounded off by use, the wheel may be worked in both forward and backward direction.

**Usage example:** operation with cup-type diamond wheel

► Fig.25

Keep the tool horizontally and apply the entire cup-type diamond wheel to the workpiece surface.

## Operation with abrasive cut-off / diamond wheel

### Optional accessory

**⚠WARNING:** Do not "jam" the wheel or apply excessive pressure. Do not attempt to make an excessive depth of cut. Overstressing the wheel increases the loading and susceptibility to twisting or binding of the wheel in the cut and the possibility of kickback, wheel breakage and overheating of the motor may occur.

**⚠WARNING:** Do not start the cutting operation in the workpiece. Let the wheel reach full speed and carefully enter into the cut moving the tool forward over the workpiece surface. The wheel may bind, walk up or kickback if the power tool is started in the workpiece.

**⚠WARNING:** During cutting operations, never change the angle of the wheel. Placing side pressure on the cut-off wheel (as in grinding) will cause the wheel to crack and break, causing serious personal injury.

**⚠WARNING:** A diamond wheel shall be operated perpendicular to the material being cut.

**Usage example:** operation with abrasive cut-off wheel

► Fig.26

**Usage example:** operation with diamond wheel

► Fig.27

## Operation with wire cup brush

### Optional accessory

**⚠CAUTION:** Check operation of brush by running tool with no load, insuring that no one is in front of or in line with brush.

**NOTICE:** Avoid applying too much pressure which causes over bending of wires when using the wire cup brush. It may lead to premature breakage.

**Usage example:** operation with wire cup brush

► Fig.28

## Operation with wire wheel brush

### Optional accessory

**⚠CAUTION:** Check operation of wire wheel brush by running tool with no load, insuring that no one is in front of or in line with the wire wheel brush.

**NOTICE:** Avoid applying too much pressure which causes over bending of wires when using wire wheel brush. It may lead to premature breakage.

**Usage example:** operation with wire wheel brush

► Fig.29

## Operation with hole cutter

### Optional accessory

**⚠ CAUTION:** Check operation of the hole cutter by running the tool with no load, insuring that no one is in front of the hole cutter.

**NOTICE:** Do not tilt the tool during operation. It may lead to premature breakage.

Usage example: operation with hole cutter

► Fig.30

## MAINTENANCE

**⚠ CAUTION:** Always be sure that the tool is switched off and unplugged before attempting to perform inspection or maintenance.

**NOTICE:** Never use gasoline, benzine, thinner, alcohol or the like. Discoloration, deformation or cracks may result.

To maintain product SAFETY and RELIABILITY, repairs, any other maintenance or adjustment should be performed by Makita Authorized or Factory Service Centers, always using Makita replacement parts.

### Air vent cleaning

The tool and its air vents have to be kept clean. Regularly clean the tool's air vents or whenever the vents start to become obstructed.

► Fig.31: 1. Exhaust vent 2. Inhalation vent

### Replacing carbon brushes

► Fig.32: 1. Commutator 2. Insulating tip 3. Carbon brush

When the resin insulating tip inside the carbon brush is exposed to contact the commutator, it will automatically shut off the motor. When this occurs, both carbon brushes should be replaced. Keep the carbon brushes clean and free to slip in the holders. Both carbon brushes should be replaced at the same time. Use only identical carbon brushes.

Use a screwdriver to remove the brush holder caps. Take out the worn carbon brushes, insert the new ones and secure the brush holder caps.

► Fig.33: 1. Brush holder cap 2. Screwdriver

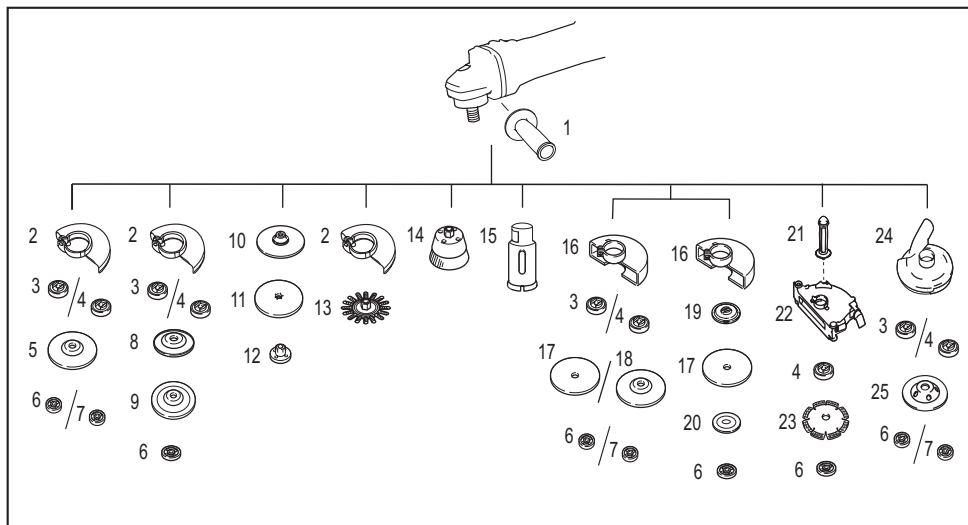


# COMBINATION OF APPLICATIONS AND ACCESSORIES

## Optional accessory

**⚠ CAUTION:** Using the tool with incorrect guards can cause risks as follows.

- When using a cut-off wheel guard for facial grinding, the wheel guard may interfere with the workpiece causing poor control.
- When using a grinding wheel guard for cutting-off operations with bonded abrasive wheels and diamond wheels, there is an increased risk of exposure to rotating wheels, emitted sparks and particles, as well as exposure to wheel fragments in the event of wheel burst.
- When using a cut-off wheel guard or grinding wheel guard for facial operations with cup-type diamond wheels, the wheel guard may interfere with the workpiece causing poor control.
- When using a cut-off wheel guard or grinding wheel guard with a wheel-type wire brush with a thickness greater than the maximum thickness as specified in "SPECIFICATIONS", the wires may catch on the guard leading to breaking of wires.
- Use of dust collecting wheel guards for cutting-off and facial operations in concrete or masonry reduces a risk of exposure to dust.
- When using dual purpose (combined grinding and cutting-off abrasive) flange mounted wheels, only use a cut-off wheel guard.



-	Application	180 mm model	230 mm model
1	-	Side grip	
2	-	Wheel guard (for grinding wheel)	
3	-	Inner flange	
4	-	Super flange *1	
5	Grinding / Sanding	Depressed center wheel / Flap disc	
6	-	Lock nut	
7	-	Ezynut *1*2	
8	-	Back up pad	
9	Grinding	Flex wheel	
10	-	Rubber pad	
11	Sanding	Abrasive disc	
12	-	Sanding lock nut	
13	Wire brushing	Wire wheel brush	

	Application	180 mm model	230 mm model
14	Wire brushing	Wire cup brush	
15	Hole cutting	Hole cutter	
16	-	Wheel guard (for cut-off wheel)	
17	Cutting-off	Abrasive cut-off wheel / Diamond wheel	
18	Grinding / Cutting-off	Dual purpose wheel	-
19	-	Inner flange 78 (Australia and New Zealand only) *3	
20	-	Outer flange 78 (Australia and New Zealand only) *3	
21	-	Side grip for dust collecting wheel guard *4	
22	-	Dust collecting wheel guard for cutting-off *4*5	
23	Cutting-off	Diamond wheel	
24	-	Dust collecting wheel guard for grinding *6	
25	Grinding	Cup-type diamond wheel *6	
-	-	Lock nut wrench	
-	-	Dust cover attachment	

**NOTE:** \*1 Do not use Super flange and Ezynut together.

**NOTE:** \*2 Only for tools with M14 spindle thread.

**NOTE:** \*3 Use Inner flange 78 and Outer flange 78 together. (Australia and New Zealand only)

**NOTE:** \*4 Use the Side grip for dust collecting wheel guard and the Dust collecting wheel guard for cutting-off together.

**NOTE:** \*5 For more details, refer to each instruction manual of the guard.

**NOTE:** \*6 Only for model GA7020S / GA9020S

For more details, refer to each instruction manual of the guard.

## OPTIONAL ACCESSORIES

**CAUTION:** These accessories or attachments are recommended for use with your Makita tool specified in this manual. The use of any other accessories or attachments might present a risk of injury to persons. Only use accessory or attachment for its stated purpose.

If you need any assistance for more details regarding these accessories, ask your local Makita Service Center.

- Accessories listed in "COMBINATION OF APPLICATIONS AND ACCESSORIES"

**NOTE:** Some items in the list may be included in the tool package as standard accessories. They may differ from country to country.






## DANE TECHNICZNE

Model:		GA7020 / GA7020Y	GA7020S	GA7021	GA9020 / GA9020Y	GA9020S
Możliwa do zastosowania ściernica szlifierska	Maks. średnica ściernicy	180 mm			230 mm	
	Maks. grubość ściernicy	7,2 mm			6,5 mm	
Możliwa do zastosowania ściernica tnąca	Maks. średnica ściernicy	180 mm			230 mm	
	Maks. grubość ściernicy	4,0 mm			3,2 mm	
Możliwa do zastosowania druciana szczotka tarczowa	Maks. średnica ściernicy	150 mm			175 mm	
	Maks. grubość ściernicy	20 mm				
Gwint wrzeciona		M14 lub M16 lub 5/8" (w zależności od kraju)				
Maks. długość wrzeciona		26 mm				
Prędkość bez obciążenia (n <sub>0</sub> ) / Prędkość znamionowa (n)		8 500 min <sup>-1</sup>		6 600 min <sup>-1</sup>		
Długość całkowita		473 mm				
Ciężar netto		5,6–7,8 kg	5,7–7,9 kg	5,6–7,8 kg	5,8–7,9 kg	5,8–8,0 kg
Klasa bezpieczeństwa		□/II				

- W związku ze stale prowadzonym przez naszą firmę programem badawczo-rozwojowym niniejsze dane mogą ulec zmianom bez wcześniejszego powiadomienia.
- Dane techniczne mogą różnić się w zależności od kraju.
- Wysokość może być różna w zależności od osprzętu. W tabeli została przedstawiona najniższa i najwyższa konfiguracja zgodnie z procedurą EPTA 01/2014.

### Symbole

Poniżej pokazano symbole, jakie mogą być zastosowane na urządzeniu. Przed rozpoczęciem użytkowania należy zapoznać się z ich znaczeniem.

	Przeczytać instrukcję obsługi.
	Nosić okulary ochronne.
	Obsługiwać zawsze obiema rękami.
	Nie należy używać osłony ściernicy podczas cięcia.
	PODWÓJNA IZOLACJA



Dotyczy tylko państw UE

Z uwagi na obecność w sprzęcie niebezpiecznych składników, zużyty sprzęt elektryczny i elektroniczny może powodować negatywny wpływ na środowisko i zdrowie ludzi.

Nie wyrzucaj urządzeń elektrycznych i elektronicznych wraz z odpadami z gospodarstwa domowego!

Zgodnie z Europejską Dyrektywą w sprawie zużytego sprzętu elektrycznego i elektronicznego oraz dostosowaniem jej do prawa krajowego, zużyte urządzenia elektryczne i elektroniczne należy składować osobno i przekazywać do punktu selektywnej zbiórki odpadów komunalnych, działającego zgodnie z przepisami dotyczącymi ochrony środowiska. Informuje o tym symbol przekreślonego kołowego kontenera na odpady umieszczony na sprzęcie.

### Przeznaczenie

Omawiane narzędzie jest przeznaczone do szlifowania, czyszczenia szczotką drucianą, cięcia otworów i cięcia materiałów metalowych i kamiennych bez użycia wody.

### Zasilanie

Narzędzie wolno podłączać tylko do źródeł zasilania o napięciu zgodnym z napięciem podanym na tabliczce znamionowej. Można je zasilać wyłącznie jednofazowym prądem przemiennym. Narzędzie ma podwójną izolację, dlatego też można je zasilać z gniazda elektrycznego bez uziemienia.

## Dotyczy niskonapięciowych sieci elektroenergetycznych o napięciu pomiędzy 220 V a 250 V

Włączanie i wyłączanie urządzeń elektrycznych powoduje wahania napięcia. Posługiwanie się narzędziem przy niesprzyjających parametrach zasilania może mieć niekorzystny wpływ na działanie innych urządzeń. Jeśli impedancja sieci elektrycznej jest mniejsza lub równa  $0,27 \Omega$  można założyć, że niekorzystne efekty nie wystąpią. Gniazdo sieciowe używane do podłączenia tego urządzenia powinno być zabezpieczone bezpiecznikiem lub wyłącznikiem o zwłocznej charakterystyce wyłączania.

## Hałas

Typowy równoważny poziom dźwięku A określony w oparciu o normę EN62841-2-3:

Model	Poziom ciśnienia akustycznego ( $L_{pA}$ ): (dB(A))	Poziom mocy akustycznej ( $L_{WA}$ ): (dB(A))	Niepewność (K): (dB(A))
GA7020 / GA7020Y	92	100	3
GA7020S	92	100	3
GA7021	92	100	3
GA9020 / GA9020Y	92	100	3
GA9020S	92	100	3

**WSKAZÓWKA:** Deklarowana wartość emisji hałasu została zmierzona zgodnie ze standardową metodą testową i można ją wykorzystać do porównywania narzędzi.

**WSKAZÓWKA:** Deklarowaną wartość emisji hałasu można także wykorzystać we wstępnej ocenie narażenia.

**⚠️ OSTRZEŻENIE:** Nosić ochronniki słuchu.

**⚠️ OSTRZEŻENIE:** Poziom hałas wytwarzanego podczas rzeczywistego użytkowania elektronarzędzia może się różnić od wartości deklarowanej w zależności od sposobu użytkowania narzędzia, a w szczególności od rodzaju obrabianego elementu.

**⚠️ OSTRZEŻENIE:** W oparciu o szacowane narażenie w rzeczywistych warunkach użytkowania należy określić środki bezpieczeństwa w celu zapewnienia ochrony operatora (uwzględniając wszystkie elementy cyklu działania, tj. czas, kiedy narzędzie jest wyłączone i kiedy pracuje na biegu jałowym, a także czas, kiedy jest włączone).

**⚠️ OSTRZEŻENIE:** Szlifowanie cienkich arkuszy metalu lub innych konstrukcji o dużej powierzchni, które łatwo ulegają wibracjom, może spowodować, że łączna emisja hałasu przekroczy deklarowaną wartość emisji hałasu (maks. 15 dB).

W przypadku obrabianych elementów tego typu należy zastosować maty tłumiące o dużej elastyczności itp., aby zapobiec emisji dźwięku.

Zwiększoną emisję hałasu należy uwzględnić podczas oceny ryzyka narażenia na hałas oraz wyboru odpowiedniej ochrony słuchu.

## Drgania

Całkowita wartość poziomu drgań (suma wektorów w 3 osiach) określona zgodnie z normą EN62841-2-3:

**Tryb pracy:** szlifowanie powierzchni ze standardowym uchwytem bocznym

Model	Emisja drgań ( $a_{h, A0}$ ): ( $m/s^2$ )	Niepewność (K): ( $m/s^2$ )
GA7020 / GA7020Y	8,5	1,5
GA7020S	8,5	1,5
GA7021	5,0	1,5
GA9020 / GA9020Y	5,5	1,5
GA9020S	5,5	1,5

## Tryb pracy: szlifowanie powierzchni z antywiibracyjnym uchwytem bocznym

Model	Emisja drgań ( $a_{hv, AaG}$ ): ( $m/s^2$ )	Niepełność (K): ( $m/s^2$ )
GA7020 / GA7020Y	8,0	1,5
GA7020S	8,0	1,5
GA7021	4,5	1,5
GA9020 / GA9020Y	5,5	1,5
GA9020S	5,5	1,5

## Tryb pracy: szlifowanie krążkami ściernymi ze standardowym uchwytem bocznym

Model	Emisja drgań ( $a_{hv, DSG}$ ): ( $m/s^2$ )	Niepełność (K): ( $m/s^2$ )
GA7020 / GA7020Y	2,5	1,5
GA7020S	2,5	1,5
GA7021	2,5 $m/s^2$ lub mniej	1,5
GA9020 / GA9020Y	2,5 $m/s^2$ lub mniej	1,5
GA9020S	2,5 $m/s^2$ lub mniej	1,5

## Tryb pracy: szlifowanie krążkami ściernymi z antywiibracyjnym uchwytem bocznym

Model	Emisja drgań ( $a_{hv, DSG}$ ): ( $m/s^2$ )	Niepełność (K): ( $m/s^2$ )
GA7020 / GA7020Y	2,5	1,5
GA7020S	2,5	1,5
GA7021	2,5 $m/s^2$ lub mniej	1,5
GA9020 / GA9020Y	2,5 $m/s^2$ lub mniej	1,5
GA9020S	2,5 $m/s^2$ lub mniej	1,5

**WSKAZÓWKA:** Deklarowana wartość poziomu drgań została zmierzona zgodnie ze standardową metodą testową i można ją wykorzystać do porównywania narzędzi.

**WSKAZÓWKA:** Deklarowaną wartość poziomu drgań można także wykorzystać we wstępnej ocenie narażenia.

**⚠ OSTRZEŻENIE:** Drgania wytwarzane podczas rzeczywistego użytkowania elektronarzędzia mogą się różnić od wartości deklarowanej w zależności od sposobu użytkowania narzędzia, a w szczególności od rodzaju obrabianego elementu.

**⚠ OSTRZEŻENIE:** W oparciu o szacowane narażenie w rzeczywistych warunkach użytkowania należy określić środki bezpieczeństwa w celu zapewnienia ochrony operatora (uwzględniając wszystkie elementy cyklu działania, tj. czas, kiedy narzędzie jest włączane i kiedy pracuje na biegu jałowym, a także czas, kiedy jest włączone).

**⚠ OSTRZEŻENIE:** Deklarowaną wartość emisji drgań stosuje się do głównych zastosowań elektronarzędzia. Jeśli jednak elektronarzędzie będzie wykorzystywane do innych zastosowań, wartość emisji drgań może być inna.

## Deklaracja zgodności WE

### Dotyczy tylko krajów europejskich

Deklaracja zgodności WE jest dołączona jako załącznik A do niniejszej instrukcji obsługi.

## OSTRZEŻENIA DOTYCZĄCE BEZPIECZEŃSTWA

### Ogólne zasady bezpiecznej eksploatacji elektronarzędzia

**⚠ OSTRZEŻENIE** Należy zapoznać się z wszystkimi ostrzeżeniami dotyczącymi bezpieczeństwa, instrukcjami, ilustracjami i danymi technicznymi dołączonymi do tego elektronarzędzia. Niezastosowanie się do wszystkich podanych poniżej instrukcji może prowadzić do porażenia prądem elektrycznym, pożaru i/lub poważnych obrażeń ciała.

## Wszystkie ostrzeżenia i instrukcje należy zachować do wykorzystania w przyszłości.

Pojęcie „elektronarzędzie”, występujące w wymienionych tu ostrzeżeniach, odnosi się do elektronarzędzia zasilanego z sieci elektrycznej (z przewodem zasilającym) lub do elektronarzędzia akumulatorowego (bez przewodu zasilającego).

### Ostrzeżenia dotyczące bezpieczeństwa dla szlifierki

Ostrzeżenia dotyczące bezpieczeństwa podczas operacji szlifowania, czyszczenia powierzchni szczotką drucianą lub cięcia:

1. Opisywane elektronarzędzie jest przeznaczone do szlifowania, czyszczenia powierzchni szczotką drucianą, wycinania otworów i cięcia. Należy zapoznać się z wszystkimi ostrzeżeniami dotyczącymi bezpieczeństwa, instrukcjami, ilustracjami i danymi technicznymi dołączonymi do tego elektronarzędzia. Niezastosowanie się do podanych poniżej instrukcji może prowadzić do porażenia prądem, pożaru i/lub poważnych obrażeń ciała.

2. **Niniejszego elektronarzędzia nie należy używać do wykonywania takich operacji jak polewanie.** Operacje, do których elektronarzędzie nie jest przeznaczone, mogą stwarzać zagrożenie i spowodować obrażenia ciała.
  3. **Nie należy przerabiać tego elektronarzędzia w celu korzystania z niego w sposób, który byłby niezgodny z jego przeznaczeniem i wskazaniami producenta.** Taka przeróbka może skutkować utratą kontroli i poważnymi obrażeniami ciała.
  4. **Nie używać akcesoriów, które nie są przeznaczone dla tego narzędzia i które nie zostały wskazane przez producenta narzędzia.** Sam fakt, że dane akcesorium można zamocować do posiadanego elektronarzędzia, nie gwarantuje bezpiecznej pracy.
  5. **Prędkość znamionowa akcesorium powinna być przynajmniej równa maksymalnej prędkości podanej na elektronarzędziu.** Akcesoria pracujące przy większej prędkości niż ich prędkość znamionowa mogą pęknąć i rozpaść się na kawałki.
  6. **Zewnętrzna średnica i grubość akcesorium musi mieścić się w zakresie dopuszczalnym dla tego elektronarzędzia.** Nie można zapewnić prawidłowej osłony i kontroli akcesoriów o niewłaściwym rozmiarze.
  7. **Wymiary elementów mocujących akcesorium muszą odpowiadać wymiarom uchwytu mocującego w elektronarzędziu.** Akcesoria, które nie są dopasowane do uchwytu mocującego w elektronarzędziu, będą niewyważone podczas pracy, co spowoduje nadmierne drgania i ryzyko utraty kontroli nad narzędziem.
  8. **Nie używać uszkodzonego akcesorium.** Przed każdorazowym użyciem akcesoria, np. ściernice, należy skontrolować pod kątem ubytków lub pęknięć, talerz mocujący należy skontrolować pod kątem pęknięć, uszkodzeń lub nadmiernej zużycia, a szczotki druciane pod kątem luźnych lub popękanych drutów. W przypadku upuszczenia elektronarzędzia lub akcesorium należy upewnić się, że nie doszło do uszkodzenia, lub zamontować nieuszkodzone akcesorium. Po sprawdzeniu bądź zamontowaniu akcesorium należy stanąć w taki sposób i tak ustawić narzędzie, aby nikt nie znajdował się w płaszczyźnie obrotu akcesorium, po czym na jedną minutę uruchomić elektronarzędzie z maksymalną prędkością bez obciążenia. Uszkodzone akcesorium zazwyczaj rozpadnie się podczas takiej próby.
  9. **Używać środków ochrony osobistej. W zależności od wykonywanej pracy należy używać osłony twarzy, gogli lub okularów ochronnych. W miarę potrzeb zakładać maskę przeciwpyłową, ochronniki słuchu, rękawice i fartuch, który zatrzyma drobne fragmenty materiału ściernego i obrabianego przedmiotu.** Używane środki ochrony oczu muszą zatrzymywać unoszące się w powietrzu drobinę materiału, które powstają w przypadku różnych zastosowań. Używana maska przeciwpyłowa lub oddechowa musi filtrować cząsteczki, które powstają podczas wykonywania danej pracy. Przebywanie przez dłuższy czas w halasie o dużym natężeniu może spowodować utratę słuchu.
  10. **Zadbać o to, by osoby postronne pozostawały w bezpiecznej odległości od miejsca pracy. Każdy, kto wchodzi do obszaru roboczego, musi używać środków ochrony osobistej.** Fragmenty materiału z obrabianego elementu lub pękniętego akcesorium mogą zostać odrzucone na dużą odległość i spowodować obrażenia poza bezpośrednim obszarem roboczym.
  11. **Trzymać elektronarzędzie za izolowane powierzchnie rękojeści podczas wykonywania prac, przy których akcesorium tnące może dotknąć niewidocznej instalacji elektrycznej.** Zetknięcie akcesorium tnącego z przewodem elektrycznym znajdującym się pod napięciem może spowodować, że odsłonięte elementy metalowe elektronarzędzia również znajdą się pod napięciem, grożąc porażeniem operatorem prądem elektrycznym.
  12. **Przewód należy trzymać w bezpiecznej odległości od wirującego akcesorium.** W przypadku utraty kontroli przewód może zostać przecięty lub wkręcony, wciągając dłoń lub rękę w wirujące akcesorium.
  13. **Nie wolno odkładać elektronarzędzia, dopóki zamontowane akcesorium całkowicie się nie zatrzyma.** Wirujące akcesorium może zahaczyć o powierzchnię i wyrwać elektronarzędzie z ręki.
  14. **Uruchomionego elektronarzędzia nie wolno przenosić z miejsca na miejsce.** Przypadkowy kontakt z wirującym akcesorium może spowodować zahaczenie ubrania i obrażenia ciała.
  15. **Otwory wentylacyjne elektronarzędzia należy regularnie czyścić.** Wentylator silnika wciąga do wnętrza obudowy pył. Zbyt duże nagromadzenie metalowych drobin stwarza zagrożenia elektryczne.
  16. **Nie używać elektronarzędzia w pobliżu materiałów łatwopalnych.** Iskry mogą spowodować zapłon takich materiałów.
  17. **Nie używać akcesorium, które wymaga stosowania ciekłego chłodziwa.** Użycie wody lub innych ciekłych chłodziw może spowodować porażenie prądem, także śmiertelne.
- Odrzut i związane z nim ostrzeżenia:**  
Odrzut to gwałtowna reakcja narzędzia na zakleszczenie lub zahaczenie obracającej się ściernicy, talerza mocującego, szczotki drucianej lub innego rodzaju akcesorium. Zakleszczenie lub zahaczenie powoduje nagle zatrzymanie obracającego się akcesorium, co z kolei prowadzi do niekontrolowanego odrzutu elektronarzędzia w kierunku przeciwnym do kierunku obrotu akcesorium w miejscu zakleszczenia. Przykładowo, jeśli ściernica zahaczy się lub zakleszczy w obrabianym elemencie, jej krawędź w punkcie zakleszczenia może wbić się powierzchnie materiału, powodując wypychanie i odskoczenie narzędzia na zewnątrz elementu. Ściernica może odskoczyć w stronę operatora lub w kierunku przeciwnym, w zależności od kierunku obrotów ściernicy w punkcie zakleszczenia. W takich warunkach może również dojść do pęknięcia ściernicy.  
Odrzut jest wynikiem nieprawidłowego używania elektronarzędzia i/lub niewłaściwych procedur lub warunków jego obsługi. Można tego uniknąć, podejmując odpowiednie środki ostrożności, które podano poniżej.

1. **Przez cały czas należy mocno trzymać elektro-narzędzie oburącz, ustawiając ciało i ramiona w taki sposób, aby przeciwdziałać siłom odrzutu. Zawsze należy korzystać z rękawicej pomocniczej, jeśli jest w zestawie, aby móc w pełni kontrolować odrzut lub reakcję na moment obrotowy podczas rozruchu. Operator może kontrolować reakcje na moment obrotowy lub siły odrzutu w przypadku stosowania odpowiednich środków ostrożności.**
2. **Nie wolno trzymać ręk w pobliżu obracającego się akcesorium. Może bowiem nastąpić odrzut w kierunku ręki.**
3. **Ciało operatora nie powinno znajdować się w obszarze, do którego przemieści się elektronarzędzie w przypadku wystąpienia odrzutu. Odrzut spowoduje wyrzucenie narzędzia w kierunku przeciwnym do kierunku obrotów ściernicy w miejscu zahaczenia.**
4. **Zachować szczególną ostrożność podczas obróbki narożników, ostrych krawędzi itp. Nie dopuszczaj do odskakiwania i zahaczenia się akcesorium. Narożniki, ostre krawędzie lub odskakowanie sprzyjają zahaczeniu obracającego się akcesorium i mogą spowodować utratę kontroli lub odrzut.**
5. **Nie wolno montować do narzędzia tarcz łańcuchowych, tarcz do cięcia drewna, segmentowych tarcz diamentowych ze szczeliną na obwodzie większą niż 10 mm ani zębatych tarcz tnących. Tego typu tarcze często powodują odrzut i utratę kontroli.**

#### Ostrzeżenia dotyczące bezpieczeństwa podczas operacji szlifowania i cięcia:

1. **Używać wyłącznic ściernic przeznaczonych do posiadanego elektronarzędzia oraz specjalnych osłon przeznaczonych do wybranego rodzaju ściernicy. Nie można zapewnić prawidłowej osłony ściernic, do których elektronarzędzie nie jest przeznaczone. Takie ściernice są niebezpieczne.**
2. **Powierzchnia szlifowania ściernic z obniżonymi środkami musi być zamontowana poniżej płaszczyzny krawędzi osłony. Nieprawidłowo zamontowana ściernica, która wystaje poza płaszczyznę krawędzi osłony, nie może być odpowiednio zabezpieczona.**
3. **Osłona powinna być dobrze przymocowana do elektronarzędzia i ustawiona w sposób zapewniający maksimum bezpieczeństwa, tak aby w stronę operatora był skierowany jak najmniejszy fragment odsłoniętej ściernicy. Osłona chroni operatora przed wyrzucenymi odłamkami ściernicy, przypadkowym kontaktem ze ściernicą oraz przed iskrami, które mogłyby zapalić odzież.**
4. **Ściernic należy używać tylko zgodnie z określonym przeznaczeniem. Na przykład: nie wolno szlifować boczną powierzchnią ściernicy tnącej. Ściernice tnące są przeznaczone do szlifowania obwodowego. Siły boczne przyłożone do takich ściernic mogą spowodować ich rozpadnięcie.**
5. **Zawsze używać nieuszkodzonych kołnierzy mocujących o rozmiarze i kształcie właściwie dobranych do wybranego rodzaju ściernicy. Odpowiednie kołnierze mocujące podtrzymują ściernicę, zmniejszając tym samym prawdopodobieństwo jej pęknięcia. Kołnierze do ściernic tnących mogą różnić się od kołnierzy do ściernic szlifarskich.**
6. **Nie używać zużytych ściernic przeznaczonych do większych elektronarzędzi. Ściernica przeznaczona do większych elektronarzędzi nie nadaje się do użytku przy wyższych prędkościach występujących w mniejszych narzędziach i może się rozpaść.**
7. **Podczas korzystania ze ściernic o podwójnym zastosowaniu zawsze należy używać właściwej osłony, przeznaczonej do wykonywanego zadania. Użycie niewłaściwej osłony może nie zapewnić właściwego poziomu ochrony, co może doprowadzić do poważnych obrażeń.**

#### Dodatkowe ostrzeżenia dotyczące bezpieczeństwa podczas operacji cięcia:

1. **Nie wolno doprowadzać do zakleszczenia ściernicy tnącej ani stosować zbyt dużego nacisku. Unikać cięć o zbyt dużej głębokości. Przeciążona ściernica jest bardziej podatna na skrócenie lub zakleszczenie w miejscu cięcia, co stwarza większe prawdopodobieństwo odrzutu lub pęknięcia ściernicy.**
2. **Ciało operatora nie powinno znajdować się w płaszczyźnie obrotu ściernicy ani za obracającą się ściernicą. Gdy ściernica odsuwa się podczas pracy od operatora, ewentualny odrzut może wypchnąć wirującą ściernicę i elektronarzędzie bezpośrednio w kierunku operatora.**
3. **W przypadku zakleszczenia się ściernicy lub przerwania cięcia z jakiegokolwiek powodu należy wyłączyć elektronarzędzie i trzymać je w bezruchu do momentu całkowitego zatrzymania się ściernicy. Nie wolno wyciągać ściernicy tnącej z przecinanego elementu, gdy ściernica znajduje się w ruchu; w przeciwnym razie może wystąpić odrzut. Zbadać przyczynę zakleszczenia się ściernicy i podjąć stosowne działanie, aby wyeliminować ten problem.**
4. **Nie wolno wznawiać cięcia, gdy ściernica znajduje się w przecinanym elemencie. Ściernicę można ponownie włożyć do naciętej szczeliny, dopiero gdy osiągnie pełną prędkość. Jeśli elektronarzędzie zostanie ponownie uruchomione, gdy ściernica znajduje się w przecinanym elemencie, ściernica może się zakleszczyć, wędrować po materiale lub może wystąpić odrzut.**
5. **Duże elementy lub płyty należy podparać, aby zminimalizować ryzyko zakleszczenia ściernicy i wystąpienia odrzutu. Duże elementy mają tendencję do uginania się pod własnym ciężarem. Podpory muszą być umieszczone pod przecinanym elementem w pobliżu linii cięcia oraz w pobliżu krawędzi przecinanego elementu, po obu stronach ściernicy.**
6. **Należy zachować szczególną ostrożność w przypadku wykonywania „cięć wgłębnych” w istniejących ścianach bądź innych zakrytych przestrzeniach. Wystająca ściernica może przeciąć rury sieci gazowej lub wodociągowej, przewody elektryczne lub przedmioty, które z kolei mogą wywołać odrzut.**
7. **Nie należy podejmować próby cięcia krzywoliniowego. Przeciążona ściernica jest bardziej podatna na skrócenie lub zakleszczenie w miejscu cięcia, co stwarza większe prawdopodobieństwo odrzutu lub pęknięcia ściernicy i może doprowadzić do poważnych obrażeń.**

8. Przed użyciem segmentowej tarczy diamentowej należy upewnić się, że szczeliny między segmentami na obwodzie tarczy diamentowej są mniejsze niż 10 mm, a kąt natarcia jest ujemny.

Specjalne ostrzeżenia dotyczące bezpieczeństwa podczas operacji szlifowania:

1. Należy używać krążków papieru ściernego o właściwej wielkości. Przy doborze papieru ściernego należy kierować się zaleceniami producenta. Papier ścierny o zbyt dużych wymiarach, wystający za bardzo poza obręb talerza szlifierskiego, grozi zranieniem i może powodować zaczepianie, rozrywanie krążka lub odrzut.

Specjalne ostrzeżenia dotyczące bezpieczeństwa podczas operacji czyszczenia powierzchni szcztoką drucianą:

1. Należy mieć świadomość, że nawet podczas zwykłej pracy ze szcztoki są wyrzucane kawałki drutów. Nie wolno nadmiernie naprężać drutów przez wywieranie zbyt dużego nacisku na szcztokę. Druty ze szcztoki mogą z łatwością przebić lekkie ubranie i/lub skórę.
2. Jeśli podczas operacji czyszczenia powierzchni szcztoką drucianą wskazane jest używanie osłony, należy uważać, aby szcztoka tarczowa ani druciana nie ocierały o osłonę. Średnica szcztoki tarczowej lub drucianej może podczas pracy ulegać zwiększeniu pod wpływem obciążenia roboczego i sił odśrodkowych.

Dodatkowe ostrzeżenia dotyczące bezpieczeństwa:

1. W przypadku używania ściernic z obniżonymi środkami należy używać wyłącznie ściernic wzmocnionych włóknem szklanym.
2. **NIE WOLNO** używać w tej szlifierce ściernic garkowych. Niniejsza szlifierka nie jest przewidziana do tego rodzaju ściernic i ich używanie może spowodować poważne obrażenia ciała.
3. Uważać, aby nie uszkodzić wrzeciona, kołnierza (zwłaszcza powierzchni odpowiedzialnych za prawidłowy montaż) ani nakrętki zabezpieczającej. Uszkodzenie tych części może stać się przyczyną pęknięcia ściernicy.
4. Przed włączeniem przełącznika należy się upewnić, że ściernica nie dotyka obrabianego elementu.
5. Przed rozpoczęciem obróbki danego elementu pozwolić, aby urządzenie popracowało przez chwilę bez obciążenia. Zwracać uwagę na ewentualne drgania lub bicie osiowe, które mogą wskazywać na nieprawidłowe zamocowanie lub niedokładne wyważenie ściernicy.
6. Podczas szlifowania używać określonej powierzchni ściernicy.
7. Nie pozostawiać włączonego narzędzia. Narzędzie można uruchomić tylko, gdy jest trzymane w rękach.
8. Nie dotykać elementu obrabianego od razu po zakończeniu danej operacji; może być on bardzo gorący i spowodować oparzenie skóry.
9. Nie dotykać akcesoriów od razu po zakończeniu danej operacji; mogą być one bardzo gorące i spowodować oparzenie skóry.
10. Przestrzegać instrukcji producenta w zakresie mocowania i użytkowania ściernic. Ściernice przechowywać i obchodzić się z nimi z dbałością.

11. Nie wolno używać oddzielnych tulei redukcyjnych ani elementów pośrednich w celu zamocowania ściernicy o dużym otworze wewnętrznym.
12. Używać wyłącznie kołnierzy przeznaczonych do tego narzędzia.
13. W przypadku narzędzi współpracujących ze ściernicami z nagwintowanym otworem należy sprawdzić, czy długość gwintu w ściernicy jest wystarczająca, aby wkręcić wrzeciono na całą długość.
14. Sprawdzić, czy obrabiany element jest dobrze podparty.
15. Należy pamiętać, że po wyłączeniu narzędzia ściernica nadal się obraca.
16. Jeśli w miejscu pracy panuje wyjątkowo wysoka temperatura i wilgotność albo występuje silnie zanieczyszczone przewodzącym pyłem, należy zastosować wyłącznik (30 mA), aby zapewnić operatorowi bezpieczeństwo.
17. Nie wolno używać tego narzędzia do obróbki materiałów zawierających azbest.
18. W przypadku używania ściernicy tnącej należy zawsze stosować osłonę do odsysania pyłu wymaganą przez obowiązujące przepisy krajowe.
19. Na ściernicy tnącej nie wolno wywierać nacisku poprzecznego.
20. Podczas pracy nie należy używać materiałowych rękawic roboczych. Włókna z rękawic materiałowych mogą zostać pochwycone przez narzędzie, co może spowodować uszkodzenie narzędzia.
21. Przed rozpoczęciem pracy należy się upewnić, czy w obrabianym elemencie nie ma ukrytych obiektów, takich jak na przykład przewody elektryczne, instalacja wodna lub gazowa. W przeciwnym razie może dojść do porażenia elektrycznego, upływu prądu elektrycznego lub wycieku gazu.
22. Jeśli do ściernicy przymocowana jest przekładka, nie należy jej usuwać. Średnica przekładki musi być większa niż nakrętki zabezpieczającej, zewnętrznego kołnierza i kołnierza wewnętrznego.
23. Przed zainstalowaniem tarczy ściernej zawsze należy sprawdzić, czy na przekładce nie występują nieprawidłowości, takie jak wióry lub pęknięcia.
24. Należy dokładnie dokręcić nakrętkę zabezpieczającą. Zbyt mocne dokręcenie tarczy może doprowadzić do pęknięcia, a zbyt słabe do wibracji.

## ZACHOWAĆ NINIEJSZĄ INSTRUKCJĘ.

**⚠️ OSTRZEŻENIE:** NIE WOLNO pozwolić, aby wygoda lub rutyna (nabyta w wyniku wielokrotnego używania urządzenia) zastąpiły ściśle przestrzeganie zasad bezpieczeństwa obsługi. **NIEWŁAŚCIWE UŻYTKOWANIE** narzędzia lub niestosowanie się do zasad bezpieczeństwa podanych w niniejszej instrukcji obsługi może prowadzić do poważnych obrażeń ciała.



## OPIS DZIAŁANIA

**⚠ PRZESTROGA:** Przed rozpoczęciem regulacji lub sprawdzeniem działania narzędzia należy upewnić się, że jest ono wyłączone i nie podłączone do sieci.

### Blokada wałka

**⚠ OSTRZEŻENIE:** Nie wolno włączać blokady wałka, gdy wrzeczono jest w ruchu. Może to spowodować poważne obrażenia ciała lub uszkodzenie narzędzia.

Przed przystąpieniem do zakładania bądź zdejmowania osprzętu należy nacisnąć blokadę wałka, aby unieruchomić wrzeczono.

► **Rys.1:** 1. Blokada wałka

### Działanie przełącznika

**⚠ PRZESTROGA:** Przed podłączeniem narzędzia do zasilania należy zawsze sprawdzić, czy spust przełącznika działa prawidłowo oraz czy wraca do położenia wyłączenia po zwolnieniu.

**⚠ PRZESTROGA:** Należy pamiętać o wyłączeniu narzędzia w przypadku zaniku zasilania lub jego przypadkowego odłączenia, np. w wyniku wyciągnięcia wtyczki z gniazda. W innym przypadku narzędzie może niespodziewanie się uruchomić po przywróceniu zasilania i spowodować wypadek lub obrażenia ciała.

Możliwe są trzy schematy działania przełącznika w zależności od kraju.

► **Rys.2:** 1. Spust przełącznika 2. Dźwignia blokady

## Narzędzia z przełącznikiem blokowanym w położeniu włączenia

*W zależności od kraju*

**⚠ PRZESTROGA:** W celu ułatwienia obsługi i dla wygody operatora podczas długotrwałej pracy z użyciem narzędzia przełącznik można zablokować w pozycji włączonej. Podczas pracy z przełącznikiem zablokowanym w pozycji włączonej należy zachować ostrożność i pewnie trzymać narzędzie.

W celu uruchomienia narzędzia wystarczy pociągnąć spust przełącznika (w kierunku B). W celu wyłączenia wystarczy zwolnić spust przełącznika.

Aby włączyć tryb pracy ciągłej, należy pociągnąć spust przełącznika (w kierunku B), a następnie nacisnąć dźwignię blokady (w kierunku A).

Aby wyłączyć narzędzie po wybraniu trybu pracy ciągłej, należy pociągnąć do końca spust przełącznika (w kierunku B), a następnie go zwolnić.

## Narzędzia z przełącznikiem blokowanym w położeniu wyłączenia

*W zależności od kraju (w tym Australia i Nowa Zelandia)*

Aby nie dopuścić do przypadkowego pociągnięcia spustu przełącznika, narzędzie jest wyposażone w dźwignię blokady.

Aby uruchomić narzędzie, należy wcisnąć dźwignię blokady (w kierunku A), a następnie pociągnąć za spust przełącznika (w kierunku B). W celu wyłączenia wystarczy zwolnić spust przełącznika.

**UWAGA:** Nie ciągnąć na siłę spustu przełącznika bez wcześniejszego naciśnięcia dźwigni blokady. Można w ten sposób złamać przełącznik.

## Narzędzia z przełącznikiem blokowanym w położeniu włączenia i wyłączenia

*W zależności od kraju*

**⚠ PRZESTROGA:** W celu ułatwienia obsługi i dla wygody operatora podczas długotrwałej pracy z użyciem narzędzia przełącznik można zablokować w pozycji włączonej. Podczas pracy z przełącznikiem zablokowanym w pozycji włączonej należy zachować ostrożność i pewnie trzymać narzędzie.

Aby nie dopuścić do przypadkowego pociągnięcia spustu przełącznika, narzędzie jest wyposażone w dźwignię blokady.

Aby uruchomić narzędzie, należy wcisnąć dźwignię blokady (w kierunku A), a następnie pociągnąć za spust przełącznika (w kierunku B). W celu wyłączenia wystarczy zwolnić spust przełącznika.

Aby włączyć tryb pracy ciągłej, należy wcisnąć dźwignię blokady (w kierunku A), pociągnąć za spust przełącznika (w kierunku B), a następnie przesunąć dźwignię blokady dalej (w kierunku A).

Aby wyłączyć narzędzie po wybraniu trybu pracy ciągłej, należy pociągnąć do końca spust przełącznika (w kierunku B), a następnie go zwolnić.

**UWAGA:** Nie ciągnąć na siłę spustu przełącznika bez wcześniejszego naciśnięcia dźwigni blokady. Można w ten sposób złamać przełącznik.

## Funkcja łagodnego rozruchu

*Dotyczy tylko modelu GA7020S / GA9020S*

Funkcja łagodnego rozruchu niweluje występowanie wstrząsu przy rozruchu.

# MONTAŻ

**▲ PRZESTROGA:** Przed wykonywaniem jakichkolwiek prac przy narzędziu należy upewnić się, że jest ono wyłączone i odłączone od zasilania.

## Zakładanie uchwytu bocznego (rękojeści)

**▲ PRZESTROGA:** Przed uruchomieniem należy zawsze sprawdzić, czy uchwyt boczny jest dobrze zamontowany.

**▲ PRZESTROGA:** Uchwyt boczny można zamontować w 3 otworach. Uchwyt boczny należy zamontować w jednym z tych otworów, odpowiednio do wykonywanej pracy.

Uchwyt boczny należy dobrze przykręcić w odpowiednim miejscu narzędzia, jak pokazano na rysunku.

► Rys.3

## Zakładanie lub zdejmowanie osłony ściernicy (ściernicy z obniżonym środkiem, ściernicy lamelkowej, ściernicy elastycznej, drucianej szczotki tarczowej / ściernicy tnącej, tarczy diamentowej)

**▲ OSTRZEŻENIE:** W przypadku używania ściernicy z obniżonym środkiem, ściernicy lamelkowej, ściernicy elastycznej lub drucianej szczotki tarczowej osłonę ściernicy należy zamontować na narzędziu w taki sposób, aby jej zamknięta część była zawsze zwrócona w stronę operatora.

**▲ OSTRZEŻENIE:** W przypadku używania ściernicy tnącej / tarczy diamentowej należy używać wyłącznie specjalnej osłony przeznaczonej do tego typu ściernic.

## Narzędzie z osłoną ściernicy wyposażoną w śrubę zabezpieczającą

Zamontować osłonę ściernicy, tak aby występy na kołnierzu osłony ściernicy pokrywały się z wycięciami w obudowie łożyska. Następnie obrócić osłonę ściernicy o taki kąt, aby zapewniała bezpieczeństwo operatora podczas pracy. Pamiętać o mocnym dokręceniu śruby. Aby zdjąć osłonę ściernicy, należy wykonać czynności procedury zamontowania w odwrotnej kolejności.

► Rys.4: 1. Osłona ściernicy 2. Obudowa łożyska 3. Śruba

## Narzędzie z osłoną ściernicy wyposażoną w dźwignię zaciskową

Poluzować nakrętkę, a następnie pociągnąć dźwignię w kierunku wskaazywanym strzałką.

► Rys.5: 1. Nakrętka 2. Dźwignia

Zamontować osłonę ściernicy, tak aby występy na kołnierzu osłony ściernicy pokrywały się z wycięciami w obudowie łożyska. Następnie obrócić osłonę ściernicy o taki kąt, aby zapewniała bezpieczeństwo operatora podczas pracy.

► Rys.6: 1. Osłona ściernicy 2. Obudowa łożyska

► Rys.7: 1. Osłona ściernicy

Dokładnie dokręcić nakrętkę, używając klucza, a następnie zamknąć dźwignię w kierunku wskaazywanym strzałką, aby zamocować osłonę ściernicy. Jeśli dźwignia jest zbyt mocno dociśnięta lub ustawiona zbyt luźno, należy otworzyć dźwignię i poluzować lub dokręcić nakrętkę za pomocą klucza, aby wyregulować dokręcenie kołnierza osłony ściernicy.

► Rys.8: 1. Nakrętka 2. Dźwignia

Aby zdjąć osłonę ściernicy, należy wykonać czynności procedury zamontowania w odwrotnej kolejności.

## Zakładanie i zdejmowanie ściernicy z obniżonym środkiem lub ściernicy lamelkowej

### Akcesoria opcjonalne

**▲ OSTRZEŻENIE:** W przypadku używania ściernicy z obniżonym środkiem lub ściernicy lamelkowej osłonę ściernicy należy zamontować na narzędziu w taki sposób, aby jej zamknięta część była zawsze zwrócona w stronę operatora.

**▲ OSTRZEŻENIE:** Upewnić się, że część mocująca kołnierza wewnętrznego pasuje idealnie do wewnętrznej średnicy ściernicy z obniżonym środkiem / ściernicy lamelkowej. Założenie kołnierza wewnętrznego po niewłaściwej stronie może spowodować wystąpienie niebezpiecznych wibracji.

Założyć kołnierza wewnętrznego na wrzeciono.

Upewnić się, że część kołnierza wewnętrznego z wcięciem jest dopasowana do prostej części na spodzie wrzeciona.

Założyć ściernicę/tarczę na kołnierza wewnętrznego i przykręcić nakrętką zabezpieczającą w taki sposób, aby wystająca część była skierowana w górę.

► Rys.9: 1. Nakrętka zabezpieczająca 2. Ściernica z obniżonym środkiem 3. Kołnierza wewnętrzny 4. Część mocowania

W celu dokręcenia nakrętki zabezpieczającej należy mocno docisnąć blokadę wałka, aby unieruchomić wrzeciono, a następnie mocno dokręcić w prawo nakrętkę zabezpieczającą kluczem.

► Rys.10: 1. Klucz do nakrętek zabezpieczających 2. Blokada wałka

Aby zdjąć ściernicę, należy wykonać czynności procedury zamontowania w odwrotnej kolejności.

## Zakładanie lub zdejmowanie ściernicy elastycznej

### Akcesoria opcjonalne

**⚠️ OSTRZEŻENIE:** W przypadku zamontowania na narzędziu ściernicy elastycznej należy zawsze używać dostarczonej osłony. Ściernica może się rozpaść podczas użytkowania, zaś osłona ogranicza ryzyko obrażeń ciała.

► **Rys.11:** 1. Nakrętka zabezpieczająca 2. Ściernica elastyczna 3. Tarcza oporowa 4. Kołnierz wewnętrzny

Należy przestrzegać instrukcji dotyczących ściernicy z obniżonym środkiem, pamiętając również o umieszczeniu na ściernicy tarczy oporowej.

## Zakładanie lub zdejmowanie krążków ściernych

### Akcesoria opcjonalne

► **Rys.12:** 1. Nakrętka zabezpieczająca krążek ścierny 2. Krążek ścierny 3. Gumowy talerz szlifierski

1. Zamontować gumowy talerz szlifierski na wrzecionie.
2. Umieścić krążek na gumowym talerzu szlifierskim i nakręcić nakrętkę zabezpieczającą krążek ścierny na wrzecionie.
3. Unieruchomić wrzeciono za pomocą blokady wałka i mocno dokręcić nakrętkę zabezpieczającą krążek ścierny w prawą stronę kluczem do nakrętek zabezpieczających.

Abym zdjąć krążek ścierny, należy wykonać czynności procedury zamontowania w odwrotnej kolejności.

**WSKAZÓWKA:** Należy używać wyłącznie osprzętu do szlifierek określonego w niniejszej instrukcji. Osprzęt ten należy nabyć oddzielnie.

## Super podkładka

### Akcesoria opcjonalne

Super podkładka to akcesorium specjalne dla modelu, który NIE jest wyposażony w funkcję hamulca. Modele oznaczone literą F są standardowo wyposażone w super podkładkę. Odkręcenie nakrętki zabezpieczającej wymaga użycia tylko 1/3 siły w porównaniu z konwencjonalnym kołnierzem.

## Zakładanie i zdejmowanie nakrętki Ezynut

### Akcesoria opcjonalne

Tylko dla narzędzi z gwintem wrzeciona M14.

**⚠️ PRZESTROGA:** Nie należy używać nakrętki Ezynut z super podkładką. Te podkładki są tak grube, że zamocowanie we wrzecionie całego gwintu jest niemożliwe.

Należy zamontować wewnętrzny kołnierz, ściernicę oraz nakrętkę Ezynut we wrzecionie, tak aby logo Makita na nakrętce Ezynut było skierowane na zewnątrz.

► **Rys.13:** 1. Nakrętka Ezynut 2. Ściernica 3. Kołnierz wewnętrzny 4. Wrzeciono

W sposób pewny należy docisnąć blokadę wałka i dokręcić nakrętkę Ezynut, obracając ściernicę maksymalnie w prawo.

► **Rys.14:** 1. Blokada wałka

Abym poluzować nakrętkę Ezynut, należy obrócić zewnętrzny pierścień nakrętki Ezynut w lewo.

**WSKAZÓWKA:** Nakrętkę Ezynut można poluzować ręcznie, jeśli strzałka wskazuje wycięcie. W przeciwnym razie do poluzowania wymagany jest klucz do nakrętki zabezpieczającej. Włożyć końcówkę klucza w otwór i przekręcić nakrętkę Ezynut w lewo.

► **Rys.15:** 1. Strzałka 2. Wycięcie

► **Rys.16**

## Zakładanie ściernicy tnącej / tarczy diamentowej

### Akcesoria opcjonalne

**⚠️ OSTRZEŻENIE:** W przypadku używania ściernicy tnącej / tarczy diamentowej należy używać wyłącznie specjalnej osłony przeznaczonej do tego typu ściernic.

**⚠️ OSTRZEŻENIE:** Ściernicy tnącej NIE WOLNO używać do szlifowania bocznego.

Założyć kołnierz wewnętrzny na wrzeciono.

Założyć ściernicę/tarczę na kołnierz wewnętrzny i przykręcić nakrętkę zabezpieczającą do wrzeciona.

► **Rys.17:** 1. Nakrętka zabezpieczająca 2. Ściernica tnąca / tarcza diamentowa 3. Kołnierz wewnętrzny 4. Osłona ściernicy tnącej / tarczy diamentowej

### Dotyczy Australii i Nowej Zelandii

► **Rys.18:** 1. Nakrętka zabezpieczająca 2. Kołnierz zewnętrzny 78 3. Ściernica tnąca / tarcza diamentowa 4. Kołnierz wewnętrzny 78 5. Osłona ściernicy tnącej / tarczy diamentowej

## Montaż drucianej szczotki garnkowej

### Akcesoria opcjonalne

**⚠️ PRZESTROGA:** Nie wolno używać szczotki, która jest uszkodzona lub niewyważona. Używanie uszkodzonej szczotki mogłoby zwiększyć ryzyko odniesienia obrażeń w kontakcie z połamanyymi drutami szczotki.

Należy ustawić narzędzie „do góry nogami”, aby można było łatwo uzyskać dostęp do wrzeciona.

Zdjąć ewentualny osprzęt z wrzeciona. Nakręcić drucianą szczotkę garnkową na wrzeciono i dokręcić dołączonym kluczem.

► **Rys.19:** 1. Druciana szczotka garnkowa

## Montaż drucianej szczotki tarczowej

### Akcesoria opcjonalne

**⚠ PRZESTROGA:** Nie wolno używać drucianej szczotki tarczowej, która jest uszkodzona lub niewyważona. Używanie uszkodzonej drucianej szczotki tarczowej mogłoby zwiększyć ryzyko odniesienia obrażeń w kontakcie z polamanymi drutami szczotki.

**⚠ PRZESTROGA:** ZAWSZE należy stosować osłonę drucianej szczotki tarczowej, upewniając się, że jej średnica mieści się w osłonie. Ściernica może się rozpaść podczas użytkowania, zaś osłona ogranicza ryzyko obrażeń ciała.

Należy ustawić narzędzie „do góry nogami”, aby można było łatwo uzyskać dostęp do wrzeciona.

Zdjąć ewentualny osprzęt z wrzeciona. Nakręcić drucianą szczotkę tarczową na wrzeciono i dokręcić za pomocą kluczy.

► **Rys.20:** 1. Druciana szczotka tarczowa

## Zakładanie przecinarki do otworów

### Akcesoria opcjonalne

Należy ustawić narzędzie „do góry nogami”, aby można było łatwo uzyskać dostęp do wrzeciona.

Zdjąć akcesoria z wrzeciona. Nakręcić przecinarkę do otworów na wrzeciono, a następnie dokręcić za pomocą dostarczonego klucza.

► **Rys.21:** 1. Przecinarka do otworów

## Zakładanie osłony do odsysania pyłu podczas szlifowania

Dotyczy tylko modelu GA7020S / GA9020S

### Akcesoria opcjonalne

Po wyposażeniu tego narzędzia w opcjonalne akcesoria można używać go do szlifowania powierzchni betonowych.

**⚠ PRZESTROGA:** Osłona do odsysania pyłu dla odsadzonej tarczy diamentowej jest przeznaczona wyłącznie do szlifowania powierzchni betonowych za pomocą odsadzonej tarczy diamentowej. Nie wolno używać tej osłony z innymi akcesoriami do cięcia ani do innych celów.

**⚠ PRZESTROGA:** Przed użyciem narzędzia upewnić się, że jest do niego podłączony odkurzacz i że zasilanie odkurzacza jest włączone.

Umieścić narzędzie „do góry nogami” i założyć osłonę do odsysania pyłu.

Założyć kołnierz wewnętrzny na wrzeciono.

Założyć garnkową tarczę diamentową na kołnierz wewnętrzny i dokręcić nakrętkę zabezpieczającą na wrzecionie.

► **Rys.22:** 1. Nakrętka zabezpieczająca 2. Garnkowa tarcza diamentowa 3. Garnkowa tarcza diamentowa 4. Kołnierz wewnętrzny 5. Osłona do odsysania pyłu 6. Obudowa łożyska

**WSKAZÓWKA:** Informacje na temat zakładania osłony do odsysania pyłu można znaleźć w podręczniku tej osłony.

## Zakładanie osłony do odsysania pyłu podczas cięcia

### Akcesoria opcjonalne

Po wyposażeniu narzędzia w opcjonalne akcesoria można używać go do cięcia materiałów kamiennych.

► **Rys.23**

**WSKAZÓWKA:** Informacje na temat zakładania osłony do odsysania pyłu można znaleźć w podręczniku tej osłony.

## Zakładanie i zdejmowanie pokrywy przeciwpylowej

### Akcesoria opcjonalne

**⚠ PRZESTROGA:** Przed przystąpieniem do zakładania lub zdejmowania pokrywy przeciwpylowej należy zawsze upewnić się, że narzędzie jest wyłączone i odłączone od zasilania. Niezastosowanie się do tej instrukcji może spowodować uszkodzenie narzędzia lub obrażenia ciała.

Należy założyć pokrywę przeciwpylową w każdym z wyznaczonych miejsc.

Szczegółowo zawiera instrukcja obsługi pokrywy przeciwpylowej.

**UWAGA:** Gdy pokrywa przeciwpylowa jest zatkana przez pył lub ciała obce, należy ją oczyścić. Kontynuowanie pracy z zatkaną pokrywą przeciwpylową może spowodować uszkodzenie narzędzia.

## OBSŁUGA

**⚠ OSTRZEŻENIE:** W żadnym wypadku nie należy dociskać narzędzia podczas pracy. Sam ciężar narzędzia zapewnia wystarczający nacisk. Stosowanie siły i nadmiernego docisku może doprowadzić do niebezpiecznego pęknięcia ściernicy.

**⚠ OSTRZEŻENIE:** Jeśli podczas szlifowania narzędzie upadnie, ściernicę należy BEZWZGLĘDNIE wymienić.

**⚠ OSTRZEŻENIE:** NIE WOLNO w żadnym wypadku uderzać ściernicą w obrabiany element.

**⚠ OSTRZEŻENIE:** Unikać podskakiwania i zaczepiania się ściernicy, zwłaszcza podczas obróbki narożników, ostrych krawędzi itp. Może to doprowadzić do utraty kontroli i do wystąpienia odrzutu.

**⚠ OSTRZEŻENIE:** NIE WOLNO używać narzędzia z tarczami do cięcia drewna ani innymi tarczami tnącymi. Używanie tego typu tarcz w szlifierce prowadzi często do wystąpienia odrzutu i utraty kontroli nad narzędziem, a w konsekwencji do obrażeń ciała.

**▲PRZESTROGA:** Nie wolno włączać narzędzia, gdy dotyka ono obrabianego elementu, gdyż może to spowodować obrażenia ciała u operatora.

**▲PRZESTROGA:** Podczas pracy należy zawsze nosić okulary ochronne lub osłonę twarzy.

**▲PRZESTROGA:** Po zakończeniu pracy należy zawsze wyłączyć narzędzie, a przed jego odłożeniem odczekać, aż ściernica całkowicie się zatrzyma.

**▲PRZESTROGA:** Narzędzie należy **ZAWSZE** mocno trzymać z jedną ręką na obudowie, a drugą na uchwycie bocznym (uchwyty).

**WSKAZÓWKA:** Ściernicy o podwójnym zastosowaniu można używać do szlifowania oraz do cięcia.

Informacje na temat operacji szlifowania można znaleźć w punkcie „Szlifowanie ściernicą i krążkiem ściernym”, a na temat operacji cięcia w punkcie „Praca z użyciem ściernicy tnącej / tarczy diamentowej”.

## Szlifowanie ściernicą i krążkiem ściernym

### ► Rys.24

Włączyć narzędzie, a następnie przyłożyć ściernicę lub krążek ścierny do obrabianego elementu.

Na ogół krawędź ściernicy lub krążka ściernego należy trzymać pod kątem około 15 stopni względem powierzchni obrabianego elementu.

Podczas docierania nowej ściernicy nie należy prowadzić szlifierki w kierunku do przodu, ponieważ ściernica może się wcinać w obrabiany element. Gdy krawędź ściernicy zostanie zaokrąglona w wyniku użytkowania, ściernicę można prowadzić zarówno w kierunku do przodu, jak i do tyłu.

**Przykład użycia: praca z użyciem garnkowej tarczy diamentowej**

### ► Rys.25

Narzędzie należy utrzymywać w położeniu poziomym i przyłożyć całą garnkową tarczę diamentową do powierzchni obrabianego elementu.

## Praca z użyciem ściernicy tnącej / tarczy diamentowej

### Akcesoria opcjonalne

**▲OSTRZEŻENIE:** Nie wolno doprowadzać do zakleszczania się ściernicy ani wywierać nadmiernego nacisku. Unikać cięć o zbyt dużej głębokości. Przeciągnięcie ściernicy zwiększa obciążenie i podatność ściernicy na skręcanie i zakleszczanie w miejscu cięcia, a także prawdopodobieństwo odrzutu lub pęknięcia tarczy. Może również dojść do przegrzania silnika.

**▲OSTRZEŻENIE:** Nie wolno rozpoczynać operacji cięcia, gdy tarcza znajduje się w przecinanym elemencie. Należy poczekać, aż ściernica uzyska pełną prędkość i dopiero wówczas ostrożnie wprowadzić ją do nacięcia, przesuwając narzędzie do przodu po powierzchni przecinanego elementu. Jeśli elektronarzędzie zostanie uruchomione, gdy ściernica znajduje się w przecinanym elemencie, ściernica może się zakleszczyć, wędrować po materiale lub może wystąpić odrzut.

**▲OSTRZEŻENIE:** Podczas operacji cięcia nie wolno zmieniać kąta prowadzenia ściernicy. Wywieranie bocznego nacisku na ściernicę tnącą (jak to ma miejsce w przypadku szlifowania) spowoduje pęknięcie i rozpadnięcie się ściernicy, powodując poważne obrażenia ciała.

**▲OSTRZEŻENIE:** Tarczę diamentową należy prowadzić prostopadle do ciętego materiału.

**Przykład użycia: praca z użyciem ściernicy tnącej**

### ► Rys.26

**Przykład użycia: praca z użyciem tarczy diamentowej**

### ► Rys.27

## Praca z użyciem drucianej szczotki garnkowej

### Akcesoria opcjonalne

**▲PRZESTROGA:** Sprawdzić działanie szczotki, uruchamiając narzędzie bez obciążenia po upewnieniu się, że przed szczotką ani w płaszczyźnie jej obrotu nikogo nie ma.

**UWAGA:** Unikać przykładania zbyt dużego docisku, który powoduje nadmierne wyginanie drutów podczas używania drucianej szczotki garnkowej. Może to doprowadzić do przedwczesnego zużycia szczotki.

**Przykłady użycia: praca z użyciem drucianej szczotki garnkowej**

### ► Rys.28

## Praca z użyciem drucianej szczotki tarczowej

### Akcesoria opcjonalne

**⚠ PRZESTROGA:** Sprawdzić działanie drucianej szczotki tarczowej, uruchamiając narzędzie bez obciążenia po uprzednim upewnieniu się, że przed drucianą szczotką tarczową ani w płaszczynie jej obrotu nikogo nie ma.

**UWAGA:** Unikać przykładania zbyt dużego docisku, który powoduje nadmierne wyginanie drutów podczas używania drucianej szczotki tarczowej. Może to doprowadzić do przedwczesnego zużycia szczotki.

Przykład użycia: praca z użyciem drucianej szczotki tarczowej

► Rys.29

## Praca z użyciem przecinarki do otworów

### Akcesoria opcjonalne

**⚠ PRZESTROGA:** Sprawdzić działanie przecinarki do otworów, uruchamiając narzędzie bez obciążenia po upewnieniu się, że przed przecinarką nikogo nie ma.

**UWAGA:** Podczas obsługi nie pochylać narzędzia. Może to doprowadzić do przedwczesnego uszkodzenia.

Przykład użycia: praca z użyciem przecinarki do otworów

► Rys.30

## KONSERWACJA

**⚠ PRZESTROGA:** Przed przystąpieniem do przeglądu narzędzia lub jego konserwacji upewnić się, że jest ono wyłączone i odłączone od zasilania.

**UWAGA:** Nie stosować benzyny, rozpuszczalników, alkoholu itp. środków. Mogą one powodować odbarwienia, odkształcenia lub pęknięcia.

W celu zachowania odpowiedniego poziomu BEZPIECZEŃSTWA i NIEZAWODNOŚCI produktu wszelkie naprawy i różnego rodzaju prace konserwacyjne lub regulacje powinny być przeprowadzane przez autoryzowany lub fabryczny punkt serwisowy narzędzi Makita, zawsze z użyciem oryginalnych części zamiennej Makita.

## Czyszczenie otworów wentylacyjnych

Narzędzie i jego otwory wentylacyjne muszą być utrzymywane w czystości. Otwory wentylacyjne należy czyścić w regularnych odstępach czasu i za każdym razem, gdy zostaną zatkane.

► Rys.31: 1. Wylot powietrza 2. Wlot powietrza

## Wymiana szczotek węglowych

► Rys.32: 1. Komutator 2. Końcówka izolacyjna 3. Szczotka węglowa

Jeśli końcówka izolacyjna z żywicy wewnątrz szczotki węglowej jest narażona na kontakt z komutatorem, nastąpi natychmiastowe wyłączenie silnika. W takiej sytuacji należy wymienić obie szczotki węglowe. Szczotki węglowe powinny być czyste, aby można je było swobodnie wsunąć do uchwytów. Obie szczotki węglowe należy wymieniać równocześnie. Należy używać wyłącznie identycznych szczotek węglowych. Za pomocą śrubokręta wyjąć pokrywki uchwytów szczotek. Wyjąć zużyte szczotki węglowe, włożyć nowe i zabezpieczyć pokrywkami uchwytów szczotek.

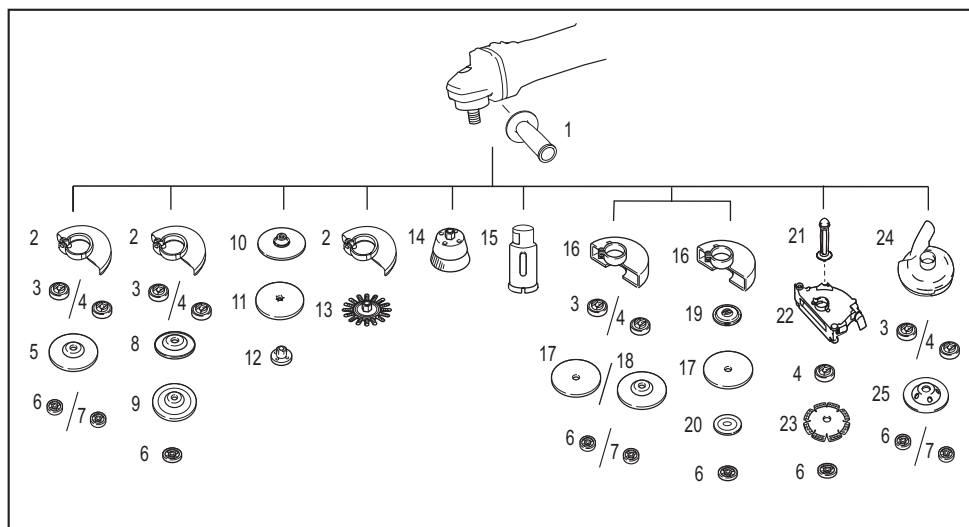
► Rys.33: 1. Pokrywka uchwytu szczotki 2. Śrubokręt

# KOMBINACJA ZASTOSOWAŃ I AKCESORIÓW

## Akcesoria opcjonalne

**▲PRZESTROGA:** Korzystanie z narzędzia z założonymi nieprawidłowymi osłonami może spowodować następujące zagrożenia.

- Korzystanie z osłony ściernicy tnącej do szlifowania czołowego może spowodować kolizję osłony ściernicy z obrabianym elementem i utratę kontroli.
- W przypadku używania osłony ściernicy szlifierskiej do operacji cięcia za pomocą ściernic trzpieniowych i tarcz diamentowych istnieje zwiększone ryzyko narażenia na obracające się tarcze, wyrzucane iskry i cząstki oraz na fragmenty tarczy w razie rozerwania tarczy.
- Korzystanie z osłony ściernicy tnącej lub osłony ściernicy szlifierskiej do operacji czołowych z użyciem garnkowych tarcz diamentowych może spowodować kolizję osłony ściernicy z obrabianym elementem i utratę kontroli.
- Korzystanie z osłony ściernicy tnącej lub osłony ściernicy szlifierskiej z drucianą szczotką tarczową o grubości większej niż grubość maksymalna określona w punkcie „DANE TECHNICZNE” może spowodować zapłatanie drutów w osłonie i ich rozerwanie.
- Użycie osłon pochłaniających pył podczas operacji cięcia i operacji czołowych w betonie lub cegle redukuje ryzyko narażenia na pył.
- W przypadku tarcz o podwójnym zastosowaniu (szlifowanie i cięcie za pomocą ściernicy) mocowanych za pomocą kołnierza należy używać tylko osłony ściernicy tnącej.



-	Zastosowanie	Model 180 mm	Model 230 mm
1	-	Uchwyt boczny	
2	-	Osłona ściernicy (do ściernicy szlifierskiej)	
3	-	Kołnierz wewnętrzny	
4	-	Super podkładka *1	
5	Szlifowanie / czyszczenie szczotką drucianą	Ściernica z obniżonym środkiem / ściernica lamelkowa	
6	-	Nakrętka zabezpieczająca	
7	-	Ezynut *1*2	
8	-	Tarcza oporowa	
9	Szlifowanie	Ściernica elastyczna	
10	-	Gumowy talerz szlifierski	
11	Czyszczenie powierzchni szczotką drucianą	Krażek ścierny	
12	-	Nakrętka zabezpieczająca krażek ścierny	

	Zastosowanie	Model 180 mm	Model 230 mm
13	Czyszczenie powierzchni szczotką drucianą	Druciana szczotka tarczowa	
14	Czyszczenie powierzchni szczotką drucianą	Druciana szczotka garmkowa	
15	Wycinanie otworów	Przecinarka do otworów	
16	-	Osłona ściernicy (do ściernicy tnącej)	
17	Cięcie	Ściernica tnąca / tarcza diamentowa	
18	Szlifowanie / cięcie	Tarcza o podwójnym zastosowaniu	-
19	-	Kołnierz wewnętrzny 78 (tylko Australia i Nowa Zelandia) *3	
20	-	Kołnierz zewnętrzny 78 (tylko Australia i Nowa Zelandia) *3	
21	-	Uchwyt boczny osłony do odsysania pyłu *4	
22	-	Osłona do odsysania pyłu podczas cięcia *4*5	
23	Cięcie	Tarcza diamentowa	
24	-	Osłona do odsysania pyłu podczas szlifowania *6	
25	Szlifowanie	Garmkowa tarcza diamentowa *6	
-	-	Klucz do nakrętek zabezpieczających	
-	-	Przystawka do odsysania pyłu	

**WSKAZÓWKA:** \*1 Nie używać razem super podkładki i nakrętki Ezynut.

**WSKAZÓWKA:** \*2 Tylko dla narzędzi z gwintem wrzeciona M14.

**WSKAZÓWKA:** \*3 Kołnierz wewnętrzny 78 i kołnierz zewnętrzny 78 należy stosować razem. (Dotyczy wyłącznie Australii i Nowej Zelandii)

**WSKAZÓWKA:** \*4 Użycie jednocześnie uchwytu bocznego osłony do odsysania pyłu i osłony do odsysania pyłu podczas cięcia.

**WSKAZÓWKA:** \*5 Dodatkowe informacje można znaleźć w instrukcji obsługi osłony.

**WSKAZÓWKA:** \*6 Dotyczy tylko modelu GA7020S / GA9020S

Więcej szczegółów można znaleźć w instrukcjach obsługi poszczególnych osłon.

## AKCESORIA OPCJONALNE

**⚠ PRZESTROGA:** Zaleca się stosowanie wymienionych akcesoriów i przystawek razem z narzędziem Makita opisanym w niniejszej instrukcji. Stosowanie innych akcesoriów lub przystawek może być przyczyną obrażeń ciała. Akcesoria lub przystawki należy wykorzystywać tylko zgodnie z ich przeznaczeniem.

W razie potrzeby wszelkiej pomocy i szczegółowych informacji na temat niniejszych akcesoriów udzielą Państwu lokalne punkty serwisowe Makita.

- Akcesoria wymienione w punkcie „KOMBINACJA ZASTOSOWAŃ I AKCESORIÓW”

**WSKAZÓWKA:** Niektóre pozycje znajdujące się na liście mogą być dołączone do pakietu narzędziowego jako akcesoria standardowe. Mogą to być różne pozycje, w zależności od kraju.



## RÉSZLETES LEÍRÁS

Típus:		GA7020 / GA7020Y	GA7020S	GA7021	GA9020 / GA9020Y	GA9020S
Alkalmazandó csiszolótárcsa	Max. tárcsaátmérő	180 mm			230 mm	
	Max. tárcsavastagság	7,2 mm			6,5 mm	
Alkalmazandó darabolótárcsa	Max. tárcsaátmérő	180 mm			230 mm	
	Max. tárcsavastagság	4,0 mm			3,2 mm	
Alkalmazandó drótkorong	Max. tárcsaátmérő	150 mm			175 mm	
	Max. tárcsavastagság	20 mm				
Orsómenet		M14 vagy M16 vagy 5/8" (országspecifikus)				
Orsó max. hosszúsága		26 mm				
Üresjárat fordulatszám (n <sub>0</sub> ) / Névleges fordulatszám (n)		8 500 min <sup>-1</sup>		6 600 min <sup>-1</sup>		
Teljes hossz		473 mm				
Nettó tömeg		5,6 - 7,8 kg	5,7 - 7,9 kg	5,6 - 7,8 kg	5,8 - 7,9 kg	5,8 - 8,0 kg
Biztonsági osztály		□/II				

- Folyamatos kutató- és fejlesztőprogramunk eredményeként az itt felsorolt tulajdonságok figyelmeztetés nélkül megváltozhatnak.
- A tulajdonságok országról országra különbözhetnek.
- A súly a felszerelt tartozék(ok)tól függően változhat. Az EPTA 01/2014 eljárás szerint meghatározott legnehezebb, illetve legkönnyebb kombináció a táblázatban látható.

### Szimbólumok

A következőkben a berendezésen esetleg használt jelképek láthatók. A szerszám használata előtt bizonyosodjon meg arról hogy helyesen értelmezi a jelentésüket.



Olvassa el a használati utasítást.



Viseljen védőszemüveget.



Mindig két kézzel működtesse.



Ne használja a tárcsavédőt darabolási műveletekhez.



KETTŐS SZIGETELÉS



Csak EU-tagállamok számára  
Mivel a berendezésben veszélyes alkatrészek vannak, a használt elektromos és elektronikus berendezések negatív hatással lehetnek a környezetre és az emberi egészségre.

Az elektromos és elektronikus készülékeket ne dobja a háztartási szeméttel!  
Az elektromos és elektronikus berendezések hulladékairól szóló európai irányelvnek és annak a nemzeti jogszabályokhoz történő adaptálásának megfelelően a használt elektromos és elektronikus berendezéseket külön kell összegyűjteni, és a települési hulladék elkülönített gyűjtőhelyére kell szállítani a környezetvédelmi előírásoknak megfelelően.  
Ezt jelzi a berendezésen elhelyezett áthúzott kerek kuka szimbólum.

### Rendeltetés

A szerszám fém és kő csiszolására, dörzsölésére, drótkéfézésére, lyukvágására és vágására szolgál, víz használata nélkül.

### Tápfeszültség

A szerszámot kizárólag olyan egyfázisú, váltóáramú hálózatra szabad kötni, amelynek feszültsége meg egyezik az adattábláján szereplő feszültséggel. A szerszám kettős szigetelésű, ezért földelővezeték nélküli aljzatról is működtethető.

## A 220 V és 250 V közötti feszültséggel rendelkező, nyilvános kiefeszültségű áramelosztó rendszerekben való használatra.

Az elektromos berendezések bekapcsolásakor feszültségingadozások léphetnek fel. Ezen készülék üzemeltetése nem megfelelő áramellátási körülmények között kedvezőtlen hatással lehet más berendezések működésére. A 0,27 Ohmmal egyenlő vagy annál kisebb értékű hálózati impedancia esetén feltételezhetően nem lesznek negatív jelenségek. Az ehhez az eszközhöz használt hálózati csatlakozót biztosítékkal vagy lassú kioldási jellemzőkkel rendelkező megszakítóval kell védeni.

## Zaj

A tipikus A-súlyozású zajszint, a EN62841-2-3 szerint meghatározza:

Típus	Hangnyomásszint ( $L_{pA}$ ): (dB(A))	Hangteljesítményszint ( $L_{WA}$ ): (dB(A))	Bizonytalanság (K): (dB(A))
GA7020 / GA7020Y	92	100	3
GA7020S	92	100	3
GA7021	92	100	3
GA9020 / GA9020Y	92	100	3
GA9020S	92	100	3

**MEGJEGYZÉS:** A zajkibocsátás értéke a szabványos vizsgálati eljárásnak megfelelően lett mérve, és segítségével az elektromos kéziszerszámok összehasonlíthatók egymással.

**MEGJEGYZÉS:** A zajkibocsátás értékének segítségével előzetesen megbecsülhető a rezgésnek való kitétség mértéke.

**▲ FIGYELMEZTETÉS:** Viseljen fülvédőt!

**▲ FIGYELMEZTETÉS:** A szerszám zajkibocsátása egy adott alkalmazásnál eltérhet a megadott értéktől a használat módjától, különösen a feldolgozott munkadarab fajtájától függően.

**▲ FIGYELMEZTETÉS:** Határozza meg a kezelő védelmét szolgáló munkavédelmi lépéseket, melyek az adott munkafeltételek melletti vibrációs hatás becsült mértékén alapulnak (figyelembe véve a munkaciklus elemeit, mint például a gép leállításának és üresjáratának mennyiségét az elindítások száma mellett).

**▲ FIGYELMEZTETÉS:** Vékony fémlamezek vagy más, nagy felületű, könnyen rezgésbe jövő szerkezetek csiszolása a megadott zajkibocsátási értékeknél jóval magasabb (akár 15 dB) teljes zajkibocsátást eredményezhet.

Helyezzen nehéz rugalmas rezgéscsillapító lapokat vagy más hasonlót azokra a munkadarabokra, hogy megelőzze a hangkibocsátást.

Vegye figyelembe a megnövekedett zajkibocsátást a zajexpozíciós kockázatelemzésben és a megfelelő hallásvédelem kiválasztásában egyaránt.

## Vibráció

A vibráció teljes értéke (háromtengelyű vektorösszeg) az EN62841-2-3 szerint meghatározza:

**Üzem mód: felületcsiszolás normál oldalmarkolattal**

Típus	Rezgéskibocsátás ( $a_{hv, AG}$ ): (m/s <sup>2</sup> )	Bizonytalanság (K): (m/s <sup>2</sup> )
GA7020 / GA7020Y	8,5	1,5
GA7020S	8,5	1,5
GA7021	5,0	1,5
GA9020 / GA9020Y	5,5	1,5
GA9020S	5,5	1,5

## Üzem mód: felületcsiszolás rezgésálló oldalmarkolattal

Typus	Rezgéskibocsátás ( $a_{H, DG}$ ): ( $m/s^2$ )	Bizonytalanság (K): ( $m/s^2$ )
GA7020 / GA7020Y	8,0	1,5
GA7020S	8,0	1,5
GA7021	4,5	1,5
GA9020 / GA9020Y	5,5	1,5
GA9020S	5,5	1,5

## Üzem mód: csiszolókorongozás normál oldalmarkolattal

Typus	Rezgéskibocsátás ( $a_{H, DG}$ ): ( $m/s^2$ )	Bizonytalanság (K): ( $m/s^2$ )
GA7020 / GA7020Y	2,5	1,5
GA7020S	2,5	1,5
GA7021	2,5 $m/s^2$ vagy kisebb	1,5
GA9020 / GA9020Y	2,5 $m/s^2$ vagy kisebb	1,5
GA9020S	2,5 $m/s^2$ vagy kisebb	1,5

## Üzem mód: csiszolókorongozás rezgésálló oldalmarkolattal

Typus	Rezgéskibocsátás ( $a_{H, DG}$ ): ( $m/s^2$ )	Bizonytalanság (K): ( $m/s^2$ )
GA7020 / GA7020Y	2,5	1,5
GA7020S	2,5	1,5
GA7021	2,5 $m/s^2$ vagy kisebb	1,5
GA9020 / GA9020Y	2,5 $m/s^2$ vagy kisebb	1,5
GA9020S	2,5 $m/s^2$ vagy kisebb	1,5

**MEGJEGYZÉS:** A rezgés teljes értéke a szabványos vizsgálati eljárásnak megfelelően lett mérve, és segítségével az elektromos kéziszerszámok összehasonlíthatók egymással.

**MEGJEGYZÉS:** A rezgés teljes értékének segítségével előzetesen megbecsülhető a rezgésnek való kitétség mértéke.

**▲ FIGYELMEZTETÉS:** A szerszám rezgéskibocsátása egy adott alkalmazásnál eltérhet a megadott értéktől a használat módjától, különösen a feldolgozott munkadarab fajtájától függően.

**▲ FIGYELMEZTETÉS:** Határozza meg a kezelő védelmét szolgáló munkavédelmi lépéseket, melyek az adott munkafeltételek melletti vibrációs hatás becslést mértekén alapulnak (figyelembe véve a munkaciklus elemeit, mint például a gép leállításának és üresjáratának mennyiségét az elindítások száma mellett).

**▲ FIGYELMEZTETÉS:** A rezgéskibocsátás megadott értéke a szerszám használatának alapvető módjára vonatkozik. Ha a szerszámot más célra használja, a vibráció értéke eltérő lehet.

## EK Megfelelőségi nyilatkozat

*Csak európai országokra vonatkozóan*

Az EK-megfelelőségi nyilatkozat az útmutató „A” mellékletében található.

## BIZTONSÁGI FIGYELMEZTETÉS

### A szerszámgépekre vonatkozó általános biztonsági figyelmeztetések

**▲ FIGYELMEZTETÉS** Olvassa el a szerszámgéphez mellékelt összes biztonsági figyelmeztetést, utasítást, illusztrációt és a műszaki adatokat. A következőkben leírt utasítások figyelmen kívül hagyása elektromos áramütést, tüzet és/vagy súlyos sérülést eredményezhet.

## Őrizzen meg minden figyelmeztetést és utasítást a későbbi tájékozódás érdekében.

A figyelmeztetésekben szereplő "szerszámgép" kifejezés az Ön hálózatról (vezetékes) vagy akkumulátorról (vezeték nélküli) működtetett szerszámgépére vonatkozik.

### A csiszolóra vonatkozó biztonsági figyelmeztetések

A köszörülési, csiszolási, drótkéféli vagy daraboló műveletekre vonatkozó általános biztonsági figyelmeztetések:

1. Ez az elektromos szerszám működéskor köszörülő, csiszoló, drótkéféli, lyukvágó vagy daraboló szerszámként. Olvassa el a szerszámgéphez mellékelt összes biztonsági figyelmeztetést, utasítást, illusztrációt és a műszaki adatokat. A következőkben leírt utasítások figyelmen kívül hagyása elektromos áramütést, tüzet és/vagy súlyos sérülést eredményezhet.

2. **Ezzel az elektromos szerszámmal nem szabad olyan műveleteket végezni mint például a polírozás.** Az olyan műveletek végzése, amelyekre az elektromos szerszám gép nem lett tervezve, veszélyhelyzeteket és személyi sérüléseket eredményezhet.
  3. **Ne alakítsa át ezt a szerszámgépet olyan módú működésre, amelyre a szerszámgyártó kifejezetten nem tervezte azt, illetőleg, amit nem adott meg.** Egy ilyen átalakítás a szerszámgép feletti uralom elvesztéséhez és súlyos személyi sérüléshez vezethet.
  4. **Ne használjon olyan kiegészítőket, amelyek nem speciálisan erre a célra terveztek, és a szerszám gyártója nem írta elő azok használatát.** Az, hogy a kiegészítő hozzákapcsolható a szerszámhoz, még nem biztosítja a biztonságos működést.
  5. **A kiegészítő névleges fordulatszáma legyen legalább akkora, mint a szerszámgépem megadott legmagasabb fordulatszámérték.** A névleges fordulatszámuknál magasabb fordulatszámon működtetett kiegészítők eltörhetnek, darabjaik pedig szétrepülhetnek.
  6. **A kiegészítő külső átmérőjének és vastagságának a szerszámgép kapacitási határértékein belül kell lennie.** A nem megfelelő méretű kiegészítőket nem lehet megfelelő védelemmel ellátni, illetve irányítani.
  7. **A tartozékok csatlakozó része méretének illeszkednie kell a szerszámgép rögzítőelemére.** Azok a tartozékok, amelyek nem illeszkednek az elektromos szerszámhoz, az elektromos szerszám egyensúlyvesztését, túlságos rezgését és az uralom elvesztését okozhatják.
  8. **Ne használjon sérült kiegészítőket.** Minden használat előtt ellenőrizze a kiegészítőket, például a csiszolókorongokat, hogy nem csorbultak vagy repedtek-e, az alátétalpakat, hogy nem repedtek, szakadtak vagy kopottak-e, a drótféket, hogy a drótok nem feszlettek vagy törtek-e el. Ha az elektromos szerszám vagy a kiegészítő leesik, ellenőrizze, hogy nem károsodott-e, vagy szereljen fel egy sérülésmentes kiegészítőt. A kiegészítő ellenőrzése és felszerelése után Ön és a közelben állók lépjenek el a forgó kiegészítő síkjától, majd egy percen át működtesse az elektromos szerszámot a maximális terhelés nélküli fordulatszámon. A sérült kiegészítők általában széttörnek ezen tesztidőtartam alatt.
  9. **Viseljen személyi védőfelszereléseket. A munka jellegétől függően használjon arcvédőt, szemvédőt vagy védőszemüveget. Ha szükséges, vegyen fel pormaszkot, fülvédőt, kesztyűt és olyan kötényt, amely képes felfogni a csiszolóanyagból vagy a munkadarabból származó kisméretű darabokat.** A szemvédőnek képesnek kell lennie arra, hogy megállítsa a különböző alkalmazások során kirepülő törmelékdarabokat. A pormaszknak vagy a légzőkészüléknek képesnek kell lennie az adott alkalmazás során keletkező részecskék kiszűrésére. A hosszabb ideig tartó nagy intenzitású zaj halláskárosodást okozhat.
  10. **A környezetében tartózkodók álljanak biztonságos távolságra a munkaterülettől.** A munkaterületre belépő minden személy köteles személyi védőfelszerelést viselni. A munkadarabból vagy széttört kiegészítőből származó darabok szétrepülhetnek és sérüléseket okozhatnak a szerszám használati helye mögötti területen.
  11. **Az elektromos szerszámot kizárólag a szigetelt markolási felületeinél fogja meg, amikor olyan műveletet végez, melynek során fennáll a veszély, hogy a vágóélel rejtett vezetékbe vagy saját tápkábelébe ütközhet.** Áram alatt lévő vezetékkel való érintkezéskor az elektromos szerszám fém alkatrészei is áram alá kerülhetnek, és megrázzhatják a kezelőt.
  12. **A tápkábelt úgy vezesse el, hogy ne legyen a forgó alkatrész közelében.** Ha elveszíti az irányítást a szerszám felett, a tápkábel behúzhatja a kezét vagy a karját a forgó szerszámba.
  13. **Soha ne fedtesse le az elektromos gépet addig, amíg az teljesen le nem állt.** A forgó szerszám beakadhat a felületbe, és irányíthatatlanná válhat.
  14. **Ne működtesse a szerszámot, amikor az oldalán viszi.** Ha a forgó alkatrész véletlenül Önhöz ér, elkaphatja a ruháját, és így a testéhez ránthatja a szerszámot.
  15. **Rendszeresen tisztítsa meg a szerszámgép szellőzőnyílásait.** A motor ventilátora beszívja a port a készülék belsejébe, és a fémport túlzott felhalmozódása veszélyes elektromos körülményeket teremthet.
  16. **Ne működtesse a szerszámgépet gyúlékony anyagok közelében.** A szikrák felgyújtathatják ezeket az anyagokat.
  17. **Ne használjon olyan kiegészítőket, amelyekhez folyékony hűtőközeg szükséges.** Víz vagy más folyadék használata rövidzárlatot vagy áramütést okozhat.
- Visszarúgás és az ezzel kapcsolatos figyelmeztetések:**  
A visszarúgás a szerszám hirtelen reakciója a forgótárcsa, alátétalp, kefe vagy más tartozék beszorulásakor vagy beakadásakor. A becsípődés vagy beakadás a forgó alkatrész hirtelen megállását okozza, melynek következtében az irányíthatatlan szerszámgép az eddigi forgásiránnyal ellentétesen kezd el forogni a beszorulási pont körül. Ha például egy csiszolókorong beszorul vagy beakad a munkadarabba, a tárcsa széle, ami a becsípődési pontba lép beleáshatja magát az anyag felületébe, ami miatt a becsípődési pontban megakadt tárcsa kiugorhat vagy kivetődhet a munkadarabból. A tárcsa a kezelő felé vagy az ellentétes irányba is ugorhat, attól függően, hogy mi a tárcsa mozgási iránya a becsípődési pontban. A csiszolókorongok ilyen körülmények között akár el is törhetnek. A visszarúgás az elektromos szerszámgép helytelen használatának és/vagy a nem megfelelő működési eljárásoknak és körülményeknek következménye, és az alábbi óvintézkedések betartásával megelőzhető.
1. **Fogja stabilan, két kézzel a szerszámgépet, és tartsa úgy a karjait és a testét, hogy ellen tudjon állni a visszarúgáskor fellépő erőnek. Mindig használja a kiegészítő fogantyút, ha van, hogy maximálisan ura legyen a gépnek visszarúgáskor, vagy a bekapcsoláskor fellépő nyomatkreatciók.** A kezelő uralhatja a nyomatkreatciókat és visszarúgáskor fellépő erőket, ha megteszi a megfelelő óvintézkedéseket.

2. **Soha ne tegye a kezét a forgó tárcsa közelébe.** A tárcsa visszarúghat a kezein keresztül.
3. **Ne helyezze a testét arra a területre, amerre az elektromos szerszám visszarúgáskor mozoghat.** A visszarúgás következtében az elektromos szerszám a tárcsa forgási irányával ellentétesen mozdul el a megszorulási pontból kiindulva.
4. **Legyen különösen óvatos sarkok, éles szélek stb. megmunkálásakor. Kerülje el a tárcsa pattogását vagy megugrását.** A sarkok, éles szélek vagy a pattogás hatására a forgó tartozékok kiugorhatnak, az uralom elvesztését vagy visszarúgást okozva.
5. **Ne szereljen fel fűrészláncot, fafaragó fűrészlapot, 10 mm-nél nagyobb hézagú gyémánt-tárcsát illetve fogozott fűrész-tárcsát.** Ezek a tárcsák gyakran visszarúgást és az uralom elvesztését okozzák.

#### **Speciális biztonsági figyelmeztetések a köszörülési és a daraboló műveletekhez:**

1. **Csak az elektromos szerszámmal megadott csiszoló-tárcsát és a kiválasztott tárcsához való tárcsavédőt használja.** Azok a tárcsák, amelyeket nem ehhez az elektromos szerszámmal terveztek, nem védhetők megfelelően, és nem biztonságosak.
2. **A súllyesztett középfuratú tárcsa csiszolófelületét a védőperem síkja alá kell felszerelni.** A helytelenül felszerelt, a védőperem síkján túlnyúló tárcsának nem lehet megfelelő védelmet biztosítani.
3. **A tárcsavédőt biztonságosan kell felszerelni az elektromos szerszámmal, és úgy kell elhelyezni, hogy a lehető legjobban eltakarja a tárcsát a kezelő irányában.** A tárcsavédő megvédi a kezelőt a letévedezett tárcsadaraboktól, a tárcsával való esetleges érintkezéstől, és a szikráktól, amelyek lángra lobbantathatják a ruházatát.
4. **A tárcsákat csak a megadott alkalmazási területeken szabad használni. Például ne csiszoljon a darabolótárcsa oldalával.** A csiszoló darabolótárcsáknak kizárólag az élével lehet csiszolni, mivel oldalirányú erő hatására ezek a tárcsák összetörhetnek.
5. **Mindig csak sérülésmentes illesztőperemet használjon a tárcsához, melynek mérete és alakja a kiválasztott tárcsának megfelelő.** A megfelelő illesztőperemek támasztást biztosítanak a tárcsának, ezzel csökkentve a törés valószínűségét. A darabolótárcsák illesztőperemei különbözhetnek a csiszoló-tárcsa illesztőperemeitől.
6. **Ne használjon nagyobb méretű szerszámokról leszerelt, kopott tárcsákat.** A nagyobb elektromos szerszámokhoz tervezett tárcsa nem használható a kisebb szerszám nagyobb fordulatszámja miatt, és szétrobbanhat.
7. **Kettős célú tárcsák használatakor mindig az éppen végrehajtott alkalmazásnak megfelelő tárcsavédőt használja.** Ha nem a megfelelő tárcsavédőt használja, elfordulhat, hogy az nem biztosítja a kívánt védelmi szintet, ami súlyos sérüléshez vezethet.

#### **További speciális biztonsági figyelmeztetések a daraboló műveletekhez:**

1. **Ne „akassza be” a darabolótárcsát, és ne nyomja meg túlságosan. Ne próbáljon túl mély vágást végezni.** A tárcsa túlzott igénybevétele növeli a terhelést, a tárcsa kifordulhat, vagy szorulhat a vágásban, illetve nő a visszarúgás vagy a tárcsa eltörésének valószínűsége.
2. **Testével ne helyezkedjen a forgó tárcsa vonalába, vagy a tárcsa mögé.** Ha a tárcsa a művelet egyik pontjában a teste irányából elmozdul, a lehetséges visszarúgás közvetlenül Ön felé hajthatja az orsós tárcsát és az elektromos szerszámot.
3. **Ha a tárcsa szorul, vagy ha bármilyen okból abbahagyja a vágást, kapcsolja ki a szerszámgépet, és tartsa mozdulatlanul mindaddig, amíg a tárcsa teljesen leáll. Soha ne próbálja kivenni a vágásból a darabolótárcsát, miközben az mozgásban van, mivel visszarúgást okozhat.** Derítse fel, és küszöbölje ki a tárcsa szorulásának okát.
4. **Amikor újakezdi a vágást a munkadarabon, a tárcsát ne a munkadarabra helyezve indítsa el. Hagyja, hogy a tárcsa elérje a teljes sebességét, majd óvatosan helyezze vissza a vágatba.** Ha a szerszámgépet a munkadarabon indítja újra, a tárcsa szorulhat, kiléphet vagy visszarúghat.
5. **A nagyméretű falapokat vagy a nagy munkadarabokat támassza alá, hogy elkerülje a tárcsa beszorulását és a visszarúgást.** A nagyméretű munkadarabok meghajolhatnak saját súlyuk alatt. Helyezzen támasztékot a munkadarab alá, a vágás vonalának közelében, valamint a munkadarab szélétől nem messze, a tárcsa két oldalára.
6. **Különös körültekintéssel járjon el, ha falon vagy más, nem belátható munkaterületen végez bemszűrő vágást.** A túlnyúló tárcsa elvághat gáz vagy vízvezetéseket, elektromos vezetékeket vagy tárgyakat, ami visszarúgást okozhat.
7. **Ne kíséreljen meg ives vágást végezni.** A tárcsa túlzott igénybevétele növeli a terhelést, a tárcsa kifordulhat, vagy szorulhat a vágásban, illetve nő a visszarúgás vagy a tárcsa eltörésének valószínűsége, ami súlyos sérüléshez vezethet.
8. **Mielőtt elkezdené használni a szegemintálgépet, bizonyosodjon meg arról, hogy a gyémánttárcsa szegmensei közötti hézagok legfeljebb 10 mm-esek, és csak negatív homlokszöggel rendelkeznek.**

#### **Speciális biztonsági figyelmeztetések a csiszolási műveletre vonatkozóan:**

1. **Megfelelő méretű csiszolópapír-korongot használjon.** Kövesse a gyártó javaslatait a csiszolópapír kiválasztásakor. A csiszolóalpról túlságosan lelógó nagyobb csiszolópapír szakítású veszélyt jelent, és a tárcsa kiugrását, repedését vagy visszarúgását okozhatja.

#### **Speciális biztonsági figyelmeztetések a drótfelületi műveletre vonatkozóan:**

1. **Vigyázzon a drótsörték ledobására a kэфéről akár a megszokott művelet közben is. Ne vegye túlságosan igénybe a drótokat a kefe túlterhelésével.** A drótsörték könnyen átmehetnek a könnyű ruházaton és/vagy a bőrön.

- Ha a drótkéfélshez előírt a védő használata, ne engedje érintkezni a dróttárcsát vagy kefé a védőtárcsával. A terhelés és a centrifugális erő következé-  
ben a dróttárcsa vagy kefe átmérője növekedhet.

#### Kiegészítő biztonsági figyelmeztetések:

- Süllyesztett középfuratú csiszolótárcsák használatakor ügyeljen rá, hogy csak üvegszál erősítésű tárcsákat használjon.
- SOHA NE HASZNÁLJON kőcsiszoló típusú tárcsákat ezzel a csiszolóval. Ezt a csiszolót nem ilyen típusú tárcsák használatára tervezték, a kőcsiszoló tárcsák használata súlyos személyi sérüléseket okozhat.
- Legyen óvatos, ne rongálja meg az orsót, az illesztőperemet (különösen annak szerelési felületét) vagy a rögzítőanyagát. Ezen alkatrészek károsodása a tárcsa törését okozhatja.
- Ellenőrizze, hogy a tárcsa nem ér a munkadarabhoz, mielőtt bekapcsolja a szerszámot.
- Mielőtt használja a szerszámot a tényleges munkadarabon, hagyja jární egy kicsit. Figyelje a rezgéseket vagy imbolygást, amelyek rosszul felszerelt vagy rosszul kiegyensúlyozott tárcsára utalhatnak.
- Csiszoláshoz használja a tárcsa erre kijelölt felületét.
- Ne hagyja a működő szerszámot felügyelet nélkül. Csak közben tartva használja a szerszámot.
- Ne érjen a munkadarabhoz közvetlenül a munkavégzést követően; az rendkívül forró lehet és megégetheti a bőrét.
- Ne érjen a kiegészítőkhöz közvetlenül a munkavégzést követően; az rendkívül forró lehet és megégetheti a bőrét.
- Kövesse a gyártó útmutatásait a tárcsák helyes felszerelését és használatát illetően. Körültekintően kezelje és tárolja a tárcsákat.
- Ne használjon külön szűkítőhüvelyeket vagy adaptereket a nagy furattal rendelkező csiszolókorongok illesztéséhez.
- Csak a szerszámhoz előírt illesztőperemeket használja.
- A menetes furatú tárcsákkal felszerelhető szerszámok esetében ellenőrizze, hogy a tárcsa menete elég hosszú, hogy befogadja az orsó menetét.
- Ellenőrizze, hogy a munkadarab megfelelően alá van támasztva.
- Figyeljen oda arra, hogy a tárcsa tovább forog a szerszám kikapcsolása után.
- Ha a munkahely különösen meleg és párás, vagy elektromosan vezető porral szennyezett, használjon rövidzárlati megszakítót (30 mA) a biztonságos működés érdekében.
- Ne használja a szerszámot azbeszttel tartalmazó anyagokon.
- Darabolótárcsa használatakor mindig porgyűjtő tárcsavédő felszerelésével dolgozzon, ha azt a helyi szabályozás előírja.
- A vágókorongokat nem szabad laterális irányú nyomásnak kitenni.
- Ne használjon ruhakesztyűt a művelet elvégzése közben. A ruhakesztyű rostjai bejuthatnak a gépbe, és tönkretelhetik a szerszámot.

- Használat előtt ellenőrizze, nincsenek-e rejtett tárgyak, mint például elektromos csövek, vízcsövek vagy gázcsövek a munkadarabban. Ellenkező esetben áramütést, illetve áram- vagy gázszivárgást okozhat.
- Ha a tárcsához alátétet csatlakoztattak, ne távolítsa el. Az alátét átmérőjének nagyobbak kell lennie a rögzítőanyagánál, a külső illesztőperemnél és a belső illesztőperemnél.
- A csiszolótárcsa felszerelése előtt mindig ellenőrizze, hogy az alátét részen nincsenek-e rendellenességek, például forgácsok vagy repedések.
- Megfelelően húzza meg a rögzítőanyagát. A tárcsa túlhúzása törést, a nem elégséges megszorítása libegést okozhat.

## ŐRIZZE MEG EZEKET AZ UTASÍTÁSOKAT.

**▲FIGYELMEZTETÉS: NE HAGYJA,** hogy (a termék többszöri használatából eredő) kényelem és megszokás váltsa fel a termék biztonsági előírásainak szigorú betartását. A **HELYTELEN HASZNÁLAT** és a használati útmutatóban szereplő biztonsági előírások megszegése súlyos személyi sérülésekhez vezethet.

## A MŰKÖDÉS LEÍRÁSA

**▲VIGYÁZAT:** Mielőtt ellenőri vagy beállítja, mindig bizonyosodjon meg róla, hogy a szerszámot kikapcsolta és a hálózatról lecsatlakoztatta.

### Tengelyretesz

**▲FIGYELMEZTETÉS:** Soha ne hozza működésbe a tengelyreteszt, ha az orsó még forog. Súlyos sérülést vagy kárt okozhat a szerszámiban.

Nyomja le a tengelyreteszt az orsó forgásának megakadályozásához amikor a tartozékokat felszereli vagy leszereli.

► **Ábra1:** 1. Tengelyretesz

### A kapcsoló használata

**▲VIGYÁZAT:** A szerszám hálózatra csatlakoztatása előtt mindig ellenőrizze hogy a kapcsológomb megfelelően mozog és visszatér a kikapcsolt (OFF) állapotba elengedése után.

**▲VIGYÁZAT:** Mindig kapcsolja ki a szerszámot áramszünetkor, illetve véletlen leálláskor, például a kábel kihúzása esetén. Ha ezt nem teszi meg, a szerszám váratlanul működésbe léphet, mikor az áramellátás visszatér, amely balesetkez és személyi sérüléshez vezethet.

A kapcsoló használatának három variációja van országtól függően.

► **Ábra2:** 1. Kapcsológomb 2. Reteszelőkar

## Reteszkapcsolóval felszerelt szerszám

### Országfüggetlen

**⚠VIGYÁZAT:** Huzamosabb használatkor a kapcsoló a kezelő munkájának megkönnyítése érdekében a bekapcsolt (ON) pozícióban rögzíthető. Legyen elővigyázatos a szerszám bekapcsolt (ON) pozícióba rögzítésekor, és szilárdan fogja meg a szerszámot.

A szerszám bekapcsolásához egyszerűen húzza meg a kapcsológombot (a B irányba). A megállításhoz engedje el a kapcsológombot.

A folyamatos működtetéshez húzza meg a kapcsológombot (a B irányba), majd nyomja be a reteszelőkart (az A irányba).

A gép reteszelt helyzetből való leállításához húzza meg teljesen a kapcsológombot (a B irányba), majd engedje el.

## Kireteszelő-kapcsolóval felszerelt szerszám

### Országfüggetlen (Ausztráliát és Új-Zélandot is magába foglalja)

Egy reteszelőkar szolgál annak elkerülésére, hogy a kapcsológombot véletlenül meg lehessen húzni. A gép elindításához nyomja be a reteszelőkart (az A irányba), majd húzza meg a kapcsológombot (a B irányba). A megállításhoz engedje el a kapcsológombot.

**MEGJEGYZÉS:** Ne húzza túlzott erővel a kapcsológombot úgy, hogy nem nyomta le a reteszelőkart. Ez a kapcsoló törését okozhatja.

## Reteszkapcsolóval és kireteszelő-kapcsolóval felszerelt szerszám

### Országfüggetlen

**⚠VIGYÁZAT:** Huzamosabb használatkor a kapcsoló a kezelő munkájának megkönnyítése érdekében a bekapcsolt (ON) pozícióban rögzíthető. Legyen elővigyázatos a szerszám bekapcsolt (ON) pozícióba rögzítésekor, és szilárdan fogja meg a szerszámot.

Egy reteszelőkar szolgál annak elkerülésére, hogy a kapcsológombot véletlenül meg lehessen húzni. A gép elindításához nyomja be a reteszelőkart (az A irányba), majd húzza meg a kapcsológombot (a B irányba). A megállításhoz engedje el a kapcsológombot.

A folyamatos működtetéshez nyomja be a reteszelőkart (az A irányba), húzza meg a kapcsológombot (a B irányba), majd nyomja be tovább a reteszelőkart (az A irányba).

A gép reteszelt helyzetből való leállításához húzza meg teljesen a kapcsológombot (a B irányba), majd engedje el.

**MEGJEGYZÉS:** Ne húzza túlzott erővel a kapcsológombot úgy, hogy nem nyomta le a reteszelőkart. Ez a kapcsoló törését okozhatja.

## Lágyindítás

Csak a GA7020S / GA9020S típus esetén

A lágyindítási funkció csökkenti az indításkor előforduló rántást.

## ÖSSZESZERELÉS

**⚠VIGYÁZAT:** Mielőtt bármilyen munkát végezne rajta, mindig bizonyosodjon meg arról hogy a szerszámot kikapcsolta és a hálózatról lecsatlakoztatta.

## Az oldalmarkolat (fogantyú) felszerelése

**⚠VIGYÁZAT:** Használat előtt mindig bizonyosodjon meg arról, hogy az oldalmarkolat szilárdan van rögzítve.

**⚠VIGYÁZAT:** Az oldalmarkolatot a 3 furatba szerelheti. Szerelje az oldalmarkolatot a működésnek megfelelő egyik furatba.

Rögzítse az oldalmarkolatot a helyére a szerszámon az ábrának megfelelően.

► **Ábra3**

## A tárcsavédő fel- és leszerelése (süllyesztett középfuratú tárcsa, lapos tárcsa, vágókorong, drótkorong/daraboló köszörútárcsa, gyémánttárcsa esetén)

**⚠FIGYELMEZTETÉS:** Süllyesztett középfuratú tárcsa, lapos tárcsa, vágókorong vagy drótkorong használatakor a tárcsavédőt úgy kell felszerelni a szerszámról, hogy zárt oldalával mindig a kezelő felé nézzen.

**⚠FIGYELMEZTETÉS:** Daraboló köszörútárcsa/gyémánttárcsa használatakor ügyeljen arra, hogy csak daraboló köszörútárcsákhoz készített tárcsavédőt alkalmazzon.

## Csavarretesz tárcsavédő esetén

Úgy szerelje fel a tárcsavédőt, hogy a szorítóbilincsen található kiemelkedések illeszkedjenek a csapágyházon levő bevágásokhoz. Ezután fordítsa a tárcsavédőt olyan szögbe, hogy a megmunkálásnak megfelelően védeni tudja a kezelőt. Ügyeljen rá, hogy a csavart biztonságosan meghúzza.

A tárcsavédő eltávolításához kövesse a felszerelési eljárást fordított sorrendben.

► **Ábra4:** 1. Tárcsavédő 2. Csapágyház 3. Csavar

## A rögzítőkáros tárcsavédő esetén

Lazítsa meg az anyát, és húzza a kart a nyíl irányába.

► **Ábra5:** 1. Anya 2. Kar

Úgy szerelje fel a tárcsavédőt, hogy a szorítóbilincsen található kiemelkedések illeszkedjenek a csapágyházon levő bevágásokhoz. Ezután fordítsa a tárcsavédőt olyan szögbe, hogy a végzendő munkafolyamatnak megfelelően védeni tudja a kezelőt.

► **Ábra6:** 1. Tárcsavédő 2. Csapágyház

► **Ábra7:** 1. Tárcsavédő

Húzza meg biztonságosan az anyát egy csavarkulccsal, majd zárja le a kart a nyíl irányába a tárcsavédő rögzítéséhez. Ha a kar túl szoros vagy túl laza a tárcsavédő rögzítéséhez, nyissa ki a kart, majd lazítsa meg, illetve húzza meg az anyát a csavarkulccsal, hogy beállítsa a tárcsavédő szalag feszességét.

► **Ábra8:** 1. Anya 2. Kar

A tárcsavédő eltávolításához kövesse a felszerelési eljárást fordított sorrendben.

## Sülyesztett középfuratú tárcsa vagy lapos tárcsa felszerelése

### Opcionális kiegészítők

**▲ FIGYELMEZTETÉS:** Sülyesztett középfuratú tárcsa vagy lapos tárcsa használatakor a tárcsavédőt úgy kell felszerelni a szerszáma, hogy zárt oldalával mindig a kezelő felé nézzen.

**▲ FIGYELMEZTETÉS:** Ügyeljen arra, hogy a belső illesztőperem foglalata tökéletesen illeszkedjen a sülyesztett középfuratú tárcsa vagy lapos tárcsa belső átmérőjébe. Amennyiben a belső illesztőperemet a rossz oldalra szereli fel, veszélyes rezgés jöhet létre.

Helyezze a belső illesztőperemet az orsóra.

Ügyeljen arra, hogy a belső illesztőperem fogazott részét az egyenes részre tegye az orsó aljánál. Illessze a tárcsát / korongot a belső illesztőperemre, és csavarja fel a rögzítőanyát úgy, hogy a kiemelkedő felülete felfelé nézzen.

► **Ábra9:** 1. Rögzítőanya 2. Sülyesztett középfuratú tárcsa 3. Belső illesztőperem 4. Foglalat

A rögzítőanya meghúzásához határozottan nyomja le a tengelyretest, hogy a tengely ne tudjon forogni, majd a rögzítőanya kulcsával szorosan húzza meg az anyát az óramutató járásával megegyező irányba.

► **Ábra10:** 1. Rögzítőanya kulcsa 2. Tengelyretest

A tárcsa eltávolításához kövesse a felszerelési eljárást fordított sorrendben.

## A vágókorong felszerelése és eltávolítása

### Opcionális kiegészítők

**▲ FIGYELMEZTETÉS:** Mindig alkalmazza a mellékelt tárcsavédőt, ha vágókorong van a gépre szerelve. A korong széttröhet a használat során, és a tárcsavédő csökkenti a személyi sérülések kockázatát.

► **Ábra11:** 1. Rögzítőanya 2. Vágókorong 3. Alátétlap 4. Belső illesztőperem

Kövesse a sülyesztett középfuratú tárcsa használatára vonatkozó utasításokat, de a tárcsára tegye fel az alátétlapot is.

## A csiszolótárcsa felhelyezése és eltávolítása

### Opcionális kiegészítők

► **Ábra12:** 1. Csiszoló rögzítőanya 2. Csiszolótárcsa 3. Gumitalp

1. Szerelje a gumitalpat az orsóra.
2. Illessze a korongot a gumitalpra, és csavarja a csiszoló rögzítőanyát az orsóra.
3. Tartsa meg az orsót a tengelyretesttel, és húzza meg a csiszoló rögzítőanyát az óramutató járásával megegyező irányban a rögzítőanya kulcsával.

A korong eltávolításához kövesse a felhelyezési eljárást fordított sorrendben.

**MEGJEGYZÉS:** Csak az ebben a kézikönyvben leírt kiegészítőket használja a csiszolóhoz. Ezeket külön meg kell vásárolni.

## Extra illesztőperem

### Opcionális kiegészítők

Az extra illesztőperem egy speciális kiegészítő a fék-funkcióval NEM rendelkező típusúhoz.

Az F jelű típusok standard felszereltsége az extra illesztőperem. A hagyományos típusúhoz képest csak 1/3-nyi erőfeszítésre van szükség a rögzítőanya kilazításához.

## Az Ezynut felhelyezése és eltávolítása

### Opcionális kiegészítők

**Kizárólag M14 orsómenetes szerszámokhoz.**

**▲ VIGYÁZAT:** Ne használjon Ezynut rögzítőanyát az extra illesztőperemmel együtt. Azok az illesztőperemek olyan vastagok, hogy az orsó nem tudja fogadni a teljes menetet.

Szerelje fel a belső karimát, a csiszolókorongot és az Ezynut rögzítőanyát az orsóra úgy, hogy az Ezynut rögzítőanyán lévő Makita logó kívül legyen.

► **Ábra13:** 1. Ezynut rögzítőanya 2. Csiszolókorong 3. Belső illesztőperem 4. Orsó

Nyomja meg erősen a tengelyzárat, és húzza meg az Ezynut rögzítőanyát úgy, hogy a csiszolókorongot addig forgtatja az órajárás irányába, amíg lehet.

► **Ábra14:** 1. Tengelyretest

Az Ezynut lazításához tekerje az Ezynut külső gyűrűjét az órajárással ellentétes irányba.

**MEGJEGYZÉS:** Az Ezynut rögzítőanyát kézzel meg lehet lazítani, amennyiben a nyíl a bevágásra mutat. Máskülönbent rögzítőanyás csavarkulcsra van szükség a meglazításához. Helyezze a kulcs egyik szegét egy lyukba, és fordítsa az Ezynut rögzítőanyát az órajárással ellentétes irányba.

► **Ábra15:** 1. Nyíl 2. Bevágás

► **Ábra16**



## Daraboló köszörűtárcsa / gyémánttárcsa felhelyezése

### Opcionális kiegészítők

**▲ FIGYELMEZTETÉS:** Daraboló köszörűtárcsa/gyémánttárcsa használatakor ügyeljen arra, hogy csak daraboló köszörűtárcsához készített tárcsavédőt alkalmazzon.

**▲ FIGYELMEZTETÉS:** SOHA ne használjon darabolótárcsát oldalköszörüléshez.

Helyezze a belső illesztőperemet az orsóra. Illessze a tárcsát/korongot a belső illesztőperemre, és csavarja fel a rögzítőanyát az orsóra.

► **Ábra17:** 1. Rögzítőanya 2. Daraboló köszörűtárcsa / gyémánttárcsa 3. Belső illesztőperem 4. Tárcsavédő daraboló köszörűtárcsához / gyémánttárcsához

### Ausztrália és Új-Zéland

► **Ábra18:** 1. Rögzítőanya 2. Külső illesztőperem, 78 3. Daraboló köszörűtárcsa / gyémánttárcsa 4. Belső illesztőperem, 78 5. Tárcsavédő daraboló köszörűtárcsához / gyémánttárcsához

## Drótkefecsésze felhelyezése

### Opcionális kiegészítők

**▲ VIGYÁZAT:** Ne használjon sérült vagy kiegyensúlyozatlan kefét. A sérült kefe használata megnöveli a sérülés veszélyét, mely a törött drótszákkal való érintkezéskor következhet be.

Helyezze a szerszámot fejjel lefelé, hogy könnyen hozzáférjen az orsóhoz.

Szerelje le az orsóról a kiegészítőket. Szerelje fel a drótkefecsészt az orsóra, és húzza meg a mellékelt villáskulccsal.

► **Ábra19:** 1. Drótkefecsésze

## Drótkorong felhelyezése

### Opcionális kiegészítők

**▲ VIGYÁZAT:** Ne használjon sérült vagy kiegyensúlyozatlan drótkorongot. A sérült drótkorong használata megnöveli a sérülés veszélyét, mely a törött drótszákkal való érintkezéskor következhet be.

**▲ VIGYÁZAT:** Drótkorong használatakor MINDIG használjon olyan átmérőjű tárcsavédőt, amelyben megfelelően elfér a drótkorong. A korong széttröhet a használat során, és a tárcsavédő csökkenti a személyi sérülések kockázatát.

Helyezze a szerszámot fejjel lefelé, hogy könnyen hozzáférjen az orsóhoz.

Szerelje le az orsóról a kiegészítőket. Csavarja fel a drótkorongot az orsóra, és húzza meg a villáskulccsokkal.

► **Ábra20:** 1. Drótkorong

## A lyukvágó beszerelése

### Opcionális kiegészítők

Helyezze a szerszámot fejjel lefelé, hogy könnyen hozzáférjen az orsóhoz.

Szerelje le az orsóról a kiegészítőket. Csavarja fel a lyukvágót az orsóra, és húzza meg a mellékelt villáskulccsal.

► **Ábra21:** 1. Lyukvágó

## Porgyújtó tárcsavédő felszerelése csiszoláshoz

Csak a GA7020S / GA9020S típus esetében

### Opcionális kiegészítők

Opcionális tartozékokkal betonfelületek csiszolására használhatja a szerszámot.

**▲ VIGYÁZAT:** A távtartó gyémánttárcsa porgyújtó tárcsavédőjét csak akkor használja, ha betonfelületet csiszol távtartós gyémánttárcsával. Ne használja ezt a védőt más vágótartozékkal vagy más célra.

**▲ VIGYÁZAT:** A művelet megkezdése előtt gondoskodjon róla, hogy a szerszámhoz porszívó legyen csatlakoztatva, és be legyen kapcsolva.

Helyezze a szerszámot fejjel lefelé, és szerelje be a porgyújtó tárcsavédőt.

Helyezze a belső illesztőperemet az orsóra.

Illessze a tányér típusú gyémánttárcsát a belső illesztőperemre, és szorítsa meg a rögzítőanyát az orsón.

► **Ábra22:** 1. Rögzítőanya 2. Tányér típusú gyémánttárcsa 3. Kerékagyas tányér típusú gyémánttárcsa 4. Belső illesztőperem 5. Porgyújtó tárcsavédő 6. Csapágyház

**MEGJEGYZÉS:** A porgyújtó tárcsavédő felszerelésére vonatkozó információt a porgyújtó tárcsavédő útmutatójában találja.

## Porgyújtó tárcsavédő felszerelése daraboláshoz

### Opcionális kiegészítők

Opcionális tartozékokkal kő vágására használhatja a szerszámot.

► **Ábra23**

**MEGJEGYZÉS:** A porgyújtó tárcsavédő felszerelésére vonatkozó információt a porgyújtó tárcsavédő útmutatójában találja.

## A porvédő toldalék felszerelése és eltávolítása

### Opcionális kiegészítők

**⚠VIGYÁZAT:** A porvédő toldalék felszerelése vagy eltávolítása előtt minden esetben ellenőrizze, hogy a szerszám ki van kapcsolva és áramtalanítva lett. Ha nem így tesz, károsodhat a szerszám vagy személyi sérülést okozhat.

Szerelje fel a porvédő toldalékot mindegyik megadott pozícióba.  
A részleteket a porvédő toldalék használati kézikönyvében találja.

**MEGJEGYZÉS:** Tisztítsa ki a porvédő toldalékot, ha azt por vagy idegen tárgyak eltömítik. A munka folytatása eltömődött porvédő toldalékkal károsítja a szerszámot.

## MŰKÖDTETÉS

**⚠FIGYELMEZTETÉS:** Soha nem szabad erőltetni a szerszámot. A szerszám súlya elegendő nyomóerőt biztosít. Az erőltetés és a túlzott nyomás kifejtés a tárcsa töréséhez vezethet, ami veszélyes.

**⚠FIGYELMEZTETÉS:** MINDIG cserélje ki a tárcsát, ha a szerszám leeseett csiszolás közben.

**⚠FIGYELMEZTETÉS:** SOHA ne csapja vagy üsse oda a tárcsát a munkadarabhoz.

**⚠FIGYELMEZTETÉS:** Kerülje el a tárcsa visszaugrását és kiugrását, különösen sarkok, éles szélek stb. megmunkálásakor. Ekkor a szerszám irányíthatatlanná válik és visszarughat.

**⚠FIGYELMEZTETÉS:** SOHA ne használja a szerszámot favágó tárcsákkal és más fűrésztárcsákkal. Az ilyen fűrésztárcsák a csiszolón gyakran megugranak és a szerszám irányíthatatlanná válik, ami személyi sérülésekhez vezethet.

**⚠VIGYÁZAT:** Soha ne kapcsolja be a szerszámot, ha az érintkezik a munkadarabbal, mert ez a kezeli sérülését okozhatja.

**⚠VIGYÁZAT:** A használat alatt mindig viseljen védőszemüveget vagy arcvédőt.

**⚠VIGYÁZAT:** A használat végén mindig kapcsolja ki a szerszámot, és várja meg, amíg a tárcsa teljesen megáll, ezután tegye le a szerszámot.

**⚠VIGYÁZAT:** MINDIG szilárdan fogja a szerszámot egyik kezét a burkolaton, a másikat pedig az oldalmarkolaton (fogantyún) tartva.

**MEGJEGYZÉS:** A kettős célú tárcsa köszörülési és darabolási műveletekhez egyaránt használható.

A köszörülési műveleteket lásd a „Köszörülés és csiszolás”, a darabolási műveleteket pedig a „Műveletek daraboló köszörűtárcsával/gyémánttárcsával” szakaszban.

## Köszörülés és csiszolás

### ► Ábra24

Kapcsolja be a szerszámot, majd vigye a tárcsát vagy a korongot a munkadarabhoz.

Általában a korong vagy a tárcsa szélét a 15 fokos szögben kell a munkadarab felületéhez tartani. Új tárcsa bejáratakor ne használja a csiszolót előrefelé, mert akkor belevág a munkadarabba. Miután a tárcsa széle lekerekedett a használat során, a tárcsával előre- és hátrafelé is végezhető megmunkálás.

**Használati példa: műveletek tányér típusú gyémánttárcsával**

### ► Ábra25

Tartsa a szerszámot vízszintesen, és a teljes tányér típusú gyémánttárcsát tegye a munkadarab felületére.

## Műveletek daraboló köszörűtárcsával/gyémánttárcsával

### Opcionális kiegészítők

**⚠FIGYELMEZTETÉS:** Ne „akassza meg”, és ne nyomja túlzott erővel a tárcsát. Ne próbáljon túl mély vágást végezni. A tárcsa túl nagy igénybevétele növeli a terhelést, és a tárcsa kifordulhat vagy megszorulhat a vágásban, és nő a visszarughásnak, a tárcsa eltörésének és a motor túlhevülésének veszélye.

**⚠FIGYELMEZTETÉS:** A vágást ne kezdje a munkadarabban. Hagyja, hogy a tárcsa elérje a teljes fordulatszámot, majd óvatosan vigye a vágásba, és mozgassa előre a szerszámot a munkafelületen. Ha az elektromos szerszámot a munkadarabban indítja újra, a tárcsa szorulhat, kiléphet vagy visszarughat.

**⚠FIGYELMEZTETÉS:** Vágási műveletek alatt soha ne változtasson a tárcsa szögén. A darabolótárcsa oldalnyomása (köszörülésnél is) a tárcsa repedését és törését okozza, ami veszélyes sérüléshez vezet.

**⚠FIGYELMEZTETÉS:** A gyémánttárcsát tartsa a darabolandó anyagra merőlegesen.

**Használati példa: műveletek daraboló köszörűtárcsával**

### ► Ábra26

**Használati példa: műveletek gyémánttárcsával**

### ► Ábra27

## Drótkefecsészével végzett műveletek

### Opcionális kiegészítők

**⚠ VIGYÁZAT:** Ellenőrizze a kefe működését a szerszám terhelés nélküli beindításával, és közben ügyeljen arra, hogy senki ne legyen a kefe előtt, vagy annak vonalában.

**MEGJEGYZÉS:** A drótkefecsésze használata közben ne alkalmazzon túlzott mértékű nyomást, mert ezzel a drótszálak túlzott elhajlását okozza. Ez pedig a drótszálak korai töréséhez vezethet.

Használati példa: drótkefecsészével végzett műveletek

► Ábra28

## Drótkoronggal végzett műveletek

### Opcionális kiegészítők

**⚠ VIGYÁZAT:** Ellenőrizze a drótkorong működését a gép terhelés nélküli beindításával, és ügyeljen arra, hogy senki ne legyen a drótkorong előtt, illetve annak vonalában.

**MEGJEGYZÉS:** A drótkorong használata közben ne alkalmazzon túlzott mértékű nyomást, mert ezzel a drótszálak túlzott elhajlását okozza. Ez pedig a drótszálak korai töréséhez vezethet.

Használati példa: drótkoronggal végzett műveletek

► Ábra29

## Működtetés lyukvágóval

### Opcionális kiegészítők

**⚠ VIGYÁZAT:** Ellenőrizze a lyukvágó működését a szerszám terhelés nélküli beindításával, és közben ügyeljen arra, hogy senki ne legyen a lyukvágó előtt.

**MEGJEGYZÉS:** Működés közben ne döntse meg a szerszámot. Ez korai töréshez vezethet.

Használati példa: műveletek lyukvágóval

► Ábra30

## KARBANTARTÁS

**⚠ VIGYÁZAT:** Mielőtt a vizsgálatához vagy karbantartásához kezdene, mindig bizonyosodjon meg arról hogy a szerszámot kikapcsolta és a hálózatról lecsatlakoztatta.

**MEGJEGYZÉS:** Soha ne használjon gázolajt, benzint, hígítót, alkoholt vagy hasonló anyagokat. Ezek elszívődést, alakvesztést vagy repedést okozhatnak.

A termék BIZTONSÁGÁNAK és MEGBÍZHATÓSÁGÁNAK fenntartása érdekében a javításokat és más karbantartásokat vagy beállításokat a Makita hivatalos vagy gyári szervizközpontjában kell elvégezni, mindig csak Makita cserealkatrészeket használva.

## A szellőzőnyílások tisztítása

A szerszámot és szellőzőnyílásait tisztán kell tartani. Rendszeresen tisztítsa meg a szerszám szellőzőnyílásait, akkor is, ha kezdenek eltömődni.

► **Ábra31:** 1. Elszívónyílás 2. Beszívónyílás

## A szénkefék cseréje

► **Ábra32:** 1. Kommutátor 2. Szigetelőcsúcs 3. Szénkefe

Ha a műgyantabevonatú szigetelőcsúcs a szénkefén belül érintkezésbe lép a kommutátorral, ez automatikusan leállítja a motort. Ez esetben a szénkefét ki kell cserélni. Tartsa tisztán a szénkefeket, és biztosítsa, hogy szabadon mozoghassanak tartójukban. Mindkét szénkefét egyszerre cserélje ki. Használjon egyforma szénkefeket.

Csavarhúzó segítségével távolítsa el a kefetartó sapkát. Vegye ki a kopott szénkefeket, tegye be az újakat és helyezze vissza a kefetartó sapkát.

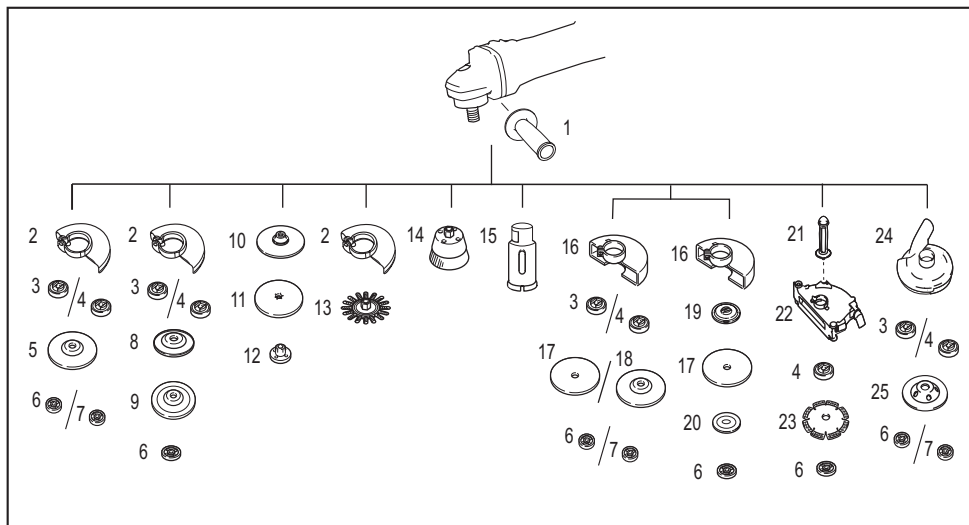
► **Ábra33:** 1. Kefetartó sapka 2. Csavarhúzó

# AZ ALKALMAZÁSOK ÉS KIEGÉSZÍTŐK KOMBINÁCIÓJA

## Opcionális kiegészítők

**▲VIGYÁZAT:** Ha a szerszámot nem megfelelő védővel használja, az az alábbi veszélyeket okozza.

- Ha daraboló tárcsavédőt használ felületi csiszoláshoz, a tárcsavédő hozzáérhet a munkadarabhoz, ami rossz irányítást okoz.
- Ha csiszoló tárcsavédőt használ ragasztott csiszolótárcsákkal és gyémánttárcsákkal végzett darabolási műveletekhez, nagyobb mértékben teszi ki magát a forgó tárcsák, a kibocsátott szikrák és részecskék veszélyeinek, valamint a tárcsa felrobbanása esetén a tárcsaszilánkoknak.
- Ha daraboló tárcsavédőt vagy csiszoló tárcsavédőt használ tányér típusú gyémánttárcsával végzett felületi műveletekhez, a tárcsavédő hozzáérhet a munkadarabhoz, ami rossz irányítást okoz.
- Ha daraboló tárcsavédőt vagy csiszoló tárcsavédőt használ a „RÉSZLETES LEÍRÁS” szakaszban megadott maximális vastagságnál vastagabb korong típusú drótkeféhez, a drótok beleakadhatnak a védőbe, ami a drótok töréséhez vezethet.
- Ha porgyűjtő tárcsavédőt használ a beton és a falazat darabolási és felületi műveleteihez, az csökkent a por expozícióját.
- Amikor kettős célú (kombinált köszörülő és csiszoló daraboló) illesztőperemmel ellátott tárcsákat használ, kizárólag a daraboló tárcsavédőt használja.



-	Alkalmazás	180 mm-es típus	230 mm-es típus
1	-	Oldalmarkolat	
2	-	Tárcsavédő (csiszolókoronghoz)	
3	-	Belső illesztőperem	
4	-	Extra illesztőperem *1	
5	Köszörülés / Csiszolás	Süllyesztett középfuratú korong / lapos tárcsa	
6	-	Rögzítőanya	
7	-	Ezynyut rögzítőanya *1*2	
8	-	Alátétalp	
9	Köszörülés	Vágókorong	
10	-	Gumitalp	
11	Csiszolás	Csiszolótárcsa	
12	-	Csiszoló rögzítőanya	
13	Drótkéfézés	Drótkorong	

-	Alkalmazás	180 mm-es típus	230 mm-es típus
14	Drótkéfézés	Drótkéfcészze	
15	Lyukvágás	Lyukvágó	
16	-	Tárcsavédő (darabolótárcsához)	
17	Darabolás	Daraboló köszörútárcsa / gyémánttárcsa	
18	Köszörülés / Darabolás	Kettős célú tárcsa	-
19	-	78-as belső illesztőperem (csak Ausztrália és Új-Zéland) *3	
20	-	78-as külső illesztőperem (csak Ausztrália és Új-Zéland) *3	
21	-	Oldalmarkolat porgyűjtő tárcsavédőhöz *4	
22	-	Porgyűjtő tárcsavédő daraboláshoz *4*5	
23	Darabolás	Gyémánttárcsa	
24	-	Porgyűjtő tárcsavédő csiszoláshoz *6	
25	Köszörülés	Tányér típusú gyémánttárcsa *6	
-	-	Rögzítőanya kulcsa	
-	-	Porvédő toldalék	

**MEGJEGYZÉS:** \*1 Ne használja együtt az extra illesztőperemet és az Ezynut rögzítőanyát.

**MEGJEGYZÉS:** \*2 Kizárólag M14 orsómenetes szerszámokhoz.

**MEGJEGYZÉS:** \*3 Használja együtt a 78-as belső illesztőperemet és a 78-as külső illesztőperemet. (csak Ausztrália és Új-Zéland)

**MEGJEGYZÉS:** \*4 Használja együtt az oldalmarkolatot a porgyűjtő tárcsavédőhöz és a porgyűjtő tárcsavédőt a daraboláshoz.

**MEGJEGYZÉS:** \*5 További részleteket az egyes védők használati kézikönyvében talál.

**MEGJEGYZÉS:** \*6 Csak a GA7020S / GA9020S típus esetén

További részleteket az egyes védők használati kézikönyvében talál.

## OPCIONÁLIS KIEGÉSZÍTŐK

**⚠ VIGYÁZAT:** Ezen kiegészítőket és tartozékokat javasoljuk a kézikönyvben ismertetett Makita szerszámhoz. Bármilyen más kiegészítő vagy tartozék használata a személyi sérülés kockázatával jár. A kiegészítőt vagy tartozékokat csak rendeltetészerűen használja.

Ha bármilyen segítségre vagy további információra van szüksége ezekkel a tartozékokkal kapcsolatban, keresse fel a helyi Makita Szervizközpontot.

- „AZ ALKALMAZÁSOK ÉS KIEGÉSZÍTŐK KOMBINÁCIÓJA” szakaszban felsorolt kiegészítők

**MEGJEGYZÉS:** A listán felsorolt néhány kiegészítő megtalálható az eszköz csomagolásában standard kiegészítőként. Ezek országonként eltérőek lehetnek.






# TECHNICKÉ ŠPECIFIKÁCIE

Model:		GA7020 / GA7020Y	GA7020S	GA7021	GA9020 / GA9020Y	GA9020S
Použiteľný brúsny kotúč	Max. priemer obrábacieho kotúča	180 mm			230 mm	
	Max. hrúbka kotúča	7,2 mm			6,5 mm	
Použiteľný rozbrusovací kotúč	Max. priemer obrábacieho kotúča	180 mm			230 mm	
	Max. hrúbka kotúča	4,0 mm			3,2 mm	
Použiteľná drôtená kotúčová kefa	Max. priemer obrábacieho kotúča	150 mm			175 mm	
	Max. hrúbka kotúča	20 mm				
Závit vretena		M14 alebo M16 alebo 5/8" (špecifické pre konkrétnu krajinu)				
Max. dĺžka vretena		26 mm				
Rýchlosť bez záťaže (n <sub>0</sub> )/menovitá rýchlosť (n)		8 500 min <sup>-1</sup>			6 600 min <sup>-1</sup>	
Celková dĺžka		473 mm				
Čistá hmotnosť		5,6 – 7,8 kg	5,7 – 7,9 kg	5,6 – 7,8 kg	5,8 – 7,9 kg	5,8 – 8,0 kg
Trieda bezpečnosti		□/II				

- Vzhľadom na neustály výskum a vývoj podliehajú technické údaje uvedené v tomto dokumente zmenám bez upozornenia.
- Technické údaje sa môžu pre rôzne krajiny líšiť.
- Hmotnosť sa môže meniť v závislosti od namontovaného príslušenstva. Najľahšia a najťažšia kombinácia v súlade s postupom EPTA 01/2014 je uvedená v tabuľke.

## Symbole

Nižšie sú uvedené symboly, ktoré sa môžu používať pri tomto nástroji. Je dôležité, aby ste poznali ich význam, skôr než začnete pracovať.

	Prečítajte si návod na obsluhu.
	Používajte ochranné okuliare.
	Vždy používajte obe ruky.
	Pri rozbrusovaní nepoužívajte kryt kotúča.
	DVOJITÁ IZOLÁCIA



Len pre štáty EÚ

Z dôvodu prítomnosti nebezpečných komponentov v zariadení môžu mať použité elektrické a elektronické zariadenia negatívny vplyv na životné prostredie a ľudské zdravie.

Elektrické a elektronické zariadenia nelikvidujte spolu s komunálnym odpadom! V súlade s európskou smernicou o odpade z elektrických a elektronických zariadení a v súlade s prispôbenými vnútroštátnymi právnymi predpismi by sa použité elektrické a elektronické zariadenia mali zbierať osobitne a odovzdávať na samostatnom zbernom mieste pre komunálny odpad, ktoré sa priravďkuje v súlade s predpismi na ochranu životného prostredia. Označujte to symbol preškrtnutej smetnej nádoby na zariadení.

## Určené použitie

Tento nástroj je určený na brúsenie, pieskovanie, brúsenie drôteným kotúčom, vyrezávanie otvorov a rezanie kovových a kamenných materiálov bez použitia vody.

## Napájanie

Nástroj sa môže pripojiť len k zodpovedajúcemu zdroju s napätím rovnakým, aké je uvedené na typovom štítku, a môže pracovať len s jednofázovým striedavým napätím. Nástroj je vybavený dvojitou izoláciou, a preto sa môže používať pri zapojení do zásuviek bez uzemňovacieho vodiča.

## Pre verejné nízkonapäťové rozvodné systémy s napätím 220 V až 250 V

Prepínanie elektrického zariadenia spôsobuje kolísanie napätia. Prevádzka tohto zariadenia za nepriaznivých podmienok v sieti môže mať nepriaznivý vplyv na prevádzku iných zariadení. Pri impedancii siete rovnjej alebo nižšej než 0,27 ohmov možno predpokladať, že nenastanú žiadne negatívne účinky. Sieťová zástrčka použitá pre toto zariadenie musí byť chránená poistkou alebo ochranným ističom s pomalými charakteristikami vypínania.

## Hluk

Typická hladina akustického tlaku záťaže A určená podľa štandardu EN62841-2-3:

Model	Úroveň akustického tlaku ( $L_{pA}$ ): (dB (A))	Úroveň akustického výkonu ( $L_{wA}$ ): (dB (A))	Odchýlka (K): (dB (A))
GA7020 / GA7020Y	92	100	3
GA7020S	92	100	3
GA7021	92	100	3
GA9020 / GA9020Y	92	100	3
GA9020S	92	100	3

**POZNÁMKA:** Deklarovaná hodnota emisií hluku bola meraná podľa štandardnej skúšobnej metódy a môže sa použiť na porovnanie jedného nástroja s druhým.

**POZNÁMKA:** Deklarovaná hodnota emisií hluku sa môže použiť aj na predbežné posúdenie vystavenia ich účinkom.

**VAROVANIE:** Používajte ochranu sluchu.

**VAROVANIE:** Emisie hluku sa môžu počas skutočného používania elektrického nástroja odlišovať od deklarovanej hodnoty, a to v závislosti od spôsobov používania náradia a najmä typu spracúvaného obrobku.

**VAROVANIE:** Nezabudnite označiť bezpečnostné opatrenia s cieľom chrániť obsluhu, a to tie, ktoré sa zakladajú na odhade vystavenia účinkom v rámci reálnych podmienok používania (berúc do úvahy všetky súčasti prevádzkového cyklu, ako sú doby, kedy je nástroj vypnutý a kedy beží bez zaťaženia, ako dodatok k dobe zapnutia).

**VAROVANIE:** Brúsenie tenkých plechov alebo iných ľahko vibrujúcich konštrukcií s veľkou plochou môže mať za následok oveľa vyššie celkové emisie hluku (až do 15 dB), než sú deklarované hodnoty.

Pri takýchto obrobkoch použite ťažké ohybné tlmiace podložky, aby nevydávali hluk.

Zvýšené emisie hluku zohľadnite pri hodnotení rizík vystavenia hluku a výbere adekvátnych chráničov sluchu.

## Vibrácie

Celková hodnota vibrácií (trojosový vektorový súčet) určená podľa štandardu EN62841-2-3:

**Pracovný režim: brúsenie povrchov so štandardnou bočnou rukoväťou**

Model	Emisie vibrácií ( $a_{hv, AG}$ ): ( $m/s^2$ )	Odchýlka (K): ( $m/s^2$ )
GA7020 / GA7020Y	8,5	1,5
GA7020S	8,5	1,5
GA7021	5,0	1,5
GA9020 / GA9020Y	5,5	1,5
GA9020S	5,5	1,5

## Pracovný režim: brúsenie povrchov s antivibračnou bočnou rukoväťou

Model	Emisie vibrácií ( $a_{hv, AG}$ ): (m/s <sup>2</sup> )	Odchýlka (K): (m/s <sup>2</sup> )
GA7020 / GA7020Y	8,0	1,5
GA7020S	8,0	1,5
GA7021	4,5	1,5
GA9020 / GA9020Y	5,5	1,5
GA9020S	5,5	1,5

## Pracovný režim: kotúčové brúsenie so štandardnou bočnou rukoväťou

Model	Emisie vibrácií ( $a_{hv, DS}$ ): (m/s <sup>2</sup> )	Odchýlka (K): (m/s <sup>2</sup> )
GA7020 / GA7020Y	2,5	1,5
GA7020S	2,5	1,5
GA7021	2,5 m/s <sup>2</sup> alebo menej	1,5
GA9020 / GA9020Y	2,5 m/s <sup>2</sup> alebo menej	1,5
GA9020S	2,5 m/s <sup>2</sup> alebo menej	1,5

## Pracovný režim: kotúčové brúsenie s antivibračnou bočnou rukoväťou

Model	Emisie vibrácií ( $a_{hv, DS}$ ): (m/s <sup>2</sup> )	Odchýlka (K): (m/s <sup>2</sup> )
GA7020 / GA7020Y	2,5	1,5
GA7020S	2,5	1,5
GA7021	2,5 m/s <sup>2</sup> alebo menej	1,5
GA9020 / GA9020Y	2,5 m/s <sup>2</sup> alebo menej	1,5
GA9020S	2,5 m/s <sup>2</sup> alebo menej	1,5

**POZNÁMKA:** Deklarovaná celková hodnota vibrácií bola meraná podľa štandardnej skúšobnej metódy a môže sa použiť na porovnanie jedného nástroja s druhým.

**POZNÁMKA:** Deklarovaná celková hodnota vibrácií sa môže použiť aj na predbežné posúdenie vystavenia ich účinkom.

**VAROVANIE:** Emisie vibrácií sa môžu počas skutočného používania elektrického nástroja odlišovať od deklarovanej hodnoty, a to v závislosti od spôsobov používania náradia a najmä typu spracúvaného obrobku.

**VAROVANIE:** Nezabudnite označiť bezpečnostné opatrenia s cieľom chrániť obsluhu, a to tie, ktoré sa zakladajú na odhade vystavenia účinkom v rámci reálnych podmienok používania (berúc do úvahy všetky súčasti prevádzkového cyklu, ako sú doby, kedy je nástroj vypnutý a kedy beží bez zaťaženia, ako dodatok k dobe zapnutia).

**VAROVANIE:** Deklarovaná hodnota vibrácií sa používa pre hlavné aplikácie elektrického náradia. Pokiaľ sa však náradie používa na iné účely, hodnota emisií vibrácií môže byť iná.

## Vyhlasenie o zhode ES

### Len pre krajinu Európy

Vyhlasenie o zhode ES sa nachádza v prílohe A tohto návodu na obsluhu.

## BEZPEČNOSTNÉ VAROVANIA

### Všeobecné bezpečnostné predpisy pre elektrické nástroje

**VAROVANIE** Preštudujte si všetky bezpečnostné varovania, pokyny, vyobrazenia a technické špecifikácie určené pre tento elektrický nástroj. Pri nedodržaní všetkých nižšie uvedených pokynov môže dôjsť k úrazu elektrickým prúdom, požiaru alebo vážnemu zraneniu.

## Všetky výstrahy a pokyny si odložte pre prípad potreby v budúcnosti.

Pojem „elektrický nástroj“ sa vo výstrahách vzťahuje na elektricky napájané elektrické nástroje (s káblom) alebo batériou napájané elektrické nástroje (bez kábla).

## Bezpečnostné varovania pre brúsku

Spoločné bezpečnostné varovania pre operácie brúsenia, pieskovania, brúsenia drôteným kotúčom alebo rozbrusovania:

1. Tento elektrický nástroj funguje ako brúska, pieskovač, drôtená kefa, vyrezávač dier alebo rozbrusovací nástroj. Preštudujte si všetky bezpečnostné varovania, pokyny, vyobrazenia a technické špecifikácie určené pre tento elektrický nástroj. Pri nedodržaní všetkých nižšie uvedených pokynov môže dôjsť k úrazu elektrickým prúdom, požiaru alebo vážnemu zraneniu.
2. Týmto elektrickým nástrojom sa nesmú vykonávať činnosti, ako je napríklad leštenie. Používanie na činnosti, na ktoré tento elektrický nástroj nie je určený, môže zvyšovať riziko a spôsobiť zranenie osôb.



3. **Tento elektrický nástroj neupravujte tak, aby sa dal použiť spôsobom, ktorý nie je špeciálne navrhnutý a špecifikovaný výrobcom nástroja.** Takáto úprava môže mať za následok stratu kontroly a môže spôsobiť vážne zranenie osôb.
  4. **Nepoužívajte príslušenstvo, ktoré nie je výslovné určené a špecifikované výrobcom nástroja.** Skutočnosť, že príslušenstvo možno pripojiť k vášmu elektrickému nástroju, nezaistuje bezpečnú prevádzku.
  5. **Menovitá rýchlosť príslušenstva sa musí minimálne rovnať maximálnej rýchlosti vyznačenej na elektrickom nástroji.** Príslušenstvo prevádzkované vyššou rýchlosťou ako jeho menovitá rýchlosť môže prasknúť a rozpadnúť sa.
  6. **Vonkajší priemer a hrúbka vášho príslušenstva musí byť v rozmedzí menovitej kapacity elektrického nástroja.** Príslušenstvo nesprávnej veľkosti nemožno správne chrániť pomocou chráničov ani ovládať.
  7. **Rozmery upevnenia príslušenstva musia zodpovedať rozmerom montážneho hardvéru elektrického nástroja.** Príslušenstvo, ktoré nevychováje montážnym prvkom elektrického nástroja, bude fungovať nevyvážené, bude nadmerne vibrovať, čo môže mať za následok stratu kontroly.
  8. **Nepoužívajte poškodené príslušenstvo.** Pred každým použitím skontrolujte príslušenstvo, napríklad brúsne kotúče, či na nich nie sú úlomky a praskliny, oporné podložky, či na nich nie sú praskliny, trhliny alebo nie sú nadmerne opotrebované, drôtenú kefu, či nemá uvoľnené alebo popraskané drôty. Ak elektrický nástroj alebo príslušenstvo spadne, skontrolujte, či nedošlo k poškodeniu, alebo namontujte nepoškodené príslušenstvo. Po kontrole a namontovaní príslušenstva sa postavte vy aj okolostojaci mimo roviny otáčajúceho sa príslušenstva a spustíte elektrický nástroj na maximálnu rýchlosť bez záťaže na jednu minútu. Poškodené príslušenstvo sa za normálnych okolností počas doby tohto testu rozpadne.
  9. **Používajte osobné ochranné prostriedky. V závislosti od typu použitia používajte štít na tvár, ochranné okuliare alebo bezpečnostné okuliare.** Podľa potreby použite protiprachovú masku, chrániče sluchu, rukavice a pracovnú zásteru schopnú zastaviť malé úlomky brusiva alebo obrobku. Ochrana zraku musí byť schopná zastaviť odletujúce úlomky vznikajúce pri rôznych aplikáciách. Protiprachová maska alebo respirátor musia byť schopné filtrovať častičky vznikajúce pri konkrétnej aplikácii. Dlhodobé vystavenie intenzívnemu huku môže spôsobiť stratu sluchu.
  10. **Okolostojacich udržiavajte v bezpečnej vzdialenosti od miesta práce.** Každý, kto vstúpi na miesto práce, musí používať osobné ochranné prostriedky. Úlomky obrobku alebo poškodené príslušenstvo môže odletieť a spôsobiť zranenie aj mimo bezprostredného miesta práce.
  11. **Ak pri práci hrozí, že by rezné príslušenstvo mohlo prísť do kontaktu so skrytým vedením alebo vlastným káblom, držte elektrický nástroj len za izolované úchopné povrchy.** Rezné príslušenstvo, ktoré sa dostane do kontaktu s vodičom pod napätím, môže spôsobiť prechod elektrického prúdu kovovými časťami elektrického nástroja a spôsobiť tak obsluhu zasiahnutie elektrickým prúdom.
  12. **Kábel umiestnite ďalej od otáčajúceho sa príslušenstva.** V prípade straty kontroly nad nástrojom môže dôjsť k prerezaniu alebo zachyteniu kábla alebo vtiahnutiu vašej ruky do otáčajúceho sa príslušenstva.
  13. **Elektrický nástroj nikdy neodkladajte, kým sa príslušenstvo úplne nezastaví.** Otáčajúce sa príslušenstvo sa môže zachytiť o povrch a spôsobiť vytrhnutie elektrického nástroja z rúk.
  14. **Nikdy nespúšťajte elektrický nástroj, keď ho prenášate.** Pri náhodnom kontakte by sa do otáčajúceho sa príslušenstva mohol zachytiť odev a pritiahnuť príslušenstvo k vášmu telu.
  15. **Pravidelne čistite priechody elektrického nástroja.** Ventilátor motora vŕhajúce prach do krytu a nadmerné nahromadenie práškoveho kovu môže spôsobiť riziko zásahu elektrickým prúdom.
  16. **Nepoužívajte elektrický nástroj v blízkosti horľavých materiálov.** Iskry by mohli spôsobiť vznietenie týchto materiálov.
  17. **Nepoužívajte príslušenstvo, ktoré vyžaduje chladenie kvapalinou.** Pri použití vody alebo inej chladiacej kvapaliny by mohlo dôjsť k usmrteniu alebo zásahu elektrickým prúdom.
- Spätný náraz a súvisiace varovania:**  
Spätný náraz je náhla reakcia na zovretí alebo pritlačený rotujúci kotúč, opornú podložku, kefu alebo iné príslušenstvo. Zoškrtenie alebo pritlačenie spôsobí náhle spomalenie otáčajúceho sa príslušenstva, čo zase spôsobí nekontrolované uskočenie elektrického nástroja v opačnom smere, ako sa otáča príslušenstvo v momente zovretia. Ak napríklad dôjde k zovretiu alebo zaseknutiu brúsneho kotúča v obrobku, okraj kotúča v bode zovretia sa môže zaseknúť do povrchu materiálu a spôsobiť vyskočenie alebo spätý náraz kotúča. Kotúč môže odskočiť smerom k obsluhujúcej osobe alebo smerom od nej, závisí to od smeru otáčania kotúča v mieste zovretia. Brúsne kotúče sa môžu v takomto prípade aj zlomiť. Spätný náraz je dôsledkom nesprávneho používania elektrického nástroja, prípadne k nemu dochádza v dôsledku nesprávnych prevádzkových postupov alebo podmienok a možno mu predchádzať uplatňovaním správnych bezpečnostných opatrení uvedených nižšie.
1. **Elektrický nástroj držte stále pevne oboma rukami a telo a ruky majte v polohe, ktorá vám umožní zvládnuť spätého nárazu.** Vždy používajte aj pomocnú rúčku, ak je súčasťou nástroja, čím dosiahnete maximálnu kontrolu nad spätým nárazom alebo momentovou reakciou pri spustení. Sily spätého nárazu alebo momentových reakcií môže obsluhujúca osoba ovládnuť, ak vykoná príslušné protipatrenia.
  2. **Nikdy nedávajte ruku do blízkosti otáčajúceho sa príslušenstva.** Príslušenstvo môže vykonať spätý náraz ponad vašu ruku.
  3. **Nepribližujte sa telom do oblasti, kam sa pohne elektrický nástroj, keď nastane spätý náraz.** Spätý náraz vymrští nástroj v opačnom smere, ako je pohyb kotúča v bode pritlačenia.
  4. **Pri opracovávaní rohov, ostrých hrán a pod. buďte zvlášť opatrní.** Zabráňte odsakovaniu a zasekávaniu príslušenstva. Príslušenstvo sa často zasekáva na rohoch, ostrých hranách alebo pri odsakovaní, čo môže spôsobiť stratu kontroly alebo spätý náraz.

5. Nemontujte pilový reťaz, rezbárske ostrie, segmentový diamantový kotúč s obvodovým priemerom väčším ako 10 mm ani ozubenú čepeľ píly. Takéto ostria často spôsobujú spätný náraz a stratu kontroly.

#### Špecifické bezpečnostné varovania pre operácie brúsenia a rozbrusovania:

1. Používajte len typy kotúčov, ktoré sú určené pre váš elektrický nástroj a špecifický ochranný kryt určený pre zvolený kotúč. Kotúče, ktoré nie sú určené pre tento elektrický nástroj, nemôžu byť dostatočne chránené a nie sú bezpečné.
2. Brusný povrch plochých kotúčov sa musí namontovať pod rovinu okraja chrániča. Nesprávne namontovaný kotúč vyčnievajúci cez rovinu okraja chrániča nemôže byť správne chránený.
3. Chránič musí byť bezpečne upevnený na elektrický nástroj a musí byť nastavený na maximálnu bezpečnosť, aby bola obsluha vystavená čo najmenšej časti kotúča. Ochranný kryt pomáha chrániť obsluhu pred úlomkami z kotúča a náhodným kontaktom s kotúčom a iskrami, ktoré by mohli zapáliť odev.
4. Kotúče sa musia používať jedine na špecifikované aplikácie. Napríklad: nebrúste bočnou stranou rozbrusovacieho kotúča. Abrazívne rozbrusovanie kotúče sú určené na periférne brúsenie; bočné sily aplikované na tieto kotúče by mohli zapríčiniť ich rozlomenie.
5. Vždy používajte nepoškodené príruby kotúčov správnej veľkosti a tvaru pre váš zvolený kotúč. Správne príruby kotúčov podopierajú kotúč a tým znižujú pravdepodobnosť zlomenia kotúča. Príruby pre rozbrusovanie kotúče sa môžu líšiť od prírub pre brusné kotúče.
6. Nepoužívajte vydraté kotúče z väčších elektrických nástrojov. Kotúč určený pre väčšie elektrické nástroje nie je vhodný pre vyššie rýchlosti menších nástrojov a môžu prasknúť.
7. Pri práci s dvojúčelovými kotúčmi vždy používajte správny kryt vzhľadom na aktuálny úkon. Ak nepoužívate správny kryt, nedosiahnete požadovanú úroveň krytia, čo môže viesť k vážnemu zraneniu.

#### Ďalšie bezpečnostné varovania pre operácie rozbrusovania:

1. Rozbrusovací kotúč nestláčajte ani naň nevyvíjajte nadmerný tlak. Nepokúšajte sa rezať príliš hlboko. Prílišné namáhanie kotúča zvyšuje zaťaženie a náchylnosť k stočeniu alebo zovretiu kotúča v reze a pravdepodobnosť spätného nárazu alebo zlomenia kotúča.
2. Nestavajte sa do polohy súbežne alebo za otáčajúci sa kotúč. Keď sa kotúč počas činnosti pohybuje smerom od vás, možný spätný náraz môže vrhnúť rotujúci kotúč a elektrický nástroj priamo na vás.
3. Keď sa kotúč zovrie alebo z nejakého dôvodu potrebujete prerušiť rez, vypnite elektrický nástroj a držte ho bez pohybu, kým sa kotúč úplne zastaví. Nikdy sa nepokúšajte vybrať rozbrusovací kotúč z rezu, kým sa kotúč pohybuje; v opačnom prípade môže dôjsť k spätnému nárazu. Zistíte príčinu zvierania kotúča a vykonajte kroky na jeho odstránenie.
4. Nezačínajte opätovne rezanie s kotúčom v obrobku. Nechajte kotúč dosiahnuť plné otáčky a opatrne ho znovu zasuňte do rezu. Kotúč sa môže zovrieť, vystúpiť nahor alebo naraziť späť, ak elektrický nástroj znovu spustíte v obrobku.

5. Panely a obrobky nadmernej veľkosti podporíte, aby sa minimalizovalo riziko zovretia alebo spätného nárazu kotúča. Veľké obrobky sa zvyknú prehýbať vlastnou váhou. Podpory treba umiestniť pod obrobok na oboch stranách v blízkosti línie rezu a v blízkosti okraja obrobku po oboch stranách kotúča.
6. Buďte zvlášť opatrní pri vytváraní „dutinového rezu“ do existujúcich stien či iných neprehľadných povrchov. Prečnievajúci kotúč sa môže zarezáť do plynových alebo vodovodných potrubí, elektrického vedenia alebo objektov, ktoré môžu zapríčiniť spätný náraz.
7. Nesnažte sa vykonávať zakrivené rezanie. Prílišné namáhanie kotúča zvyšuje zaťaženie a náchylnosť k stočeniu alebo zovretiu kotúča v reze a pravdepodobnosť spätného nárazu alebo zlomenia kotúča, čo môže viesť k vážnemu zraneniu.
8. Pred používaním segmentového diamantového kotúča sa presvedčte, či je obvodová svetlosť medzi segmentmi diamantového kotúča maximálne 10 mm a či majú segmenty len záporný uhol čela.

#### Bezpečnostné varovania špecifické pre operácie pieskovania:

1. Používajte brusné papiere na disk správnej veľkosti. Pri výbere brusných papierov dodržiavajte odporúčania výrobcov. Väčšie brusné papiere prečnievajúce príliš ďaleko mimo brusnú podložku predstavujú riziko spôsobenia tržných rán a môžu zapríčiniť zadrhnutie, roztrhnutie disku alebo spätný náraz.

#### Bezpečnostné varovania špecifické pre brúsenie drôteným kotúčom:

1. Myslite na to, že aj pri bežnej činnosti z kedy vyletujú drôtené štetiny. Drôty nadmerne nenamáhajte prílišným tlakom vyvíjaným na kefu. Drôtené štetiny ľahko preniknú šatstvom a/alebo kožou.
2. Ak je pri brúsení drôteným kotúčom špecifikovaný ochranný kryt, dbajte na to, aby drôtený kotúč alebo kefa nezasahovali do ochranného krytu. Drôtený kotúč alebo kefa sa vďaka pracovnému zaťaženiu a odstredivým silám môžu vo svojom priemere rozliahať.

#### Ďalšie bezpečnostné varovania:

1. Pri používaní plochých kotúčov vždy používajte len kotúče vystužené sklenými vláknami.
2. V spojení s touto bruskou NIKDY NEPOUŽÍVAJTE kotúče na brúsenie kameňa kalichového typu. Táto bruska nebola navrhnutá na používanie týchto typov kotúčov a používanie takéhoto výrobku môže mať za následok vážne osobné poranenie.
3. Dávajte pozor, aby ste nepoškodili vreteno, prírubu (najmä montážnu plochu) ani uzamykaciu maticu. Poškodenie týchto dielov by mohlo spôsobiť narušenie kotúča.
4. Pred zapnutím spínača skontrolujte, či sa kotúč nedotýka obrobku.
5. Skôr ako použijete nástroj na obrobku, nechajte ho chvíľu bežať. Skontrolujte, či nedochádza k vibráciám alebo hádzaniu, ktoré by mohlo naznačovať nesprávnu montáž alebo nesprávne vyvážený kotúč.
6. Na brúsenie používajte na túto činnosť určený povrch kotúča.

7. Nenechávajte nástroj v prevádzke bez dozoru. Pracujte s ním, len keď ho držíte v rukách.
8. Nedotýkajte sa obrobku hneď po úkone; môže byť extrémne horúci a môže vám popáliť pokožku.
9. Nedotýkajte sa príslušenstva hneď po úkone; môže byť extrémne horúci a môže vám popáliť pokožku.
10. Dodržiavajte pokyny výrobcu na správnu montáž a používanie kotúčov. Kotúče používajte a skladujte starostlivo.
11. Nepoužívajte samostatné redukčné puzdrá ani adaptéry na prispôsobenie brúsnym kotúčom s veľkým otvorom.
12. Používajte len príruby určené pre tento nástroj.
13. Pri nástrojoch určených na upevnenie pomocou kotúča so závitovým otvorom skontrolujte, či závit v kotúči je dostatočne dlhý pre dĺžku vretena.
14. Skontrolujte, či je obrobok správne podoprený.
15. Majte na pamäti, že kotúč sa ďalej točí aj po vypnutí nástroja.
16. Pri práci v extrémne horúcom a vlhkom prostredí alebo prostredí silne znečistenom vodivým prachom používajte skratový istič (30 mA) na zaistenie bezpečnosti obsluhy.
17. Nepoužívajte nástroj na materiáloch obsahujúcich azbest.
18. Pri používaní rozbrusovacieho kotúča vždy pracujte s krytým kotúča na zberanie prachu, ak to vyžadujú miestne predpisy.
19. Rozbrusovacie disky sa nesmú vystavovať priečnemu tlaku.
20. Počas obsluhy nepoužívajte látkové pracovné rukavice. Vlákna z látkových rukavíc sa môžu dostať do náradia s následkom poškodenia náradia.
21. Pred začatím práce sa uistite, že sa v obrobku nenachádza žiadny zakopaný objekt ako elektrické káble, vodovodné alebo plynové potrubie. V opačnom prípade môže dôjsť k zásahu elektrickým prúdom, prerušeniu vedenia elektrickej energie alebo úniku plynu.
22. Ak je ku kotúču pripevnený štítok, nevyberajte ho. Priemer štítka musí byť väčší ako uzamykacia matica, vonkajšia príruha a vnútorná príruha.
23. Pred inštaláciou brúsneho kotúča vždy skontrolujte, či sa na štítku nevyskytujú chyby ako úlomky alebo praskliny.
24. Správne dotiahnite uzamykaciu maticu. Nadmerné dotiahnutie kotúča môže spôsobiť zlomenie, zatiaľ čo nedostatočné dotiahnutie môže spôsobiť chvenie.

## TIETO POKYNY USCHOVAJTE.

**VAROVANIE:** NIKDY nepripustíte, aby seba-vedomie a dobrá znalosť výrobku (získané opakovaným používaním) nahradili presné dodržiavanie bezpečnostných pravidiel pri používaní náradia. **NESPRÁVNE POUŽÍVANIE** alebo nedodržiavanie bezpečnostných zásad uvedených v tomto návode môže viesť k vážnemu zraneniu.

## OPIS FUNKCIÍ

**POZOR:** Pred nastavením nástroja alebo kontrolou jeho funkcie sa vždy presvedčte, že je vypnutý a vytiahnutý zo zásuvky.

### Poistka hriadeľa

**VAROVANIE:** Nikdy neaplikujte poistku hriadeľa, keď sa vreteno pohybuje. Môže dôjsť k vážnemu zraneniu alebo k poškodeniu nástroja.

Otáčaniu vretena pri montáži alebo demontáži príslušenstva zabránite stlačením poistky hriadeľa.

► Obr.1: 1. Poistka hriadeľa

### Zapínanie

**POZOR:** Pred pripojením nástroja do zásuvky vždy skontrolujte, či spúšťací spínač funguje správne a po uvoľnení sa vracia do vypnutej polohy.

**POZOR:** V prípade výpadku napájania ale náhodného vypnutia, napríklad pri odpojení napájacieho kábla, vypnite nástroj. V opačnom prípade sa po obnovení napájania nástroj nečakane spustí a spôsobí nehodu alebo zranenie.

V závislosti od krajiny sú k dispozícii tri spôsoby prepínania.

► Obr.2: 1. Spúšťací spínač 2. Blokovacia páčka

## Pre prístroje s poistným prepínačom zaistenia

### Špecifické pre konkrétnu krajinu

**POZOR:** Operátor môže počas dlhšieho používania zablokovat' spúšť v zapnutej polohe („ON“), čo mu uľahčí prácu. Pri blokovani náradia v zapnutej polohe („ON“) dávajte pozor a zachovajte pevné držanie náradia.

Ak chcete nástroj spustiť, stačí stlačiť jeho spúšťací spínač (smer B). Nástroj zastavíte uvoľnením spúšťacieho spínača.

Plynulú prevádzku dosiahnete potiahnutím spúšťacieho spínača (smer B) a následným stlačením zaistovacej páčky (smer A). Prístroj sa zo zaistenej polohy zastavuje úplným zatlačením spúšťacieho spínača (smer B) a jeho následným uvoľnením.

## Nástroj s poistným prepínačom odistenia

### Špecifické pre konkrétnu krajinu (vrátane Austrálie a Nového Zélandu)

Aby ste predišli náhodnému zatlačeniu spúšťacieho spínača, máte k dispozícii zaistovaciu páčku. Na naštartovanie prístroja stlačte zaistovaciu páčku (smer A) a potom stlačte spúšťací spínač (smer B). Nástroj zastavíte uvoľnením spúšťacieho spínača.

**UPOZORNENIE:** Spúšťací spínač neťahajte nasilu a bez súčasného stlačenia poistnej páčky. V opačnom prípade sa môže spínač zlomiť.

## Nástroj s poistným prepínačom zaistenia a odistenia

Špecifické pre konkrétnu krajinu

**▲POZOR:** Operátor môže počas dlhšieho používania zablokovat' spúšť v zapnutej polohe („ON“), čo mu uľahčí prácu. Pri blokovaní náradia v zapnutej polohe („ON“) dávajte pozor a zachovajte pevné držanie náradia.

Aby ste predišli náhodnému zatlačeniu spúšťacieho spínača, máte k dispozícii zaistovaciu páčku. Na naštartovanie prístroja stlačte zaistovaciu páčku (smer A) a potom stlačte spúšťací spínač (smer B). Nástroj zastavíte uvoľnením spúšťacieho spínača. Na nepretržitú prevádzku stlačte zaistovaciu páčku (smer A), stlačte spúšťací spínač (smer B) a potom zatlačte zaistovaciu páčku (smer A) ďalej. Prístroj sa zo zaistenej polohy zastavuje úplným zatlačením spúšťacieho spínača (smer B) a jeho následným uvoľnením.

**UPOZORNENIE:** Spúšťací spínač neťahajte nasilu a bez súčasného stlačenia poistnej páčky. V opačnom prípade sa môže spínač zlomiť.

### Funkcia hladkého štartu

Len pre model GA7020S / GA9020S

Funkcia hladkého štartu redukuje reakciu pri štartovaní.

## ZOSTAVENIE

**▲POZOR:** Skôr než začnete na nástroji robiť akékoľvek práce, vždy sa predtým presvedčte, že je vypnutý a vytiahnutý zo zásuvky.

### Inštalácia bočnej rukoväti (držadla)

**▲POZOR:** Pred použitím sa vždy uistite, že bočná rukoväť je pevne nainštalovaná.

**▲POZOR:** Bočnú rukoväť je možné nainštalovať do 3 otvorov. Bočnú rukoväť nainštalujte do jedného z otvorov v závislosti od prevádzky.

Bočnú rukoväť bezpečne priskrutkujte na nástroj, ako je to znázornené na obrázku.

► Obr.3

**Inštalácia alebo demontáž ochranného krytu kotúča (pre ploský kotúč, lamelový disk, flexibilný kotúč, drôtený kotúčový kefu/abrazívny rozbrusovací kotúč, diamantový kotúč)**

**▲VAROVANIE:** Pri použití ploského kotúča, lamelového disku, flexibilného kotúča alebo drôtenej kotúčovej kefy je potrebné na náradie namontovať ochranný kryt kotúča tak, aby uzatvorená strana krytu vždy smerovala k obsluhu.

**▲VAROVANIE:** Pri použití abrazívneho rozbrusovacieho kotúča/diamantového kotúča vždy používajte len špeciálny ochranný kryt kotúča určený na použitie s rozbrusovacími kotúčmi.

### Pre nástroj s krytom kotúča s poistnou skrutkou

Namontujte ochranný kryt kotúča tak, aby boli výčnelky na remeni ochranného krytu kotúča zarovnané s drážkami na ložiskovej vložke. Potom otočte ochranný kryt kotúča do takého uhla, aby podľa druhu vykonávanej práce chránil obsluhu. Skrutku bezpečne utiahnite. Kryt kotúča vyberajte opačným postupom ako pri vkladaní.

► Obr.4: 1. Kryt kotúča 2. Ložisková vložka 3. Skrutka

### Pre nástroj s krytom kotúča s upínacou pákou

Uvoľnite maticu a potom potiahnite páku v smere šípky.

► Obr.5: 1. Matica 2. Páčka

Namontujte kryt kotúča tak, aby boli výčnelky na remeni krytu kotúča zarovnané s drážkami na ložiskovej vložke. Potom otočte kryt kotúča do takého uhla, aby podľa druhu vykonávanej práce chránil obsluhu.

► Obr.6: 1. Kryt kotúča 2. Ložisková vložka

► Obr.7: 1. Kryt kotúča

Pomocou kľúča pevne dotiahnite maticu a potom zatvorte páčku v smere šípky na zaistenie krytu kotúča. Ak je páčka príliš alebo málo dotiahnutá na upevnenie krytu kotúča, otvorte páčku a povoľte alebo dotiahnite maticu pomocou kľúča na nastavenie upnutia obruče krytu kotúča.

► Obr.8: 1. Matica 2. Páčka

Kryt kotúča vyberajte opačným postupom ako pri vkladaní.

## Montáž alebo demontáž ploského brúsneho kotúča alebo lamelového disku

### Voliteľné príslušenstvo

**VAROVANIE:** Pri použití ploského brúsneho kotúča alebo lamelového disku je potrebné na náradie namontovať ochranný kryt kotúča tak, aby uzatvorená strana krytu vždy smerovala k obsluhu.

**VAROVANIE:** Dbajte na to, aby časť na uchytenie vnútornej príruby dokonale zapadla do vnútorného priemeru ploského brúsneho kotúča alebo lamelového disku. Namontovanie vnútornej príruby na nesprávnu stranu môže mať za následok nebezpečné vibrácie.

Na vreteno namontujte vnútornú prírubu. Namontujte ju tak, aby časť vnútornej príruby so zárezom zapadla do rovnej časti na spodku vretena. Kotúč/disk upevnite na vnútornú prírubu a priskrutkujte uzamykaciu maticu výčnelkom smerom nahor.

- **Obr.9:** 1. Uzamykacia matica 2. Ploský kotúč 3. Vnútorná príruha 4. Časť na uchytenie

Uzamykaciu maticu dotiahnete pevným stlačením poistky hriadeľa tak, aby sa vreteno neotáčalo, potom ju kľúčom na uzamykaciu maticu bezpečne dotiahnite v smere hodinových ručičiek.

- **Obr.10:** 1. Kľúč na uzamykaciu maticu 2. Poistka hriadeľa

Kotúč vyberajte opačným postupom ako pri vkladaní.

## Inštalácia alebo demontáž flexibilného kotúča

### Voliteľné príslušenstvo

**VAROVANIE:** Ak je flexibilný kotúč namontovaný na náradí, vždy používajte dodaný ochranný kryt. Kotúč sa môže počas používania roztrieštiť a kryt prispeje k zníženiu možnosti zranenia osôb.

- **Obr.11:** 1. Uzamykacia matica 2. Flexibilný kotúč 3. Oporná podložka 4. Vnútorná príruha

Dodržiavajte pokyny na používanie ploských kotúčov, ale používajte aj opornú podložku nainštalovanú na kotúč.

## Montáž a demontáž brúsneho disku

### Voliteľné príslušenstvo

- **Obr.12:** 1. Uzamykacia matica na pieskovanie 2. Brúsny disk 3. Gumová podložka

1. Na vreteno namontujte gumovú podložku.
2. Disk pripevnite na gumovú podložku a na vreteno priskrutkujte uzamykaciu maticu na brúsenie.
3. Podržte vreteno poistkou hriadeľa a pevne utiahnite uzamykaciu maticu na pieskovanie v smere hodinových ručičiek pomocou kľúča na uzamykaciu maticu.

Disk vyberajte opačným postupom ako pri vkladaní.

**POZNÁMKA:** Použite príslušenstvo brúsky opísané v tejto príručke. Príslušenstvo je potrebné zakúpiť zvlášť.

## Super príruha

### Voliteľné príslušenstvo

Super príruha je špeciálne príslušenstvo pre model, ktorý NIE JE vybavený funkciou brzdy.

Modely označené písmenom F sú štandardne vybavené super prírubou. V porovnaní s bežnými typmi je na uvoľnenie uzamykacej matice potrebná iba 1/3 vynaloženej sily.

## Montáž alebo demontáž Ezynut

### Voliteľné príslušenstvo

Len pre náradie s vretenom so závitom M14.

**POZOR:** Ezynut nepoužívajte so super prírubou. Tieto príruby sú také hrubé, že vreteno nedokáže udržať celý závit.

Upevnite vnútornú prírubu, brúsny kotúč a Ezynut na vreteno tak, aby logo Makita na Ezynut smerovalo von.

- **Obr.13:** 1. Ezynut 2. Brúsny kotúč 3. Vnútorná príruha 4. Vreteno

Pevne stlačte poistku hriadeľa a utiahnite Ezynut otáčaním brúsneho kotúča v smere hodinových ručičiek, pokiaľ sa bude otáčať.

- **Obr.14:** 1. Poistka hriadeľa

Ak chcete uvoľniť Ezynut, otáčajte vonkajší prstenek Ezynut proti smeru hodinových ručičiek.

**POZNÁMKA:** Ezynut možno uvoľniť rukou, ak šípka ukazuje na zárez. V opačnom prípade je na jeho uvoľnenie potrebný kľúč na uzamykaciu maticu. Vložte jeden kolík kľúča do otvoru a otáčajte Ezynut proti smeru hodinových ručičiek.

- **Obr.15:** 1. Šípka 2. Zárez

- **Obr.16**

## Inštalácia abrazívneho rozbrusovacieho kotúča/diamantového kotúča

### Voliteľné príslušenstvo

**VAROVANIE:** Pri použití abrazívneho rozbrusovacieho kotúča/diamantového kotúča vždy používajte len špeciálny ochranný kryt kotúča určený na použitie s rozbrusovacími kotúčmi.

**VAROVANIE:** Nikdy NEPOUŽÍVAJTE rozbrusovací kotúč na priechne brúsenie.

Na vreteno namontujte vnútornú prírubu.

Kotúč upevnite na vnútornú prírubu a na vreteno naskrutkujte uzamykaciu maticu.

- **Obr.17:** 1. Uzamykacia matica 2. Abrazívny rozbrusovací kotúč/diamantový kotúč 3. Vnútorná príruha 4. Ochranný kryt abrazívneho rozbrusovacieho kotúča/diamantového kotúča

### Pre Austráliu a Nový Zéland

- **Obr.18:** 1. Uzamykacia matica 2. Vonkajšia príruha 78 3. Abrazívny rozbrusovací kotúč/diamantový kotúč 4. Vnútorná príruha 78 5. Ochranný kryt abrazívneho rozbrusovacieho kotúča/diamantového kotúča

## Inštalácia drôtenej kalichovej kefy

### Voliteľné príslušenstvo

**⚠️ POZOR:** Kefu nepoužívajte, ak je poškodená alebo ak nie je vyvážená. Používanie poškodenej kefy môže zvýšiť možnosť poranenia v dôsledku kontaktu so zlomenými drôtnymi kefami.

Nástroj položte naopak, aby ste sa ľahko dostali k vretieniu.

Odmontujte všetko príslušenstvo z vretienia. Na hriadeľ naskrutkujte drôtenú kalichovú kefu a utiahnite dodaným kľúčom.

► **Obr.19:** 1. Drôtená kalichová kefa

## Inštalácia drôtenej kotúčovej kefy

### Voliteľné príslušenstvo

**⚠️ POZOR:** Drôtenú kotúčovú kefu nepoužívajte ak je poškodená alebo ak nie je vyvážená. Používanie poškodenej drôtenej kotúčovej kefy môže zvýšiť možnosť poranenia v dôsledku kontaktu so zlomenými drôtnymi kefami.

**⚠️ POZOR:** V spojení s drôtenými kotúčovými kefami **VŽDY** používajte ochranný kryt a zaistíte pri tom, aby kotúč zapadol do ochranného krytu. Kotúč sa môže počas používania roztrieštiť a kryt prispieje k zníženiu možnosti zranenia osôb.

Nástroj položte naopak, aby ste sa ľahko dostali k vretieniu.

Odmontujte všetko príslušenstvo z vretienia. Drôtenú kotúčovú kefu naskrutkujte na vretienie a utiahnite pomocou kľúčov.

► **Obr.20:** 1. Drôtená kotúčová kefa

## Montáž vyrezávača dier

### Voliteľné príslušenstvo

Nástroj položte naopak, aby ste sa ľahko dostali k vretieniu.

Odmontujte všetko príslušenstvo z vretienia. Vyrezávač dier naskrutkujte na vretienie a utiahnite pomocou dodaného kľúča.

► **Obr.21:** 1. Vyrezávač dier

## Montáž krytu kotúča na zberanie prachu určeného na brúsenie

Len pre model GA7020S / GA9020S

### Voliteľné príslušenstvo

Tento nástroj môžete používať na hľbovanie betónového povrchu, ak pripojíte voliteľné príslušenstvo.

**⚠️ POZOR:** Chranič kotúča na zberanie prachu pre odsadený diamantový kotúč sa má používať len pri hľbovaní betónových povrchov s odsadeným diamantovým kotúčom. Tento kryt nepoužívate so žiadnym iným príslušenstvom na rezanie ani na žiadny iný účel.

**⚠️ POZOR:** Pred začiatkom prevádzky sa uistite, že vysávač je pripojený k nástroju a je zapnutý.

Nástroj položte naopak a namontujte kryt kotúča na zberanie prachu.

Na vretienie namontujte vnútornú prírubu.

Kalichový diamantový kotúč pripievňte na vnútornú prírubu a na vretienie upevnite uzamykacia matica.

► **Obr.22:** 1. Uzamykacia matica 2. Kalichový diamantový kotúč 3. Kalichový diamantový kotúč s nábojom 4. Vnútorná príruha 5. Kryt kotúča na zberanie prachu 6. Ložisková vložka

**POZNÁMKA:** Informácie o inštalácii krytu kotúča na zberanie prachu nájdete v návode pre kryt kotúča na zberanie prachu.

## Montáž krytu kotúča na zberanie prachu určeného na rozbrusovanie

### Voliteľné príslušenstvo

Tento nástroj môžete používať na rezanie kamenných materiálov, ak pripojíte voliteľné príslušenstvo.

► **Obr.23**

**POZNÁMKA:** Informácie o inštalácii krytu kotúča na zberanie prachu nájdete v návode pre kryt kotúča na zberanie prachu.

## Montáž a demontáž krytu proti prachu

### Voliteľné príslušenstvo

**⚠️ POZOR:** Pred inštaláciou alebo odstránením krytu proti prachu sa vždy uistite, že je nástroj vypnutý a odpojený od napájania. V opačnom prípade dôjde k poškodeniu nástroja alebo ublíženiu na zdraví.

Namontujte kryt proti prachu v jednotlivých uvedených polohách.

Podrobnosti nájdete v návode na obsluhu krytu proti prachu.

**UPOZORNENIE:** Kryt proti prachu vyčistite, ak je zanesený prachom alebo cudzími predmetmi. Pri ďalšej práci so zaneseným krytom proti prachu sa prístroj môže poškodiť.

# PREVÁDZKA

**VAROVANIE:** Na nástroj sa nikdy nemá tlačiť. Váha nástroja vyvíja dostatočný tlak. Tlačenie a nadmerný tlak môžu spôsobiť nebezpečné narušenie kotúča.

**VAROVANIE:** Kotúč vymeňte **VŽDY**, keď nástroj počas brúsenia spadne.

**VAROVANIE:** Kotúčom **NIKDY** nevrážajte ani neudierajte do obrobku.

**VAROVANIE:** Zabráňte odsakovananiu a zdrhávaniu kotúča predovšetkým pri práci na rohoch, ostrých hranách atď. Môže to spôsobiť stratu kontroly a spätný náraz.

**VAROVANIE:** **NIKDY** nepoužívajte nástroj s čepeľami na rezanie dreva a s inými čepeľami pí. Ak sa takéto čepele používajú na brúske, často spôsobujú nárazy a stratu kontroly, ktorá môže mať za následok zranenie osôb.

**POZOR:** Nástroj nikdy nezapínajte, ak je v styku s obrobkom. Mohlo by dôjsť k zraneniu obsluhy.

**POZOR:** Pri práci vždy používajte ochranné okuliare alebo ochranný štít.

**POZOR:** Po prevádzke nástroj vždy vypnite a počkajte, kým sa kotúč úplne zastaví, potom nástroj odložte.

**POZOR:** Nástroj držte **VŽDY** pevne jednou rukou za kryt a druhou za bočnú rukoväť.

**POZNÁMKA:** Dvojúčelový kotúč sa dá použiť na brúsenie aj rozbrusovanie.

Postup pri brúsení nájdete v časti „Brúsenie a pieskovanie“ a postup pri rozbrusovaní nájdete v časti „Práca s abrazívnym rozbrusovacím kotúčom/diamantovým kotúčom“.

## Brúsenie a pieskovanie

► Obr.24

Nástroj zapnite a potom priložte kotúč alebo disk k obrobku.

Vo všeobecnosti platí, že je potrebné držať hranu kotúča alebo disku v 15° uhle k povrchu obrobku. Počas zapracovania nového kotúča brúska nesmie pracovať v smere dopredu, pretože by sa mohla zarezat' do obrobku. Keď sa hrana kotúča používaním zaoblí, s kotúčom sa môže pracovať v smere dopredu aj dozadu.

**Príklad použitia:** prevádzka s kalichovým diamantovým kotúčom

► Obr.25

Udržujte nástroj v horizontálnej polohe a na povrch obrobku priložte celý kalichový diamantový kotúč.

## Práca s abrazívnym rozbrusovacím kotúčom/diamantovým kotúčom

*Voliteľné prislúšenstvo*

**VAROVANIE:** Kotúč nestláčajte ani naň nevývíjate nadmerný tlak. **Nepokúšajte sa rezať príliš hlboko.** Prílišné namáhanie kotúča zvyšuje zaťaženie a náchylnosť k stočeniu alebo zovretiu kotúča v reze a pravdepodobnosť spätného nárazu, zlomenia kotúča alebo prehriatia motora.

**VAROVANIE:** Nezačínajte rezanie v obrobku. **Nechajte kotúč dosiahnuť plnú rýchlosť a opatrne vstúpte do rezu, pričom pohybujte nástrojom dopredu nad povrchom obrobku.** Kotúč sa môže zovrieť, vystúpiť nahor alebo naraziť späť, ak elektrický nástroj spustíte v obrobku.

**VAROVANIE:** Počas rezania nikdy nemeňte uhol kotúča. Pri vyvíjaní bočného tlaku na rozbrusovací kotúč (ako pri brúsení) spôsobí prasknutie a zlomenie kotúča a následné vážne telesné poranenie.

**VAROVANIE:** **Diamantový kotúč sa bude používať v smere kolmo na rezaný materiál.**

**Príklad použitia:** prevádzka s abrazívnym rozbrusovacím kotúčom

► Obr.26

**Príklad použitia:** prevádzka s diamantovým kotúčom

► Obr.27

## Prevádzka s drôtenou kalichovou kefou

*Voliteľné prislúšenstvo*

**POZOR:** Činnosť kefy skontrolujte spustením nástroja bez zaťaženia a zabezpečte pri tom, aby nikto nebol pred alebo v línii s kefou.

**UPOZORNENIE:** Pri používaní drôtenej kalichovej kefy nepôsobte príliš veľkým tlakom, ktorý spôsobuje ohnutie drôtov. Môže to viesť k predčasnému lámaniu.

**Príklad použitia:** prevádzka s drôtenou kalichovou kefou

► Obr.28

## Prevádzka s drôtenou kotúčovou kefou

*Voliteľné prislúšenstvo*

**POZOR:** Činnosť drôtenej kotúčovej kefy skontrolujte spustením náradia bez zaťaženia a zabezpečte pri tom, aby nikto nebol pred alebo v línii s drôtenou kotúčovou kefou.

**UPOZORNENIE:** Nepôsobte príliš veľkým tlakom, ktorý spôsobí ohnutie drôtov pri používaní kotúčovej kefy. Môže to viesť k predčasnému lámaniu.

**Príklad použitia:** prevádzka s drôtenou kotúčovou kefou

► Obr.29

## Práca s vyrezávačom dier

### Voliteľné príslušenstvo

**⚠ POZOR:** Činnosť vyrezávača dier skontrolujte spustením nástroja bez zaťaženia a zabezpečte pri tom, aby sa pred vyrezávačom dier nenachádzala žiadna osoba.

**UPOZORNENIE:** Počas používania nástroj nenakláňajte. Môže to viesť k predčasnému lámaniu.

Príklad použitia: práca s vyrezávačom dier

► Obr.30

## ÚDRŽBA

**⚠ POZOR:** Pred vykonávaním kontroly a údržby nástroj vždy vypnite a odpojte od prívodu elektrickej energie.

**UPOZORNENIE:** Nepoužívajte benzín, riedidlo, alkohol ani podobné látky. Mohlo by to spôsobiť zmenu farby, deformácie alebo praskliny.

Ak chcete udržať BEZPEČNOSŤ a BEZPORUCHOVOSŤ výrobku, prenechajte opravy, údržbu a nastavenie na autorizované alebo továrenské servisné centrá Makita, ktoré používajú len náhradné diely značky Makita.

## Čistenie vzduchových prieduchov

Náradie a jeho vzduchové prieduchy je nutné udržiavať čisté. Vzduchové prieduchy náradia pravidelne čistite. Čistíte ich aj pri každom zanesení.

► **Obr.31:** 1. Výfukový prieduch 2. Nasávací prieduch

## Výmena uhlíkových kefiiek

► **Obr.32:** 1. Komutátor 2. Izolačná špička 3. Uhlíková kefka

Keď sa živcová izolačná špička vnútri uhlíkovej kefy zoderie a dotkne komutátora, motor sa automaticky vypne. V takom prípade sa obe uhlíkové kefy musia vymeniť. Uhlíkové kefy musia byť čisté a musia voľne zapadať do svojich držiakov. Obe uhlíkové kefy sa musia vymieňať naraz. Používajte len identické uhlíkové kefy.

Veká držiaka uhlíkov otvoríte skrutkovačom. Vyberte opotrebované uhlíkové kefy, založte nové a zaistíte veká držiaka uhlíka.

► **Obr.33:** 1. veko držiaka uhlíka 2. Skrutkovač

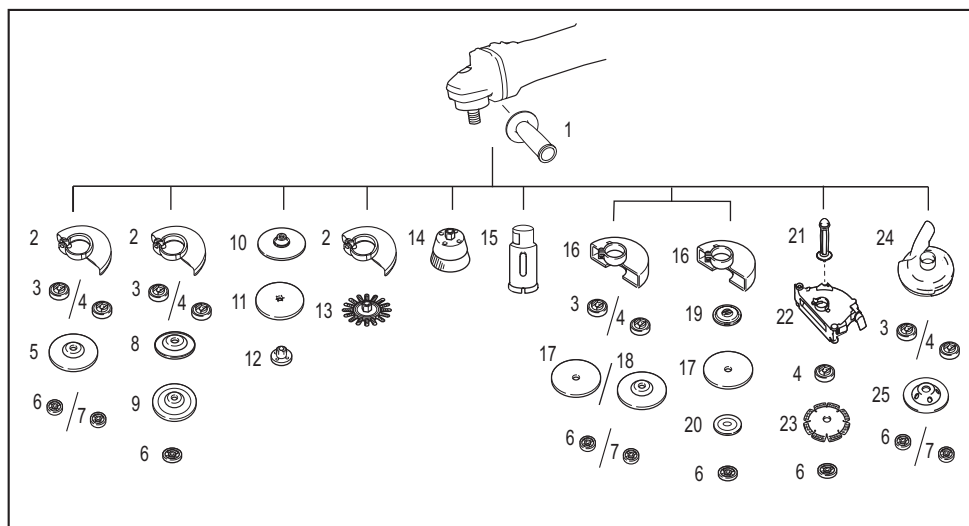


# KOMBINÁCIE APLIKÁCIÍ A PRÍSLUŠENSTVA

## Voliteľné príslušenstvo

**▲POZOR:** Používanie nástroja s nesprávnymi krytmi môže spôsobiť nasledujúce riziká.

- Ak používate kryt rozbrusovacieho kotúča pri brúsení prednej časti, kryt kotúča môže zasahovať do obrobku, čoho následkom bude nedostatočná kontrola nad nástrojom.
- Ak používate kryt brúsneho kotúča na rozbrusovanie pomocou spojených brúsnych kotúčov a diamantových kotúčov, hrozí zvýšené riziko vystavenia vplyvu rotujúcich kotúčov, uvoľňovania iskier a častíc, ako aj vystavenia úlomkom kotúčov v prípade ich prasknutia.
- Ak používate kryt rozbrusovacieho kotúča alebo kryt brúsneho kotúča pri brúsení prednej časti pomocou kalichových diamantových kotúčov, kryt kotúča môže zasahovať do obrobku, čoho následkom bude nedostatočná kontrola.
- Ak používate kryt rozbrusovacieho kotúča alebo kryt brúsneho kotúča s drôtenou kotúčovou kefou s hrúbkou presahujúcou maximálnu hrúbku uvedenú v časti „TECHNICKÉ ŠPECIFIKÁCIE“, drôty sa môžu zachytiť do krytu, čoho následkom bude ich pretrhnutie.
- Použitie krytov kotúčov na zberanie prachu určených na rozbrusovanie a brúsenie v prednej časti na betóne alebo murive znižuje riziko vystavenia vplyvu prachu.
- Keď používate dvojúčelové kotúče s montážou pomocou príruby (spojenie brúsneho a rozbrusovacieho kotúča), používajte iba kryt rozbrusovacieho kotúča.



-	Aplikácia	180 mm model	230 mm model
1	-	Bočná rukoväť	
2	-	Ochranný kryt kotúča (pre brúsny kotúč)	
3	-	Vnútoraná príruha	
4	-	Super príruha *1	
5	Brúsenie/pieskovanie	Ploský kotúč/lamelový disk	
6	-	Uzamykacia matica	
7	-	Ezynut *1*2	
8	-	Oporná podložka	
9	Brúsenie	Flexibilný kotúč	
10	-	Gumová podložka	
11	Pieskovanie	Brúsny disk	
12	-	Uzamykacia matica na pieskovanie	
13	Brúsenie drôteným kotúčom	Drôtená kotúčová kefa	
14	Brúsenie drôteným kotúčom	Drôtená kalichová kefa	

-	Aplikácia	180 mm model	230 mm model
15	Vyrezávanie otvorov	Vyrezávač dier	
16	-	Kryt kotúča (pre rozbrusovací kotúč)	
17	Rozbrusovanie	Abrazívny rozbrusovací kotúč/diamantový kotúč	
18	Brúsenie/rozbrusovanie	Dvojúčelový kotúč	-
19	-	Vnútorná príruha 78 (iba pre Austráliu a Nový Zéland) *3	
20	-	Vonkajšia príruha 78 (iba pre Austráliu a Nový Zéland) *3	
21	-	Bočná rukoväť pre kryt kotúča na zberanie prachu *4	
22	-	Kryt kotúča na zberanie prachu určený na rozbrusovanie *4*5	
23	Rozbrusovanie	Diamantový kotúč	
24	-	Kryt kotúča na zberanie prachu určený na brúsenie *6	
25	Brúsenie	Kalichový diamantový kotúč *6	
-	-	Kľúč na uzamykáciu maticu	
-	-	Kryt proti prachu	

**POZNÁMKA:** \*1 Súčasne spolu nepoužívajte super príruhu a Ezynut.

**POZNÁMKA:** \*2 Len pre náradie s vretenom so závitom M14.

**POZNÁMKA:** \*3 Vnútornú príruhu 78 a vonkajšiu príruhu 78 používajte spolu. (iba pre Austráliu a Nový Zéland)

**POZNÁMKA:** \*4 Bočnú rukoväť pre kryt kotúča na zberanie prachu a kryt kotúča na zberanie prachu určený na rozbrusovanie používajte spolu.

**POZNÁMKA:** \*5 Viac informácií nájdete v jednotlivých návodoch na obsluhu krytu.

**POZNÁMKA:** \*6 Len pre modely GA7020S / GA9020S

Viac informácií nájdete v jednotlivých návodoch na obsluhu krytu.

## VOLITEĽNÉ PRÍSLUŠENSTVO

**⚠ POZOR:** Pre váš nástroj Makita, opísaný v tomto návode, doporučujeme používať toto príslušenstvo a nástavce. Pri použití iného príslušenstva či nástavcov môže hroziť nebezpečenstvo zranenia osôb. Príslušenstvo a nástavce sa môžu používať len na účely pre ne stanovené.

Ak potrebujete bližšie informácie týkajúce sa tohoto príslušenstva, obráťte sa na vaše miestne servisné stredisko firmy Makita.

- Príslušenstvo uvedené v časti „KOMBINÁCIE APLIKÁCIÍ A PRÍSLUŠENSTVA“

**POZNÁMKA:** Niektoré položky zo zoznamu môžu byť súčasťou balenia nástrojov vo forme štandardného príslušenstva. Rozsah týchto položiek môže byť v každej krajine odlišný.

## SPECIFIKACE

Model:		GA7020 / GA7020Y	GA7020S	GA7021	GA9020 / GA9020Y	GA9020S
Příslušný brusný kotouč	Max. průměr kotouče	180 mm			230 mm	
	Max. tloušťka kotouče	7,2 mm			6,5 mm	
Příslušný rozbrušovací kotouč	Max. průměr kotouče	180 mm			230 mm	
	Max. tloušťka kotouče	4,0 mm			3,2 mm	
Příslušný kotoučový drátěný kartáč	Max. průměr kotouče	150 mm			175 mm	
	Max. tloušťka kotouče	20 mm				
Závít vřetena		M14 nebo M16 nebo 5/8" (specifické pro danou zemi)				
Max. délka vřetena		26 mm				
Otáčky naprázdno ( $n_0$ ) / jmenovité otáčky (n)		8 500 min <sup>-1</sup>		6 600 min <sup>-1</sup>		
Celková délka		473 mm				
Hmotnost netto		5,6 – 7,8 kg	5,7 – 7,9 kg	5,6 – 7,8 kg	5,8 – 7,9 kg	5,8 – 8,0 kg
Třída bezpečnosti		□/II				

- Vzhledem k neustálému výzkumu a vývoji podléhají zde uvedené specifikace změnám bez upozornění.
- Specifikace se mohou pro různé země lišit.
- Hmotnost se může lišit v závislosti na příslušenství. Nejlehčí a nejtěžší kombinace, dle EPTA-Procedure 01/2014, jsou uvedeny v tabulce níže.

## Symbols

Níže jsou uvedeny symboly, se kterými se můžete při použití nářadí setkat. Je důležité, abyste dříve, než s ním začnete pracovat, pochopili jejich význam.



Přečtěte si návod k obsluze.



Noste ochranné brýle.



Při práci vždy používejte obě ruce.



Nepoužívejte chránič kotouče pro rozbrušování.



DVOJITÁ IZOLACE



Pouze pro země EU  
Z důvodu přítomnosti nebezpečných součástí v zařízení může použití elektrické a elektronické zařízení negativně ovlivnit životní prostředí a lidské zdraví. Elektrické a elektronické spotřebiče nevyhazujte do domovního odpadu!  
V souladu s evropskou směrnicí o odpadních elektrických a elektronických zařízeních a jejím přizpůsobením ve vnitrostátním právu by se použité elektrická a elektronická zařízení měla vyřadit odděleně a odevzdávat na vyhrazeném sběrném místě komunálního odpadu, které je provozováno v souladu s předpisy na ochranu životního prostředí. Toto je označeno symbolem přeškrtnuté popelnice na kolečkách, který je umístěn na zařízení.

## Účel použití

Nářadí je určeno k broušení, smírkování, kartáčování, vyvrtávání a řezání kovových materiálů a kamene bez použití vody.

## Napájení

Nářadí smí být připojeno pouze k napájení se stejným napětím, jaké je uvedeno na výrobním štítku, a může být provozováno pouze v jednofázovém napájecím okruhu se střídavým napětím. Nářadí je vybaveno dvojitou izolací a může být tedy připojeno i k zásuvkám bez zemního vodiče.

## Pro veřejné nízkonapětové rozvodné systémy s napětím mezi 220 V a 250 V

Při spínání elektrických přístrojů může dojít ke kolísání napětí. Provozování tohoto zařízení za nepříznivého stavu elektrické sítě může mít negativní vliv na provoz ostatních zařízení. Je-li impedance sítě menší nebo rovna 0,27 Ohm, lze předpokládat, že nevzniknou žádné negativní účinky. Síťová zásuvka použitá pro toto zařízení musí být chráněna pojistkou nebo ochranným jističem s pomalou vypínací charakteristikou.

## Hlučnost

Typická vážená hladina hluku (A) určená podle normy EN62841-2-3:

Model	Hladina akustického tlaku ( $L_{pA}$ ): (dB(A))	Hladina akustického výkonu ( $L_{WA}$ ): (dB(A))	Nejistota (K): (dB(A))
GA7020 / GA7020Y	92	100	3
GA7020S	92	100	3
GA7021	92	100	3
GA9020 / GA9020Y	92	100	3
GA9020S	92	100	3

**POZNÁMKA:** Celková(é) hodnota(y) emisí hluku byla(y) změřena(y) v souladu se standardní zkušební metodou a dá se použít k porovnání nářadí mezi sebou.

**POZNÁMKA:** Hodnotu(y) deklarovaných emisí hluku lze také použít k předběžnému posouzení míry expozice vibracím.

**VAROVÁNÍ:** Použijte ochranu sluchu.

**VAROVÁNÍ:** Emise hluku se při používání elektrického nářadí ve skutečnosti mohou od deklarované(hých) hodnot(y) lišit v závislosti na způsobech použití nářadí.

**VAROVÁNÍ:** Nezapomeňte stanovit bezpečnostní opatření na ochranu obsluhy podle odhadu expozice ve skutečných podmínkách použití. (Vezměte přitom v úvahu všechny části provozního cyklu, tj. kromě doby zátěže například doby, kdy je nářadí vypnuté a kdy běží naprázdno.)

**VAROVÁNÍ:** Broušení tenkých plechů nebo jiných snadno vibrujících konstrukcí s velkým povrchem může mít za následek celkové emise hluku mnohem vyšší (až 15 dB), než jsou uvedené hodnoty emisí hluku.

Na tyto obrobky položte těžké pružné tlumicí podložky nebo podobné prvky, abyste zabránili vydávání zvuku.

Vezměte v úvahu zvýšené emise hluku jak při hodnocení rizik expozice hluku, tak při výběru přiměřené ochrany sluchu.

## Vibrace

Celková hodnota vibrací (vektorový součet tří os) určená podle normy EN62841-2-3:

**Pracovní režim: obrusování ploch s normální boční rukojetí**

Model	Emise vibrací ( $a_{hr, AG}$ ): (m/s <sup>2</sup> )	Nejistota (K): (m/s <sup>2</sup> )
GA7020 / GA7020Y	8,5	1,5
GA7020S	8,5	1,5
GA7021	5,0	1,5
GA9020 / GA9020Y	5,5	1,5
GA9020S	5,5	1,5

**Pracovní režim: obrusování ploch s antivibrační boční rukojetí**

Model	Emise vibrací ( $a_{hr, AG}$ ): (m/s <sup>2</sup> )	Nejistota (K): (m/s <sup>2</sup> )
GA7020 / GA7020Y	8,0	1,5
GA7020S	8,0	1,5
GA7021	4,5	1,5
GA9020 / GA9020Y	5,5	1,5
GA9020S	5,5	1,5

**Pracovní režim: broušení kotoučem s normální boční rukojetí**

Model	Emise vibrací ( $a_{hr, OS}$ ): (m/s <sup>2</sup> )	Nejistota (K): (m/s <sup>2</sup> )
GA7020 / GA7020Y	2,5	1,5
GA7020S	2,5	1,5
GA7021	2,5 m/s <sup>2</sup> nebo méně	1,5
GA9020 / GA9020Y	2,5 m/s <sup>2</sup> nebo méně	1,5
GA9020S	2,5 m/s <sup>2</sup> nebo méně	1,5

## Pracovní režim: broušení kotoučem s antivibrační boční rukojetí

Model	Emise vibrací ( $a_{h, ds}$ ) : (m/s <sup>2</sup> )	Nejistota (K): (m/s <sup>2</sup> )
GA7020 / GA7020Y	2,5	1,5
GA7020S	2,5	1,5
GA7021	2,5 m/s <sup>2</sup> nebo méně	1,5
GA9020 / GA9020Y	2,5 m/s <sup>2</sup> nebo méně	1,5
GA9020S	2,5 m/s <sup>2</sup> nebo méně	1,5

**POZNÁMKA:** Celková(é) hodnota(y) deklarovaných vibrací byla(y) změněna(y) v souladu se standardní zkušební metodou a dá se použít k porovnání nářadí mezi sebou.

**POZNÁMKA:** Celkovou(é) hodnotu(y) deklarovaných vibrací lze také použít k předběžnému posouzení míry expozice vibracím.

**VAROVÁNÍ:** Emise vibrací se při používání elektrického nářadí ve skutečnosti mohou od deklarované(ných) hodnot(y) lišit v závislosti na způsobech použití nářadí.

**VAROVÁNÍ:** Nezapomeňte stanovit bezpečnostní opatření na ochranu obsluhy podle odhadu expozice ve skutečných podmínkách použití. (Vezměte přitom v úvahu všechny části provozního cyklu, tj. kromě doby zátěže například doby, kdy je nářadí vypnuté a kdy běží naprázdno.)

**VAROVÁNÍ:** Hodnota deklarovaných emisí vibrací se vztahuje na hlavní účel využití akumulátorového nářadí. Bude-li však nářadí použito k jiným účelům, může být hodnota emisí vibrací jiná.

## Prohlášení ES o shodě

### Pouze pro evropské země

Prohlášení ES o shodě je obsaženo v Příloze A tohoto návodu k obsluze.

## BEZPEČNOSTNÍ VÝSTRAHY

### Obecná bezpečnostní upozornění k elektrickému nářadí

**VAROVÁNÍ** Přečtěte si všechny bezpečnostní výstrahy i pokyny a prohlédněte si ilustrace a specifikace dodané k tomuto elektrickému nářadí. Nedodržení všech níže uvedených pokynů může vést k úrazu elektrickým proudem, požáru a/nebo vážnému zranění.

### Všechna upozornění a pokyny si uschovejte pro budoucí potřebu.

Pojem „elektrické nářadí“ v upozorněních označuje elektrické nářadí, které se zapojuje do elektrické sítě, nebo elektrické nářadí využívající akumulátory.

### Výstrahy k brusce

Obecné bezpečnostní výstrahy pro broušení, smírkování, kartáčování a rozbrušování:

1. Toto elektrické nářadí je určeno k broušení, smírkování, kartáčování, vyvrtávání a rozbrušování. Přečtěte si všechny bezpečnostní výstrahy i pokyny a prohlédněte si ilustrace a specifikace dodané k tomuto elektrickému nářadí. Nedodržení všech níže uvedených pokynů může vést k úrazu elektrickým proudem, požáru a/nebo vážnému zranění.

2. Toto elektrické nářadí není určeno k operacím, jako je leštění. Budete-li pomocí tohoto elektrického nářadí provádět práce, pro které není určeno, hrozí riziko zranění.
3. Neupravujte toto elektrické nářadí způsobem, který není výslovně navržen a specifikován výrobcem nářadí. Taková úprava může vést ke ztrátě kontroly a způsobit vážné zranění osob.
4. Nepoužívejte příslušenství, které není speciálně navrženo a specifikováno výrobcem nářadí. Pouhá možnost upevnění příslušenství na elektrické nářadí nezaručuje jeho bezpečnou funkci.
5. Jmenovité otáčky příslušenství se musí nejméně rovnat maximálním otáčkám vyznačeným na elektrickém nářadí. Příslušenství pracující při vyšších než jmenovitých otáčkách se mohou roztrhnout a rozlétnout.
6. Vnější průměr a tloušťka příslušenství musí odpovídat jmenovitým hodnotám určeným pro dané elektrické nářadí. Příslušenství nesprávné velikosti nelze řádně chránit či kontrolovat.
7. Rozměry upevnění příslušenství musí odpovídat rozměrům upevňovacího kování elektrického nářadí. Příslušenství neodpovídající upevňovacímu mechanismu elektrického nářadí nebude vyvážené, způsobí nadměrné vibrace a může způsobit ztrátu kontroly.
8. Nepoužívejte poškozené příslušenství. Před každým použitím zkontrolujte příslušenství; např. brusné kotouče, zda nevykazují trhliny nebo znečištění třískami, opěrnou podložku, zda nevykazuje trhliny, natržený nebo nadměrně opotřebený, nebo drátěný kartáč, zda neobsahuje uvolněné či popraskané dráty. Pokud jste elektrické nářadí nebo příslušenství upustili, ověřte, zda nedošlo ke škodám, a případně poškozené příslušenství vyměňte. Po kontrole a instalaci příslušenství se postavte mimo rovinu rotujícího příslušenství (totéž platí pro přihlížející osoby) a nechte elektrické nářadí minutu běžet při maximálních otáčkách bez zatížení. Poškozená příslušenství se během této zkoušky obvykle rozpadnou.

9. **Používejte osobní ochranné prostředky.** Podle typu prováděné práce používejte obličejový štít nebo ochranné brýle. Podle potřeby používejte protiprachovou masku, ochranu sluchu, rukavice a pracovní zástěru, která je schopna zastavit malé kousky brusiva nebo částí zpracovávaného obrobku. Ochrana zraku musí odolávat odletujícím materiálům vznikajícím při různých použitích. Protiprachová maska nebo respirátor musí filtrovat částice vznikající při konkrétním použití. Dlouhodobé vystavení hluku vysoké intenzity může způsobit ztrátu sluchu.
10. **Zajistěte, aby přihlízející osoby dodržovaly bezpečnou vzdálenost od místa provádění práce. Všechny osoby vstupující na pracoviště musí používat osobní ochranné prostředky.** Úlomky obrobku nebo roztrženého příslušenství mohou odletovat a způsobit zranění i ve větší vzdálenosti od pracoviště.
11. **Při práci v místech, kde může dojít ke kontaktu řezacího příslušenství se skrytým elektrickým vedením nebo s vlastním napájecím kabelem, držte elektrické nářadí pouze za izolovanou částí držadel.** Řezací příslušenství může při kontaktu s vodičem pod napětím přenést proud do nechráněných částí elektrického nářadí a obsluha může utrpět úraz elektrickým proudem.
12. **Napájecí kabel vedte mimo otáčející se příslušenství.** Při ztrátě kontroly nad nářadím může dojít k přezazení nebo zachycení kabelu a vtažení ruky či paže do otáčejícího se příslušenství.
13. **Elektrické nářadí nikdy nepokládejte, dokud se příslušenství úplně nezastaví.** Otáčející se příslušenství se může zachytit o povrch a způsobit ztrátu kontroly nad elektrickým nářadím.
14. **Elektrické nářadí nikdy neuvádějte do chodu, pokud jej přenašíte v ruce po boku.** Při náhodném kontaktu by se vám mohlo otáčející se příslušenství zachytit o oděv a přitáhnout se vám k tělu.
15. **Pravidelně čistěte větrací otvory elektrického nářadí.** Ventilátor motoru nasává dovnitř skříňně prach a dojde-li k nadměrnému nahromadění kovového prachu, mohou vzniknout nebezpečí úraza elektrickým proudem.
16. **Nepracujte s elektrickým nářadím v blízkosti hořlavých materiálů.** Odletující jiskry by mohly tyto materiály zapálit.
17. **Nepoužívejte příslušenství vyžadující použití chladících kapalin.** Použití vody nebo jiné chladicí kapaliny může vést k úmrtí nebo úraza elektrickým proudem.

#### **Zpětný ráz a související výstrahy:**

Zpětný ráz je náhlá reakce na skřípnutí či zaseknutí otáčejícího se kotouče, opěrné podložky, kartáče nebo jiného příslušenství. Skřípnutí nebo zaseknutí způsobuje náhlé zastavení otáčejícího se příslušenství, což vede k nekontrolovanému vrhnutí elektrického nářadí ve směru opačném ke směru otáčení příslušenství v místě zachycení. Pokud například dojde k zaseknutí nebo skřípnutí brusného kotouče v obrobku, hrana kotouče vstupující do místa skřípnutí se může zakousnout do povrchu materiálu a to způsobí zvednutí kotouče nebo jeho vyhození. Kotouč může vyskočit směrem k obsluze nebo od ní podle toho, v jakém směru se pohybuje v místě skřípnutí. Za těchto podmínek může také dojít k roztržení brusných kotoučů. Zpětný ráz je důsledkem špatného použití elektrického nářadí a/nebo nesprávných pracovních postupů či podmínek; lze se mu vyhnout přijetím odpovídajících opatření, která jsou uvedena níže.

1. **Elektrické nářadí držte pevně oběma rukama a zaujměte takový postoj těla a pozici rukou, abyste odolali silám zpětných rázů. Vždy používejte pomocné držadlo, pokud je k dispozici, abyste získali maximální kontrolu nad zpětným rázem či reakcí na točivý moment během uvádění do chodu.** Za předpokladu přijetí správných preventivních opatření může obsluha síly zpětných rázů a reakcí na točivý moment zvládnout.
2. **Nikdy nesahejte do blízkosti rotujícího příslušenství.** Příslušenství může být odvráceno směrem k ruce.
3. **Nestůjte na místě, na které se elektrické nářadí přeseune v případě zpětného rázu.** Zpětný ráz uvede zaseknuté nářadí do pohybu v opačném směru pohybu kotouče.
4. **Zvláště opatrní buďte při opracování rohů, ostrých hran atd. Vyvarujte se narážení a sevření příslušenství.** Rohy a ostré hrany mají tendenci zachycovat otáčející se příslušenství, což vede ke ztrátě kontroly nebo zpětnému rázu.
5. **Nepřipoujte článkový, pilový či segmentový diamantový kotouč s většími než 10 mm obvodovými mezerami ani ozubený pilový kotouč.** Tyto kotouče často způsobují zpětné rázy a ztrátu kontroly.

#### **Zvláštní bezpečnostní varování pro broušení a rozbrušování:**

1. **Používejte pouze typy kotoučů předepsané pro dané elektrické nářadí a specifický chránič určený pro vybraný kotouč.** Kotouče, pro které není elektrické nářadí určeno, nelze odpovídajícím způsobem zabezpečit a představují proto riziko.
2. **Brusná plocha kotoučů s vypouklým středem musí být umístěna pod rovinou obruby chrániče.** Nesprávně namontovaný kotouč vyčnívající nad rovinu obruby chrániče nemůže být dostatečně chráněn.
3. **Chránič musí být k elektrickému nářadí bezpečně připevněn a vhodně ustaven k zajištění maximální bezpečnosti tak, aby byla směrem k obsluze vystavena co nejmenší část kotouče.** Chránič napomáhá chránit obsluhu před odletujícími úlomky rozbitého kotouče a nechtěným kontaktem s kotoučem či jiskrami, jež mohou zapálit oděv.
4. **Kotouče musí být použity pouze k předepsaným účelům. Příklad: Neprovádějte broušení bokem rozbrušovacího kotouče.** Rozbrušovací kotouče jsou určeny k obvodovému broušení. Působení bočních sil na tyto kotouče může způsobit jejich roztržení.
5. **Vždy používejte nepoškozené příruby, které mají správnou velikost a tvar odpovídající vybranému kotouči.** Správné příruby zajistí podepření kotouče a omezí možnost jeho roztržení. Příruby pro rozbrušovací kotouče se mohou lišit od přírub určených pro brusné kotouče.
6. **Nepoužívejte opotřeбенé kotouče z většího elektrického nářadí.** Kotouč určený pro větší elektrické nářadí není vhodný pro vyšší otáčky menšího nářadí a může se roztrhnout.
7. **Při použití dvouúčelových kotoučů vždy používejte správný chránič pro danou aplikaci.** Použití nesprávného chrániče nemusí zajišťovat požadovanou úroveň ochrany, což může vést k vážnému zranění.

## Doplňkové zvláštní bezpečnostní varování pro rozbrušování:

1. **Zamezte „zaseknutí“ rozbrušovacího kotouče a nevyvíjejte na něj příliš velký tlak. Nepokoušejte se o provádění příliš hlubokých řezů.** Vyvinete-li na kotouč příliš velký tlak, zvýšíte jeho zatížení a náchylnost ke kroucení či ohýbání v řezu, a tudíž i možnost zpětného rázu nebo roztržení kotouče.
2. **Nezaujímajte nevhodnou polohu v rovině a za rotujícím kotoučem.** Pokud se kotouč v místě operace pohybuje směrem od vašeho těla, může potenciální zpětný ráz vystřelit otáčející se kotouč spolu s elektrickým nářadím přímo na vás.
3. **Pokud kotouč vážne nebo jestliže z jakéhokoli důvodu přerušíte řezání, vypněte elektrické nářadí a držte jej nehybně, dokud se kotouč úplně nezastaví. Nikdy se nepokoušejte vytažovat rozbrušovací kotouč z řezu, je-li kotouč v pohybu, protože by mohlo dojít ke zpětnému rázu.** Zjistíte příčinu zadrhnutí kotouče a proveďte nápravná opatření.
4. **Neobnovujte řezání přímo v obrobku. Nechte kotouč dosáhnout plné rychlosti a potom jej opatrně zavedte zpět do řezu.** Spustíte-li kotouč elektrického nářadí v obrobku, může dojít k jeho uváznutí, vyskočení nebo ke zpětnému rázu.
5. **Desky a jakékoli nadměrné obrobky podepřete, abyste minimalizovali nebezpečí skřípnutí kotouče a zpětného rázu.** Rozměrné obrobky mívají tendenci prohýbat se vlastní vahou. Podpěry je nutno umístit pod obrobek v blízkosti linie řezu a u okrajů obrobku, a to po obou stranách kotouče.
6. **Při provádění „kapsovitých řezů“ do stávajících stěn či jiných uzavřených míst zachovávejte zvýšenou opatrnost.** Vyčnívající kotouč může říznout do plynového, vodovodního či elektrického vedení nebo do jiných předmětů a může dojít ke zpětnému rázu.
7. **Nepokoušejte se provádět zakřivené řezání.** Vyvinete-li na kotouč příliš velký tlak, zvýšíte jeho zatížení a náchylnost ke kroucení či ohýbání v řezu, a tudíž i možnost zpětného rázu nebo roztržení kotouče, což může vést k vážnému zranění.
8. **Před použitím segmentového diamantového kotouče se ujistěte, zda má diamantový kotouč mezi segmenty 10 mm či menší obvodové mezery a pouze se záporným úhlem čela.**

### Zvláštní bezpečnostní výstrahy pro smirkování:

1. **Používejte kotoučový smirkový papír správné velikosti. Při výběru smirkového papíru dodržujte údaje výrobce.** Smirkový papír příliš přečnávající přes přítačnou botku může způsobit poranění a rovněž zablokování, roztržení disku a zpětný ráz.

### Zvláštní bezpečnostní výstrahy pro kartáčování:

1. **Nezapomeňte, že drátěný kartáč i během běžného používání ztrácí kousky drátu. Nepřetěžujte dráty příliš vysokým tlakem na kartáč.** Odlétající kousky drátu mohou velmi lehce proniknout skrz tenký oděv a/nebo pokožku.
2. **Je-li při kartáčování předepsán chránič, zabraňte vzájemnému kontaktu chrániče a drátěného kotouče či kartáče.** Drátěný kotouč nebo kartáč může díky přítlaku a odstředivým silám zvětšit svůj průměr.

## Další bezpečnostní výstrahy:

1. **Při používání brusných kotoučů s vypouklým středem používejte pouze kotouče vyztužené sklolaminátem.**
2. **V této brusce NIKDY NEPOUŽÍVEJTE brousící kotouče miskovitého typu.** Tato bruska není pro zmiňovaný typ kotoučů zkonstruována a používání podobných produktů může vést k vážným zraněním.
3. **Dávejte pozor, aby nedošlo k poškození vřetene, příruby (zejména montážního povrchu) a pojistné matice. Poškození těchto dílů může vést k roztržení kotouče.**
4. **Před zapnutím spínače se přesvědčte, zda se tělísko nedotýká obrobku.**
5. **Před použitím nářadí na zpracovávaném obrobku jej nechejte na chvíli běžet. Sledujte, zda nevznikají vibrace nebo viklání, které by mohly signalizovat špatně nainstalované nebo nedostatečně vyvážené tělísko.**
6. **Při broušení používejte stanovený povrch tělíska.**
7. **Nenechávejte nářadí běžet bez dozoru. S nářadím pracujte, jen když je držíte v rukou.**
8. **Bezprostředně po ukončení práce se nářadí nedotýkejte; může dosahovat velmi vysokých teplot a popálit vám pokožku.**
9. **Bezprostředně po ukončení práce se příslušenství nedotýkejte; může dosahovat velmi vysokých teplot a popálit vám pokožku.**
10. **Dodržujte pokyny výrobce týkající se správné montáže a použití tělísek. Při manipulaci a skladování tělísek je nutno zachovávat opatrnost.**
11. **Nepoužívejte samostatná redukční pouzdra ani adaptéry k přizpůsobení brusných kotoučů s velkým otvorem.**
12. **Používejte pouze příruby určené pro toto nářadí.**
13. **U nářadí, které je určeno k montáži kotoučů se závitovým otvorem, dbejte, aby byl závit kotouče dostatečně dlouhý vzhledem k délce vřetene.**
14. **Zkontrolujte, zda je obrobek řádně podepřen.**
15. **Nezapomeňte, že kotouč pokračuje v otáčení i po vypnutí nářadí.**
16. **Pokud jsou na pracovišti velmi vysoké teploty či vlhkost nebo je pracoviště znečištěno vodivým prachem, použijte k zajištění bezpečnosti obsluhu zkratový jistič (30 mA).**
17. **Nepoužívejte nářadí k opracovávání materiálů obsahujících azbest.**
18. **Používejte-li rozbrušovací kotouč, vždy pracujte s chráničem kotouče se sběrem prachu, který je požadován směrnicemi.**
19. **Rozbrušovací disky nesmí být vystaveny žádnému příčnému tlaku.**
20. **Při práci nepoužívejte látkové pracovní rukavice.** Vlákna z rukavic mohou vniknout do nářadí, což může způsobit poruchu nářadí.
21. **Před použitím se ujistěte, že ve zpracovávaném dílu nejsou žádné skryté předměty jako elektrické vedení nebo potrubí na vodu či plyn.** V opačném případě hrozí poranění elektrickým proudem, elektrický svod či únik plynu.
22. **Pokud je ke kotouči připevněn savý papír, nesundávejte jej. Průměr savého papíru musí být větší než pojistná matice, vnější příruba a vnitřní příruba.**

23. Před instalací brusného kotouče vždy zkontrolujte, že savá část nemá žádné abnormality, jako jsou úlomky nebo praskliny.
24. Řádné pojistnou matici utáhněte. Přílišné utažení kotouče může způsobit zlomení a nedostatečné utažení může způsobit chvění.

## TYTO POKYNY USCHOVEJTE.

**VAROVÁNÍ:** NEDOVOLTE, aby pohodlnost nebo pocit znalosti výrobku (získaný na základě předchozího použití) vedl k zanedbání dodržování bezpečnostních pravidel platných pro tento výrobek. **NESPRÁVNÉ POUŽÍVÁNÍ** či nedodržení bezpečnostních pravidel uvedených v tomto návodu k obsluze může způsobit vážné zranění.

## POPIS FUNKCÍ

**UPOZORNĚNÍ:** Před nastavováním nářadí nebo kontrolou jeho funkce se vždy přesvědčte, že je vypnuté a vytažené ze zásuvky.

### Zámek hřídele

**VAROVÁNÍ:** Nikdy neaktivujte zámek hřídele, když se pohybuje vřetenem. Mohlo by dojít k vážnému zranění nebo poškození nářadí.

Při instalaci a demontáži příslušenství lze zámek hřídele použít k zamezení otáčení vřeten.

► Obr.1: 1. Zámek hřídele

### Zapínání

**UPOZORNĚNÍ:** Před připojením nářadí do zásuvky vždy zkontrolujte, zda spoušť funguje správně a po uvolnění se vrací do vypnuté polohy.

**UPOZORNĚNÍ:** Dojde-li k výpadku proudu či náhodnému odpojení nářadí, například při vytažení napájecího kabelu ze sítě, ujistěte se, že jste nářadí vypnuli. Jinak se nářadí po obnově proudu neočekávaně spustí a způsobí nehodu nebo zranění.

Existují tři vzory akcí tlačítka v závislosti na zemi.

► Obr.2: 1. Spoušť 2. Blokovací páčka

## Pro nářadí se zajišťovacím spínačem

*Specifické podle země*

**UPOZORNĚNÍ:** K zajištění pohodlí obsluhy při delším používání lze přepínač zajistit v zapnuté poloze. Při zajišťování nářadí v zapnuté poloze buďte opatrní a nářadí pevně držte.

Chcete-li nářadí uvést do chodu, stačí stisknout spoušť (ve směru B). Chcete-li nářadí vypnout, uvolněte spoušť. Chcete-li pracovat nepřetržitě, stiskněte spoušť (ve směru B) a poté zamáčkněte blokovací páčku (ve směru A). Jestliže chcete nářadí v blokované poloze vypnout, stiskněte naplno spoušť (ve směru B) a potom ji uvolněte.

## Pro nářadí s odjišťovacím spínačem

*Specifické podle země (včetně Austrálie a Nového Zélandu)*

Jako prevence náhodného stisknutí spouště je k dispozici blokovací páčka.

Nářadí zapnete zamáčknutím blokovací páčky (ve směru A) a stisknutím spouště (ve směru B). Chcete-li nářadí vypnout, uvolněte spoušť.

**POZOR:** Nepokoušejte se stisknout spoušť příliš velkou silou, aniž byste tiskli blokovací páčku. Mohlo by dojít k poškození spínače.

## Pro nářadí se zajišťovacím a odjišťovacím spínačem

*Specifické podle země*

**UPOZORNĚNÍ:** K zajištění pohodlí obsluhy při delším používání lze přepínač zajistit v zapnuté poloze. Při zajišťování nářadí v zapnuté poloze buďte opatrní a nářadí pevně držte.

Jako prevence náhodného stisknutí spouště je k dispozici blokovací páčka.

Nářadí zapnete zamáčknutím blokovací páčky (ve směru A) a stisknutím spouště (ve směru B). Chcete-li nářadí vypnout, uvolněte spoušť.

Chcete-li pracovat nepřetržitě, zamáčkněte blokovací páčku (ve směru A), zatáhněte za spoušť (ve směru B) a stiskněte blokovací páčku dále (ve směru A).

Jestliže chcete nářadí v blokované poloze vypnout, stiskněte naplno spoušť (ve směru B) a potom ji uvolněte.

**POZOR:** Nepokoušejte se stisknout spoušť příliš velkou silou, aniž byste tiskli blokovací páčku. Mohlo by dojít k poškození spínače.

## Funkce měkkého spuštění

*Pouze pro model GA7020S / GA9020S*

Funkce měkkého spuštění omezí ráz při spuštění.

## SESTAVENÍ

**UPOZORNĚNÍ:** Než začnete na nářadí provádět jakékoli práce, vždy se předtím přesvědčte, že je vypnuté a vytažené ze zásuvky.

## Instalace boční rukojeti (držadla)

**UPOZORNĚNÍ:** Dávejte pozor, aby boční rukojeť byla vždy před prací pevně nainstalovaná.

**UPOZORNĚNÍ:** Boční rukojeť lze namontovat do 3 otvorů. Boční rukojeť namontujte do jednoho z otvorů, dle požadovaného způsobu použití.

Pevně našroubujte boční rukojeť na místo nářadí, které je ilustrováno na obrázku.

► Obr.3



## Nasazení či sejmutí chrániče kotouče (pro kotouče s vypouklým středem, lamelové disky, brousící kotouče, kotoučové drátěné kartáče / rozbrušovací kotouče, diamantové kotouče)

**VAROVÁNÍ:** Při použití kotouče s vypouklým středem, lamelového disku, brousícího kotouče nebo kotoučového drátěného kartáče musí být na nářadí nasazen chránič kotouče tak, aby byla uzavřená strana chrániče vždy nasměrována k obsluze.

**VAROVÁNÍ:** Při použití rozbrušovacího kotouče / diamantového kotouče se ujistěte, zda používáte pouze speciální chránič kotouče zkonstruovaný k použití s rozbrušovacími kotouči.

## Nářadí s chráničem kotouče a závěrným šroubem

Namontujte chránič kotouče tak, aby byly výstupky na obou stranách chrániče kotouče vyrovnané s výřezy na ložiskové skříni. Chránič kotouče pak natočte do úhlu, v němž bude podle prováděné práce chránit obsluhu. Dbejte, aby byl pevně dotažen šroub. Při demontáži chrániče kotouče použijte opačný postup montáže.

► **Obr.4:** 1. Chránič kotouče 2. Ložisková skříň 3. Šroub

## Nářadí s chráničem kotouče a upínací páčkou

Povolte matici a potom ve směru šipky potáhněte za páčku.

► **Obr.5:** 1. Matice 2. Páčka

Namontujte chránič kotouče tak, aby byly výstupky na obou stranách chrániče kotouče vyrovnané s výřezy na ložiskové skříni. Chránič kotouče pak natočte do úhlu, v němž bude podle prováděné práce chránit obsluhu.

► **Obr.6:** 1. Chránič kotouče 2. Ložisková skříň

► **Obr.7:** 1. Chránič kotouče

Bezpečně utáhněte matici pomocí klíče a poté zavřete páčku směrem k šípce, čímž se utáhne chránič kotouče. Je-li páčka příliš utažena nebo naopak volná, takže nelze utáhnout chránič kotouče, otevřete páčku a poté povolte nebo utáhněte matici pomocí klíče, tak aby se upravilo utažení chrániče kotouče.

► **Obr.8:** 1. Matice 2. Páčka

Při demontáži chrániče kotouče použijte opačný postup montáže.

## Montáž a demontáž kotouče s vypouklým středem nebo lamelového disku

### Volitelné příslušenství

**VAROVÁNÍ:** Při použití kotouče s vypouklým středem či lamelového disku musí být na nářadí nasazen chránič kotouče tak, aby byla uzavřená strana chrániče vždy nasměrována k obsluze.

**VAROVÁNÍ:** Dbejte, aby plocha pro montáž vnitřní příruby přesně zapadla do vnitřního otvoru kotouče s vypouklým středem / lamelového disku. Nasazení vnitřní příruby na chybnou stranu může způsobit nebezpečné vibrace.

Namontujte na vřetenou vnitřní přírubu. Dbejte, aby část vnitřní příruby s výstupky dosedla na přímý díl v dolní části vřetená. Umístěte kotouč / disk na vnitřní přírubu a našroubujte pojistnou matici tak, aby její výstupek směřoval nahoru.  
► **Obr.9:** 1. Pojistná matice 2. Kotouč s vypouklým středem 3. Vnitřní příruba 4. Plocha pro montáž

Při utahování pojistné matice pevně stiskněte zámek hřídele tak, aby se vřetenou nemohlo otáčet, a poté ji pomocí klíče na pojistné matice pevně utáhněte ve směru hodinových ručiček.

► **Obr.10:** 1. Klíč na pojistné matice 2. Zámek hřídele  
Při demontáži kotouče použijte opačný postup montáže.

## Nasazení a sejmutí brousícího kotouče

### Volitelné příslušenství

**VAROVÁNÍ:** Při nasazení brousícího kotouče vždy používejte dodaný chránič. Kotouč se může během provozu rozlétnout a chránič tak napomáhá omezit nebezpečí zranění.

► **Obr.11:** 1. Pojistná matice 2. Brousící kotouč 3. Opěrná podložka 4. Vnitřní příruba

Postupujte podle pokynů pro kotouče s vypouklým středem a také použijte opěrnou podložku ke kotouči.

## Instalace a demontáž brusného disku

### Volitelné příslušenství

► **Obr.12:** 1. Pojistná matice pro smirkování 2. Brusný disk 3. Pryžová podložka

1. Namontujte na vřetenou pryžovou podložku.
2. Na pryžovou podložku nasadte disk a na vřetenou našroubujte pojistnou matici pro smirkování.
3. Vřetenou přidržete zámkem hřídele a klíčem na pojistné matice pevně utáhněte ve směru hodinových ručiček pojistnou matici pro smirkování.

Při demontáži disku použijte opačný postup montáže.

**POZNÁMKA:** Používejte příslušenství brusky uvedená v této příručce. Příslušenství je nutno zakoupit samostatně.

## Příruba Super

### Volitelné příslušenství

Příruba Super je zvláštní příslušenství pro model, který NENÍ vybaven funkcí brzdy.

Modely označené písmenem F jsou standardně vybaveny přírubou Super. V porovnání s běžným typem je k povolení pojistné matice zapotřebí jen 1/3 námahy.

## Instalace a demontáž matice Ezynut

### Volitelné příslušenství

Pouze pro nářadí se závitem vřetena M14.

**▲ UPOZORNĚNÍ:** Nepoužívejte matici Ezynut s přírubou Super. Tyto příruby jsou tak silné, že vřeteno není schopno pojmout celý závit.

Namontujte vnitřní přírubu, brusný kotouč a matici Ezynut na vřeteno tak, aby logo Makita na matici Ezynut směřovalo ven.

► **Obr.13:** 1. matice Ezynut 2. brusný kotouč 3. Vnitřní příruba 4. závitové vřeteno

Pevně stiskněte zámek hřídele a utáhněte matici Ezynut otáčením brusného kotouče po směru hodinových ručiček až na doraz.

► **Obr.14:** 1. Zámek hřídele

Chcete-li povolit matici Ezynut, otáčejte vnějším prstencem matice Ezynut proti směru hodinových ručiček.

**POZNÁMKA:** Matici Ezynut je možné povolit rukou, ale jen pokud šipka míří na výřez. Jinak je k povolení zapotřebí klíč na pojistné matice. Vložte jeden čep klíče do otvoru a otáčejte maticí Ezynut proti směru hodinových ručiček.

► **Obr.15:** 1. Šipka 2. Výřez

► **Obr.16**

## Instalace rozbrušovacího kotouče / diamantového kotouče

### Volitelné příslušenství

**▲ VAROVÁNÍ:** Při použití rozbrušovacího kotouče / diamantového kotouče se ujistěte, zda používáte pouze speciální chránič kotouče zkonstruovaný k použití s rozbrušovacími kotouči.

**▲ VAROVÁNÍ:** NIKDY nepoužívejte rozbrušovací kotouč k bočnímu broušení.

Namontujte na vřeteno vnitřní přírubu. Kotouč / disk nasadte na vnitřní přírubu a na vřeteno našroubujte pojistnou matici.

► **Obr.17:** 1. pojistná matice 2. Rozbrušovací kotouč / diamantový kotouč 3. Vnitřní příruba 4. Chránič kotouče pro rozbrušovací kotouče / diamantové kotouče

### Pro Austrálii a Nový Zéland

► **Obr.18:** 1. pojistná matice 2. Vnější příruba 78 3. Rozbrušovací kotouč / diamantový kotouč 4. Vnitřní příruba 78 5. Chránič kotouče pro rozbrušovací kotouče / diamantové kotouče

## Instalace hrcového drátěného kartáče

### Volitelné příslušenství

**▲ UPOZORNĚNÍ:** Nepoužívejte poškozené a nevyvážené kartáče. Používání poškozeného kartáče může zvýšit nebezpečí zranění kontaktem s dráty roztrženého kartáče.

Položte nářadí horní stranou dolů, aby byl zajištěn snadnější přístup k vřetenu.

Z nářadí sejměte veškeré příslušenství. Na vřeteno nasadte hrcový drátěný kartáč a dotáhněte jej dodaným klíčem.

► **Obr.19:** 1. Hrcový drátěný kartáč

## Instalace kotoučového drátěného kartáče

### Volitelné příslušenství

**▲ UPOZORNĚNÍ:** Nepoužívejte poškozené a nevyvážené kotoučové drátěné kartáče. Používání poškozeného kotoučového drátěného kartáče může zvýšit nebezpečí zranění kontaktem s roztrženým kartáčem.

**▲ UPOZORNĚNÍ:** Při práci s kotoučovým drátěným kartáčem VŽDY používejte chránič – ujistěte se přitom, zda se průměr kotouče do chrániče vejde. Kotouč se může během provozu rozltnout a chránič tak napomáhá omezit nebezpečí zranění.

Položte nářadí horní stranou dolů, aby byl zajištěn snadnější přístup k vřetenu.

Z nářadí sejměte veškeré příslušenství. Na vřeteno našroubujte drátěný kartáč a dotáhněte jej klíčem.

► **Obr.20:** 1. Kotoučový drátěný kartáč

## Montáž vyvrtávacího nástroje

### Volitelné příslušenství

Položte nářadí horní stranou dolů, aby byl zajištěn snadnější přístup k vřetenu.

Ze vřetena sejměte veškeré příslušenství. Na vřeteno našroubujte vyvrtávací nástroj a dotáhněte jej dodaným klíčem.

► **Obr.21:** 1. Vyvrtávací nástroj

## Montáž chrániče kotouče se sběrem prachu pro broušení

Pouze pro model GA7020S / GA9020S

### Volitelné příslušenství

Při použití volitelného příslušenství můžete tento nástroj použít k zarovnávaní betonu.

**⚠ UPOZORNĚNÍ:** Chráníč kotouče se sběrem prachu pro přesazený diamantový kotouč slouží pouze pro srovnávání betonu pomocí přesazeného diamantového kotouče. Nepoužívejte tento chráníč pro jiné řezací příslušenství nebo jiný účel.

**⚠ UPOZORNĚNÍ:** Před provozem se ujistěte, že je k nářadí připojen vysavač, který je zapnutý.

Položte nářadí horní stranou dolů a namontujte chráníč kotouče se sběrem prachu.

Namontujte na vřeteno vnitřní přírubu.

Diamantový kotouč miskového typu nasadte na vnitřní přírubu a na vřeteno utáhněte pojistnou matici.

► **Obr.22:** 1. pojistná matice 2. Diamantový kotouč miskového typu 3. Diamantový kotouč miskového typu se zesíleným středem 4. Vnitřní příruba 5. Chráníč kotouče se sběrem prachu 6. Ložisková skříň

**POZNÁMKA:** Informace o instalaci chrániče kotouče se sběrem prachu naleznete v návodu k chrániči kotouče se sběrem prachu.

## Montáž chrániče kotouče se sběrem prachu pro rozbrušování

### Volitelné příslušenství

Při použití volitelného příslušenství můžete tento nástroj použít k řezání kamene.

► **Obr.23**

**POZNÁMKA:** Informace o instalaci chrániče kotouče se sběrem prachu naleznete v návodu k chrániči kotouče se sběrem prachu.

## Montáž a demontáž nástavce protiprachového krytu

### Volitelné příslušenství

**⚠ UPOZORNĚNÍ:** Před montáží nebo demontáží nástavce protiprachového krytu se vždy nejprve ujistěte, že je nářadí vypnuté a odpojené od zdroje elektřiny. Jinak může dojít k poškození nářadí či úrazu osob.

Namontujte nástavec protiprachového krytu do každé určené polohy. Podrobné informace jsou uvedeny v návodu k obsluze nástavce protiprachového krytu.

**POZOR:** Jestliže se nástavec protiprachového krytu ucpe prachem či jiným materiálem, vyčistěte jej. Pokud budete pokračovat v provozu s ucpaným nástavcem protiprachového krytu, dojde k poškození nářadí.

## PRÁCE S NÁŘADÍM

**⚠ VAROVÁNÍ:** Na nářadí by nikdy neměl být vyvíjen příliš velký tlak. Dostatečný tlak je zajištěn hmotností samotného nářadí. Příliš velký tlak by mohl vést k nebezpečnému roztržení kotouče.

**⚠ VAROVÁNÍ:** Pokud nářadí při broušení upustíte, VŽDY vyměňte kotouč.

**⚠ VAROVÁNÍ:** NIKDY s kotoučem nenarážejte do zpracovávaného materiálu.

**⚠ VAROVÁNÍ:** Vyvarujte se narážení a zaseknutí kotouče, a to zejména při opracovávání rohů, ostrých hran, apod. Mohlo by dojít ke ztrátě kontroly a zpětnému rázu.

**⚠ VAROVÁNÍ:** NIKDY nepoužívejte nářadí s řeznými kotouči na dřevo ani jinými pilovými kotouči. Při použití takových kotoučů na brusce často dochází k rázům a ztrátě kontroly, ze které vyplývají zranění.

**⚠ UPOZORNĚNÍ:** Nikdy nářadí nezapínejte, pokud je v kontaktu se zpracovávaným dílem. Mohlo by dojít ke zranění.

**⚠ UPOZORNĚNÍ:** Při práci vždy používejte ochranné brýle nebo obličejový štít.

**⚠ UPOZORNĚNÍ:** Po ukončení práce vždy nářadí vypněte a před položením vždy vyčkejte, dokud se kotouč úplně nezastaví.

**⚠ UPOZORNĚNÍ:** Nářadí VŽDY pevně držte jednou rukou na skříni a druhou rukou na boční rukojeti (držadle).

**POZNÁMKA:** Dvojúčelový kotouč lze použít k broušení i rozbrušování.

Broušení viz kapitola „Broušení a smirkování“ a rozbrušování viz kapitola „Provoz s rozbrušovacím kotoučem / diamantovým kotoučem“.

## Broušení a smirkování

► **Obr.24**

Zapněte nářadí a přiložte kotouč nebo disk na zpracovávaný díl.

Obecně udržujte okraj kotouče nebo disku pod úhlem přibližně 15° k povrchu dílu.

Při záběhu nového kotouče nepracujte s bruskou ve směru dopředu. V opačném případě se bruska může zaříznout do zpracovávaného materiálu. Jakmile dojde provozem k zaoblení okraje kotouče, lze s kotoučem pracovat ve směru dopředu i dozadu.

**Příklad použití: práce s diamantovým kotoučem miskového typu**

► **Obr.25**

Držte nářadí vodorovně a přiložte celý diamantový kotouč miskového typu na povrch obrobku.

## Provoz s rozbrušovacím kotoučem / diamantovým kotoučem

### Volitelné příslušenství

**VAROVÁNÍ:** Zamezte zaseknutí kotouče a nevyvíjejte na něj přílišný tlak. Nepokoušejte se o provádění příliš hlubokých řezů. Vyvinete-li na kotouč příliš velký tlak, zvyšuje se jeho zatížení a náchylnost ke kroucení nebo ohybu v řezu a tudíž možnost zpětného rázu nebo roztržení kotouče.

**VAROVÁNÍ:** Nezačínajte řezat s kotoučem v obrobku. Nechte kotouč dosáhnout plných otáček a pak jej opatrně ved'te do řezu: posouvajte nářadí vpřed přes povrch obrobku. Spustíte-li kotouč v obrobku, může dojít k jeho uváznutí, vyskočení nebo zpětnému rázu.

**VAROVÁNÍ:** Během práce nikdy nemějte úhel kotouče. Vyvinete-li na rozbrušovací kotouč boční tlak (jako při broušení), dojde k popraskání a roztržení kotouče a vážnému zranění.

**VAROVÁNÍ:** S diamantovým kotoučem je třeba řezat do opracovávaného materiálu svísele.

Příklad použití: práce s rozbrušovacím kotoučem  
► Obr.26

Příklad použití: práce s diamantovým kotoučem  
► Obr.27

## Provoz s hrcovým drátěným kartáčem

### Volitelné příslušenství

**UPOZORNĚNÍ:** Spuštěním nářadí naprázdno zkontrolujte funkci kartáče a ujistěte se přitom, zda před ním či v jeho blízkosti nejsou žádné osoby.

**POZOR:** Nevyvíjejte příliš silný tlak, jelikož by se při práci s hrcovým drátěným kartáčem mohly dráty ohnout. Mohlo by dojít k předčasnému zničení.

Příklad použití: práce s hrcovým drátěným kartáčem  
► Obr.28

## Provoz s kotoučovým drátěným kartáčem

### Volitelné příslušenství

**UPOZORNĚNÍ:** Spuštěním nářadí naprázdno zkontrolujte funkci kotoučového drátěného kartáče a ujistěte se přitom, zda před ním či v jeho blízkosti nejsou žádné osoby.

**POZOR:** Nevyvíjejte příliš silný tlak, jelikož by mohlo dojít při používání kotoučového drátěného kartáče k ohnutí drátů. Mohlo by dojít k předčasnému zničení.

Příklad použití: práce s kotoučovým drátěným kartáčem  
► Obr.29

## Provoz s vyvrtávacím nástrojem

### Volitelné příslušenství

**UPOZORNĚNÍ:** Spuštěním nářadí naprázdno zkontrolujte funkci vyvrtávacího nástroje a ujistěte se přitom, zda před ním nejsou žádné osoby.

**POZOR:** Během práce nářadí neklopte. Mohlo by dojít k předčasnému zničení.

Příklad použití: provoz s vyvrtávacím nástrojem  
► Obr.30

## ÚDRŽBA

**UPOZORNĚNÍ:** Než začnete provádět kontrolu nebo údržbu nářadí, vždy se přesvědčte, že je vypnuté a vytažené ze zásuvky.

**POZOR:** Nikdy nepoužívejte benzín, benzen, ředidlo, alkohol či podobné prostředky. Mohlo by tak dojít ke změnám barvy, deformacím či vzniku prasklin.

K zachování BEZPEČNOSTI a SPOLEHLIVOSTI výrobku musí být opravy a veškerá další údržba či seřizování prováděny autorizovanými nebo továrními servisními středisky společnosti Makita s využitím náhradních dílů Makita.

## Čištění větracích otvorů

Nářadí a větrací otvory je nutno udržovat v čistotě. Větrací otvory nářadí čistěte pravidelně nebo kdykoliv dojde k jejich zablokování.

► Obr.31: 1. Výfukový otvor 2. Sací otvor

## Výměna uhlíků

► Obr.32: 1. Komutátor 2. Izolační špička 3. Uhlík

Když je izolační špička uvnitř uhlíku vystavena kontaktu s komutátorem, automaticky vypne motor. Když toto nastane, je nutné vyměnit oba uhlíky. Udržujte uhlíky čisté a zajistěte, aby se mohly v držácích volně pohybovat. Oba uhlíky je třeba vyměňovat najednou. Používejte výhradně stejné uhlíky. Pomocí šroubováku odšroubujte víčka držáků uhlíků. Vyměňte opotřebené uhlíky, vložte nové a opět víčka držáků uhlíků namontujte.

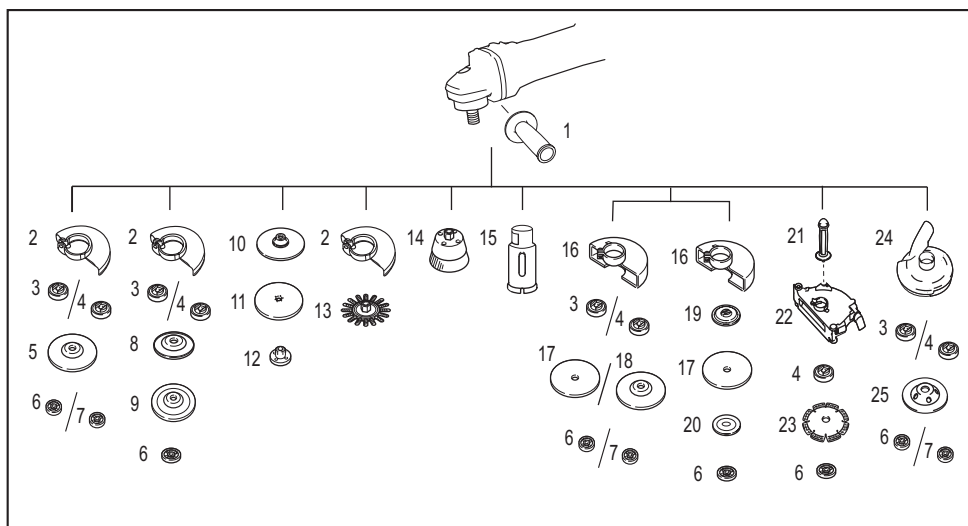
► Obr.33: 1. víčko držáku uhlíku 2. Šroubovák

# KOMBINACE OBLASTÍ POUŽITÍ A PŘÍSLUŠENSTVÍ

## Volitelné příslušenství

**⚠ UPOZORNĚNÍ:** Použití nářadí s nesprávnými chrániči může způsobit následující rizika.

- Při použití chrániče rozbrušovacího kotouče pro čelní broušení může chránič kotouče zasahovat do obrobku, a způsobit tak špatné ovládání.
- Při použití chrániče brusného kotouče pro rozbrušování s lepenými brusnými kotouči a diamantovými kotouči hrozí zvýšené riziko vystavení rotujícím kotoučům, odlétávajícím jiskrám a částicím, a také vystavení úlomkům kotouče v případě jeho prasknutí.
- Při použití chrániče rozbrušovacího kotouče nebo brusného kotouče pro čelní broušení s kotouči miskového typu může chránič kotouče zasahovat do obrobku, a způsobit tak špatné ovládání.
- Při použití chrániče rozbrušovacího kotouče nebo chrániče brusného kotouče s kotoučovým drátěným kartáčkem o tloušťce větší, než je maximální tloušťka uvedená v části „SPECIFIKACE“, se mohou dráty zachytit o chránič, což povede k přetržení drátů.
- Použití chráničů kotouče se sběrem prachu pro rozbrušování a čelní broušení v betonu nebo zdivu snižuje riziko vystavení působení prachu.
- Při použití dvouúčelových (kombinovaných rozbrušovacích a brusných) kotoučů namontovaných na přírubě používejte pouze chránič rozbrušovacího kotouče.



-	Použití	Model 180 mm	Model 230 mm
1	-	Boční rukojeť	
2	-	Chránič kotouče (pro brusný kotouč)	
3	-	Vnitřní příruba	
4	-	Příruba Super *1	
5	Broušení/smirkování	Kotouč s vypouklým středem / lamelový disk	
6	-	Pojistná matice	
7	-	matice Ezynut *1*2	
8	-	Opěrná podložka	
9	Broušení	Brousící kotouč	
10	-	Pryžový kotouč	
11	Smirkování	brusný disk	
12	-	Pojistná matice pro smirkování	
13	Kartáčování	Kotoučový drátěný kartáč	
14	Kartáčování	Hrnčový drátěný kartáč	

	Použití	Model 180 mm	Model 230 mm
15	Vyvrátání	Vyvrátací nástroj	
16	-	Chránič kotouče (pro rozbrušovací kotouč)	
17	Rozbrušování	Rozbrušovací kotouč / diamantový kotouč	
18	Broušení/rozbrušování	Dvojúčelový kotouč	-
19	-	Vnitřní příruba 78 (pouze Austrálie a Nový Zéland) *3	
20	-	Vnější příruba 78 (pouze Austrálie a Nový Zéland) *3	
21	-	Boční rukojeť pro chránič kotouče se sběrem prachu *4	
22	-	Chránič kotouče se sběrem prachu pro rozbrušování *4*5	
23	Rozbrušování	Diamantový kotouč	
24	-	Chránič kotouče se sběrem prachu pro broušení *6	
25	Broušení	Diamantový kotouč miskového typu *6	
-	-	Klíč na pojistné matice	
-	-	Nástavec protiprachového krytu	

**POZNÁMKA:** \*1 Nepoužívejte současně přírubu Super a matici Ezynut.

**POZNÁMKA:** \*2 Pouze pro nářadí se závitem vřetena M14.

**POZNÁMKA:** \*3 Vnitřní příruba 78 a vnější příruba 78 používejte současně. (Pouze Austrálie a Nový Zéland)

**POZNÁMKA:** \*4 Boční rukojeť pro chránič kotouče se sběrem prachu a chránič kotouče se sběrem prachu pro rozbrušování používejte současně.

**POZNÁMKA:** \*5 Více podrobností naleznete v návodu k obsluze příslušného chrániče.

**POZNÁMKA:** \*6 Pouze pro model GA7020S / GA9020S

Více podrobností naleznete v návodu k obsluze příslušného chrániče.

## VOLITELNÉ PŘÍSLUŠENSTVÍ

**⚠ UPOZORNĚNÍ:** Pro nářadí Makita popsané v tomto návodu doporučujeme používat následující příslušenství a nástavce. Při použití jiného příslušenství či nástavců může hrozit nebezpečí zranění osob. Příslušenství lze používat pouze pro stanovené účely.

Potřebujete-li bližší informace ohledně tohoto příslušenství, obraťte se na místní servisní středisko společnosti Makita.

- Příslušenství uvedené v kapitole „KOMBINACE OBLASTÍ POUŽITÍ A PŘÍSLUŠENSTVÍ“

**POZNÁMKA:** Některé položky seznamu mohou být k nářadí přibaleny jako standardní příslušenství. Přibalené příslušenství se může v různých zemích lišit.




## ТЕХНІЧНІ ХАРАКТЕРИСТИКИ

Модель:		GA7020 / GA7020Y	GA7020S	GA7021	GA9020 / GA9020Y	GA9020S
Застосовний шліфувальний круг	Макс. діаметр круга	180 мм			230 мм	
	Макс. товщина круга	7,2 мм			6,5 мм	
Застосовний відрізний круг	Макс. діаметр круга	180 мм			230 мм	
	Макс. товщина круга	4,0 мм			3,2 мм	
Застосовна дискова дротяна щітка	Макс. діаметр круга	150 мм			175 мм	
	Макс. товщина круга	20 мм				
Різьба шпинделя		M14, або M16, або 5/8" (залежить від країни продажу)				
Макс. довжина шпинделя		26 мм				
Частота обертання в режимі холостого ходу ( $n_0$ ) / Номінальна частота обертання (n)		8 500 хв <sup>-1</sup>		6 600 хв <sup>-1</sup>		
Загальна довжина		473 мм				
Маса нетто		5,6–7,8 кг	5,7–7,9 кг	5,6–7,8 кг	5,8–7,9 кг	5,8–8,0 кг
Клас безпеки		□/II				

- Оскільки наша програма наукових досліджень і розробок триває безперервно, наведені тут технічні характеристики можуть бути змінені без попередження.
- У різних країнах технічні характеристики можуть бути різними.
- Вага може відрізнятися залежно від допоміжного обладнання. Найлегші та найважчі комплекти, відповідно до стандарту ЕРТА (Європейська асоціація виробників електроінструменту) від січня 2014 року, представлено в таблиці.

### СИМВОЛИ

Далі наведено символи, які можуть застосовуватися для позначення обладнання. Перед користуванням переконайтеся, що ви розумієте їхнє значення.

	Читайте інструкцію з експлуатації.
	Вдягайте захисні окуляри.
	Завжди працюйте двома руками.
	Не використовуйте захисний кожух круга під час різання.
	ПОВІЙНА ІЗОЛЯЦІЯ



Тільки для країн ЄС

Через наявність в обладнанні небезпечних компонентів використане електричне та електронне обладнання може негативно впливати на навколишнє середовище та здоров'я людини.

Не викидайте електричні та електронні прилади разом з побутовими відходами! Відповідно до директиви ЄС стосовно відходів електричного та електронного устаткування та її адаптації до національного законодавства, використане електричне та електронне обладнання має окремо збиратися й доставлятися на пункт роздільного збору комунальних відходів, який працює з дотриманням правил охорони навколишнього середовища.

Це позначено символом у вигляді перекресленого сміттового контейнера з колесами, нанесеним на обладнання.

### Призначення

Інструмент призначений для шліфування абразивним кругом/диск, шліфування абразивним папером, захищення металевою щіткою, прорізання отворів і різання металів і каміння без використання води.

### Джерело живлення

Інструмент можна підключати лише до джерела живлення, що має напругу, зазначену в таблиці із заводськими характеристиками, і він може працювати лише від однофазного джерела змінного струму. Він має подвійну ізоляцію, а отже може також підключатися до розеток без лінії заземлення.

## Для використання від низьковольтної мережі від 220 В до 250 В

Увімкнення та вимкнення електричного приладу спричиняє коливання напруги. Експлуатація цього пристрою за несприятливих умов мережі може погано вплинути на роботу іншого обладнання. Можна припустити, що при опорі мережі 0,27 Ом або нижче ніякого негативного впливу не буде. Мережна розетка, до якої буде підключатися пристрій, повинна бути захищена запобіжником або захисним автоматичним вимикачем плавного розчеплювання.

## Шум

Рівень шуму за шкалою А в типовому виконанні, визначений відповідно до стандарту EN62841-2-3:

Модель	Рівень звукового тиску ( $L_{PA}$ ): (дБ (А))	Рівень звукової потужності ( $L_{WA}$ ): (дБ (А))	Похибка (К): (дБ (А))
GA7020 / GA7020Y	92	100	3
GA7020S	92	100	3
GA7021	92	100	3
GA9020 / GA9020Y	92	100	3
GA9020S	92	100	3

**ПРИМІТКА:** Заявлене значення шуму було виміряно відповідно до стандартних методів тестування й може використовуватися для порівняння одного інструмента з іншим.

**ПРИМІТКА:** Заявлене значення шуму може також використовуватися для попереднього оцінювання впливу.

**▲ ПОПЕРЕДЖЕННЯ:** Користуйтеся засобами захисту органів слуху.

**▲ ПОПЕРЕДЖЕННЯ:** Залежно від умов використання рівень шуму під час фактичної роботи електроінструмента може відрізнятись від заявленого значення вібрації; особливо сильно на це впливає тип деталі, що оброблюється.

**▲ ПОПЕРЕДЖЕННЯ:** Забезпечте належні запобіжні заходи для захисту оператора, що відповідають умовам використання інструмента (слід брати до уваги всі складові робочого циклу, як-от час, коли інструмент вимкнено та коли він починає працювати на холостому ході під час запуску).

**▲ ПОПЕРЕДЖЕННЯ:** Загальний рівень шуму під час шліфування тонких листів металу або інших схильних до вібрації конструкцій із великою поверхнею обробки може значно (до 15 дБ) перевищувати заявлені значення шуму.

Щоб запобігти сильному шуму, обкладіть ці конструкції важкими гнучкими амортизаційними матами або чимось подібним.

Враховуйте таке підвищення рівня шуму під час оцінки ризиків, пов'язаних із впливом шуму, та вибору відповідного засобу захисту органів слуху.

## Вібрація

Загальна величина вібрації (векторна сума трьох напрямків) визначена згідно з EN62841-2-3:

**Режим роботи:** шліфування поверхні за допомогою звичайної бокової рукоятки

Модель	Розповсюдження вібрації ( $a_{H,AG}$ ): (м/с <sup>2</sup> )	Похибка (К): (м/с <sup>2</sup> )
GA7020 / GA7020Y	8,5	1,5
GA7020S	8,5	1,5
GA7021	5,0	1,5
GA9020 / GA9020Y	5,5	1,5
GA9020S	5,5	1,5



**Режим роботи: шліфування поверхні за допомогою вібростійкої бокової рукоятки**

Модель	Розповсюдження вібрації ( $a_{H,AG}$ ): (м/с <sup>2</sup> )	Похибка (К): (м/с <sup>2</sup> )
GA7020 / GA7020Y	8,0	1,5
GA7020S	8,0	1,5
GA7021	4,5	1,5
GA9020 / GA9020Y	5,5	1,5
GA9020S	5,5	1,5

**Режим роботи: шліфування диском за допомогою звичайної бокової рукоятки**

Модель	Розповсюдження вібрації ( $a_{H,DS}$ ): (м/с <sup>2</sup> )	Похибка (К): (м/с <sup>2</sup> )
GA7020 / GA7020Y	2,5	1,5
GA7020S	2,5	1,5
GA7021	2,5 м/с <sup>2</sup> або менше	1,5
GA9020 / GA9020Y	2,5 м/с <sup>2</sup> або менше	1,5
GA9020S	2,5 м/с <sup>2</sup> або менше	1,5

**Режим роботи: шліфування диском за допомогою вібростійкої бокової рукоятки**

Модель	Розповсюдження вібрації ( $a_{H,DS}$ ): (м/с <sup>2</sup> )	Похибка (К): (м/с <sup>2</sup> )
GA7020 / GA7020Y	2,5	1,5
GA7020S	2,5	1,5
GA7021	2,5 м/с <sup>2</sup> або менше	1,5
GA9020 / GA9020Y	2,5 м/с <sup>2</sup> або менше	1,5
GA9020S	2,5 м/с <sup>2</sup> або менше	1,5

**ПРИМІТКА:** Заявлене загальне значення вібрації було виміряно відповідно до стандартних методів тестування й може використовуватися для порівняння одного інструмента з іншим.

**ПРИМІТКА:** Заявлене загальне значення вібрації може також використовуватися для попереднього оцінювання впливу.

**⚠ ПОПЕРЕДЖЕННЯ:** Залежно від умов використання вібрація під час фактичної роботи електроінструмента може відрізнятися від заявленого значення вібрації; особливо сильно на це впливає тип деталі, що оброблюється.

**⚠ ПОПЕРЕДЖЕННЯ:** Забезпечте належні запобіжні заходи для захисту оператора, що відповідають умовам використання інструмента (слід брати до уваги всі складові робочого циклу, як-от час, коли інструмент вимкнено та коли він починає працювати на холостому ході під час запуску).

**⚠ ПОПЕРЕДЖЕННЯ:** Заявлене значення вібрації відноситься до основних операцій, що виконуються за допомогою електроінструмента. Однак у разі використання інструмента з іншою метою значення вібрації може відрізнятися.

## Декларація про відповідність стандартам ЄС

Тільки для країн Європи

Декларацію про відповідність стандартам ЄС наведено в Додатку А до цієї інструкції з експлуатації.

## ПОПЕРЕДЖЕННЯ ПРО ДОТРИМАННЯ ТЕХНІКИ БЕЗПЕКИ

### Загальні застереження щодо техніки безпеки при роботі з електроінструментами

**⚠ ПОПЕРЕДЖЕННЯ** Уважно ознайомтеся з усіма попередженнями, інструкціями, рисунками й технічними характеристиками, які стосуються цього електроінструмента. Невиконання наведених далі інструкцій може призвести до ураження електричним струмом, пожежі й (або) тяжких травм.

## Збережіть усі інструкції з техніки безпеки та експлуатації на майбутнє.

Термін «електроінструмент», зазначений у інструкції з техніки безпеки, стосується електроінструмента, який функціонує від електромережі (електроінструмент з кабелем живлення), або електроінструмента з живленням від батареї (безпроводний електроінструмент).

### Попередження про необхідну обережність під час роботи зі шліфувальною машиною

Загальні попередження про необхідну обережність під час шліфування абразивним кругом/диском, шліфування абразивним папером, зачищення металевою щіткою та різання

1. Цей електроінструмент призначений для шліфування абразивним кругом/диском, шліфування абразивним папером, зачищення металевою щіткою, прорізання отворів або відрізання. Уважно ознайомтеся з усіма попередженнями, інструкціями, рисунками й технічними характеристиками, що стосуються цього електроінструмента. Невиконання наведених далі інструкцій може призвести до враження електричним струмом, пожежі й/або тяжких травм.
2. Цей електроінструмент не призначено для полірування. Використання електроінструмента не за призначенням може спричинити небезпечну ситуацію та призвести до травмування.
3. Не змінюйте конструкцію електроінструмента з метою його використання у спосіб, що відрізняється від того, який передбачено й узгоджено виробником інструмента. Такі зміни можуть призвести до втрати контролю та спричинити серйозні травми.
4. Заборонено використовувати приладдя, яке спеціально не призначено для цього інструмента виробником. Навіть якщо приладдя можна приєднати до електроінструмента, це не гарантує безпечної експлуатації.
5. Номінальна швидкість приладдя має щонайменше дорівнювати максимальній швидкості, яка вказана на електроінструменті. Приладдя, що обертається зі швидкістю, більшою за номінальну, може зламатися та відскочити.
6. Зовнішній діаметр і товщина приладдя мають бути в межах номінальних характеристик електроінструмента. Приладдя неналежних розмірів неможливо захистити або контролювати належним чином.
7. Розміри кріплення приладдя повинні відповідати розмірам кріплення електроінструмента. Використання приладдя, кріплення якого не підходять до кріплення електроінструмента, призводить до втрати рівноваги, надмірної вібрації та може спричинити втрату контролю.
8. Використовувати пошкоджене приладдя заборонено. Перед кожним використанням слід перевірити приладдя, як-от абразивні круги, на наявність зазубин і тріщин, підкладку-підшосу — на наявність тріщин або зношення, а металеві щітки — на наявність послаблених або тріснутих дротів. У разі падіння електроінструмента або приладдя необхідно оглянути виріб на наявність пошкоджень або встановити неушкоджене приладдя. Після огляду та встановлення приладдя займіть таке положення, щоб ви та сторонні особи перебували поза площиною обертання приладдя, запустіть електроінструмент і дайте йому попрацювати на максимальній швидкості без навантаження протягом однієї хвилини. Під час такого пробного запуску пошкоджене приладдя завзячай розпадається на частини.
9. Використовуйте засоби індивідуального захисту. Залежно від сфери застосування необхідно користуватися захисним щитком або захисними окулярами. За необхідності носіть пилозахисну маску, засоби захисту органів слуху, рукавиці та робочий фартух, які здатні затримувати дрібні частинки абразивного матеріалу або деталі. Засоби захисту органів зору повинні бути здатними затримувати уламки, що розлітаються під час виконання різних операцій. Пилозахисна маска або респіратор мають фільтрувати частинки, що утворюються під час виконання певної операції. Тривала дія сильного шуму може призвести до втрати слуху.
10. Сторонні особи мають знаходитися на безпечній відстані від місця роботи. Кожна особа, яка входить до робочої зони, має носити засоби індивідуального захисту. Частинки оброблюваної деталі або уламки приладдя можуть відлетіти та спричинити травмування.
11. Під час виконання роботи, за якої різальне приладдя може зачепити приховану електропроводку або власний шнур, тримайте електроінструмент тільки за призначені для цього ізольовані поверхні. Торкання різальним приладдям дроту під напругою може призвести до передавання напруги до оголених металевих частин інструмента і до ураження оператора електричним струмом.
12. Шнур має бути на відстані від приладдя, що обертається. У разі втрати контролю шнур може бути перерізано або пошкоджено, і руку може затягнути до приладдя, що обертається.
13. Не можна відкладати електроінструмент, доки приладдя повністю не зупиниться. Приладдя, що обертається, може зачепити поверхню, і ви не зможете втримати електроінструмент.
14. Не можна вмикати електроінструмент, тримаючи його впритул до себе. Унаслідок випадкового контакту приладдя, що обертається, може зачепити одяг та призвести до руху приладдя в напрямку тіла.
15. Регулярно очищуйте вентиляційні отвори електроінструмента. Вентилятор двигуна втягує пил усередину кожуха, а надмірне скупчення металевого порошку створює ризик ураження електричним струмом.

16. **Не можна працювати з електроінструментом поблизу легкозаймистих матеріалів.** Ці матеріали можуть спалахнути від іскри.
17. **Не можна використовувати приладдя, що потребує застосування охолоджувальних рідин.** Використання води або інших охолоджувальних рідин може призвести до враження електричним струмом.
2. **Шліфувальну поверхню кругів із заглибленим центром необхідно встановлювати під площиною кромки захисного кожуха.** Неправильно встановлений круг, який виступає за площину кромки захисного кожуха, не можна закрити належним чином.

#### **Віддача та відповідні попередження**

Віддача — це миттєва реакція на защемлення або чіплення круга, що обертається, підкладки-підшви, щітки або будь-якого іншого приладдя. Защемлення або чіплення призводить до швидкої зупинки приладдя, що обертається, і це у свою чергу спричиняє неконтрольований рух електроінструмента в напрямку, протилежному до напрямку обертання приладдя в місці заклинювання. Наприклад, якщо абразивний круг защемлений або зачеплений деталлю, край круга, що входить до місця защемлення, може увійти в поверхню матеріалу, що призведе до відскоку круга або віддачі. Круг може відскочити в напрямку оператора або від нього; це залежить від напрямку руху круга в місці защемлення. За таких умов абразивні круги можуть також зламатися. Причинами віддачі є неправильне користування електроінструментом та/або неправильні умови чи порядок експлуатації; її можна уникнути, уживши запобіжних заходів, зазначених нижче.

1. **Міцно тримайте електроінструмент обома руками за рукоятку та займіть таке положення, яке дозволить вам опиратися силі віддачі.** Обов'язково користуйтеся допоміжною рукою (за наявності), щоб збільшити до максимуму контроль за віддачею або реакцією від крутного моменту під час пуску. Якщо вжити всіх запобіжних заходів, оператор зможе контролювати реакцію крутного моменту або силу віддачі.
2. **У жодному разі не можна тримати руку біля приладдя, що обертається.** Приладдя може травмувати руку під час віддачі.
3. **Не стійте на можливій траєкторії руху електроінструмента в разі віддачі.** У разі віддачі інструмент рухатиметься в напрямку, протилежному напрямку обертання круга.
4. **Будьте особливо обережні під час обробки кутів, гострих країв тощо.** Уникайте відскоків і чіплення приладдя. Кути, гострі краї або відскоки призводять до чіплення приладдя, що обертається, спричиняючи втрату контролю та віддачу.
5. **Не використовуйте з цим інструментом ланцюг для пили, диск для різання деревини, сегментований алмазний диск із зоромом більше 10 мм або зубчатий диск пили.** Такі диски часто спричиняють віддачу та втрату контролю.

**Спеціальні попередження про необхідну обережність під час шліфування абразивним кругом/диском і операції відрізання**

1. **Використовуйте круги тільки того типу, який вказано в переліку рекомендованих для цього електроінструмента, а також спеціальний захисний кожух, призначений для вибраного круга.** Круги, для роботи з якими електроінструмент не призначено, не можна надійно закрити захисним кожухом, тому вони становлять небезпеку.

3. **Захисний кожух необхідно надійно прикріпити до електроінструмента та з міркувань досягнення максимальної безпеки розташувати так, щоб круг був якомога менше відкритим у напрямку оператора.** Кожух захищає оператора від уламків зламаного круга, від випадкового контакту з кругом та від іскор, через які може зайнятися одяг.
4. **Круги необхідно використовувати тільки за вказаним призначенням.** Наприклад, шліфувати поверхні бічною стороною відрізного круга не можна. Абразивні відрізни круги призначені для шліфування периферією круга; у разі докладання бічних зусиль до цих кругів вони можуть розколотися.
5. **Обов'язково використовуйте неушкоджені фланці кругів, розмір та форма яких відповідають вибраному кругу.** Правильно підібрані фланці добре підтримують круг і таким чином зменшують імовірність його поломи. Фланці для відрізних кругів можуть відрізнятись від фланців для шліфувальних кругів.
6. **Не можна використовувати зношені круги від більших електроінструментів.** Круг, призначений для більшого електроінструмента, не підходить до високошвидкісного інструмента меншого розміру та може розірватися.
7. **Застосовуючи круги подвійного призначення, завжди використовуйте відповідний захисний кожух, що підходить для виконуваної роботи.** Неправильно вибраний захисний кожух не зможе забезпечувати бажаний рівень захисту, що може призвести до серйозних травм.

**Додаткові спеціальні попередження про необхідну обережність під час операції відрізання**

1. **Не можна «заклинювати» відрізний круг або прикладати надмірний тиск.** Не намагайтеся зробити розріз надмірної глибини. Надмірний тиск на круг збільшує навантаження та ризик перекошування або заклинювання круга в розрізі, а також може спричинити віддачу або поломку круга.
2. **Не можна знаходитися на одній лінії з кругом або позаду круга, що обертається.** Коли під час роботи круг рухається від вас, то можлива віддача може відштовхнути круг, що обертається, та електроінструмент прямо у ваш бік.
3. **Якщо круг застрягне або процес різання буде перервано з будь-якої причини, вимкніть електроінструмент і утримуйте його нерухомо до повної зупинки круга.** У жодному разі не намагайтеся витягти відрізний круг із розрізу, поки він рухається; недотримання цієї вимоги може призвести до віддачі. Огляньте круг і вживіть необхідних заходів, щоб усунути причину його заклинювання.

4. **Заборонено заново починати операцію різання, доки круг залишається в робочій деталі.** Спочатку круг повинен набрати повну швидкість, лише потім його можна обережно заново ввести в розріз. Якщо електроінструмент перезапустити, коли круг знаходиться в робочій деталі, круг може застрягти, спінутися або спричинити віддачу.
5. **Під час роботи з панелями або будь-якими деталями великого розміру необхідно забезпечити опору, щоб мінімізувати ризик защемлення круга або виникнення віддачі.** Великі робочі деталі зазвичай прогинаються під власною вагою. Опори необхідно розташовувати під робочою деталлю поблизу лінії різання та поблизу краю робочої деталі з обох боків круга.
6. **Необхідна особлива обережність під час вирізання виймок у стінах або інших невидимих зонах.** Круг, що виступає вперед, може зачепити газо- або водопровід, електропроводку або предмети, що можуть спричинити віддачу.
7. **Не намагайтеся робити криволінійний розріз.** Надмірний тиск на круг збільшує навантаження та ризик перекошування або заклинювання круга в розрізі, а також може спричинити віддачу або поломку круга, внаслідок чого можливе серйозне травмування.
8. **Перед використанням сегментованого алмазного диска слід переконатися, що зазор між сегментами алмазного диска становить 10 мм або менше і диск має від'ємний передній кут.**

**Спеціальні попередження про необхідну обережність під час шліфування абразивним папером**

1. **Використовуйте абразивний папір відповідного розміру.** Вибираючи абразивний папір, дотримуйтеся рекомендацій виробника. Завеликий абразивний папір, що надто виступає за межі шліфувальної подушки, становить небезпеку поранення та може призвести до чіплення, задирання диска або до віддачі.

**Спеціальні попередження про необхідну обережність під час зачищення металевою щіткою**

1. **Пам'ятайте, що від щітки відлітають уламки дроту, навіть під час звичайної роботи. Не перенапружуйте дріт, прикладаючи надмірне навантаження до щітки.** Уламки дроту можуть легко пробити легкий одяг та/або шкіру.
2. **Якщо під час зачищення металевою щіткою рекомендовано використовувати захисний кожух, не допускайте контакту дискової дротяної щітки або щітки та кожуха.** Під дією робочого навантаження та відцентрових сил діаметр щітки або дискової дротяної щітки може збільшитися.

**Додаткові попередження про необхідну обережність:**

1. **У разі використання шліфувальних кругів із заглибленим центром використовуйте лише круги, армовані скловолокном.**
  2. **У ЖОДНОМУ РАЗІ НЕ ВИКОРИСТОВУЙТЕ з цієї шліфувальною машиною чашоподібні шліфувальні круги для роботи по каменю.** Ця шліфувальна машина не призначена для використання кругів такого типу, і таке використання виробу може призвести до важких травм.
3. **Будьте обережні, щоб не пошкодити шпindel, фланець (особливо поверхню встановлення) або контргайку.** Пошкодження цих деталей може призвести до поломки круга.
  4. **Перед увімкненням інструмента переконайтеся, що круг не торкається деталі.**
  5. **Перед початком використання інструмента запустіть його та дайте попрацювати йому деякий час.** Звертайте увагу на вібрацію або нерівний хід — це може вказувати на незадовільне встановлення або балансування круга.
  6. **Використовуйте зазначену поверхню круга для шліфування.**
  7. **Не залишайте без нагляду інструмент, який працює.** Працюйте з інструментом, тільки тримаючи його в руках.
  8. **Не торкайтеся деталі одразу після обробки — вона може бути дуже гарячою та спричинити опік шкіри.**
  9. **Не торкайтеся допоміжних деталей одразу після обробки — вони можуть бути дуже гарячими та спричинити опік шкіри.**
  10. **Дотримуйтеся інструкцій виробника щодо правильного встановлення та використання круга.** Поводитися з кругами та зберігати їх необхідно з належною обережністю.
  11. **Не використовуйте окремі перехідні втулки або адаптери для прикріплення шліфувальних кругів з отворами великого діаметра.**
  12. **Використовуйте тільки фланці, призначені для цього інструмента.**
  13. **При використанні інструментів, призначених для встановлення кругів із різьбовим отвором, необхідно, щоб довжина різьби круга відповідала довжині шпінделя.**
  14. **Переверте надійність опори робочої деталі.**
  15. **Пам'ятайте, що круг продовжує обертатися після вимкнення інструмента.**
  16. **У разі високої температури, вологості чи рівня забруднення електропровідним пилом на робочому місці використовуйте автоматичний захисний вимикач (30 мА) для забезпечення безпеки оператора.**
  17. **Не застосовуйте інструмент для роботи з матеріалами, що містять азбест.**
  18. **Якщо використовується відрізний круг, обов'язково застосовуйте пілозахисний кожух круга, який відповідає вимогам місцевих норм.**
  19. **Не можна піддавати різьбні диски боковому тиску.**
  20. **Під час роботи не користуйтеся сукняними робочими рукавицями.** Волокно з сукняних рукавиць може потрапити в інструмент, і це призведе до його поломки.
  21. **Перед початком роботи переконайтеся в тому, що під поверхню робочої зони не проходять лінії електропостачання, водопроводи або газопроводи.** Недотримання цієї вимоги може призвести до враження електричним струмом, витоку струму або газу.

22. Якщо до круга прикріплено прокладку, не знімайте її. Діаметр прокладки повинен перевищувати розміри контррайки, а також зовнішнього й внутрішнього фланця.
23. Перш ніж установлювати шліфувальний круг, обов'язково перевіряйте, чи немає на прокладці якихось пошкоджень типу відколів або тріщин.
24. Затягніть контррайку належним чином. Надмірне затягування круга може призвести до його поломки, а недостатнє затягування може спричинити його вібрацію.

## ЗБЕРІГАЙТЕ ЦІ ВКАЗІВКИ.

**▲ПОПЕРЕДЖЕННЯ:** НИКОЛИ НЕ втрачайте пильності та не розслабляйтеся під час користування виробом (що можливо при частому використанні); обов'язково строго дотримуйтеся відповідних правил безпеки. **НЕНАЛЕЖНЕ ВИКОРИСТАННЯ** або недотримання правил безпеки, викладених у цій інструкції з експлуатації, може призвести до серйозних травм.

## ОПИС РОБОТИ

**▲ОБЕРЕЖНО:** Перед тим як регулювати або перевіряти функціональність інструмента, обов'язково переконайтеся, що інструмент вимкнено й від'єднано від електромережі.

### Замок вала

**▲ПОПЕРЕДЖЕННЯ:** Заборонено використовувати замок вала, коли шпindel обертається. Це може призвести до важких травм або пошкодження інструмента.

Натисніть на замок вала, щоб заблокувати обертання шпінделя під час встановлення або зняття приладдя.

► **Рис.1:** 1. Замок вала

### Дія вмикача

**▲ОБЕРЕЖНО:** Перед тим як підключити інструмент до мережі, обов'язково переконайтеся, що курок вмикача належним чином спрацьовує та повертається в положенні «ВИМК.», коли його відпускають.

**▲ОБЕРЕЖНО:** Обов'язково вимкніть інструмент у разі порушення енергопостачання або випадкового відключення, наприклад від'єднання кабелю живлення. Інакше інструмент може несподівано запрацювати після відновлення живлення, що може призвести до нещасного випадку або травмування.

Залежно від країни існує три варіанти дії вмикача.

► **Рис.2:** 1. Курок вмикача 2. Важіль блокування

## Для інструмента з перемикачем блокування увімкненого положення

*Залежно від країни*

**▲ОБЕРЕЖНО:** Вмикач можна заблокувати в положенні «увімкнено» для зручності оператора у разі тривалого використання. У разі блокування інструмента в положенні «увімкнено» необхідно бути особливо обережним та міцно тримати інструмент.

Для того щоб запустити інструмент, слід просто натиснути на курок вмикача (в напрямку «В»). Щоб зупинити роботу, відпустіть курок вмикача.

Для безперервної роботи слід натиснути на курок вмикача (в напрямку «В»), а потім — на важіль блокування (в напрямку «А»).

Щоб зупинити інструмент із заблокованого положення, слід повністю натиснути на курок вмикача (в напрямку «В»), а потім відпустити його.

## Для інструмента з перемикачем розблокування увімкненого положення

*Залежно від країни (включаючи Австралію та Нову Зеландію)*

Для запобігання випадковому натисканню курка вмикача передбачений важіль блокування.

Щоб запустити інструмент, спочатку слід натиснути на важіль блокування (у напрямку А), а потім натиснути на курок вмикача (в напрямку В). Щоб зупинити роботу, відпустіть курок вмикача.

**УВАГА:** Заборонено натискати із силою на курок вмикача, якщо важіль блокування не натиснуто. Це може призвести до поломки вмикача.

## Для інструмента з перемикачем блокування увімкненого та вимкненого положення

*Залежно від країни*

**▲ОБЕРЕЖНО:** Вмикач можна заблокувати в положенні «увімкнено» для зручності оператора у разі тривалого використання. У разі блокування інструмента в положенні «увімкнено» необхідно бути особливо обережним та міцно тримати інструмент.

Для запобігання випадковому натисканню курка вмикача передбачений важіль блокування.

Щоб запустити інструмент, спочатку слід натиснути на важіль блокування (у напрямку А), а потім натиснути на курок вмикача (у напрямку В). Щоб зупинити роботу, відпустіть курок вмикача.

Для безперервної роботи слід натиснути на важіль блокування (у напрямку А), натиснути на курок вмикача (у напрямку В), а потім знову натиснути на важіль блокування (у напрямку А).

Щоб зупинити інструмент із заблокованого положення, слід повністю натиснути на курок вмикача (в напрямку «В»), а потім відпустити його.

**УВАГА:** Заборонено натискати із силою на курок вмикача, якщо важіль блокування не натиснуто. Це може призвести до поломки вмикача.

## Функція плавного запуску

Тільки для моделі GA7020S / GA9020S

Функція плавного запуску гасить поштовх під час запуску інструмента.

## ЗБОРКА

**⚠ ОБЕРЕЖНО:** Перед виконанням будь-яких робіт з інструментом обов'язково вимкніть його та відключіть від електромережі.

### Встановлення бокової рукоятки (ручки)

**⚠ ОБЕРЕЖНО:** Перед початком роботи необхідно перевірити надійність кріплення бокової рукоятки.

**⚠ ОБЕРЕЖНО:** Ви можете встановити бокову рукоятку в 3 отвори. Установіть бокову рукоятку в один з отворів, виходячи з умов роботи.

Надійно пригвинтіть бокову рукоятку до інструмента, як показано на малюнку.

► Рис.3

### Установлення та зняття захисного кожуха (для круга з заглибленим центром, пелюсткового диска, гнучкого круга, дискової дротяної щітки / абразивного відрізного круга, алмазного диска)

**⚠ ПОПЕРЕДЖЕННЯ:** При використанні круга з заглибленим центром, пелюсткового диска, гнучкого круга або дискової дротяної щітки встановлюйте захисний кожух круга таким чином, щоб закрити сторону кожуха завжди було спрямовано в бік оператора.

**⚠ ПОПЕРЕДЖЕННЯ:** Під час застосування абразивного відрізного круга / алмазного диска обов'язково використовуйте тільки спеціальний захисний кожух круга, призначений для використання з відрізними кругами.

## Для інструмента із захисним кожухом круга зі стопорним гвинтом

Установіть захисний кожух круга, сумістивши виступи на його ободі з виїмками на корпусі підшипника. Потім поверніть захисний кожух круга на такий кут, щоб він захищав оператора відповідно до виконуваних робіт. Надійно затягніть гвинт.

Щоб зняти захисний кожух круга, виконайте процедуру його встановлення у зворотному порядку.

► Рис.4: 1. Захисний кожух круга 2. Корпус підшипника 3. Гвинт

## Для інструмента із захисним кожухом круга із затискним важелем

Відпустіть гайку й потягніть важіль у напрямку, указаному стрілкою.

► Рис.5: 1. Гайка 2. Важіль

Установіть захисний кожух круга, зіставивши виступи на його ободі з пазами на корпусі підшипника. Потім поверніть захисний кожух круга на такий кут, щоб він захищав оператора відповідно до виконуваних робіт.

► Рис.6: 1. Захисний кожух круга 2. Корпус підшипника

► Рис.7: 1. Захисний кожух круга

Надійно затягніть гайку гайковим ключем, а потім поверніть важіль у напрямку, указаному стрілкою, щоб зафіксувати захисний кожух круга. Якщо важіль затягнутий недостатньо або занадто сильно, для фіксації захисного кожуха круга встановіть важіль у відкрите положення та послабте або затягніть гайку гайковим ключем, щоб відрегулювати момент обода захисного кожуха круга.

► Рис.8: 1. Гайка 2. Важіль

Щоб зняти захисний кожух круга, виконайте процедуру його встановлення у зворотному порядку.

## Встановлення або зняття круга з заглибленим центром або пелюсткового диска

### Додаткове приладдя

**⚠ ПОПЕРЕДЖЕННЯ:** При використанні круга з заглибленим центром або пелюсткового диска встановлюйте захисний кожух круга таким чином, щоб закрити сторону кожуха завжди було спрямовано в бік оператора.

**⚠ ПОПЕРЕДЖЕННЯ:** Переконайтеся, що монтажна деталь внутрішнього фланця точно відповідає внутрішньому діаметру круга з заглибленим центром / пелюсткового диска. Встановлення внутрішнього фланця на невідповідному боці може призвести до небезпечної вібрації.

Установіть внутрішній фланець на шпindel. Переконайтеся, що зазублену частину внутрішнього фланця встановлено на пряму частину внизу шпінделя.

Установіть круг / диск на внутрішній фланець і закрутіть контргайку виступом угору.

► Рис.9: 1. Контргайка 2. Круг із заглибленим центром 3. Внутрішній фланець 4. Монтажна деталь

Щоб затягнути контргайку, міцно натисніть на замок вала, щоб шпindel не міг обертатись, а потім за допомогою ключа для контргайки надійно затягніть її за годинниковою стрілкою.

► Рис.10: 1. Ключ для контргайки 2. Замок вала

Щоб зняти круг, виконайте процедуру його встановлення у зворотному порядку.

## Встановлення та зняття гнучкого круга

### Додаткове приладдя

**▲ ПОПЕРЕДЖЕННЯ:** Якщо на інструмент встановлено гнучкий круг, обов'язково використовуйте захисний кожух, що входить до комплекту постачання. Під час використання круг може розколотися, а захисний кожух зменшує ризик травмування.

- **Рис.11:** 1. Контргайка 2. Гнучкий круг  
3. Підкладка 4. Внутрішній фланець

Дотримуйтесь інструкцій щодо використання круга із заглибленим центром, але також використовуйте пластикову підкладку, що встановлюється на круг.

## Встановлення або зняття абразивного диска

### Додаткове приладдя

- **Рис.12:** 1. Контргайка шліфувального диска  
2. Абразивний диск 3. Гумова підкладка

1. Установіть гумову підкладку на шпindelь.
2. Установіть диск на гумову підкладку та накрутіть на шпindelь контргайку шліфувального диска.
3. Утримуйте шпindelь за допомогою замка вала та надійно затягніть контргайку шліфувального диска ключем для контргайки.

Щоб зняти диск, виконайте процедуру встановлення у зворотному порядку.

**ПРИМІТКА:** Використовуйте приладдя для шліфувальної машини, зазначені в цій інструкції. Їх потрібно купувати окремо.

## Суперфланець

### Додаткове приладдя

Суперфланець — це спеціальне приладдя для моделі, яку НЕ оснащено функцією гальмування. До стандартного комплекту моделей з літерою F входить суперфланець. Порівняно зі звичайним типом необхідно втричі менше зусиль, щоб відпустити контргайку.

## Встановлення або зняття гайки Ezynut

### Додаткове приладдя

Тільки для інструментів із різьбою шпindelя M14.

**▲ ОБЕРЕЖНО:** Не використовуйте гайку Ezynut із суперфланцем. Ці фланці настільки товсті, що вся різьба не може бути закрита шпindelем.

Установіть внутрішній фланець, абразивний круг і гайку Ezynut на шпindelь так, щоб логотип Makita на гайці Ezynut був спрямований назовні.

- **Рис.13:** 1. Ezynut 2. Абразивний круг  
3. Внутрішній фланець 4. Шпindelь

Сильно надавіть на замок вала й затягніть гайку Ezynut, повернувши абразивний круг за годинниковою стрілкою до упору.

- **Рис.14:** 1. Замок вала

Щоб відпустити гайку Ezynut, поверніть зовнішнє кільце Ezynut проти годинникової стрілки.

**ПРИМІТКА:** Гайку Ezynut можна відпустити без використання інструментів, якщо стрілка вказує на паз. В іншому разі необхідно скористатися ключом для контргайок. Вставте один зуб ключа в отвір і поверніть гайку Ezynut проти годинникової стрілки.

- **Рис.15:** 1. Стрілка 2. Паз

- **Рис.16**

## Встановлення абразивного відрізного круга / алмазного диска

### Додаткове приладдя

**▲ ПОПЕРЕДЖЕННЯ:** Під час застосування абразивного відрізного круга / алмазного диска обов'язково використовуйте тільки спеціальний захисний кожух круга, призначений для використання з відрізними кругами.

**▲ ПОПЕРЕДЖЕННЯ:** ЗАБОРОНЕНО використовувати відрізнний круг для бокового шліфування.

Установіть внутрішній фланець на шпindelь. Встановіть диск на внутрішній фланець і наверніть контргайку на шпindelь.

- **Рис.17:** 1. Контргайка 2. Абразивний відрізнний круг / алмазний диск 3. Внутрішній фланець 4. Захисний кожух для абразивного відрізного круга / алмазного диска

### Для Австралії та Нової Зеландії

- **Рис.18:** 1. Контргайка 2. Зовнішній фланець 78  
3. Абразивний відрізнний круг / алмазний диск 4. Внутрішній фланець 78  
5. Захисний кожух для абразивного відрізного круга / алмазного диска

## Встановлення чашоподібної дротяної щітки

### Додаткове приладдя

**▲ ОБЕРЕЖНО:** Не використовуйте пошкоджену або розбалансовану щітку. Використання пошкодженої щітки може збільшити ризик травмування через контакт із дротами пошкодженої щітки.

Переверніть інструмент, щоб забезпечити легкий доступ до шпindelя.

Зніміть усе приладдя зі шпindelя. Накрутіть чашоподібну дротяну щітку на шпindelь та затягніть за допомогою ключа, що входить до комплекту постачання.

- **Рис.19:** 1. Чашоподібна дротяна щітка

## Установлення дискової дротяної щітки

### Додаткове приладдя

**⚠ОБЕРЕЖНО:** Не використовуйте пошкоджену або розбалансовану дискову дротяну щітку. Використання пошкодженої дискової дротяної щітки може збільшити ризик травмування через контакт із дротою пошкодженої щітки.

**⚠ОБЕРЕЖНО:** Із дисковою дротяною щіткою **ОБОВ'ЯЗКОВО** використовуйте захисний кожух, який відповідає діаметру диска. Під час використання круг може розколотися, а захисний кожух зменшує ризик травмування.

Переверніть інструмент, щоб забезпечити легкий доступ до шпинделя.

Зніміть усе приладдя зі шпинделя. Накрутіть дискову дротяну щітку на шпиндель та затягніть за допомогою ключів.

► **Рис.20:** 1. Дискова дротяна щітка

## Установлення насадки для прорізання отворів

### Додаткове приладдя

Переверніть інструмент, щоб забезпечити легкий доступ до шпинделя.

Зніміть усе приладдя зі шпинделя. Накрутіть насадку для прорізання отворів на шпиндель і затягніть, використовуючи ключ із комплекту.

► **Рис.21:** 1. Насадка для прорізання отворів

## Установлення пилозахисного кожуха шліфувального круга

Тільки для моделі GA7020S / GA9020S

### Додаткове приладдя

У разі встановлення додаткових аксесуарів цей інструмент можна використовувати для шліфування бетонних поверхонь.

**⚠ОБЕРЕЖНО:** Пилозахисний кожух призначений лише для шліфування бетонних поверхонь за допомогою алмазного диска зі зсувом. Заборонено використовувати цей кожух з іншим приладдям для різання або для інших потреб.

**⚠ОБЕРЕЖНО:** Перед експлуатацією переконайтеся, що пиросос під'єднаний до інструмента та ввімкнений.

Переверніть інструмент і встановіть пилозахисний кожух круга.

Установіть внутрішній фланець на шпиндель.

Установіть чашоподібний алмазний диск на внутрішній фланець і затягніть контргайку на шпинделі.

► **Рис.22:** 1. Контргайка 2. Чашоподібний алмазний диск 3. Чашоподібний алмазний диск із втулкою 4. Внутрішній фланець 5. Пилозахисний кожух круга 6. Корпус підшипника

**ПРИМІТКА:** Інформацію щодо встановлення пилозахисного кожуха круга дивіться в посібнику з використання пилозахисного кожуха круга.

## Установлення пилозахисного кожуха відрізного круга

### Додаткове приладдя

У разі встановлення додаткових аксесуарів цей інструмент можна використовувати для різання кам'яних матеріалів.

► **Рис.23**

**ПРИМІТКА:** Інформацію щодо встановлення пилозахисного кожуха круга дивіться в посібнику з використання пилозахисного кожуха круга.

## Установлення й знімання пилозахисних насадок

### Додаткове приладдя

**⚠ОБЕРЕЖНО:** Перед установленням або зніманням пилозахисної насадки переконайтеся в тому, що інструмент вимкнено, а вилку шнура електроживлення вийнято з розетки. В іншому разі можна пошкодити інструмент або отримати травму.

Установіть пилозахисну насадку в кожне вказане положення.

Докладнішу інформацію можна знайти в посібнику з використання пилозахисної насадки.

**УВАГА:** У разі засмічення пилозахисних насадок пилом або сторонніми речовинами очистьте їх. Продовження експлуатації із засміченими пилозахисними насадками призведе до пошкодження інструмента.

## РОБОТА

**⚠ПОПЕРЕДЖЕННЯ:** Не потрібно прикладати силу до інструмента. Вага інструмента забезпечує достатній тиск. Прикладання сили та надмірний тиск можуть призвести до небезпечної поломки круга.

**⚠ПОПЕРЕДЖЕННЯ:** **ОБОВ'ЯЗКОВО** замініть круг, якщо інструмент впав під час роботи.

**⚠ПОПЕРЕДЖЕННЯ:** у **ЖОДНОМУ РАЗІ** не вдаряйте диском по робочій деталі.

**⚠ПОПЕРЕДЖЕННЯ:** Уникайте відскоків та чіпляння круга, особливо під час обробки кутів, гострих країв тощо. Це може призвести до втрати контролю та віддачі.

**⚠ПОПЕРЕДЖЕННЯ:** **ЗАБОРОНЕНО** використовувати інструмент із ріжучими дисками для деревини та іншими дисками пили. У разі використання на шліфувальних машинах такі диски часто спричиняють віддачу та призводять до втрати контролю та травмування.



**⚠ОБЕРЕЖНО:** Заборонено вмикати інструмент, коли він торкається робочої деталі, оскільки це може призвести до травмування оператора.

**⚠ОБЕРЕЖНО:** Під час роботи обов'язково користуйтеся захисними окулярами або захисним щитком.

**⚠ОБЕРЕЖНО:** Після закінчення роботи обов'язково вимкніть інструмент та зачекайте, поки круг не зупиниться повністю, перш ніж відкладати інструмент.

**⚠ОБЕРЕЖНО:** **ОБОВ'ЯЗКОВО** міцно тримайте інструмент однією рукою за корпус, а другою — за бокову рукоятку (ручку).

**ПРИМІТКА:** Круг подвійного призначення можна використовувати як для шліфування, так і для різання.

Щодо шліфування дивіться розділ «Шліфування абразивним кругом/диском та абразивним папером», а стосовно різання — розділ «Робота з абразивним відрізним кругом / алмазним диском».

## Шліфування абразивним кругом/диском та абразивним папером

### ► Рис.24

Увімкніть інструмент та підведіть круг або диск до робочої деталі.

Взагалі слід підтримувати кут близько 15° між краєм круга або диска та поверхнею деталі.

Під час періоду припрацювання нового круга не можна пересувати шліфувальну машину вперед, інакше вона може врізатися в деталь. Щойно край круга стане обточеним від використання, круг можна буде пересувати як вперед, так і назад.

**Приклад використання:** застосування чашоподібного алмазного диска

### ► Рис.25

Тримайте інструмент горизонтально й притисніть весь чашоподібний алмазний диск до поверхні, що оброблятиметься.

## Робота з абразивним відрізним кругом / алмазним диском

### Додаткове приладдя

**⚠ПОПЕРЕДЖЕННЯ:** Не можна «заклинювати» круг або піддавати його надмірному тиску. Не намагайтеся зробити розріз надмірної глибини. Перенапруження круга збільшує навантаження та здатність до перекошування або застрягання круга у розрізі, а також створює потенційний ризик віддачі, поломки круга та перегрівання двигуна.

**⚠ПОПЕРЕДЖЕННЯ:** Заборонено розпочинати різання, коли круг знаходиться в деталі. Спочатку круг повинен набрати повну швидкість, а потім його слід обережно вести у проріз, пересуваючи інструмент уперед над поверхнею деталі. Якщо інструмент запустити, коли круг знаходиться в робочій деталі, круг може застрягти, сіпнутися або спричинити віддачу.

**⚠ПОПЕРЕДЖЕННЯ:** Під час різання не можна міняти кут нахилу круга. Прикладання бокового тиску до відрізного круга (як під час шліфування) призведе до розтріскування та поломки круга і, як наслідок, до важких травм.

**⚠ПОПЕРЕДЖЕННЯ:** Алмазний диск необхідно прикладати перпендикулярно до робочої поверхні під час роботи.

**Приклад використання:** робота з абразивним відрізним кругом

### ► Рис.26

**Приклад використання:** робота з алмазним диском

### ► Рис.27

## Робота з чашоподібною дротяною щіткою

### Додаткове приладдя

**⚠ОБЕРЕЖНО:** Перевірте роботу щітки, запустивши інструмент у режимі холостого ходу, наперед переконавшись, що перед щіткою або на одній лінії з нею немає людей.

**УВАГА:** Не прикладайте надмірний тиск, від якого дроти можуть сильно погнутися під час використання чашоподібною дротяною щітки. Це може призвести до передчасного виходу з ладу.

**Приклад використання:** робота із чашоподібною дротяною щіткою

### ► Рис.28

## Робота з дисковою д्रोотною щіткою

### Додаткове приладдя

**⚠ ОБЕРЕЖНО:** Перевірте роботу дискової д्रोотної щітки, запустивши інструмент у режимі холостого ходу, попередньо переконавшись, що перед щіткою або на одній лінії з нею немає людей.

**УВАГА:** Не прикладайте надмірний тиск, від якого дроти можуть сильно погнутися під час використання дискової д्रोотної щітки. Це може призвести до передчасного виходу з ладу.

Приклад використання: робота з дисковою д्रोотною щіткою

► Рис.29

## Застосування насадки для прорізання отворів

### Додаткове приладдя

**⚠ ОБЕРЕЖНО:** Перевірте роботу насадки для прорізання отворів, запустивши інструмент у режимі холостого ходу, але перед цим переконайтеся, що перед насадкою для прорізання отворів нікого немає.

**УВАГА:** Не нахилийте інструмент під час роботи. Це може призвести до передчасного виходу з ладу.

Приклад використання: застосування насадки для прорізання отворів

► Рис.30

## ТЕХНІЧНЕ ОБСЛУГОВУВАННЯ

**⚠ ОБЕРЕЖНО:** Перед тим як проводити огляд або технічне обслуговування інструмента, переконайтеся, що його вимкнено і від'єднано від мережі.

**УВАГА:** Ніколи не використовуйте газолін, бензин, розріджувач, спирт та подібні речовини. Їх використання може призвести до зміни кольору, деформації або появи тріщин.

Для забезпечення БЕЗПЕКИ та НАДІЙНОСТІ продукції, її ремонт, а також роботи з обслуговування або регулювання повинні виконуватись уповноваженими або заводськими сервісними центрами Makita із використанням запчастин виробництва компанії Makita.

## Очищення вентиляційних отворів

Необхідно підтримувати чистоту інструмента та його вентиляційних отворів. Очищуйте вентиляційні отвори інструмента регулярно та щоразу, коли вони стають заблокованими.

► Рис.31: 1. Вихідні вентиляційні отвори 2. Вхідні вентиляційні отвори

## Заміна графітових щіток

► Рис.32: 1. Колектор. 2. Ізолюючий наконечник. 3. Графітова щітка.

Якщо полімерний ізолюючий наконечник буде оголеним і торкнеться колектора, двигун буде автоматично вимкнено. У такому разі необхідно замінити обидві графітові щітки. Підтримуйте чистоту графітових щіток та слідкуйте, щоб вони вільно заходили в тримачі. Треба замінювати обидві графітові щітки одночасно. Можна використовувати тільки однакові графітові щітки.

Для виймання ковпачків щіткотримачів користуйтеся викруткою. Зніміть зношені вугільні щітки, вставте нові та закріпіть ковпачки щіткотримачів.

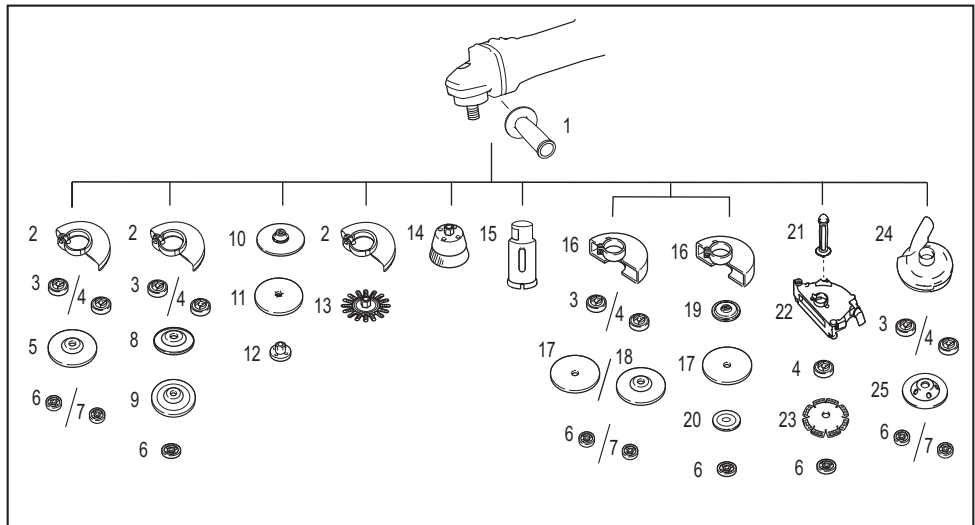
► Рис.33: 1. Ковпачок щіткотримача 2. Викрутка

# ВИБІР ПРИЛАДДА ВІДПОВІДНО ДО ЗАСТОСУВАННЯ

## Додаткове приладдя

**⚠ ОБЕРЕЖНО:** Використання інструмента з невідповідними захисними засобами може призвести до небезпечних ситуацій, наведених нижче.

- Якщо для торцевого шліфування використовується захисний кожух відрізного круга, захисний кожух може заважати обробці, заважаючи контролювати інструмент.
- Якщо для різання використовуються абразивні круги зі зв'язкою й алмазні диски та захисний кожух шліфувального круга, існує підвищений ризик торкання кругів, що обертаються, виділення іскор і частинок, а також ризик відлітання осколків круга в разі його розриву.
- Якщо для торцевого шліфування використовуються чашоподібні алмазні диски із захисним кожухом відрізного круга або захисним кожухом шліфувального круга, захисний кожух може заважати обробці та спричиняти зниження контролю над інструментом.
- У разі використання захисного кожуха відрізного круга або захисного кожуха шліфувального круга з дисковою дротяною щіткою товщиною більше максимального значення товщини, зазначеного в розділі «ТЕХНІЧНІ ХАРАКТЕРИСТИКИ», дроти можуть чіплятися за захисний кожух і відриватися.
- Використання пилозахисних кожухів круга під час різання та торцевого шліфування бетону або кам'яної поверхні зменшує ризик, пов'язаний із впливом пилу.
- У разі використання фланцевих кругів подвійного призначення (комбінованих шліфувальних і відрізних абразивних кругів) застосовуйте лише захисний кожух (відрізного круга).



	Застосування	Модель 180 мм	Модель 230 мм
-			Бокова рукоятка
1	-		Захисний кожух (для шліфувального круга)
2	-		Внутрішній фланець
3	-		Суперфланець *1
4	-		Круг із заглибленим центром / пелюстковий диск
5	Шліфування абразивним кругом / шліфування абразивним папером		
6	-		Контргайка
7	-		Ezynut *1*2
8	-		Підкладка
9	Шліфування абразивним кругом/диском		Гнучкий круг
10	-		Гумова підкладка

	Застосування	Модель 180 мм	Модель 230 мм
11	Шліфування абразивним папером	Абразивний диск	
12	-	Контргайка шліфувального диска	
13	Зачищення металевою щіткою	Дискова дротяна щітка	
14	Зачищення металевою щіткою	Чашоподібна дротяна щітка	
15	Прорізання отворів	Насадка для прорізання отворів	
16	-	Захисний кожух круга (для відрізного круга)	
17	Різання	Абразивний відрізний круг / алмазний диск	
18	Шліфування абразивним кругом / різання	Круг подвійного призначення	-
19	-	Внутрішній фланець 78 (тільки для Австралії та Нової Зеландії) *3	
20	-	Зовнішній фланець 78 (тільки для Австралії та Нової Зеландії) *3	
21	-	Бокова рукоятка пилозахисного кожуха круга *4	
22	-	Пилозахисний кожух відрізного круга *4*5	
23	Різання	Алмазний диск	
24	-	Пилозахисний кожух шліфувального круга *6	
25	Шліфування абразивним кругом/диском	Чашоподібний алмазний диск *6	
-	-	Ключ для контргайки	
-	-	Пилозахисна кришка	

**ПРИМІТКА:** \*1 Не використовуйте суперфланець із гайкою Ezynut.

**ПРИМІТКА:** \*2 Тільки для інструментів із різьбою шпінделя M14.

**ПРИМІТКА:** \*3 Використовуйте внутрішній фланець 78 із зовнішнім фланцем 78. (Тільки для Австралії та Нової Зеландії)

**ПРИМІТКА:** \*4 Використовуйте бокову рукоятку пилозахисного кожуха круга з пилозахисним кожухом відрізного круга.

**ПРИМІТКА:** \*5 Докладнішу інформацію можна знайти в посібнику з використання кожного кожуха.

**ПРИМІТКА:** \*6 Тільки для моделі GA7020S / GA9020S

Докладнішу інформацію можна знайти в посібнику з використання відповідного кожуха.

## ДОДАТКОВЕ ПРИЛАДДЯ

**⚠ОБЕРЕЖНО:** Це додаткове та допоміжне обладнання рекомендовано використовувати з інструментом Makita, зазначеним у цій інструкції з експлуатації. Використання будь-якого іншого додаткового та допоміжного обладнання може становити небезпеку травмування. Використовуйте додаткове та допоміжне обладнання лише за призначенням.

У разі необхідності отримати допомогу в більш детальному ознайомленні з оснащенням звертайтеся до місцевого сервісного центру Makita.

- Приладдя, перелічене в розділі «ВИБІР ПРИЛАДДЯ ВІДПОВІДНО ДО ЗАСТОСУВАННЯ»

**ПРИМІТКА:** Деякі елементи списку можуть входити до комплекту інструмента як стандартне приладдя. Вони можуть відрізнятися залежно від країни.

## SPECIFICAȚII

Model:		GA7020 / GA7020Y	GA7020S	GA7021	GA9020 / GA9020Y	GA9020S
Disc abraziv aplicabil	Diametrul maxim al discului	180 mm			230 mm	
	Grosimea maximă a discului	7,2 mm			6,5 mm	
Disc de retezat aplicabil	Diametrul maxim al discului	180 mm			230 mm	
	Grosimea maximă a discului	4,0 mm			3,2 mm	
Perie de disc din sârmă aplicabilă	Diametrul maxim al discului	150 mm			175 mm	
	Grosimea maximă a discului	20 mm				
Filetul arborelui		M14 sau M16 sau 5/8" (diferă în funcție de țară)				
Lungime maximă arbore		26 mm				
Turație în gol (n <sub>0</sub> ) / Turație nominală (n)		8.500 min <sup>-1</sup>		6.600 min <sup>-1</sup>		
Lungime totală		473 mm				
Greutate netă		5,6 - 7,8 kg	5,7 - 7,9 kg	5,6 - 7,8 kg	5,8 - 7,9 kg	5,8 - 8,0 kg
Clasa de siguranță		□/II				

- Datorită programului nostru continuu de cercetare și dezvoltare, specificațiile pot fi modificate fără o notificare prealabilă.
- Specificațiile pot varia în funcție de țară.
- Greutatea poate diferi în funcție de accesoriu(ii). În tabel se prezintă combinația cea mai ușoară și cea mai grea, conform Procedurii EPTA 01/2014.

## Simboluri

Mai jos sunt prezentate simbolurile care pot fi utilizate pentru echipament. Asigurați-vă că înțelegeți sensul acestora înainte de utilizare.



Citiți manualul de utilizare.



Purtați ochelari de protecție.



Acționați întotdeauna cu ambele mâini.



Nu utilizați apăratărea discului pentru operații de retezare.



IZOLAȚIE DUBLĂ



Doar pentru țările din cadrul UE  
Din cauza prezenței componentelor periculoase în echipament, echipamentul electric și electronic folosit poate avea un efect negativ asupra mediului și sănătății umane. Nu eliminați aparatele electrice și electronice împreună cu gunoii menajeri!

În conformitate cu Directiva europeană privind deșeurile de echipamente electrice și electronice și cu adaptarea sa în legislația națională, echipamentele electrice și electronice folosite trebuie colectate separat și livrate la un centru de colectare separat pentru deșeurile municipale, care respectă reglementările privind protecția mediului.

Acest lucru este indicat prin simbolul care reprezintă o pubeză cu roți barată cu o cruce, aplicat pe echipament.

## Destinația de utilizare

Mașina este destinată polizării, șlefuirii, curățării cu perie de sârmă, găuririi și tăierii materialelor de metal și piatră fără utilizarea apei.

## Sursă de alimentare

Mașina trebuie conectată numai la o sursă de alimentare cu curent alternativ monofazat, cu tensiunea egală cu cea indicată pe plăcuța de identificare a mașinii. Acestea au o izolație dublă și, drept urmare, pot fi utilizate de la prize fără împământare.

## Pentru sisteme publice de distribuție a energiei electrice de joasă tensiune între 220 V și 250 V

Operațiile de comutare ale aparatului electric generează fluctuații ale tensiunii. Funcționarea acestui dispozitiv în condiții de alimentare electrică nefavorabile poate afecta funcționarea altor echipamente. Cu o impedanță a rețelei electrice mai mică de 0,27 Ohmi, se poate presupune că nu vor exista efecte negative. Priza de alimentare folosită pentru acest dispozitiv trebuie să fie protejată cu o siguranță fuzibilă sau un întrerupător de protecție cu caracteristică de declanșare lentă.

### Zgomot

Nivelul de zgomot normal ponderat A determinat în conformitate cu EN62841-2-3:

Model	Nivel de presiune acustică ( $L_{pA}$ ): (dB(A))	Nivel de putere acustică ( $L_{WA}$ ): (dB(A))	Marjă de eroare (K): (dB(A))
GA7020 / GA7020Y	92	100	3
GA7020S	92	100	3
GA7021	92	100	3
GA9020 / GA9020Y	92	100	3
GA9020S	92	100	3

**NOTĂ:** Valoarea (valorile) totală(e) a (ale) emisiilor de zgomot declarate a(u) fost măsurată(e) în conformitate cu o metodă de test standard și poate (pot) fi utilizată(e) pentru compararea unei unelte cu alta.

**NOTĂ:** Valoarea (valorile) totală(e) a (ale) emisiilor de zgomot declarate poate (pot) fi, de asemenea, utilizată(e) într-o evaluare preliminară a expunerii.

**⚠️ AVERTIZARE:** Purtați echipament de protecție pentru urechi.

**⚠️ AVERTIZARE:** Emisiile de zgomot în timpul utilizării efective a unelei electrice poate diferi de valoarea (valorile) nivelului declarat, în funcție de modul în care uneltea este utilizată, în special ce fel de piesă este prelucrată.

**⚠️ AVERTIZARE:** Asigurați-vă că identificați măsurile de siguranță pentru a proteja operatorul, acestea fiind bazate pe o estimare a expunerii în condiții reale de utilizare (luând în considerare toate părțile ciclului de operare, precum timpii în care uneltea a fost oprită, sau a funcționat în gol, pe lângă timpul de declanșare).

**⚠️ AVERTIZARE:** Polizarea foilor subțiri de metal sau a altor structuri ușor vibrante cu o suprafață mare poate avea ca rezultat o emisie totală de zgomot mult mai mare (până la 15 dB) decât valorile emisiilor de zgomot declarate.

Așezați covorașe grele flexibile de amortizare sau alte materiale asemănătoare pe astfel de piese de prelucrat pentru a le împiedica să emită sunete.

Luăți în considerare creșterea emisiilor de zgomot, atât pentru evaluarea riscului expunerii la zgomot, cât și pentru selectarea unui echipament de protecție a auzului adecvat.

### Vibrații

Valoarea totală a vibrațiilor (suma vectorilor tri-axiali) determinată conform EN62841-2-3:

**Mod de lucru: rectificare plană cu mâner lateral normal**

Model	Emisie de vibrații ( $a_{hr,AG}$ ): (m/s <sup>2</sup> )	Marjă de eroare (K): (m/s <sup>2</sup> )
GA7020 / GA7020Y	8,5	1,5
GA7020S	8,5	1,5
GA7021	5,0	1,5
GA9020 / GA9020Y	5,5	1,5
GA9020S	5,5	1,5

## Mod de lucru: rectificare plană cu mâner lateral contra vibrațiilor

Model	Emisie de vibrații ( $a_{hr, AG}$ ): (m/s <sup>2</sup> )	Marjă de eroare (K): (m/s <sup>2</sup> )
GA7020 / GA7020Y	8,0	1,5
GA7020S	8,0	1,5
GA7021	4,5	1,5
GA9020 / GA9020Y	5,5	1,5
GA9020S	5,5	1,5

## Mod de lucru: șlefuire cu disc cu mâner lateral normal

Model	Emisie de vibrații ( $a_{hr, DS}$ ): (m/s <sup>2</sup> )	Marjă de eroare (K): (m/s <sup>2</sup> )
GA7020 / GA7020Y	2,5	1,5
GA7020S	2,5	1,5
GA7021	2,5 m/s <sup>2</sup> sau mai puțin	1,5
GA9020 / GA9020Y	2,5 m/s <sup>2</sup> sau mai puțin	1,5
GA9020S	2,5 m/s <sup>2</sup> sau mai puțin	1,5

## Mod de lucru: șlefuire cu disc cu mâner lateral contra vibrațiilor

Model	Emisie de vibrații ( $a_{hr, DS}$ ): (m/s <sup>2</sup> )	Marjă de eroare (K): (m/s <sup>2</sup> )
GA7020 / GA7020Y	2,5	1,5
GA7020S	2,5	1,5
GA7021	2,5 m/s <sup>2</sup> sau mai puțin	1,5
GA9020 / GA9020Y	2,5 m/s <sup>2</sup> sau mai puțin	1,5
GA9020S	2,5 m/s <sup>2</sup> sau mai puțin	1,5

**NOTĂ:** Valoarea (valorile) totală(e) a (ale) nivelului de vibrații declarat a (au) fost măsurată(e) în conformitate cu o metodă de test standard și poate (pot) fi utilizată(e) pentru compararea unei unelte cu alta.

**NOTĂ:** Valoarea (valorile) totală(e) a (ale) nivelului de vibrații declarat poate (pot) fi, de asemenea, utilizată(e) într-o evaluare preliminară a expunerii.

**⚠️ AVERTIZARE:** Nivelul de vibrații în timpul utilizării efective a unelei electrice poate diferi de valoarea (valorile) nivelului declarat, în funcție de modul în care unealta este utilizată, în special ce fel de piesă este prelucrată.

**⚠️ AVERTIZARE:** Asigurați-vă că identificați măsurile de siguranță pentru a proteja operatorul, acestea fiind bazate pe o estimare a expunerii în condiții reale de utilizare (luând în considerare toate părțile ciclului de operare, precum timpii în care unealta a fost oprită, sau a funcționat în gol, pe lângă timpul de declanșare).

**⚠️ AVERTIZARE:** Nivelul de vibrații declarat este utilizat pentru aplicațiile principale ale mașinii electrice. Totuși, dacă mașina electrică este utilizată pentru alte aplicații, valoarea vibrațiilor emise poate fi diferită.

## Declarație de conformitate CE

### Numai pentru țările europene

Declarația de conformitate CE este inclusă ca Anexa A în acest manual de instrucțiuni.

## AVERTIZĂRI DE SIGURANȚĂ

### Avertismente generale de siguranță pentru mașinile electrice

**⚠️ AVERTIZARE** Citiți toate avertizările privind siguranța, instrucțiunile, ilustrațiile și specificațiile furnizate cu această mașină electrică. Nerespectarea integrală a instrucțiunilor de mai jos poate provoca electrocutări, incendii și/sau accidente grave.

## Păstrați toate avertismentele și instrucțiunile pentru consultări ulterioare.

Termenul „mașină electrică” din avertizări se referă la mașinile dumneavoastră electrice acționate de la rețea (prin cablu) sau cu acumulator (fără cablu).

## Avertismente privind siguranța pentru polizor

Avertismente privind siguranța comune operațiilor de polizare, șlefuire, curățare cu perie de sârmă sau retezare:

1. Această mașină electrică este destinată să funcționeze ca polizor, șlefuitor, perie de sârmă, mașină de găurit sau mașină de retezat. Citiți toate avertizările privind siguranța, instrucțiunile, ilustrațiile și specificațiile furnizate cu această mașină electrică. Nerespectarea integrală a instrucțiunilor de mai jos poate provoca electrocutări, incendii și/sau accidente grave.

2. **Cu această mașină electrică nu se efectuează operații cum ar fi lustruirea.** Operațiile pentru care această mașină electrică nu a fost concepută pot fi periculoase și pot provoca vătămări corporale.
  3. **Nu modificați această mașină electrică pentru a funcționa într-un mod care nu este special conceput și specificat de producătorul mașinii.** O astfel de modificare poate duce la pierderea controlului și poate provoca accidentări grave.
  4. **Nu folosiți accesorii care nu sunt special concepuți și specificați de producătorul mașinii.** Simplul fapt că accesoriul poate fi atașat la mașina dumneavoastră electrică nu asigură funcționarea în condiții de siguranță.
  5. **Turația nominală a accesoriului trebuie să fie cel puțin egală cu turația maximă indicată pe mașina electrică.** Accesoriile utilizate la o turație superioară celei nominale se pot sparge și împrăștia.
  6. **Diametrul exterior și grosimea accesoriului dumneavoastră trebuie să se înscrie în capacitatea nominală a mașinii electrice.** Accesoriile de dimensiuni incorecte nu pot fi protejate sau controlate în mod corespunzător.
  7. **Dimensiunile accesoriului de montat trebuie să corespundă cu dimensiunile uneltelor de montaj ale mașinii electrice.** Accesoriile care nu se potrivesc cu uneltele de montaj ale mașinii electrice vor funcționa dezechilibrat, vor vibra excesiv și pot cauza pierderea controlului.
  8. **Nu utilizați un accesoriu deteriorat. Înaintea fiecărei utilizări inspectați accesoriile, cum ar fi roțile abrazive, în privința sfărâmăturilor și fisurilor, talerele suport în privința fisurilor, rupturii sau uzurii excesive, peria de sârmă în privința firelor slăbite sau plesnite. Dacă scăpați pe jos mașina electrică sau accesoriul, verificați dacă prezintă deteriorări sau instalați un accesoriu intact. După inspectarea și instalarea unui accesoriu, poziționați-vă împreună cu persoanele aflate în zonă, departe de planul accesoriului rotativ și porniți mașina electrică la viteza maximă de mers în gol, timp de un minut. Accesoriile deteriorate se vor sparge în mod normal pe durata acestui test.**
  9. **Purtați echipamentul individual de protecție. În funcție de aplicație, folosiți o mască de protecție, ochelari de protecție tip mască sau ochelari de protecție. Dacă este cazul, purtați o mască de protecție contra prafului, mijloace de protecție a auzului, mănuși și un șorț de lucru care poate opri fragmentele mici abrazive sau fragmentele piesei de prelucrat.** Mijloacele de protecție a ochilor trebuie să fie capabile să oprească resturile proiectate în aer generate de diverse aplicații. Maska de protecție contra prafului sau masca de protecție respiratorie trebuie să poată filtra particulele generate în timpul aplicației respective. Expunerea prelungită la zgomot foarte puternic poate provoca pierderea auzului.
  10. **Țineți persoanele aflate în zonă la o distanță sigură față de zona de lucru. Orice persoană care pătrunde în zona de lucru trebuie să poarte echipament individual de protecție.** Fragmentele piesei prelucrate sau ale unui accesoriu spart pot fi proiectate în jur, cauzând vătămări corporale în zona imediat adiacentă zonei de lucru.
  11. **Țineți mașina electrică doar de suprafețele de prindere izolate atunci când executați o operație în care accesoriul de tăiere poate intra în contact cu cabluri ascunse sau cu propriul cablu.** Accesoriul de tăiere care intră în contact cu un cablu aflat sub tensiune poate pune sub tensiune componentele metalice neizolate ale mașinii electrice și poate supune operatorul la șoc electric.
  12. **Poziționați cablul la distanță de accesoriul aflat în rotație.** Dacă pierdeți controlul, cablul poate fi tăiat sau agățat și mâna sau brațul dumneavoastră poate fi tras(ă) în accesoriul aflat în rotație.
  13. **Nu așezați niciodată mașina electrică înainte de oprirea completă a accesoriului.** Accesoriul aflat în rotație ar putea să prindă suprafața și să tragă de mașina electrică fără ca dumneavoastră să o puteți controla.
  14. **Nu lăsați mașina electrică în funcțiune în timp ce o transportați lângă corpul dumneavoastră.** Contactul accidental cu accesoriul aflat în rotație vă poate agăța îmbrăcămintea, trăgând accesoriul spre corpul dumneavoastră.
  15. **Curațiți în mod regulat fantele de ventilație ale mașinii electrice.** Ventilatorul motorului va aspira praful în interiorul carcasei, iar acumulările excesive de pulberi metalice pot prezenta pericol de electrocutare.
  16. **Nu folosiți mașina electrică în apropierea materialelor inflamabile.** Scânteile pot aprinde aceste materiale.
  17. **Nu folosiți accesorii care necesită agenți de răcire lichizi.** Folosirea apei sau a lichidelor de răcire poate cauza electrocutări sau șocuri de tensiune.
- Recul și avertismentele aferente:**  
Recul este o reacție bruscă la înțepenirea sau agățarea unui disc, a unui taler suport, a unei perii sau a unui alt accesoriu aflat în rotație. Înțepenirea sau agățarea provoacă o oprire bruscă a accesoriului aflat în rotație, ceea ce forțează mașina scăpată de sub control în direcția opusă celei de rotație a accesoriului în punctul de contact. De exemplu, dacă o roată abrazivă se înțepenește sau se agăță în piesa de prelucrat, muchia roții care pătrunde în punctul de blocare poate săpa în suprafața materialului, cauzând urcarea sau proiectarea înapoi a roții. Discul poate sări către utilizator sau în partea opusă acestuia, în funcție de direcția de mișcare a discului în punctul de blocare. De asemenea, roțile abrazive se pot rupe în aceste condiții. Reculul este rezultatul utilizării incorecte a mașinii electrice și/sau al procedurilor sau condițiilor de lucru necorespunzătoare, putând fi evitat prin adoptarea unor măsuri de precauție adecvate prezentate în continuare.
1. **Țineți ferm mașina electrică cu ambele mâini și poziționați-vă corpul și brațele astfel încât să contracarați forțele de recul. Folosiți întotdeauna mânerul auxiliar, dacă există, pentru a contracara în mod optim reculurile sau momentul de torsiune reactiv din faza de pornire.** Operatorul poate contracara momentele de torsiune reactive sau forțele de recul, dacă își ia măsuri de precauție adecvate.
  2. **Nu vă poziționați niciodată mâna în apropierea accesoriului aflat în rotație.** Accesoriul poate recula peste mâna dvs.



3. **Nu vă poziționați corpul în zona în care se va deplasa mașina electrică în direcția unui recul.** Reculul va împinge unealta în direcția opusă rotației discului în punctul de agățare.
4. **Procedați cu deosebită atenție atunci când prelucrați colțuri, muchii ascuțite etc. Evitați agățările și salturile accesoriului.** Colțurile, muchiile ascuțite sau salturile au tendința de a agăța accesoriul aflat în rotație și conduc la pierderea controlului sau la apariția reculerilor.
5. **Nu atășați un lanț de ferăstrău, o pânză pentru scobirea lemnului, un disc diamantat segmentat cu un spațiu periferic mai mare de 10 mm sau o pânză de ferăstrău dîntată.** Astfel de pânze pot crea reculuri frecvente și pierderea controlului.

#### **Avertismente privind siguranța specifică operațiilor de polizare și rețezare:**

1. **Utilizați numai tipurile de discuri specificate pentru mașina dumneavoastră electrică și apărătorile specifice proiectate pentru discul selectat.** Discurile pentru care mașina electrică nu a fost proiectată nu pot fi protejate adecvat și sunt nesigure.
2. **Suprafața de polizare a discurilor cu centrul deasupra trebuie să fie montată sub planul marginii apărătorii.** Un disc montat necorespunzător care iese prin planul marginii apărătoarei nu poate fi protejat în mod adecvat.
3. **Apărătoarea trebuie atașată ferm la mașina electrică și poziționată pentru siguranță maximă, astfel încât cea mai mică porțiune a discului să fie expusă în direcția operatorului.** Apărătoarea ajută la protejarea operatorului de fragmentele discului spart, de contactul accidental cu discul și de scânteele care ar putea aprinde îmbrăcămintea.
4. **Discurile trebuie utilizate numai pentru aplicațiile specificate. De exemplu: nu polizați cu părțile laterale ale discului abraziv de rețezat.** Discurile abrazive de rețezat sunt create pentru șlefuire periferică, iar forțele aplicate pe părțile laterale ale discurilor pot cauza spargerea acestora.
5. **Folosiți întotdeauna flanșe de disc intacte, cu dimensiuni și formă adecvate pentru discul folosit.** Flanșele de disc adecvate susțin discul, reducând astfel posibilitatea de rupere a acestuia. Flanșele pentru discurile abrazive de rețezat pot fi diferite de flanșele discului pentru polizare.
6. **Nu folosiți discuri parțial uzate de la mașini electrice mai mari.** Un disc destinat unei mașini electrice mai mari nu este adecvat pentru viteza mai mare a unei mașini mai mici și se poate sparge.
7. **Pentru discurile cu dublă utilizare, utilizați întotdeauna apărătoarea corectă pentru aplicația efectuată.** Folosirea unei apărătoari incorecte poate să nu ofere nivelul dorit de protecție, ceea ce ar putea duce la vătămări grave.

#### **Avertismente suplimentare privind siguranța specifică operațiilor de rețezare:**

1. **Nu „blocați” discul abraziv de rețezat și nici nu aplicați o presiune excesivă. Nu încercați să efectuați o adâncime excesivă a tăieturii.** Supratensionarea discului mărește sarcina și susceptibilitatea de a torsiona sau de a înțepeni discul în tăietură și posibilitatea de recul sau de spargere a discului.

2. **Nu vă poziționați corpul pe aceeași linie și în spatele discului aflat în rotație.** Atunci când discul, la punctul de operare, se mișcă la distanță de corpul dumneavoastră, reculul posibil poate împinge discul care se învâрте și mașina electrică direct spre dumneavoastră.
3. **Atunci când discul este înțepenit sau când este întrerupt o tăiere din orice motiv, opriți mașina electrică și țineți-o nemișcată până când discul se oprește complet. Nu încercați niciodată să scoateți discul abraziv de rețezat din tăietură în timp ce discul este în mișcare; în caz contrar, poate apărea reculul.** Investigați și efectuați acțiunile corective pentru a elimina cauza înțepenirii discului.
4. **Nu reporniți operația de tăiere în piesa de prelucrat. Lăsați discul să ajungă la viteza maximă și pătrundeți din nou cu atenție în tăietură.** Discul se poate înțepeni, se poate deplasa în sus sau poate provoca un recul dacă mașina electrică este repornită în piesa de prelucrat.
5. **Sprijiți panourile sau orice piesă de prelucrat de dimensiuni mari pentru a reduce la minimum riscul de înțepenire și de recul al discului.** Piesele de prelucrat mari tind să se încovoaie sub propria greutate. Sub piesa de prelucrat trebuie amplasate suporturi lângă linia de tăiere și lângă marginea piesei de prelucrat, pe ambele părți ale discului.
6. **Acordați o atenție sporită atunci când efectuați o „decupare prin plonjare” în pereții existenți sau în alte zone mascate.** Discul poate tăia conducte de gaz sau de apă, cabluri electrice sau obiecte care pot provoca un recul.
7. **Nu încercați să efectuați o tăiere curbată.** Supratensionarea discului mărește sarcina și susceptibilitatea de a torsiona sau de a înțepeni discul în tăietură și posibilitatea de recul sau de spargere a discului, care ar putea duce la accidentări grave.
8. **Înainte de a utiliza un disc diamantat segmentat, asigurați-vă că discul diamantat are un spațiu periferic între segmente de 10 mm sau mai puțin, doar cu un unghi de degajare negativ.**

#### **Avertismente privind siguranța specifică operațiilor de șlefuire:**

1. **Utilizați hârtie de șlefuit de dimensiuni adecvate. Respectați recomandările producătorilor, atunci când selectați hârtia de șlefuit.** Hârtia de șlefuit prea mare extinsă mult în afara plăcuței de șlefuire prezintă pericol de sfâșiere și poate cauza înțepenirea, sfâșierea discului sau reculul.

#### **Avertismente privind siguranța specifică operațiilor de curățare cu peria de sârmă:**

1. **Țineți cont de faptul că firele de sârmă sunt aruncate de perie chiar și în timpul unei operații obișnuite. Nu supratensionați firele prin aplicarea unei sarcini excesive periei.** Firele de sârmă pot penetra ușor îmbrăcămintea subțire și/sau pielea.
2. **Dacă se specifică utilizarea unei apărătoari pentru periere, nu permiteți nicio interferență a discului sau periei din sârmă cu apărătoarea.** Discul sau peria din sârmă își pot mări diametrul din cauza sarcinilor de lucru și a forțelor centrifugale.

#### Avertismente suplimentare privind siguranța:

1. **Atunci când folosiți discuri cu centru adâncit, asigurați-vă că folosiți numai discuri armate cu fibră de sticlă.**
2. **NU UTILIZAȚI NICIODATĂ discuri abrazive în formă de oală cu acest polizor.** Acest polizor nu este conceput pentru aceste tipuri de discuri, iar utilizarea unui astfel de produs poate duce la accidentări grave.
3. **Fiiți atenți să nu deteriorați arborele, flanșa (în special suprafața de montaj) sau contrapiulița.** Deteriorarea acestor piese poate conduce la ruperea discului.
4. **Asigurați-vă că discul nu intră în contact cu piesa de prelucrat înainte de a apăsa comutatorul.**
5. **Înainte de utilizarea mașinii pe piesa propriu-zisă, lăsați-o să funcționeze în gol pentru un timp.** Încercați să identificați orice vibrație sau oscilație care ar putea indica o instalare necorespunzătoare sau un disc neechilibrat.
6. **Folosiți fața specificată a discului pentru a executa polizarea.**
7. **Nu lăsați mașina în funcțiune.** Folosiți mașina numai când o țineți cu mâinile.
8. **Nu atingeți piesa prelucrată imediat după executarea lucrării; aceasta poate fi extrem de fierbinte și poate provoca arsuri ale pielii.**
9. **Nu atingeți accesoriile imediat după executarea lucrării; acestea pot fi extrem de fierbinți și pot provoca arsuri ale pielii.**
10. **Respectați instrucțiunile producătorului cu privire la montarea și utilizarea corectă a discurilor.** Manipulați și depozitați cu atenție discurile.
11. **Nu folosiți reduții cu mufă sau adaptoare separate pentru a adapta roțile abrazive cu gaură mare.**
12. **Folosiți numai flanșele specificate pentru această mașină.**
13. **Pentru mașinile destinate a fi echipate cu disc cu gaură filetată, asigurați-vă că filetul discului este suficient de lung pentru lungimea arborelui.**
14. **Verificați ca piesa de prelucrat să fie sprijinită corect.**
15. **Rețineți că discul continuă să se rotească după oprirea mașinii.**
16. **Dacă locul de muncă este extrem de călduros și umed, sau foarte poluat cu pulbere conductoare, folosiți un întrerupător de scurtcircuitare (30 mA) pentru a asigura protecția utilizatorului.**
17. **Nu folosiți mașina pe materiale care conțin azbest.**
18. **Când folosiți un disc abraziv de retezat, lucrați întotdeauna cu apărătoarea de disc cu colector de praf, dacă este impusă de reglementările naționale.**
19. **Discurile de retezat nu trebuie supuse niciunei presiuni laterale.**
20. **Nu purtați mănuși de lucru din pânză în timpul operației.** Fibrele din mănușile de pânză pot intra în mașină, ducând la blocarea mașinii.
21. **Înainte de utilizare, asigurați-vă că nu există obiecte îngropate în piesa de lucru, cum ar fi țevi electrice, conducte de apă sau gaz.** În caz contrar, se poate produce un șoc electric, o pierdere de energie electrică sau o scurgere de gaze.

22. **Dacă pe disc este atașată o șabă compresibilă, nu o îndepărtați.** Diametrul șabei compresibile trebuie să fie mai mare decât contrapiulița, flanșa exterioară și flanșa interioară.
23. **Înainte de a instala un disc abraziv, verificați întotdeauna ca șaba compresibilă să nu prezinte anomalii, cum ar fi așchii sau crăpături.**
24. **Strângeți corect contrapiulița.** Strângerea excesivă a discului poate provoca ruperea, iar strângerea insuficientă poate provoca trepidatii.

## PĂSTRAȚI ACESTE INSTRUCȚIUNI.

**⚠️AVERTIZARE:** NU permiteți comodității și familiarizării cu produsul (obținute prin utilizare repetată) să înlocuiască respectarea strictă a normelor de securitate pentru acest produs. **FOLOSIREA INCORECTĂ** sau nerespectarea normelor de securitate din acest manual de instrucțiuni poate provoca vătămări corporale grave.

## DESCRIEREA FUNCȚIILOR

**⚠️ATENȚIE:** Asigurați-vă că ați oprit mașina și că ați deconectat-o de la rețea înainte de a o regla sau de a verifica starea sa de funcționare.

### Pârghie de blocare a axului

**⚠️AVERTIZARE:** Nu acționați niciodată pârghia de blocare a axului în timpul mișcării arborelui. Acest lucru poate provoca vătămări grave sau deteriorarea mașinii.

Apăsați pârghia de blocare a axului pentru a preveni rotirea arborelui atunci când montați sau demontați accesoriile.

► Fig. 1: 1. Pârghie de blocare a axului

### Acționarea întrerupătorului

**⚠️ATENȚIE:** Înainte de a conecta mașina la rețea, verificați dacă butonul declanșator funcționează corect și dacă revine la poziția „OFF” (oprit) atunci când este eliberat.

**⚠️ATENȚIE:** Asigurați-vă că opriți mașina în cazul unei pene de curent sau al unei opriri accidentale, cum ar fi scoaterea cablului de alimentare din priză. În caz contrar, mașina va porni în mod neașteptat când se restabilește alimentarea cu electricitate și poate cauza un accident sau vătămări corporale.

Există trei modele de acționare a întrerupătorului, în funcție de țară.

► Fig. 2: 1. Buton declanșator 2. Pârghie de blocare

## Pentru mașinile cu buton de blocare

*Diferă în funcție de țară*

**ATENȚIE:** Comutatorul poate fi blocat în poziția "ON" (pornire) pentru confortul utilizatorului în timpul utilizării prelungite. Acordați atenție atunci când blocați mașina în poziția "ON" (pornire) și țineți mașina ferm.

Pentru a porni mașina, apăsați pur și simplu butonul declanșator (în direcția B). Eliberați butonul declanșator pentru a opri mașina.

Pentru operare continuă, apăsați butonul declanșator (în direcția B) și apoi apăsați pârghia de blocare (în direcția A).

Pentru a opri mașina din poziția blocată, trageți complet butonul declanșator (în direcția B) și apoi eliberați-l.

## Pentru mașinile cu buton de deblocare

*În funcție de țară (inclusiv Australia și Noua Zeelandă)*

Pentru a preveni acționarea accidentală a butonului declanșator este prevăzută o pârghie de blocare. Pentru a porni mașina, apăsați pârghia de blocare (în direcția A) și apoi trageți butonul declanșator (în direcția B). Eliberați butonul declanșator pentru a opri mașina.

**NOTĂ:** Nu trageți tare butonul declanșator fără a apăsa pârghia de blocare. Întrerupătorul se poate rupe.

## Pentru mașinile cu buton de blocare și buton de deblocare

*Diferă în funcție de țară*

**ATENȚIE:** Comutatorul poate fi blocat în poziția "ON" (pornire) pentru confortul utilizatorului în timpul utilizării prelungite. Acordați atenție atunci când blocați mașina în poziția "ON" (pornire) și țineți mașina ferm.

Pentru a preveni acționarea accidentală a butonului declanșator este prevăzută o pârghie de blocare.

Pentru a porni mașina, apăsați pârghia de blocare (în direcția A) și apoi trageți butonul declanșator (în direcția B). Eliberați butonul declanșator pentru a opri mașina. Pentru funcționarea continuă, apăsați pârghia de blocare (în direcția A), trageți butonul declanșator (în direcția B) și apoi împingeți pârghia de blocare (în direcția A). Pentru a opri mașina din poziția blocată, trageți complet butonul declanșator (în direcția B) și apoi eliberați-l.

**NOTĂ:** Nu trageți tare butonul declanșator fără a apăsa pârghia de blocare. Întrerupătorul se poate rupe.

## Funcție de pornire lentă

*Numai pentru modelul GA7020S / GA9020S*

Funcția de pornire lentă atenuază șocul de pornire.

## ASAMBLARE

**ATENȚIE:** Asigurați-vă că ați oprit mașina și că ați deconectat-o de la rețea înainte de a efectua vreodată intervenție asupra mașinii.

## Instalarea mânerului lateral (mâner)

**ATENȚIE:** Asigurați-vă că mânerul lateral este bine fixat înainte de a pune mașina în funcțiune.

**ATENȚIE:** Puteți monta mânerul lateral pe cele 3 orificii. Montați mânerul lateral pe unul dintre orificii, în funcție de operație.

Înșurubați ferm mânerul lateral la mașină în poziția prezentată în figură.

► Fig.3

## Instalarea sau demontarea apărătorii pentru disc (Pentru disc cu centru depresat, disc lamelar, disc flexibil, perie de disc din sârmă/disc abraziv de retezat, disc de diamant)

**AVERTIZARE:** Atunci când utilizați un disc cu centru depresat, un disc lamelar, un disc flexibil sau o perie de disc din sârmă, apărătoarea discului trebuie montată pe mașină astfel încât partea închisă a apărătorii să fie întotdeauna orientată către operator.

**AVERTIZARE:** Atunci când utilizați un disc abraziv pentru retezat/disc de diamant, asigurați-vă că utilizați doar apărătoarele pentru disc proiectate special pentru a fi utilizate împreună cu discuri abrazive de retezat.

## Pentru mașinile cu apărătoare pentru disc cu șurub de blocare

Montați apărătoarea pentru disc cu partea proeminentă pe banda apărătorii pentru disc aliniată cu fantele de pe lagăr. Apoi rotiți apărătoarea discului în așa fel încât să protejeze operatorul în timpul lucrului. Asigurați-vă că ați strâns ferm șurubul.

Pentru a demonta apărătoarea discului, executați în ordine inversă operațiile de montare.

► Fig.4: 1. Apărătoarea discului 2. Lagăr 3. Șurub

## Pentru mașinile cu apărătoare pentru disc cu pârghie de strângere

Slăbiți piulița și apoi trageți pârghia în direcția săgeții.

► Fig.5: 1. Piuliță 2. Pârghie

Montați apărătoarea discului cu partea proeminentă pe banda apărătorii discului aliniată cu fantele de pe lagăr. Apoi rotiți apărătoarea discului în așa fel încât să protejeze operatorul în timpul lucrului.

► Fig.6: 1. Apărătoarea discului 2. Lagăr

► Fig.7: 1. Apărătoarea discului

Strângeți bine piulița folosind o cheie de piulițe, iar apoi închideți pârghia în direcția săgeții pentru a fixa apărătoarea discului. Dacă pârghia este strânsă prea tare sau nu este strânsă bine pentru a fixa apărătoarea discului, deschideți pârghia și apoi slăbiți sau strângeți piulița folosind cheia de piulițe pentru a ajusta nivelul de strângere a benzii apărătoarei discului.

► **Fig.8:** 1. Piuliță 2. Pârghie

Pentru a demonta apărătoarea discului, executați în ordine inversă operațiile de montare.

## Montarea sau demontarea discului cu centru depresat sau discului lamelar

### Accesorii opționale

**⚠️ AVERTIZARE:** Atunci când utilizați un disc cu centru depresat sau un disc lamelar, apărătoarea discului trebuie montată pe mașină astfel încât partea închisă a apărătoarei să fie întotdeauna orientată către operator.

**⚠️ AVERTIZARE:** Asigurați-vă că piesa de montare a flanșei interioare se potrivește perfect în diametrul interior al discului cu centru depresat/discului lamelar. Montarea flanșei interioare pe partea incorectă poate duce la vibrații periculoase.

Montați flanșa interioară pe arbore.

Asigurați-vă că fixați partea crestată a flanșei interioare pe partea dreaptă de la baza arborelui.

Instalați discul pe flanșa interioară și înșurubați contrapiulița cu protuberanța orientată în sus.

► **Fig.9:** 1. Contrapiuliță 2. Disc cu centru depresat 3. Flanșă interioară 4. Piesă de montare

Pentru a strânge contrapiulița, apăsați puternic pârghia de blocare a axului astfel încât arborele să nu se poată roti, apoi folosiți cheia pentru contrapiuliță și strângeți ferm în sens orar.

► **Fig.10:** 1. Cheie pentru contrapiuliță 2. Pârghie de blocare a axului

Pentru a demonta discul, executați în ordine inversă operațiile de montare.

## Montarea sau demontarea discului flexibil

### Accesorii opționale

**⚠️ AVERTIZARE:** Utilizați întotdeauna apărătoarea furnizată când discul flexibil este montat pe mașină. Discul se poate sparge în timpul utilizării, iar apărătoarea ajută la reducerea riscului de vătămare.

► **Fig.11:** 1. Contrapiuliță 2. Disc flexibil 3. Taler suport 4. Flanșă interioară

Urmați instrucțiunile pentru discul cu centru depresat, dar utilizați, de asemenea, un taler suport peste disc.

## Montarea sau demontarea discului abraziv

### Accesorii opționale

► **Fig.12:** 1. Contrapiuliță de presare 2. Disc abraziv 3. Taler de cauciuc

1. Montați talerul de cauciuc pe arbore.
2. Instalați discul pe talerul de cauciuc și înșurubați contrapiulița de presare pe arbore.
3. Fixați arborele cu pârghia de blocare a axului și strângeți fix contrapiulița de presare cu cheia pentru contrapiuliță.

Pentru a demonta discul, executați în ordine inversă operațiile de instalare.

**NOTĂ:** Folosiți accesoriile pentru polizor specificate în acest manual. Acestea trebuie achiziționate separat.

## Flanșă super

### Accesorii opționale

Flanșa super este un accesoriu special pentru modelul care NU este echipat cu funcția de frânare.

Modelele cu litera F sunt dotate standard cu o flanșă super. În comparație cu tipul uzual, este necesar doar 1/3 din efort pentru a desface contrapiulița.

## Instalarea sau scoaterea Ezynt

### Accesorii opționale

**Doar pentru mașini cu filet de arbore M14.**

**⚠️ ATENȚIE:** Nu utilizați Ezynt împreună cu flanșa super. Aceste flanșe sunt atât de groase încât arborele nu poate fixa întregul filet.

Montați flanșa interioară, roata abrazivă și Ezynt pe arbore, astfel încât sigla Makita de pe Ezynt să fie orientată spre exterior.

► **Fig.13:** 1. Ezynt 2. Roată abrazivă 3. Flanșă interioară 4. Arbore

Apăsați ferm pârghia de blocare a axului și strângeți Ezynt rotind roata abrazivă în sens orar până la capăt.

► **Fig.14:** 1. Pârghie de blocare a axului

Pentru a slăbi Ezynt, rotiți inelul exterior al Ezynt în sens antiorar.

**NOTĂ:** Ezynt poate fi slăbit manual atât timp cât săgeata indică spre canelură. În caz contrar, pentru a o slăbi, este necesară o cheie pentru contrapiuliță. Introduceți un știft de la cheia într-o gaură și rotiți Ezynt în sens antiorar.

► **Fig.15:** 1. Săgeată 2. Canelură

► **Fig.16**

## Montarea discului abraziv de retezat/ discului diamantat

### Accesorii opționale

**⚠️ AVERTIZARE:** Atunci când utilizați un disc abraziv pentru retezat/disc de diamant, asigurați-vă că utilizați doar apărătoarele pentru disc proiectate special pentru a fi utilizate împreună cu discuri abrazive de retezat.

**⚠️ AVERTIZARE:** NU utilizați niciodată discul abraziv de retezat la polizarea laterală.

Montați flanșa interioară pe arbore. Instalați discul pe flanșa interioară și înșurubați contrapiulița pe arbore.

- **Fig.17:** 1. Contrapiuliță 2. Disc abraziv de retezat / disc de diamant 3. Flanșă interioară 4. Apărătoare pentru disc abraziv de retezat/disc de diamant

### Pentru Australia și Noua Zeelandă

- **Fig.18:** 1. Contrapiuliță 2. Flanșă exterioară 78 3. Disc abraziv de retezat / disc de diamant 4. Flanșă interioară 78 5. Apărătoare pentru disc abraziv de retezat/disc de diamant

## Montarea periei oală de sârmă

### Accesorii opționale

**⚠️ ATENȚIE:** Nu utilizați o perie care este deteriorată sau neechilibrată. Utilizarea unei perii deteriorate poate crește potențialul de accidentare prin contact cu sârmele periei deteriorate.

Așezați mașina cu susul în jos pentru a permite accesul ușor la arbore.

Îndepărtați orice accesorii de pe arbore. Înfășurați peria oală de sârmă pe arbore și strângeți cu cheia furnizată.

- **Fig.19:** 1. Perie oală de sârmă

## Montarea periei de disc din sârmă

### Accesorii opționale

**⚠️ ATENȚIE:** Nu utilizați o perie de disc din sârmă care este deteriorată sau neechilibrată. Utilizarea unei perii de disc din sârmă deteriorate poate mări pericolul de accidentare prin contact cu sârmele deteriorate.

**⚠️ ATENȚIE:** Protejați-vă ÎNTOTDEAUNA față de periele de disc din sârmă, asigurându-vă că diametrul discului se încadrează în interiorul apărătorii. Discul se poate sparge în timpul utilizării, iar apărătoarea ajută la reducerea riscului de vătămare.

Așezați mașina cu susul în jos pentru a permite accesul ușor la arbore.

Îndepărtați orice accesorii de pe arbore. Înfășurați peria de disc din sârmă pe arbore și strângeți cu cheia furnizată.

- **Fig.20:** 1. Perie de disc din sârmă

## Instalarea mașinii de găurit

### Accesorii opționale

Așezați mașina cu susul în jos pentru a permite accesul ușor la arbore.

Îndepărtați toate accesoriile de pe arbore. Introduceți mașina de găurit pe arbore și strângeți-o cu cheia furnizată.

- **Fig.21:** 1. Mașină de găurit

## Instalarea apărătorii de disc cu colector de praf pentru operațiile de polizare

### Nu mai pentru modelul GA7020S / GA9020S

### Accesorii opționale

Cu accesorii opționale, puteți utiliza această mașină pentru frezarea suprafețelor de beton.

**⚠️ ATENȚIE:** Apărătoarea discului cu colector de praf a discului diamantat cotit este destinată doar frezării suprafețelor de beton cu un disc diamantat cotit. Nu utilizați această apărătoare cu alt accesoriu de tăiere sau în alt scop.

**⚠️ ATENȚIE:** Înainte de utilizare, asigurați-vă că aspiratorul este conectat la mașină și este pornit.

Așezați mașina cu susul în jos și instalați apărătoarea de disc cu colector de praf.

Montați flanșa interioară pe arbore.

Montați discul diamantat tip cupă pe flanșa interioară și strângeți contrapiulița pe arbore.

- **Fig.22:** 1. Contrapiuliță 2. Disc diamantat tip cupă 3. Disc diamantat tip cupă cu butuc 4. Flanșă interioară 5. Apărătoare de disc cu colector de praf 6. Lagăr

**NOTĂ:** Pentru informații referitoare la modalitatea de montare a apărătorii de disc cu colector de praf, consultați manualul apărătorii de disc cu colector de praf.

## Instalarea apărătorii de disc cu colector de praf pentru rețezare

### Accesorii opționale

Cu accesorii opționale, puteți utiliza această mașină pentru tăierea materialelor de piatră.

- **Fig.23**

**NOTĂ:** Pentru informații referitoare la modalitatea de montare a apărătorii de disc cu colector de praf, consultați manualul apărătorii de disc cu colector de praf.

## Montarea sau demontarea capacului accesoriu de protecție contra prafului

### Accesorii opționale

**⚠️ ATENȚIE:** Asigurați-vă întotdeauna că mașina este oprită și deconectată înainte de a monta sau demonta capacul accesoriu de protecție contra prafului. Nerespectarea acestor instrucțiuni duce la deteriorarea mașinii sau la accidentări.

Montați capacul accesoriu de protecție contra prafului în fiecare poziție specificată.

Pentru detalii, consultați manualul de instrucțiuni al capacului accesoriu de protecție contra prafului.

**NOTĂ:** Curățați capacul accesoriu de protecție contra prafului atunci când acesta este ancrasat cu praf sau cu materii străine. Continuarea lucrului cu un capac accesoriu de protecție contra prafului ancrasat va duce la avariarea mașinii.

## OPERAREA

**⚠️ AVERTIZARE:** Nu este niciodată necesară forțarea mașinii. Greutatea mașinii exercită o presiune adecvată. Forțarea și exercitarea unei presiuni excesive pot provoca ruperea periculoasă a discului.

**⚠️ AVERTIZARE:** Înlocuiți ÎNTOTDEAUNA discul dacă scăpați mașina pe jos în timpul rectificării.

**⚠️ AVERTIZARE:** Nu izbiți sau loviți NICIODATĂ discul de piesa prelucrată.

**⚠️ AVERTIZARE:** Evitați izbiturile și salturile discului, în special când prelucrați colțuri, muchii ascuțite etc. Acestea pot provoca pierderea controlului și reculuri.

**⚠️ AVERTIZARE:** Nu folosiți NICIODATĂ mașina cu discuri de tăiat lemne sau alte discuri de ferăstrău. Astfel de discuri folosite cu polizorul pot sări, ducând la pierderea controlului mașinii și la accidentări.

**⚠️ ATENȚIE:** Nu porniți niciodată mașina atunci când aceasta se află în contact cu piesa de prelucrat, deoarece poate vătăma operatorul.

**⚠️ ATENȚIE:** Purtați întotdeauna ochelari de protecție și o mască de protecție în timpul lucrului.

**⚠️ ATENȚIE:** După terminarea operației, opriți întotdeauna mașina și așteptați ca discul să se oprească complet înainte de a așeza mașina.

**⚠️ ATENȚIE:** Țineți ÎNTOTDEAUNA mașina ferm cu o mână pe carcasă și cu cealaltă pe mânerul lateral (mâner).

**NOTĂ:** Discul cu dublă utilizare poate fi utilizat atât pentru operații de polizare, cât și pentru operații de retezare.

Consultați secțiunea „Operația de rectificare și șlefuire” pentru operația de polizare și consultați secțiunea „Funcționarea cu disc abraziv de retezat/disc diamantat” pentru operația de retezare.

## Operația de rectificare și șlefuire

### ► Fig.24

Porniți mașina și apoi aplicați discul pe piesa de prelucrat.

În principiu, mențineți muchia discului la un unghi de circa 15° față de suprafața piesei de prelucrat.

Pe durata perioadei de rodaj a unui disc nou, nu prelucrați cu polizorul pe direcția înainte deoarece aceasta va tăia în piesa de prelucrat. După ce marginea discului a fost rotunjită prin utilizare, discul poate fi utilizat atât în direcția înainte, cât și în direcția înapoi.

**Exemplu de utilizare: utilizare cu disc diamantat tip cupă**

### ► Fig.25

Mențineți mașina în poziție orizontală și aplicați discul diamantat tip cupă pe întreaga suprafață a piesei de prelucrat.

## Operarea cu disc de retezare abraziv/disc de diamant

### Accesorii opționale

**⚠️ AVERTIZARE:** Nu „înțepeni” discul și nici nu aplicați o presiune excesivă. Nu încercați să executați o adâncime excesivă a tăieturii. Supratensionarea discului mărește sarcina și susceptibilitatea de a torsiona sau a de a înțepeni discul în tăietură și posibilitatea de recul, spargerea discului și supraîncălzirea motorului.

**⚠️ AVERTIZARE:** Nu porniți operația de retezare în piesa de prelucrat. Lăsați discul să ajungă la viteza maximă și pătrundeți cu atenție în tăietură prin mutarea sculei spre înainte pe suprafața piesei de prelucrat. Discul se poate înțepeni, se poate deplasa în sus sau poate provoca un recul dacă mașina electrică este repornită în piesa de lucru.

**⚠️ AVERTIZARE:** În timpul operațiilor de retezare, nu schimbați niciodată unghiul discului. Aplicarea unei presiuni laterale asupra discului abraziv de retezat (ca la polizare) va cauza fisurarea și spargerea discului, producând leziuni grave.

**⚠️ AVERTIZARE:** Discul de diamant va fi operat perpendicular pe materialul de tăiat.

**Exemplu de utilizare: utilizare cu discul abraziv de retezat**

### ► Fig.26

**Exemplu de utilizare: utilizare cu discul diamantat**

### ► Fig.27

## Utilizarea cu peria oală de sârmă

### Accesorii opționale

**⚠️ ATENȚIE:** Verificați operarea periei prin rotirea uneltei fără sarcină, asigurându-vă că nu se află nimeni în fața sau în linie cu peria.

**NOTĂ:** Evitați să aplicați o presiune prea mare care ar putea cauza îndoirea firelor la utilizarea periei oală de sârmă. Aceasta poate duce la o rupere timpurie.

Exemplu de utilizare: utilizare cu peria oală de sârmă  
► Fig.28

## Utilizarea cu peria de disc din sârmă

### Accesorii opționale

**⚠️ ATENȚIE:** Verificați operarea periei de disc din sârmă prin rotirea uneltei fără sarcină, asigurându-vă că nu se află nimeni în fața sau în linie cu peria de disc din sârmă.

**NOTĂ:** Evitați să aplicați o presiune prea mare care ar putea cauza îndoirea firelor la utilizarea periei de disc din sârmă. Aceasta poate duce la o rupere timpurie.

Exemplu de utilizare: utilizare cu peria de disc din sârmă  
► Fig.29

## Utilizarea cu mașina de găurit

### Accesorii opționale

**⚠️ ATENȚIE:** Verificați funcționarea mașinii de găurit, lăsând mașina să funcționeze în gol, asigurându-vă că nu se află nimeni în fața mașinii de găurit.

**NOTĂ:** Nu înclinați mașina în timpul funcționării. Aceasta poate duce la defectarea timpurie.

Exemplu de utilizare: utilizarea cu mașina de găurit  
► Fig.30

## ÎNȚREȚINERE

**⚠️ ATENȚIE:** Asigurați-vă că ați oprit mașina și că ați deconectat-o de la rețea înainte de a efectua operațiuni de inspecție sau întreținere.

**NOTĂ:** Nu utilizați niciodată gazolină, benzină, diluant, alcool sau alte substanțe asemănătoare. În caz contrar, pot rezulta decolorări, deformări sau fisuri.

Pentru a menține SIGURANȚA și FIABILITATEA produsului, reparațiile și orice alte lucrări de întreținere sau reglare trebuie executate de centre de service Makita autorizate sau proprii, folosind întotdeauna piese de schimb Makita.

## Curățarea fanțelor de ventilație

Mașina și fanțele sale de ventilație trebuie păstrate curate. Curățați fanțele de ventilație ale mașinii în mod regulat sau ori de câte ori devin îmbăcsite.

► Fig.31: 1. Fantă de evacuare 2. Fantă de aspirație

## Înlocuirea periiilor de cărbune

► Fig.32: 1. Comutator 2. Vârf izolator 3. Perie de cărbune

Atunci când vârful izolator de rășini din interiorul periei de cărbune este expus contactului cu comutatorul, acesta va opri automat motorul. Atunci când se întâmplă acest lucru, ambele perii de cărbune trebuie înlocuite. Periiile de cărbune trebuie să fie în permanență curate și să alunece ușor în suporturi. Ambele perii de cărbune trebuie înlocuite simultan. Folosiți numai perii de cărbune identice.

Folosiți o șurubelniță pentru a demonta capacele suporturilor pentru perii. Scoateți periiile de carbon uzate, introduceți periiile noi și fixați capacele suportului pentru perii.

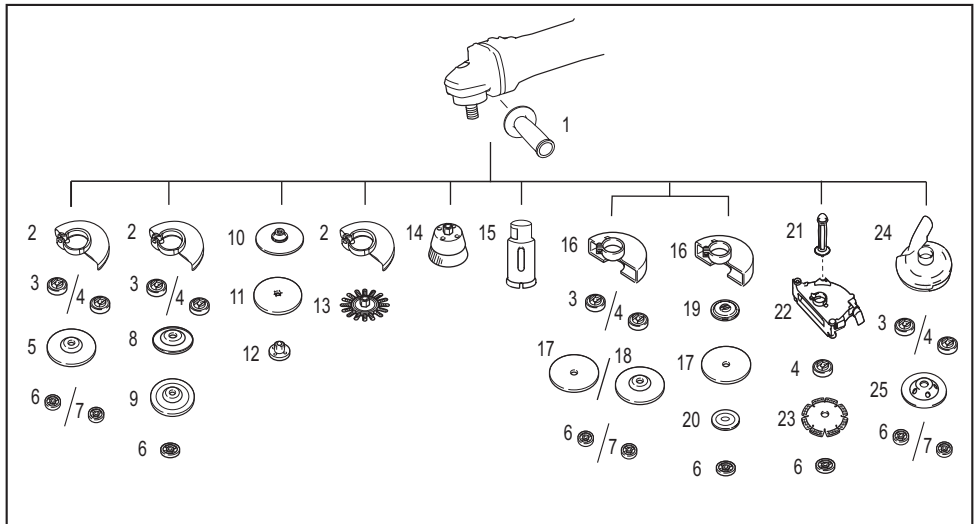
► Fig.33: 1. Capacul suportului pentru perii  
2. Șurubelniță

# COMBINAREA APLICAȚIILOR ȘI A ACCESORIILOR

## Accesorii opțional

**⚠️ ATENȚIE:** Utilizarea mașinii cu apărătoarea incorectă poate cauza unele riscuri după cum urmează.

- Când utilizați o apărătoare a discului abraziv pentru polizarea fețelor, apărătoarea discului poate interfera cu piesa de prelucrat, ducând la pierderea controlului.
- Atunci când se utilizează o apărătoare a discului abraziv pentru operațiile de rețezare cu roți abrazive din material compozit și cu discuri diamantate, există un risc crescut de expunere la roțile aflate în rotație, la scântei și la particule, precum și de expunere la fragmente de roată în cazul spargerii roții.
- Atunci când utilizați o apărătoare a discului abraziv de rețezat sau o apărătoare a discului abraziv pentru operații asupra fețelor cu discuri diamantate tip cupă, apărătoarea poate interfera cu piesa de prelucrat, ducând la pierderea controlului.
- Atunci când utilizați o apărătoare a discului de rețezat sau o apărătoare a discului abraziv împreună cu o perie de disc din sârmă cu o grosime mai mare decât grosimea maximă menționată în „SPECIFICAȚII”, firele se pot prinde în apărătoare, ducând la ruperea firelor.
- Utilizarea apărătoarelor de disc cu colector de praf pentru operații de rețezare și asupra fețelor pentru beton sau zidărie reduce riscul de expunere la praf.
- Când utilizați discuri cu dublă utilizare (pentru operații combinate de polizare și rețezare abrazivă) montate pe flanșă, utilizați numai o apărătoare a discului de rețezat.



-	Aplicație	Model 180 mm	Model 230 mm
1	-	Mâner lateral	
2	-	Apărătoare pentru disc (pentru disc abraziv)	
3	-	Flanșă interioară	
4	-	Flanșă super *1	
5	Polizare / Șlefuire	Disc cu centru depresat/disc lamelar	
6	-	Contrapiuliță	
7	-	Ezynut *1*2	
8	-	Taler suport	
9	Polizare	Disc flexibil	
10	-	Taler de cauciuc	
11	Șlefuire	Disc abraziv	
12	-	Contrapiuliță de presare	
13	Curățare cu perie de sârmă	Perie de disc din sârmă	
14	Curățare cu perie de sârmă	Perie oală de sârmă	



	Aplicație	Model 180 mm	Model 230 mm
15	Găurire	Mașină de găurit	
16	-	Apărătoarea discului (pentru discul abraziv de retezat)	
17	Retezare	Disc abraziv de retezat / disc de diamant	
18	Polizare / Retezare	Disc cu dublă utilizare	-
19	-	Flanșă interioară 78 (doar pentru Australia și Noua Zeelandă) *3	
20	-	Flanșă exterioară 78 (doar pentru Australia și Noua Zeelandă) *3	
21	-	Mâner lateral pentru apărătoarea discului cu colector de praf *4	
22	-	Apărătoare de disc cu colector de praf pentru retezare *4*5	
23	Retezare	Disc diamantat	
24	-	Apărătoarea discului cu colector de praf pentru polizare *6	
25	Polizare	Disc diamantat tip cupă *6	
-	-	Cheie pentru contrapiuliță	
-	-	Capac accesoriu de protecție contra prafului	

**NOTĂ:** \*1 Nu utilizați împreună flanșa super și Ezynut.

**NOTĂ:** \*2 Doar pentru mașini cu filet de arbore M14.

**NOTĂ:** \*3 Utilizați împreună flanșa interioară 78 și flanșa exterioară 78. (Doar Australia și Noua Zeelandă)

**NOTĂ:** \*4 Utilizați mânerul lateral pentru apărătoarea discului cu colector de praf împreună cu apărătoarea discului cu colector de praf pentru retezare.

**NOTĂ:** \*5 Pentru mai multe detalii, consultați fiecare manual de instrucțiuni al apărătorii.

**NOTĂ:** \*6 Numai pentru modelul GA7020S / GA9020S

Pentru mai multe detalii, consultați fiecare manual de instrucțiuni al apărătorii.

## ACCESORII OPȚIONALE

**⚠️ ATENȚIE:** Folosiți accesoriile sau piesele auxiliare recomandate pentru mașina dumneavoastră Makita în acest manual. Utilizarea oricăror alte accesorii sau piese auxiliare poate prezenta risc de vătămare corporală. Utilizați accesoriile și piesele auxiliare numai în scopul destinat.

Dacă aveți nevoie de asistență sau de mai multe detalii referitoare la aceste accesorii, adresați-vă centrului local de service Makita.

- Accesorii prezentate în secțiunea „COMBINAREA APLICAȚIILOR ȘI ACCESORIILOR”

**NOTĂ:** Unele articole din listă pot fi incluse ca accesorii standard în ambalajul de scule. Acestea pot diferi în funcție de țară.






# TECHNISCHE DATEN

Modell:		GA7020 / GA7020Y	GA7020S	GA7021	GA9020 / GA9020Y	GA9020S
Verwendbare Schleifscheibe	Max. Scheibendurchmesser	180 mm			230 mm	
	Max. Scheibendicke	7,2 mm			6,5 mm	
Verwendbare Trennscheibe	Max. Scheibendurchmesser	180 mm			230 mm	
	Max. Scheibendicke	4,0 mm			3,2 mm	
Verwendbare Rotordrahtbürste	Max. Scheibendurchmesser	150 mm			175 mm	
	Max. Scheibendicke	20 mm				
Spindelgewinde		M14 oder M16 oder 5/8" (länderspezifisch)				
Max. Spindellänge		26 mm				
Leerlaufdrehzahl (n <sub>0</sub> ) / Nenndrehzahl (n)		8.500 min <sup>-1</sup>			6.600 min <sup>-1</sup>	
Gesamtlänge		473 mm				
Nettogewicht		5,6 - 7,8 kg	5,7 - 7,9 kg	5,6 - 7,8 kg	5,8 - 7,9 kg	5,8 - 8,0 kg
Sicherheitsklasse		□/II				

- Wir behalten uns vor, Änderungen der technischen Daten im Zuge der Entwicklung und des technischen Fortschritts ohne vorherige Ankündigung vorzunehmen.
- Die technischen Daten können von Land zu Land unterschiedlich sein.
- Das Gewicht kann abhängig von den Aufsätzen unterschiedlich sein. Die leichteste und die schwerste Kombination, gemäß dem EPTA-Verfahren 01/2014, sind in der Tabelle angegeben.

## Symbole

Nachfolgend werden Symbole beschrieben, die für das Gerät verwendet werden können. Machen Sie sich unbedingt vor der Benutzung mit ihrer Bedeutung vertraut.

	Betriebsanleitung lesen.
	Schutzbrille tragen.
	Immer mit beiden Händen betätigen.
	Verwenden Sie die Schutzhaube nicht für Trennschleifarbeiten.
	DOPPELTE ISOLIERUNG



Nur für EU-Länder  
Aufgrund des Vorhandenseins gefährlicher Komponenten in der Ausrüstung können Elektro- und Elektronik-Altgeräte sich negativ auf die Umwelt und die menschliche Gesundheit auswirken. Entsorgen Sie Elektro- und Elektronikgeräte nicht mit dem Hausmüll! In Übereinstimmung mit der Europäischen Richtlinie über Elektro- und Elektronik-Altgeräte und ihrer Anpassung an nationales Recht sollten Elektro- und Elektronik-Altgeräte gemäß den Umweltschutzbestimmungen getrennt gesammelt und zu einer getrennten Sammelstelle für Siedlungsabfälle geliefert werden. Dies wird durch das am Gerät angebrachte Symbol der durchgestrichenen Abfalltonne auf Rädern angezeigt.

## Vorgesehene Verwendung

Das Werkzeug ist für das Schleifen, Schmirgeln, Drahtbürsten, Lochschneiden und Schneiden von Metall- und Steinmaterial ohne den Gebrauch von Wasser vorgesehen.

## Stromversorgung

Das Werkzeug sollte nur an eine Stromquelle angeschlossen werden, deren Spannung mit der Angabe auf dem Typenschild übereinstimmt, und kann nur mit Einphasen-Wechselstrom betrieben werden. Diese sind doppelt schutzisoliert und können daher auch an Steckdosen ohne Erdleiter verwendet werden.

## Für öffentliche Niederspannungs-Verteilungssysteme mit einer Spannung zwischen 220 V und 250 V

Schaltvorgänge von Elektrogeräten verursachen Spannungsschwankungen. Der Betrieb dieses Gerätes unter ungünstigen Netzstrombedingungen kann sich nachteilig auf den Betrieb anderer Geräte auswirken. Bei einer Netzstromimpedanz von 0,27 Ohm oder weniger ist anzunehmen, dass keine negativen Effekte auftreten. Die für dieses Gerät verwendete Netzsteckdose muss durch eine Sicherung oder einen Schutzschalter mit trägen Auslösungseigenschaften geschützt sein.

### Geräusch

Typischer A-bewerteter Geräuschpegel ermittelt gemäß EN62841-2-3:

Modell	Schalldruckpegel ( $L_{pA}$ ): (dB (A))	Schallleistungspegel ( $L_{wA}$ ): (dB (A))	Messunsicherheit (K): (dB (A))
GA7020 / GA7020Y	92	100	3
GA7020S	92	100	3
GA7021	92	100	3
GA9020 / GA9020Y	92	100	3
GA9020S	92	100	3

**HINWEIS:** Der (Die) angegebene(n) Schallemissionswert(e) wurde(n) im Einklang mit der Standardprüfmethode gemessen und kann (können) für den Vergleich zwischen Werkzeugen herangezogen werden.

**HINWEIS:** Der (Die) angegebene(n) Schallemissionswert(e) kann (können) auch für eine Vorbewertung des Gefährdungsgrads verwendet werden.

**⚠️ WARNUNG:** Einen Gehörschutz tragen.

**⚠️ WARNUNG:** Die Schallemission während der tatsächlichen Benutzung des Elektrowerkzeugs kann je nach der Benutzungsweise des Werkzeugs, und speziell je nach der Art des bearbeiteten Werkstücks, von dem (den) angegebenen Wert(en) abweichen.

**⚠️ WARNUNG:** Identifizieren Sie Sicherheitsmaßnahmen zum Schutz des Benutzers anhand einer Schätzung des Gefährdungsgrads unter den tatsächlichen Benutzungsbedingungen (unter Berücksichtigung aller Phasen des Arbeitszyklus, wie z. B. Ausschalt- und Leerlaufzeiten des Werkzeugs zusätzlich zur Betriebszeit).

**⚠️ WARNUNG:** Das Schleifen von dünnen Blechen oder anderen leicht vibrierenden Strukturen mit großer Oberfläche kann zu einer Gesamtgeräuschemission führen, die viel höher ist (bis zu 15 dB) als die angegebenen Geräuschemissionswerte.

Legen Sie schwere, flexible Dämpfungsmatten oder dergleichen auf diese Werkstücke, um zu verhindern, dass sie Schall abgeben.

Berücksichtigen Sie die erhöhte Geräuschemission sowohl bei der Risikobewertung der Geräuschbelastung als auch bei der Auswahl eines geeigneten Gehörschutzes.

### Schwingungen

Schwingungsgesamtwert (Drei-Achsen-Vektorsumme) ermittelt gemäß EN62841-2-3:

**Arbeitsmodus: Oberflächenschleifen mit normalem Seitengriff**

Modell	Vibrationsemission ( $a_{h, AG}$ ): ( $m/s^2$ )	Messunsicherheit (K): ( $m/s^2$ )
GA7020 / GA7020Y	8,5	1,5
GA7020S	8,5	1,5
GA7021	5,0	1,5
GA9020 / GA9020Y	5,5	1,5
GA9020S	5,5	1,5

## Arbeitsmodus: Oberflächenschleifen mit vibrationsfestem Seitengriff

Modell	Vibrationsemission ( $a_{h, AG}$ ): (m/s <sup>2</sup> )	Messunsicherheit (K): (m/s <sup>2</sup> )
GA7020 / GA7020Y	8,0	1,5
GA7020S	8,0	1,5
GA7021	4,5	1,5
GA9020 / GA9020Y	5,5	1,5
GA9020S	5,5	1,5

## Arbeitsmodus: Scheibenschleifen mit normalem Seitengriff

Modell	Vibrationsemission ( $a_{h, DS}$ ): (m/s <sup>2</sup> )	Messunsicherheit (K): (m/s <sup>2</sup> )
GA7020 / GA7020Y	2,5	1,5
GA7020S	2,5	1,5
GA7021	2,5 m/s <sup>2</sup> oder weniger	1,5
GA9020 / GA9020Y	2,5 m/s <sup>2</sup> oder weniger	1,5
GA9020S	2,5 m/s <sup>2</sup> oder weniger	1,5

## Arbeitsmodus: Scheibenschleifen mit vibrationsfestem Seitengriff

Modell	Vibrationsemission ( $a_{h, DS}$ ): (m/s <sup>2</sup> )	Messunsicherheit (K): (m/s <sup>2</sup> )
GA7020 / GA7020Y	2,5	1,5
GA7020S	2,5	1,5
GA7021	2,5 m/s <sup>2</sup> oder weniger	1,5
GA9020 / GA9020Y	2,5 m/s <sup>2</sup> oder weniger	1,5
GA9020S	2,5 m/s <sup>2</sup> oder weniger	1,5

**HINWEIS:** Der (Die) angegebene(n) Vibrationsgesamtwert(e) wurde(n) im Einklang mit der Standardprüfmethode gemessen und kann (können) für den Vergleich zwischen Werkzeugen herangezogen werden.

**HINWEIS:** Der (Die) angegebene(n) Vibrationsgesamtwert(e) kann (können) auch für eine Vorbewertung des Gefährdungsgrads verwendet werden.

**⚠️ WARNUNG:** Die Vibrationsemission während der tatsächlichen Benutzung des Elektrowerkzeugs kann je nach der Benutzungsweise des Werkzeugs, und speziell je nach der Art des bearbeiteten Werkstücks, von dem (den) angegebenen Emissionswert(en) abweichen.

**⚠️ WARNUNG:** Identifizieren Sie Sicherheitsmaßnahmen zum Schutz des Benutzers anhand einer Schätzung des Gefährdungsgrads unter den tatsächlichen Benutzungsbedingungen (unter Berücksichtigung aller Phasen des Arbeitszyklus, wie z. B. Ausschalt- und Leerlaufzeiten des Werkzeugs zusätzlich zur Betriebszeit).

**⚠️ WARNUNG:** Der angegebene Schwingungsemissionswert wird für Hauptanwendungen des Elektrowerkzeugs verwendet. Wird das Elektrowerkzeug jedoch für andere Anwendungen verwendet, kann der Schwingungsemissionswert abweichen.

## EG-Konformitätserklärung

### Nur für europäische Länder

Die EG-Konformitätserklärung ist als Anhang A in dieser Bedienungsanleitung enthalten.

## SICHERHEITSWARNUNGEN

### Allgemeine Sicherheitswarnungen für Elektrowerkzeuge

**⚠️ WARNUNG** Lesen Sie alle Sicherheitshinweise, Anweisungen, Abbildungen und Spezifikationen, die diesem Elektrowerkzeug beiliegen. Eine Missachtung der unten aufgeführten Anweisungen kann zu einem elektrischen Schlag, Brand und/oder schweren Verletzungen führen.

## Bewahren Sie alle Warnungen und Anweisungen für spätere Bezugnahme auf.

Der Ausdruck „Elektrowerkzeug“ in den Warnhinweisen bezieht sich auf Ihr mit Netzstrom (mit Kabel) oder Akku (ohne Kabel) betriebenes Elektrowerkzeug.

## Sicherheitswarnungen für Schleifmaschine

Allgemeine Sicherheitswarnungen für Schleif-, Schmirgel-, Drahtbürsten- oder Trennschleifbetrieb:

1. Dieses Elektrowerkzeug ist für Schleifen, Schmirgeln, Drahtbürsten, Lochschneiden oder Trennschleifen vorgesehen. Lesen Sie alle mit diesem Elektrowerkzeug gelieferten Sicherheitswarnungen, Anweisungen, Abbildungen und technischen Daten durch. Eine Missachtung der unten aufgeführten Anweisungen kann zu einem elektrischen Schlag, Brand und/oder schweren Verletzungen führen.

2. **Arbeiten, wie Polieren, sind mit diesem Elektrowerkzeug nicht durchzuführen.** Benutzungsweisen, für die das Elektrowerkzeug nicht ausgelegt ist, können Gefahren erzeugen und Personenschäden verursachen.
3. **Bauen Sie dieses Elektrowerkzeug nicht so um, dass es auf eine Weise betrieben wird, die nicht speziell vom Werkzeughersteller vorgesehen und angegeben ist.** Ein solcher Umbau kann zum Verlust der Kontrolle führen und schwere Personenschäden verursachen.
4. **Verwenden Sie kein Zubehör, das nicht speziell vom Werkzeughersteller ausgelegt und angegeben ist.** Die bloße Tatsache, dass ein Zubehörteil an Ihrem Elektrowerkzeug angebracht werden kann, gewährleistet noch keinen sicheren Betrieb.
5. **Die Nenndrehzahl des Zubehörteils muss mindestens der am Elektrowerkzeug angegebenen Maximaldrehzahl entsprechen.** Zubehörteile, die schneller als ihre Nenndrehzahl rotieren, können bersten und auseinander fliegen.
6. **Außendurchmesser und Dicke des Zubehörteils müssen innerhalb der Kapazitätsgrenzen Ihres Elektrowerkzeugs liegen.** Zubehörteile der falschen Größe können nicht angemessen geschützt oder kontrolliert werden.
7. **Die Abmessungen der Zubehörfestigung müssen mit den Abmessungen der Befestigungselemente des Elektrowerkzeugs übereinstimmen.** Zubehörteile, die nicht genau auf die Befestigungselemente des Elektrowerkzeugs passen, laufen unruhig, vibrieren übermäßig und können einen Verlust der Kontrolle verursachen.
8. **Verwenden Sie keine beschädigten Zubehörteile.** Überprüfen Sie die Zubehörteile vor jedem Gebrauch: z. B. Schleifscheiben auf Absplittungen und Risse, Schleifteller auf Risse, Brüche oder übermäßigen Verschleiß, Drahtbürsten auf lose oder risige Drähte. Falls das Elektrowerkzeug oder das Zubehörteil herunterfällt, überprüfen Sie es auf Beschädigung, oder montieren Sie ein unbeschädigtes Zubehörteil. Achten Sie nach der Überprüfung und Installation eines Zubehörteils darauf, dass Sie selbst und Umstehende nicht in der Rotationsebene des Zubehörteils stehen, und lassen Sie das Elektrowerkzeug eine Minute lang mit maximaler Leerlaufdrehzahl laufen. Ein beschädigtes Zubehörteil bricht normalerweise während dieses Probelaufs auseinander.
9. **Tragen Sie persönliche Schutzausrüstung. Benutzen Sie je nach der Arbeit einen Gesichtsschutz bzw. eine Sicherheits- oder Schutzbrille. Tragen Sie bei Bedarf eine Staubmaske, Ohrenschützer, Handschuhe und eine Arbeitsschürze, die in der Lage ist, kleine Schleifpartikel oder Werkstücksplitter abzuwehren.** Der Augenschutz muss in der Lage sein, den bei verschiedenen Anwendungen anfallenden Flugstaub abzuwehren. Die Staubmaske oder Atemschutzmaske muss in der Lage sein, durch die spezielle Anwendung erzeugte Partikel herauszufiltern. Länger andauernde starke Lärmbelastung kann zu Gehörschäden führen.
10. **Halten Sie Umstehende in sicherem Abstand vom Arbeitsbereich.** Jeder, der den Arbeitsbereich betritt, muss persönliche Schutzausrüstung tragen. Bruchstücke des Werkstücks oder eines beschädigten Zubehörteils können weggeschleudert werden und Verletzungen über den unmittelbaren Arbeitsbereich hinaus verursachen.
11. **Halten Sie das Elektrowerkzeug nur an den isolierten Griffflächen, wenn Sie Arbeiten ausführen, bei denen die Gefahr besteht, dass das Schneidzubehör verborgene Kabel oder das eigene Kabel kontaktiert.** Wenn das Schneidzubehör ein Strom führendes Kabel kontaktiert, können die freiliegenden Metallteile des Elektrowerkzeugs ebenfalls Strom führend werden, so dass der Benutzer einen elektrischen Schlag erleiden kann.
12. **Halten Sie das Kabel vom rotierenden Zubehörteil fern.** Falls Sie die Kontrolle verlieren, kann das Kabel durchgetrennt oder erfasst werden, so dass Ihre Hand oder Ihr Arm in das rotierende Zubehörteil hineingezogen wird.
13. **Legen Sie das Elektrowerkzeug erst ab, nachdem das Zubehörteil zum vollständigen Stillstand gekommen ist.** Anderenfalls kann das rotierende Zubehörteil die Oberfläche erfassen und das Elektrowerkzeug aus Ihren Händen reißen.
14. **Lassen Sie das Elektrowerkzeug nicht laufen, während Sie es an Ihrer Seite tragen.** Das rotierende Zubehörteil könnte sonst bei versehentlichem Kontakt Ihre Kleidung erfassen und auf Ihren Körper zu gezogen werden.
15. **Reinigen Sie die Ventilationsöffnungen des Elektrowerkzeugs regelmäßig.** Der Lüfter des Motors saugt Staub in das Gehäuse an, und starke Ablagerungen von Metallstaub können elektrische Gefahren verursachen.
16. **Betreiben Sie das Elektrowerkzeug nicht in der Nähe von brennbaren Materialien.** Funken könnten diese Materialien entzünden.
17. **Verwenden Sie keine Zubehörteile, die Kühlflüssigkeiten erfordern.** Die Verwendung von Wasser oder anderen Kühlflüssigkeiten kann zu Elektroschock oder Tod durch Stromschlag führen.

#### **Warnungen vor Rückschlag und damit zusammenhängenden Gefahren:**

Ein Rückschlag ist eine plötzliche Reaktion auf Klemmen oder Hängenbleiben der Schleifscheibe, des Schleiftellers, der Drahtbürste oder eines anderen Zubehörteils. Klemmen oder Hängenbleiben verursacht sofortiges Stocken des rotierenden Zubehörteils, was wiederum dazu führt, dass das außer Kontrolle geratene Elektrowerkzeug am Stockpunkt in die zur Drehrichtung des Zubehörs entgegengesetzte Richtung geschleudert wird. Wenn beispielsweise eine Schleifscheibe vom Werkstück erfasst oder eingeklemmt wird, kann sich die in den Klemmpunkt eindringende Schleifscheibenkante in die Materialoberfläche bohren, so dass sie herausspringt oder zurückschlägt. Je nach der Drehrichtung der Schleifscheibe am Klemmpunkt kann die Schleifscheibe auf die Bedienungsperson zu oder von ihr weg springen. Schleifscheiben können unter solchen Bedingungen auch brechen. Rückschlag ist das Resultat falscher Handhabung des Elektrowerkzeugs und/oder falscher Arbeitsverfahren oder -bedingungen und kann durch Anwendung der nachstehenden Vorsichtsmaßnahmen vermieden werden.

1. **Halten Sie das Elektrowerkzeug mit beiden Händen fest, und positionieren Sie Ihren Körper und Ihre Arme so, dass Sie die Rückschlagkräfte auffangen können. Benutzen Sie stets den Zusatzgriff, wenn vorhanden, um maximale Kontrolle über Rückschlag oder Drehbewegungen während des Anlaufs zu haben.** Drehbewegungen oder Rückschlagkräfte können kontrolliert werden, wenn entsprechende Vorkehrungen getroffen werden.
2. **Legen Sie Ihre Hand niemals in die Nähe des rotierenden Zubehörtails.** Bei einem Rückschlag könnte das Zubehörtail Ihre Hand verletzen.
3. **Stellen Sie sich nicht in den Bereich, in den das Elektrowerkzeug bei Auftreten eines Rückschlags geschleudert wird.** Der Rückschlag schleudert das Werkzeug am Stockpunkt in die entgegengesetzte Drehrichtung der Schleifscheibe.
4. **Lassen Sie bei der Bearbeitung von Ecken, scharfen Kanten usw. besondere Vorsicht walten. Vermeiden Sie Prellen und Hängenbleiben des Zubehörs.** Ecken, scharfe Kanten oder Prellen führen leicht zu Hängenbleiben des rotierenden Zubehörtails und verursachen Verlust der Kontrolle oder Rückschlag.
5. **Bringen Sie keine Sägeketten, Holzfräsen, Segment-Diamantscheiben mit einem Randspalt von mehr als 10 mm oder gezahnte Sägeblätter an.** Solche Zubehörtteile verursachen häufige Rückschläge und Verlust der Kontrolle.

#### **Sicherheitswarnungen speziell für Schleif- und Trennschleifbetrieb:**

1. **Verwenden Sie nur Schleifscheiben, die für Ihr Elektrowerkzeug angegeben sind, und die für die ausgewählte Schleifscheibe vorgesehene Schutzhaube.** Schleifscheiben, die nicht für das Elektrowerkzeug geeignet sind, können nicht angemessen abgeschirmt werden und sind unsicher.
2. **Die Schleiffläche von gekröpften Trennschleifscheiben muss unterhalb der Ebene der Schutzlippe montiert werden.** Eine falsch montierte Schleifscheibe, die über die Ebene der Schutzlippe hinausragt, kann nicht angemessen geschützt werden.
3. **Die Schutzhaube muss sicher am Elektrowerkzeug befestigt und für maximale Sicherheit positioniert werden, um den auf die Bedienungsperson gerichteten Schleifscheibenbetrag minimal zu halten.** Die Schutzhaube schützt den Bediener vor Schleifscheiben-Bruchstücken, versehentlichem Kontakt mit der Schleifscheibe und Funken, welche die Kleidung in Brand setzen könnten.
4. **Schleifscheiben dürfen nur für angegebene Anwendungen verwendet werden. Zum Beispiel: Nicht mit der Seite einer Trennscheibe schleifen.** Trennschleifscheiben sind für Peripherieschleifen vorgesehen. Falls seitliche Kräfte auf diese Scheiben einwirken, können sie zerbrechen.
5. **Verwenden Sie stets unbeschädigte Scheibenflansche der korrekten Größe und Form für die ausgewählte Schleifscheibe.** Korrekte Scheibenflansche stützen die Schleifscheibe und reduzieren somit die Möglichkeit eines Scheibenbruchs. Flansche für Trennscheiben können sich von solchen für Schleifscheiben unterscheiden.
6. **Verwenden Sie keine abgenutzten Schleifscheiben von größeren Elektrowerkzeugen.** Eine Schleifscheibe, die für größere Elektrowerkzeuge vorgesehen ist, eignet sich nicht für die höhere Drehzahl eines kleineren Werkzeugs und kann bersten.
7. **Wenn Sie Schleifscheiben mit doppeltem Verwendungszweck einsetzen, benutzen Sie immer die richtige Schutzhaube für die jeweilige Anwendung.** Wenn Sie nicht die richtige Schutzhaube benutzen, kann es sein, dass der gewünschte Schutzgrad nicht erreicht wird, was zu schweren Verletzungen führen kann.

#### **Zusätzliche Sicherheitswarnungen speziell für Trennschleifbetrieb:**

1. **Vermeiden Sie „Verkanten“ der Trennscheibe oder die Ausübung übermäßigen Drucks. Versuchen Sie nicht, übermäßig tiefe Schnitte zu machen.** Überbeanspruchung der Schleifscheibe erhöht die Belastung und die Empfänglichkeit für Verdrehen oder Klemmen der Schleifscheibe im Schnitt sowie die Möglichkeit von Rückschlag oder Scheibenbruch.
2. **Stellen Sie sich nicht so, dass sich Ihr Körper in einer Linie mit der rotierenden Schleifscheibe oder hinter dieser befindet.** Wenn sich die Schleifscheibe am Arbeitspunkt von Ihrem Körper weg bewegt, kann ein möglicher Rückschlag die rotierende Schleifscheibe und das Elektrowerkzeug direkt auf Sie zu schleudern.
3. **Falls die Trennscheibe klemmt oder der Schnitt aus irgendeinem Grund unterbrochen wird, schalten Sie das Elektrowerkzeug aus und halten Sie es bewegungslos im Werkstück, bis die Trennscheibe zum völligen Stillstand kommt. Versuchen Sie auf keinen Fall, die rotierende Trennscheibe aus dem Schnitt zu entfernen, weil sonst ein Rückschlag auftreten kann.** Nehmen Sie eine Überprüfung vor, und treffen Sie Abhilfemaßnahmen, um die Ursache von Trennscheiben-Klemmen zu beseitigen.
4. **Setzen Sie den Schnittbetrieb nicht mit im Werkstück sitzender Trennscheibe fort. Führen Sie die Trennscheibe vorsichtig in den Schnitt ein, nachdem sie die volle Drehzahl erreicht hat.** Wird das Elektrowerkzeug mit im Werkstück sitzender Trennscheibe eingeschaltet, kann die Trennscheibe klemmen, hochsteigen oder zurückschlagen.
5. **Stützen Sie Platten oder andere übergroße Werkstücke ab, um die Gefahr von Klemmen oder Rückschlag der Trennscheibe zu minimieren.** Große Werkstücke neigen dazu, unter ihrem Eigengewicht durchzuhängen. Die Stützen müssen nahe der Schnittlinie und in der Nähe der Werkstückkante beidseitig der Trennscheibe unter das Werkstück platziert werden.
6. **Lassen Sie besondere Vorsicht walten, wenn Sie einen „Taschenschnitt“ in bestehende Wände oder andere Blindflächen durchführen.** Die vorstehende Trennscheibe kann Gas- oder Wasserleitungen, Stromkabel oder Objekte durchschneiden, die Rückschlag verursachen können.
7. **Versuchen Sie nicht, bogenförmig zu schneiden.** Überbeanspruchung der Schleifscheibe erhöht die Belastung und die Empfänglichkeit für Verdrehen oder Klemmen der Schleifscheibe im Schnitt sowie die Möglichkeit von Rückschlag oder Scheibenbruch, was zu schweren Verletzungen führen kann.

8. **Bevor Sie eine Segment-Diamantscheibe verwenden, vergewissern Sie sich, dass die Diamantscheibe einen Randspalt zwischen den Segmenten von maximal 10 mm hat, und nur einen negativen Spanwinkel aufweist.**

**Sicherheitswarnungen speziell für Schmirgelbetrieb:**

1. **Verwenden Sie Schleifpapierscheiben der richtigen Größe. Befolgen Sie die Herstellerempfehlungen bei der Wahl des Schleifpapiers.** Größeres Schleifpapier, das zu weit über den Schleifteller hinausragt, stellt eine Gefahr für Schnitwunden dar und kann Hängenbleiben oder Zerreißen der Schleifscheibe oder Rückschlag verursachen.

**Sicherheitswarnungen speziell für Drahtbürstenbetrieb:**

1. **Beachten Sie, dass Drahtborsten auch bei normalem Betrieb von der Drahtbürste herausgeschleudert werden. Überbeanspruchen Sie die Drähte nicht durch Ausübung übermäßigen Drucks auf die Drahtbürste.** Die Drahtborsten können ohne weiteres leichte Kleidung und/oder Haut durchdringen.
2. **Wenn der Einsatz einer Schutzhaube für Drahtbürsten angegeben ist, achten Sie darauf, dass die Drahtscheibe oder die Drahtbürste nicht mit der Schutzhaube in Berührung kommt.** Der Durchmesser der Drahtscheibe oder Drahtbürste kann sich aufgrund der Arbeitslast und der Fliehkräfte vergrößern.

**Zusätzliche Sicherheitswarnungen:**

1. **Verwenden Sie nur glasfaserverstärkte Scheiben als gekröpfte Trennschleifscheiben.**
2. **Verwenden Sie NIEMALS Stein-Topschleifscheiben mit dieser Schleifmaschine.** Diese Schleifmaschine ist nicht für derartige Schleifscheiben ausgelegt, und der Gebrauch eines solchen Produkts kann zu schweren Personenschäden führen.
3. **Achten Sie sorgfältig darauf, dass Spindel, Flansch (insbesondere die Ansatzfläche) und Sicherungsmutter nicht beschädigt werden. Eine Beschädigung dieser Teile kann zu einem Scheibenbruch führen.**
4. **Vergewissern Sie sich vor dem Einschalten des Werkzeugs, dass die Schleifscheibe nicht das Werkstück berührt.**
5. **Lassen Sie das Werkzeug vor der eigentlichen Bearbeitung eines Werkstücks eine Weile laufen. Achten Sie auf Vibrationen oder Taumelbewegungen, die Anzeichen für schlechte Montage oder eine schlecht ausgewuchtete Schleifscheibe sein können.**
6. **Verwenden Sie nur die vorgeschriebene Fläche der Schleifscheibe für Schleifarbeiten.**
7. **Lassen Sie das Werkzeug nicht unbeaufsichtigt laufen. Benutzen Sie das Werkzeug nur im handgeführten Einsatz.**
8. **Vermeiden Sie eine Berührung des Werkstücks unmittelbar nach der Bearbeitung, weil es dann noch sehr heiß ist und Hautverbrennungen verursachen kann.**
9. **Vermeiden Sie eine Berührung von Zubehörteilen unmittelbar nach der Bearbeitung, weil sie dann noch sehr heiß sind und Hautverbrennungen verursachen können.**

10. **Befolgen Sie die Anweisungen des Herstellers für korrekte Montage und Verwendung von Schleifscheiben. Behandeln und lagern Sie Schleifscheiben mit Sorgfalt.**
11. **Verwenden Sie keine getrennten Reduzierbuchsen oder Adapter zur Anpassung von Schleifscheiben mit großem Lochdurchmesser.**
12. **Verwenden Sie nur die für dieses Werkzeug vorgeschriebenen Flansche.**
13. **Wenn eine Trennscheibe mit Gewindebohrung am Werkzeug montiert werden soll, achten Sie darauf, dass ihr Gewinde tief genug für die Spindellänge ist.**
14. **Vergewissern Sie sich, dass das Werkstück sicher abgestützt ist.**
15. **Beachten Sie, dass sich die Schleifscheibe nach dem Ausschalten des Werkzeugs noch weiterdreht.**
16. **Falls der Arbeitsplatz sehr heiß, feucht oder durch leitfähigen Staub stark verschmutzt ist, verwenden Sie einen Kurzschlusschalter (30 mA) zum Schutz des Bedieners.**
17. **Verwenden Sie dieses Werkzeug nicht zur Bearbeitung von asbesthaltigen Materialien.**
18. **Arbeiten Sie bei Verwendung der Trennscheibe immer mit der Staubabsaughaube, falls dies durch nationale Vorschriften gefordert wird.**
19. **Schneidscheiben dürfen keinem seitlichen Druck ausgesetzt werden.**
20. **Verwenden Sie keine Arbeitshandschuhe aus Stoff während der Arbeit.** Fasern von Stoffhandschuhen können in das Werkzeug gelangen, was zu einer Beschädigung des Werkzeugs führen kann.
21. **Vergewissern Sie sich vor der Arbeit, dass sich keine verborgenen Objekte, wie etwa eine elektrische Leitung, ein Wasserrohr oder ein Gasrohr, im Werkstück befinden.** Anderenfalls kann es zu einem elektrischen Schlag, Leckstrom oder Gasleck kommen.
22. **Falls eine Zwischenlage an der Scheibe befestigt ist, darf sie nicht entfernt werden. Der Durchmesser der Zwischenlage muss größer sein als die Sicherungsmutter, der Außenflansch und der Innenflansch.**
23. **Stellen Sie vor dem Installieren einer Schleifscheibe immer sicher, dass der Zwischenlagenteil keine Anomalien wie Späne oder Risse aufweist.**
24. **Ziehen Sie die Sicherungsmutter ordnungsgemäß fest. Zu starkes Anziehen der Scheibe kann zu einem Bruch führen, während zu geringes Anziehen Flattern verursachen kann.**

## **BEWAHREN SIE DIESE ANLEITUNG AUF.**

**⚠️ WARNUNG:** Lassen Sie sich NICHT durch Bequemlichkeit oder Vertrautheit mit dem Produkt (durch wiederholten Gebrauch erworben) von der strikten Einhaltung der Sicherheitsregeln für das vorliegende Produkt abhalten. MISSBRAUCH oder Missachtung der Sicherheitsvorschriften in dieser Anleitung können schwere Personenschäden verursachen.

# FUNKTIONSBE- SCHREIBUNG

**⚠ VORSICHT:** Vergewissern Sie sich vor jeder Einstellung oder Funktionsprüfung des Werkzeugs stets, dass es ausgeschaltet und vom Stromnetz getrennt ist.

## Spindelarretierung

**⚠ WARNUNG:** Betätigen Sie die Spindelarretierung niemals bei rotierender Spindel. Dies kann schwere Verletzungen oder eine Beschädigung des Werkzeugs verursachen.

Drücken Sie die Spindelarretierung, um die Spindel zum Montieren oder Demontieren von Zubehör zu blockieren.

► **Abb.1:** 1. Spindelarretierung

## Schalterfunktion

**⚠ VORSICHT:** Vergewissern Sie sich vor dem Anschließen des Werkzeugs an das Stromnetz stets, dass der Ein-Aus-Schalter ordnungsgemäß funktioniert und beim Loslassen in die AUS-Stellung zurückkehrt.

**⚠ VORSICHT:** Schalten Sie im Falle eines Stromausfalls oder bei versehentlicher Abschaltung, z. B. durch Abziehen des Netzkabels, unbedingt das Werkzeug aus. Anderenfalls kann das Werkzeug bei Wiederherstellung der Stromversorgung plötzlich anlaufen und einen Unfall oder Personenschäden verursachen.

Je nach Land gibt es drei Muster für die Schalterfunktion.

► **Abb.2:** 1. Ein-Aus-Schalter 2. Verriegelungshebel

## Für Maschine mit Ausschaltperre

*Länderspezifisch*

**⚠ VORSICHT:** Der Schalter kann zur Arbeitserleichterung bei längerem Einsatz in der EIN-Stellung verriegelt werden. Lassen Sie Vorsicht walten, wenn Sie den Schalter in der EIN-Stellung verriegeln, und halten Sie das Werkzeug mit festem Griff.

Zum Einschalten des Werkzeugs einfach den Ein-Aus-Schalter (in Richtung B) drücken. Zum Anhalten den Ein-Aus-Schalter loslassen.

Für Dauerbetrieb den Ein-Aus-Schalter betätigen (in Richtung B), und dann den Verriegelungshebel hineindrücken (in Richtung A).

Zum Ausrasten der Sperre den Ein-Aus-Schalter bis zum Anschlag hineindrücken (in Richtung B) und dann loslassen.

## Für Werkzeug mit Einschaltperre

*Länderspezifisch (einschließlich Australien und Neuseeland)*

Um versehentliche Betätigung des Ein-Aus-Schalters zu verhüten, ist das Werkzeug mit einem Verriegelungshebel ausgestattet.

Zum Einschalten des Werkzeugs muss erst der Verriegelungshebel (in Richtung A) hineingedrückt werden, bevor der Ein-Aus-Schalter betätigt werden kann (in Richtung B). Zum Anhalten den Ein-Aus-Schalter loslassen.

**ANMERKUNG:** Betätigen Sie den Auslöseschalter nicht gewaltsam, ohne den Verriegelungshebel zu drücken. Dies kann zu Beschädigung des Schalters führen.

## Für Werkzeug mit Ein- und Ausschaltperre

*Länderspezifisch*

**⚠ VORSICHT:** Der Schalter kann zur Arbeitserleichterung bei längerem Einsatz in der EIN-Stellung verriegelt werden. Lassen Sie Vorsicht walten, wenn Sie den Schalter in der EIN-Stellung verriegeln, und halten Sie das Werkzeug mit festem Griff.

Um versehentliche Betätigung des Ein-Aus-Schalters zu verhüten, ist das Werkzeug mit einem Verriegelungshebel ausgestattet.

Zum Einschalten des Werkzeugs muss erst der Verriegelungshebel (in Richtung A) hineingedrückt werden, bevor der Ein-Aus-Schalter betätigt werden kann (in Richtung B). Zum Anhalten den Ein-Aus-Schalter loslassen.

Für Dauerbetrieb den Verriegelungshebel hineindrücken (in Richtung A), den Auslöseschalter betätigen (in Richtung B), und dann den Verriegelungshebel weiter hineindrücken (in Richtung A).

Zum Ausrasten der Sperre den Ein-Aus-Schalter bis zum Anschlag hineindrücken (in Richtung B) und dann loslassen.

**ANMERKUNG:** Betätigen Sie den Auslöseschalter nicht gewaltsam, ohne den Verriegelungshebel zu drücken. Dies kann zu Beschädigung des Schalters führen.

## Soft-Start-Funktion

*Nur für Modell GA7020S / GA9020S*

Die Soft-Start-Funktion reduziert den Anlaufstoß.



# MONTAGE

**⚠ VORSICHT:** Vergewissern Sie sich vor der Ausführung von Arbeiten am Werkzeug stets, dass es ausgeschaltet und vom Stromnetz getrennt ist.

## Montieren des Seitengriffs (Handgriffs)

**⚠ VORSICHT:** Vergewissern Sie sich vor dem Betrieb stets, dass der Seitengriff einwandfrei montiert ist.

**⚠ VORSICHT:** Sie können den Seitengriff an den 3 Löchern montieren. Montieren Sie den Seitengriff entsprechend dem Betrieb an einem der Löcher.

Schrauben Sie den Seitengriff an der in der Abbildung gezeigten Position fest an das Werkzeug.

► **Abb.3**

## Montieren oder Demontieren der Schutzhaube (für gekröpfte Trennschleifscheibe, Fächerscheibe, Flexscheibe, Rotordrahtbürste / Trennschleifscheibe, Diamantscheibe)

**⚠ WARNUNG:** Wenn Sie eine gekröpfte Trennschleifscheibe, Fächerscheibe, Flexscheibe oder Rotordrahtbürste benutzen, muss die Schutzhaube so am Werkzeug angebracht werden, dass ihre geschlossene Seite immer zum Bediener gerichtet ist.

**⚠ WARNUNG:** Benutzen Sie beim Arbeiten mit einer Trennschleifscheibe/Diamantscheibe nur die spezielle Schutzhaube, die für den Einsatz mit Trennscheiben ausgelegt ist.

## Für Werkzeug mit Schutzhaube des Sicherungsschraubentyps

Montieren Sie die Schutzhaube so, dass die Vorsprünge am Schutzhaubenring auf die Nuten im Lagergehäuse ausgerichtet sind. Drehen Sie dann die Schutzhaube auf einen Winkel, bei dem der Benutzer entsprechend der Arbeit optimal geschützt wird. Ziehen Sie die Schraube fest an.

Zum Demontieren der Schutzhaube ist das Montageverfahren umgekehrt anzuwenden.

► **Abb.4:** 1. Schutzhaube 2. Lagergehäuse 3. Schraube

## Für Werkzeug mit Schutzhaube des Spannhebeltyps

Lösen Sie die Mutter, und ziehen Sie dann den Hebel in Pfeilrichtung.

► **Abb.5:** 1. Mutter 2. Hebel

Montieren Sie die Schutzhaube so, dass die Vorsprünge am Schutzhaubenring auf die Nuten im Lagergehäuse ausgerichtet sind. Drehen Sie dann die Schutzhaube auf einen Winkel, bei dem der Benutzer entsprechend der Arbeit optimal geschützt wird.

► **Abb.6:** 1. Schutzhaube 2. Lagergehäuse

► **Abb.7:** 1. Schutzhaube

Ziehen Sie die Mutter mit einem Schraubenschlüssel sicher fest, und schließen Sie dann den Hebel in Pfeilrichtung, um die Schutzhaube zu befestigen. Falls der Hebel zu straff oder zu locker zum Befestigen der Schutzhaube ist, öffnen Sie den Hebel, und lockern oder straffen Sie dann die Mutter mit dem Schraubenschlüssel, um den festen Sitz des Schutzhaubenrings einzustellen.

► **Abb.8:** 1. Mutter 2. Hebel

Zum Demontieren der Schutzhaube ist das Montageverfahren umgekehrt anzuwenden.

## Montieren oder Demontieren einer gekröpfen Trennschleifscheibe oder Fächerscheibe

### Sonderzubehör

**⚠ WARNUNG:** Wenn Sie eine gekröpfte Trennschleifscheibe oder Fächerscheibe benutzen, muss die Schutzhaube so am Werkzeug angebracht werden, dass ihre geschlossene Seite immer zum Bediener gerichtet ist.

**⚠ WARNUNG:** Vergewissern Sie sich, dass der Montageteil des Innenflansches genau in den Innendurchmesser der gekröpfen Trennschleifscheibe / Fächerscheibe passt. Die Montage des Innenflansches auf der falschen Seite kann zu gefährlichen Vibrationen führen.

Montieren Sie den Innenflansch an der Spindel. Vergewissern Sie sich, dass der gezahnte Teil des Innenflansches auf dem geraden Teil am unteren Ende der Spindel sitzt.

Passen Sie die Scheibe auf den Innenflansch, und schrauben Sie die Sicherungsmutter so an, dass ihr Vorsprung nach oben weist.

► **Abb.9:** 1. Sicherungsmutter 2. Gekröpfte Trennschleifscheibe 3. Innenflansch 4. Montageteil

Zum Anziehen der Sicherungsmutter die Spindelarreterierung drücken, um die Spindel zu blockieren; dann die Mutter mit dem Sicherungsmutterschlüssel im Uhrzeigersinn anziehen.

► **Abb.10:** 1. Sicherungsmutterschlüssel 2. Spindelarreterierung

Zum Demontieren der Schleifscheibe ist das Montageverfahren umgekehrt anzuwenden.

## Anbringen oder Abnehmen einer Flexscheibe

### Sonderzubehör

**⚠️ WARNUNG:** Benutzen Sie immer die mitgelieferte Schutzhaube, wenn eine Flexscheibe am Werkzeug montiert ist. Die Schutzhaube reduziert die Gefahr von Personenschäden, falls die Scheibe während des Betriebs zerbricht.

- **Abb.11:** 1. Sicherungsmutter 2. Flexscheibe  
3. Stützteller 4. Innenflansch

Folgen Sie den Anweisungen für eine gekröpfte Trennschleifscheibe, aber benutzen Sie auch einen Stützteller auf der Schleifscheibe.

## Anbringen oder Abnehmen eines Schleifblatts

### Sonderzubehör

- **Abb.12:** 1. Schleifscheiben-Sicherungsmutter  
2. Schleifblatt 3. Gummiteller

1. Montieren Sie den Gummiteller an der Spindel.
2. Setzen Sie das Schleifblatt auf den Gummiteller, und schrauben Sie die Schleifscheiben-Sicherungsmutter auf die Spindel.
3. Halten Sie die Spindel mit der Spindelarreterierung, und ziehen Sie die Schleifscheiben-Sicherungsmutter mit dem Sicherungsmutterschlüssel im Uhrzeigersinn fest.

Zum Demontieren des Schleifblatts ist das Montageverfahren umgekehrt anzuwenden.

**HINWEIS:** Verwenden Sie die in dieser Anleitung angegebenen Schleifer-Zubehörteile. Diese Teile müssen getrennt gekauft werden.

## Superflansch

### Sonderzubehör

Der Superflansch ist ein Sonderzubehör für Modelle, die NICHT mit einer Bremsfunktion ausgestattet sind. Modelle mit dem Buchstaben F sind standardmäßig mit einem Superflansch ausgestattet. Im Gegensatz zum herkömmlichen Typ wird nur 1/3 des Kraftaufwands zum Lösen der Sicherungsmutter benötigt.

## Anbringen und Abnehmen der Ezynut

### Sonderzubehör

Nur für Modelle mit M14-Spindelgewinde.

**⚠️ VORSICHT:** Verwenden Sie keine Ezynut mit dem Superflansch. Diese Flansche sind so dick, dass das gesamte Gewinde nicht von der Spindel gehalten werden kann.

Montieren Sie Innenflansch, Schleifscheibe und Ezynut so auf die Spindel, dass das Makita-Logo auf der Ezynut nach außen weist.

- **Abb.13:** 1. Ezynut 2. Schleifscheibe 3. Innenflansch  
4. Spindel

Drücken Sie fest auf die Spindelarreterierung, und ziehen Sie die Ezynut an. Drehen Sie dazu die Schleifscheibe bis zum Anschlag im Uhrzeigersinn.

- **Abb.14:** 1. Spindelarreterierung

Zum Lösen der Ezynut drehen Sie den äußeren Ring der Ezynut entgegen dem Uhrzeigersinn.

**HINWEIS:** Die Ezynut kann von Hand gelöst werden, solange der Pfeil auf die Kerbe gerichtet ist. Anderenfalls wird zum Lösen ein Sicherungsmutterschlüssel benötigt. Führen Sie einen Stift des Schlüssels in ein Loch ein, und drehen Sie die Ezynut entgegen dem Uhrzeigersinn.

- **Abb.15:** 1. Pfeil 2. Kerbe

- **Abb.16**

## Montieren einer Trennschleifscheibe/Diamantscheibe

### Sonderzubehör

**⚠️ WARNUNG:** Benutzen Sie beim Arbeiten mit einer Trennschleifscheibe/Diamantscheibe nur die spezielle Schutzhaube, die für den Einsatz mit Trennscheiben ausgelegt ist.

**⚠️ WARNUNG:** Benutzen Sie Trennscheiben NIEMALS für Seitenschleifen.

Montieren Sie den Innenflansch an der Spindel. Passen Sie die Scheibe auf den Innenflansch, und schrauben Sie die Sicherungsmutter auf die Spindel.

- **Abb.17:** 1. Sicherungsmutter  
2. Trennschleifscheibe / Diamantscheibe  
3. Innenflansch 4. Schutzhaube für Trennschleifscheibe / Diamantscheibe

### Für Australien und Neuseeland

- **Abb.18:** 1. Sicherungsmutter 2. Außenflansch 78  
3. Trennschleifscheibe / Diamantscheibe  
4. Innenflansch 78 5. Schutzhaube für Trennschleifscheibe / Diamantscheibe

## Montieren einer Topfdrabtbürste

### Sonderzubehör

**⚠️ VORSICHT:** Verwenden Sie keine beschädigte oder unausgewuchtete Bürste. Bei Verwendung einer beschädigten Bürste ist das Verletzungspotenzial durch Kontakt mit gebrochenen Bürstendrähten größer.

Legen Sie das Werkzeug auf den Kopf, um leichten Zugang zur Spindel zu ermöglichen.

Entfernen Sie sämtliches Zubehör von der Spindel. Schrauben Sie die Topfdrabtbürste auf die Spindel, und ziehen Sie sie mit dem mitgelieferten Schraubenschlüssel fest.

- **Abb.19:** 1. Topfdrabtbürste

## Montieren einer Rotordrahtbürste

### Sonderzubehör

**⚠ VORSICHT:** Verwenden Sie keine beschädigte oder unausgewuchtete Rotordrahtbürste. Bei Verwendung einer beschädigten Rotordrahtbürste ist das Verletzungsrisiko durch Kontakt mit gebrochenen Bürstendrähten größer.

**⚠ VORSICHT:** Verwenden Sie Rotordrahtbürsten **IMMER** mit einer Schutzhaube, die groß genug für den Rotordurchmesser ist. Die Schutzhaube reduziert die Gefahr von Personenschäden, falls die Rotordrahtbürste während des Betriebs zerbricht.

Legen Sie das Werkzeug auf den Kopf, um leichten Zugang zur Spindel zu ermöglichen.  
Entfernen Sie sämtliches Zubehör von der Spindel. Die Rotordrahtbürste auf die Spindel schrauben und mit den Schraubenschlüsseln festziehen.

► **Abb.20:** 1. Rotordrahtbürste

## Installieren des Lochschneiders

### Sonderzubehör

Legen Sie das Werkzeug auf den Kopf, um leichten Zugang zur Spindel zu ermöglichen.  
Entfernen Sie sämtliches Zubehör von der Spindel.  
Schrauben Sie den Lochschneider auf die Spindel, und ziehen Sie ihn mit dem mitgelieferten Schraubenschlüssel fest.

► **Abb.21:** 1. Lochschneider

## Installieren der Staubabsaughaube für Schleifarbeiten

Nur für Modell GA7020S / GA9020S

### Sonderzubehör

Mit Sonderzubehör können Sie dieses Werkzeug zum Abschleifen von Betonoberflächen verwenden.

**⚠ VORSICHT:** Die Staubabsaughaube für die gekröpfte Diamantscheibe ist nur für den Einsatz beim Schleifen von Betonoberflächen mit einer gekröpften Diamantscheibe vorgesehen. Benutzen Sie diese Schutzhaube nicht mit anderem Schneidzubehör oder für andere Zwecke.

**⚠ VORSICHT:** Vergewissern Sie sich vor der Arbeit, dass ein Saugergerät an das Werkzeug angeschlossen und eingeschaltet ist.

Legen Sie das Werkzeug auf den Kopf, und installieren Sie die Staubabsaughaube.

Montieren Sie den Innenflansch an der Spindel. Passen Sie die Topfdiamantscheibe auf den Innenflansch, und ziehen Sie die Sicherungsmutter auf der Spindel an.

► **Abb.22:** 1. Sicherungsmutter  
2. Topfdiamantscheibe  
3. Topfdiamantscheibe mit Nabe  
4. Innenflansch 5. Staubabsaughaube  
6. Lagergehäuse

**HINWEIS:** Informationen zum Montieren der Staubabsaughaube entnehmen Sie bitte der Gebrauchsanleitung der Staubabsaughaube.

## Installieren der Staubabsaughaube für Trennarbeiten

### Sonderzubehör

Mit Sonderzubehör können Sie dieses Werkzeug zum Schneiden von Steinmaterial verwenden.

► **Abb.23**

**HINWEIS:** Informationen zum Montieren der Staubabsaughaube entnehmen Sie bitte der Gebrauchsanleitung der Staubabsaughaube.

## Montage und Demontage des Staubschutzaufsatzes

### Sonderzubehör

**⚠ VORSICHT:** Vergewissern Sie sich vor der Montage oder Demontage des Staubschutzaufsatzes stets, dass das Werkzeug ausgeschaltet und vom Stromnetz getrennt ist. Andernfalls kann es zu einer Beschädigung des Werkzeugs oder Personenschäden kommen.

Installieren Sie den Staubschutzaufsatz an jeder angegebenen Position.

Einzelheiten hierzu finden Sie in der Gebrauchsanleitung des Staubschutzaufsatzes.

**ANMERKUNG:** Reinigen Sie den Staubschutzaufsatz, wenn er mit Staub oder Fremdkörpern zugesetzt ist. Fortgesetzter Betrieb mit verstopftem Staubschutzaufsatz führt zu einer Beschädigung des Werkzeugs.

## BETRIEB

**⚠ WARNUNG:** Das Werkzeug darf auf keinen Fall gewaltsam angedrückt werden. Das Eigengewicht des Werkzeugs übt ausreichenden Druck aus. Gewaltanwendung und übermäßiger Druck können zu einem gefährlichen Schleifscheibenbruch führen.

**⚠ WARNUNG:** Wechseln Sie die Schleifscheibe **IMMER** aus, falls das Werkzeug während der Schleifarbeit fallen gelassen wurde.

**⚠ WARNUNG:** Eine Schleif- oder Trennscheibe darf **NIEMALS** gegen das Werkstück geschlagen oder gestoßen werden.

**⚠ WARNUNG:** Achten Sie besonders beim Bearbeiten von Ecken, scharfen Kanten usw. darauf, dass die Schleifscheibe nicht springt oder hängen bleibt. Dies kann den Verlust der Kontrolle und Rückschläge verursachen.

**⚠ WARNUNG:** Verwenden Sie das Werkzeug **NIEMALS** mit Holz- und anderen Sägeblättern. Solche Sägeblätter verursachen bei Verwendung an einer Schleifmaschine häufiges Rückschlagen und Verlust der Kontrolle, was zu Verletzungen führen kann.

**⚠ VORSICHT:** Schalten Sie das Werkzeug niemals ein, wenn es mit dem Werkstück in Berührung ist, weil sonst Verletzungsgefahr für die Bedienungsperson besteht.

**⚠ VORSICHT:** Tragen Sie bei der Arbeit stets eine Schutzbrille oder einen Gesichtsschutz.

**⚠ VORSICHT:** Schalten Sie das Werkzeug nach der Arbeit stets aus, und warten Sie, bis die Schleifscheibe zum völligen Stillstand gekommen ist, bevor Sie das Werkzeug ablegen.

**⚠ VORSICHT:** Halten Sie das Werkzeug IMMER mit einer Hand am Gehäuse und mit der anderen am Seitengriff (Handgriff) fest.

**HINWEIS:** Eine Doppelzweckscheibe kann sowohl für Schleif- als auch für Trennarbeiten verwendet werden.

Nehmen Sie für Schleifarbeiten auf „Schleif- und Schmirgelbetrieb“, und für Trennarbeiten auf „Betrieb mit Trennschleifscheibe/Diamantscheibe“ Bezug.

## Schleif- und Schmirgelbetrieb

### ► Abb.24

Schalten Sie das Werkzeug ein, und setzen Sie dann die Trenn- oder Schleifscheibe an das Werkstück an. Halten Sie die Trenn- oder Schleifscheibe im Allgemeinen in einem Winkel von etwa 15° zur Werkstückoberfläche.

Bewegen Sie die Schleifmaschine beim Einschleifen einer neuen Schleifscheibe nicht in Vorwärtsrichtung, weil die Schleifscheibe sonst in das Werkstück einschneiden kann. Sobald die Schleifscheibenkante durch Gebrauch abgerundet ist, kann die Schleifscheibe sowohl in Vorwärts- als auch in Rückwärtsrichtung bewegt werden.

**Benutzungsbeispiel: Betrieb mit Topfdiamantscheibe**  
► Abb.25

Halten Sie das Werkzeug waagrecht, und setzen Sie die gesamte Topfdiamantscheibe auf die Werkstückoberfläche auf.

## Betrieb mit Trennschleifscheibe / Diamantscheibe

### Sonderzubehör

**⚠ WARNUNG:** Vermeiden Sie „Verkanten“ der Trennscheibe oder die Ausübung übermäßigen Drucks. Versuchen Sie nicht, übermäßig tiefe Schnitte zu machen. Überbeanspruchung der Trennscheibe erhöht die Belastung und die Empfänglichkeit für Verdrehen oder Klemmen der Trennscheibe im Schnitt sowie die Möglichkeit von Rückschlag, Scheibenbruch und Überhitzung des Motors.

**⚠ WARNUNG:** Starten Sie den Schnittbetrieb nicht mit im Werkstück sitzender Trennscheibe. Warten Sie, bis die Trennscheibe ihre volle Drehzahl erreicht hat, bevor Sie sie vorsichtig in den Schnitt senken und das Werkzeug über die Werkstückoberfläche vorschieben. Wird das Elektrowerkzeug mit im Werkstück sitzender Trennscheibe eingeschaltet, kann die Trennscheibe klemmen, hochsteigen oder zurückschlagen.

**⚠ WARNUNG:** Ändern Sie während der Schneidarbeiten niemals den Winkel der Trennscheibe. Die Ausübung von Seitendruck auf die Trennscheibe (wie beim Schleifen) verursacht Reißen und Brechen der Trennscheibe, was schwere Personenschäden zur Folge haben kann.

**⚠ WARNUNG:** Eine Diamantscheibe muss senkrecht zum Werkstückmaterial angesetzt werden.

**Benutzungsbeispiel: Betrieb mit Trennschleifscheibe**

### ► Abb.26

**Benutzungsbeispiel: Betrieb mit Diamantscheibe**  
► Abb.27

## Betrieb mit Topfdrabtbürste

### Sonderzubehör

**⚠ VORSICHT:** Überprüfen Sie den Betrieb der Bürste, indem Sie das Werkzeug bei Nulllast laufen lassen und sicherstellen, dass sich niemand vor der Bürste oder in ihrer Linie befindet.

**ANMERKUNG:** Vermeiden Sie übermäßige Druckausübung, die Verbiegung der Drähte bei Benutzung der Topfdrabtbürste verursacht. Dies kann zu vorzeitigem Brechen führen.

**Benutzungsbeispiel: Betrieb mit Topfdrabtbürste**  
► Abb.28

## Betrieb mit Rotordrahtbürste

### Sonderzubehör

**⚠ VORSICHT:** Überprüfen Sie den Betrieb der Rotordrahtbürste, indem Sie das Werkzeug bei Nulllast laufen lassen und sicherstellen, dass sich niemand vor der Rotordrahtbürste oder in ihrer Linie befindet.

**ANMERKUNG:** Vermeiden Sie übermäßige Druckausübung, die Verbiegung der Drähte bei Benutzung der Rotordrahtbürste verursacht. Dies kann zu vorzeitigem Brechen führen.

Benutzungsbeispiel: Betrieb mit Rotordrahtbürste  
► Abb.29

## Betrieb mit Lochschneider

### Sonderzubehör

**⚠ VORSICHT:** Überprüfen Sie den Betrieb des Lochschneiders, indem Sie das Werkzeug ohne Last laufen lassen und sich dabei vergewissern, dass sich niemand vor dem Lochschneider befindet.

**ANMERKUNG:** Kippen Sie das Werkzeug während des Betriebs nicht. Dies kann zu vorzeitigem Brechen führen.

Benutzungsbeispiel: Betrieb mit Lochschneider  
► Abb.30

## WARTUNG

**⚠ VORSICHT:** Vergewissern Sie sich vor der Durchführung von Überprüfungen oder Wartungsarbeiten des Werkzeugs stets, dass es ausgeschaltet und vom Stromnetz getrennt ist.

**ANMERKUNG:** Verwenden Sie auf keinen Fall Benzin, Waschbenzin, Verdünner, Alkohol oder dergleichen. Solche Mittel können Verfärbung, Verformung oder Rissbildung verursachen.

Um die SICHERHEIT und ZUVERLÄSSIGKEIT dieses Produkts zu gewährleisten, sollten Reparaturen und andere Wartungs- oder Einstellarbeiten nur von Makita-Vertragswerkstätten oder Makita-Kundendienstzentren unter ausschließlicher Verwendung von Makita-Originalersatzteilen ausgeführt werden.

## Reinigung der Ventilationsöffnungen

Halten Sie das Werkzeug und seine Ventilationsöffnungen stets sauber. Reinigen Sie die Ventilationsöffnungen des Werkzeugs regelmäßig oder im Anfangsstadium einer Verstopfung.

► **Abb.31:** 1. Auslassöffnung 2. Einlassöffnung

## Auswechseln der Kohlebürsten

► **Abb.32:** 1. Kollektor 2. Isolierspitze 3. Kohlebürste  
Wenn der Kunststoff-Isolierstift in der Kohlebürste freigelegt wird, so dass er den Kollektor berührt, schaltet sich der Motor automatisch aus. In diesem Fall müssen beide Kohlebürsten erneuert werden. Halten Sie die Kohlebürsten stets sauber, damit sie ungehindert in den Haltern gleiten können. Beide Kohlebürsten sollten gleichzeitig ausgewechselt werden. Verwenden Sie nur identische Kohlebürsten.

Drehen Sie die Bürstenhalterkappen mit einem Schraubendreher heraus. Nehmen Sie die abgenutzten Kohlebürsten heraus, setzen Sie die neuen ein, und drehen Sie dann die Bürstenhalterkappen wieder ein.

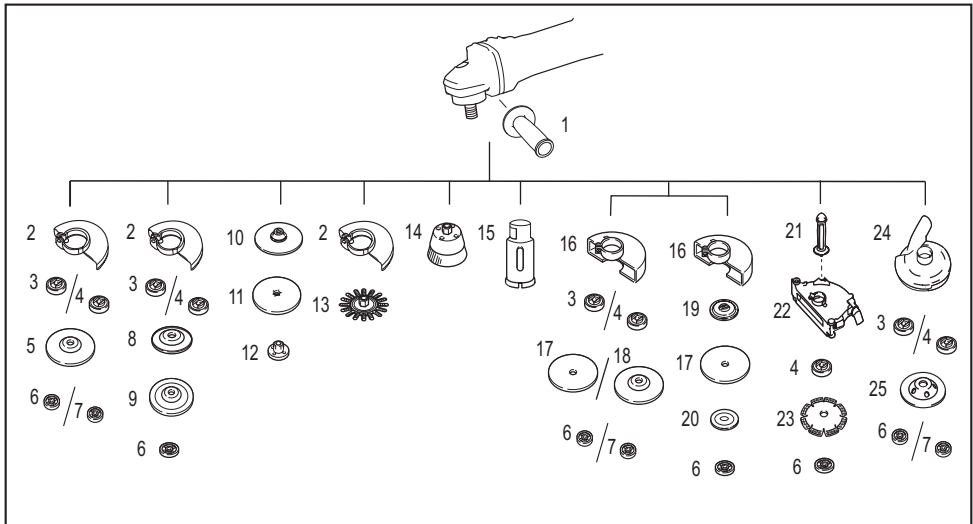
► **Abb.33:** 1. Bürstenhalterkappe 2. Schraubendreher

# KOMBINATION VON ANWENDUNGEN UND ZUBEHÖR

## Sonderzubehör

**⚠ VORSICHT:** Die Verwendung des Werkzeugs mit falschen Schutzvorrichtungen kann folgende Risiken verursachen.

- Bei Verwendung einer Trennscheiben-Schutzhaube für Flächenschleifen kann die Schutzhaube das Werkstück beeinträchtigen und eine schlechte Kontrolle verursachen.
- Bei Verwendung einer Schleifscheiben-Schutzhaube für Trennarbeiten mit gebundenen Schleifscheiben und Diamantscheiben besteht ein erhöhtes Risiko der Exposition gegenüber rotierenden Schleifscheiben, emittierten Funken und Partikeln sowie der Exposition gegenüber Scheibensplittern im Falle eines Scheibenbruchs.
- Bei Verwendung einer Trennscheiben- oder Schleifscheiben-Schutzhaube für Flächenarbeiten mit Topfdiamantscheiben kann die Schutzhaube das Werkstück beeinträchtigen und eine schlechte Kontrolle verursachen.
- Bei Verwendung einer Trennscheiben- oder Schleifscheiben-Schutzhaube mit einer radförmigen Drahtbürste, deren Dicke die in „TECHNISCHE DATEN“ angegebene maximale Dicke überschreitet, können sich die Drähte an der Schutzhaube verfangen, was zu Drahtbrüchen führen kann.
- Die Verwendung von Staubabsaughauben für Trenn- und Flächenarbeiten in Beton oder Mauerwerk verringert das Risiko einer Staubbelastung.
- Benutzen Sie bei Verwendung von angeflanschten Doppelzweckscheiben (kombinierte Schleif- und Trennschleifscheiben) nur eine Trennscheiben-Schutzhaube.



-	Anwendung	180-mm-Modell	230-mm-Modell
1	-	Seitengriff	
2	-	Schutzhaube (für Schleifscheibe)	
3	-	Innenflansch	
4	-	Superflansch *1	
5	Schleifen/Schmiegeln	Gekröpfte Trennschleifscheibe / Fächerscheibe	
6	-	Sicherungsmutter	
7	-	Ezynut *1*2	
8	-	Stützsteller	
9	Schleifen	Flexscheibe	
10	-	Gummiteller	
11	Schmiegeln	Schleifblatt	
12	-	Schleifscheiben-Sicherungsmutter	

-	Anwendung	180-mm-Modell	230-mm-Modell
13	Drahtbürsten	Rotordrahtbürste	
14	Drahtbürsten	Topfdrahtbürste	
15	Lochschneiden	Lochschneider	
16	-	Schutzhaube (für Trennscheibe)	
17	Trennen	Trennschleifscheibe / Diamantscheibe	
18	Schleifen/Trennen	Doppelzweckscheibe	-
19	-	Innenflansch 78 (nur für Australien und Neuseeland) *3	
20	-	Außenflansch 78 (nur für Australien und Neuseeland) *3	
21	-	Seitengriff für Staubabsaughaube *4	
22	-	Staubabsaughaube für Trennarbeiten *4*5	
23	Trennen	Diamantscheibe	
24	-	Staubabsaughaube für Schleifarbeiten *6	
25	Schleifen	Topfdiamantscheibe *6	
-	-	Sicherungsmutterschlüssel	
-	-	Staubfänger	

**HINWEIS:** \*1 Verwenden Sie Superflansch und Ezynut nicht zusammen.

**HINWEIS:** \*2 Nur für Werkzeuge mit M14-Spindelgewinde.

**HINWEIS:** \*3 Verwenden Sie Innenflansch 78 und Außenflansch 78 zusammen. (nur für Australien und Neuseeland)

**HINWEIS:** \*4 Verwenden Sie den Seitengriff für die Staubabsaughaube und die Staubabsaughaube für Trennarbeiten zusammen.

**HINWEIS:** \*5 Weitere Einzelheiten dazu finden Sie in der jeweiligen Gebrauchsanweisung der Schutzeinrichtung.

**HINWEIS:** \*6 Nur für Modell GA7020S / GA9020S

Weitere Einzelheiten dazu finden Sie in der jeweiligen Gebrauchsanweisung der Schutzeinrichtung.

## SONDERZUBEHÖR

**⚠ VORSICHT:** Die folgenden Zubehörteile oder Vorrichtungen werden für den Einsatz mit dem in dieser Anleitung beschriebenen Makita-Werkzeug empfohlen. Die Verwendung anderer Zubehörteile oder Vorrichtungen kann eine Verletzungsgefahr darstellen. Verwenden Sie Zubehörteile oder Vorrichtungen nur für ihren vorgesehenen Zweck.

Wenn Sie weitere Einzelheiten bezüglich dieser Zubehörteile benötigen, wenden Sie sich bitte an Ihre Makita-Kundendienststelle.

- Unter „KOMBINATION VON ANWENDUNGEN UND ZUBEHÖR“ aufgelistete Zubehörteile

**HINWEIS:** Manche Teile in der Liste können als Standardzubehör im Werkzeugsatz enthalten sein. Sie können von Land zu Land unterschiedlich sein.

**Makita Europe N.V.** Jan-Baptist Vinkstraat 2,  
3070 Kortenberg, Belgium

**Makita Corporation** 3-11-8, Sumiyoshi-cho,  
Anjo, Aichi 446-8502 Japan

[www.makita.com](http://www.makita.com)

884635K926 EN, PL, HU, SK, CS, UK, RO, DE 20221004
---