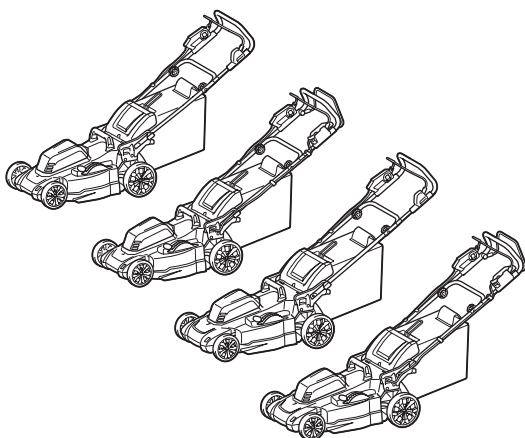




EN	Cordless Lawn Mower	INSTRUCTION MANUAL	10
PL	Akumulatorowa kosiarka do trawy	INSTRUKCJA OBSŁUGI	22
HU	Vezeték nélküli fűnyíró	HASZNÁLATI KÉZIKÖNYV	36
SK	Akumulátorová kosačka	NÁVOD NA OBSLUHU	50
CS	Akumulátorová sekačka na trávu	NÁVOD K OBSLUZE	63
UK	Бездротова газонокосарка	ІНСТРУКЦІЯ З ЕКСПЛУАТАЦІЇ	75
RO	Mașină de tuns iarba fără cablu	MANUAL DE INSTRUCȚIUNI	90
DE	Akku Rasenmäher	BETRIEBSANLEITUNG	104

DLM480
DLM481
DLM538
DLM539



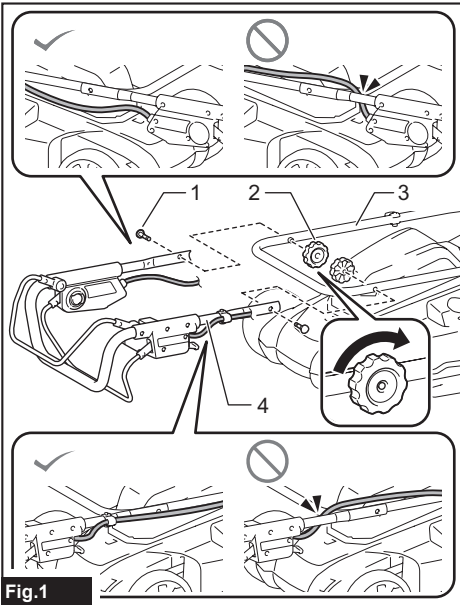


Fig. 1

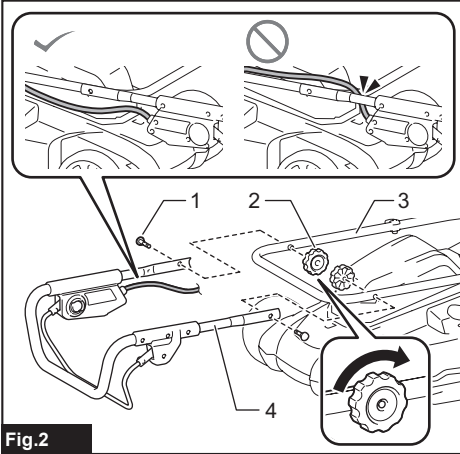


Fig. 2

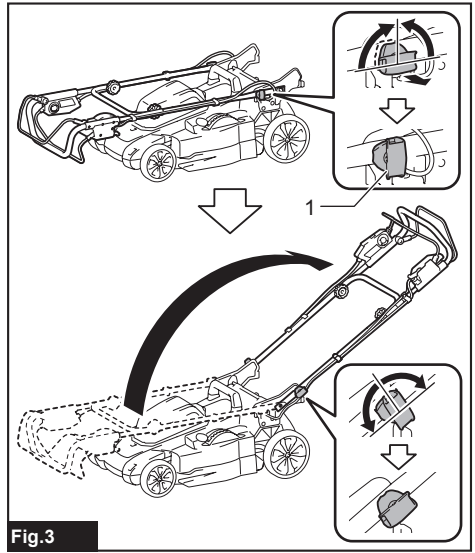


Fig. 3

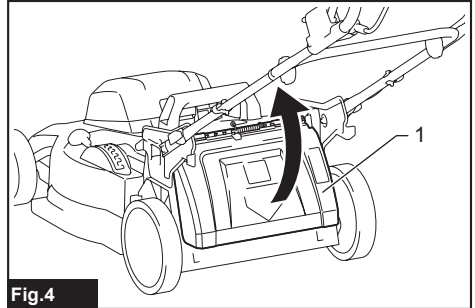


Fig. 4

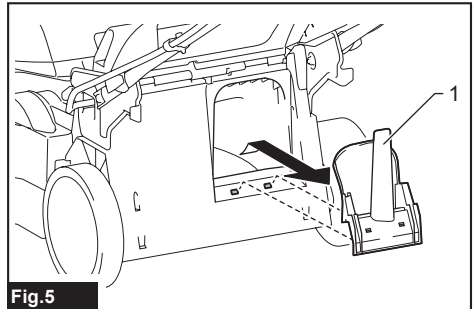
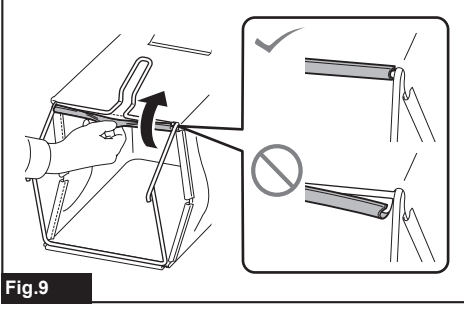
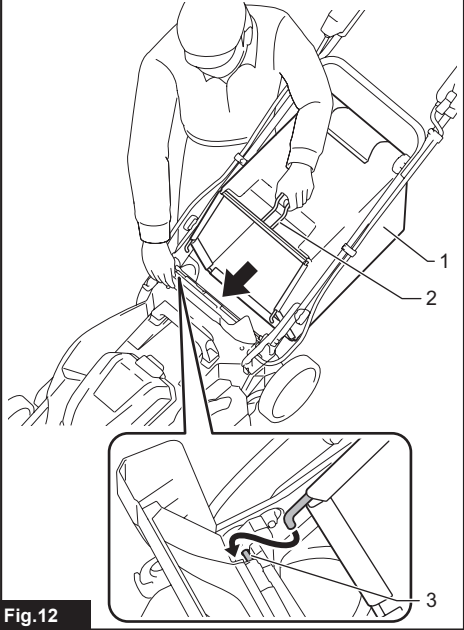
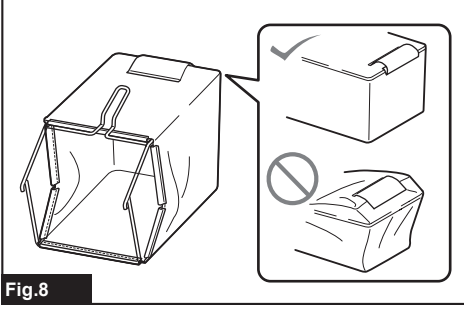
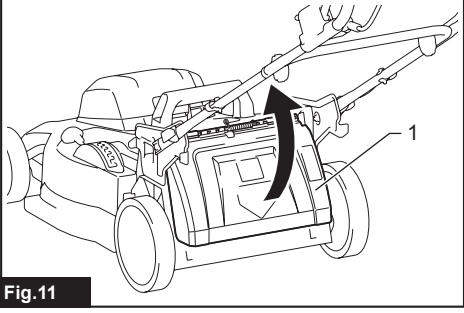
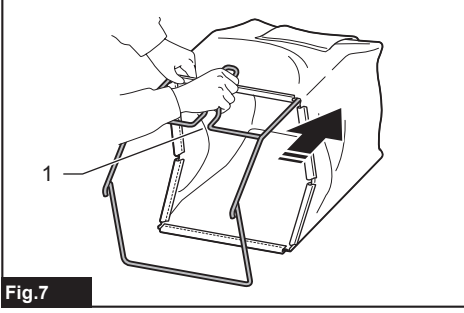
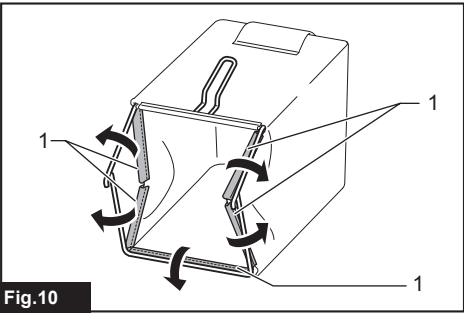
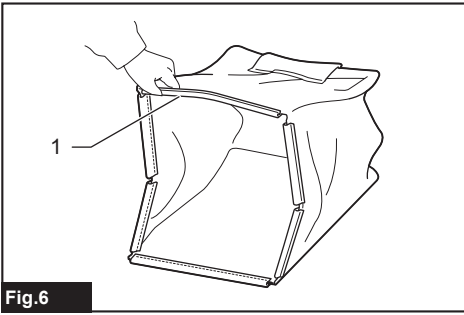


Fig. 5



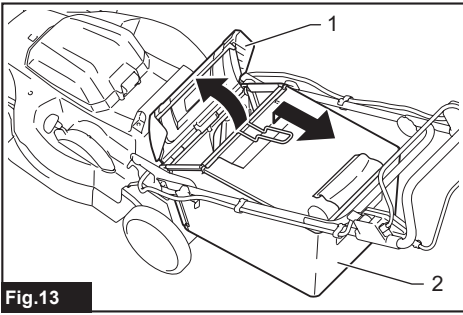


Fig.13

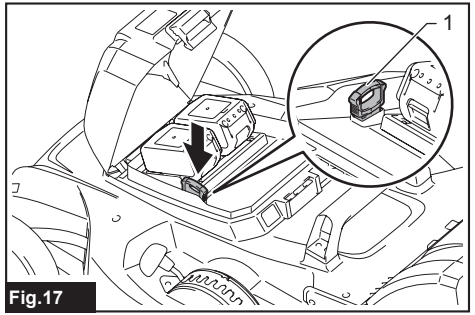


Fig.17

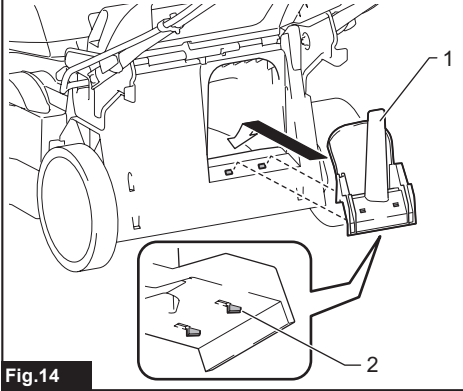


Fig.14

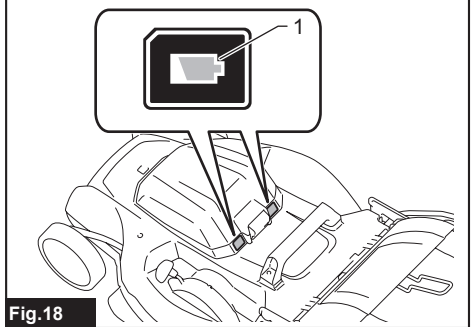


Fig.18

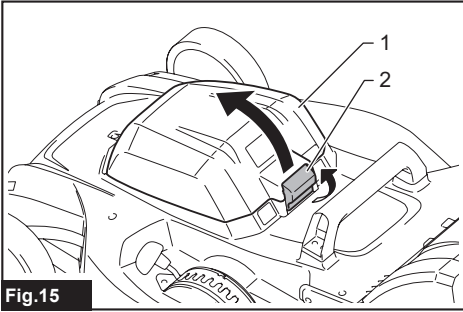


Fig.15

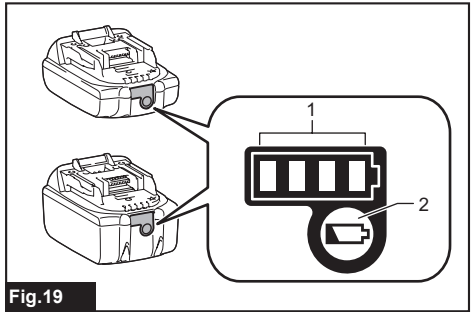


Fig.19

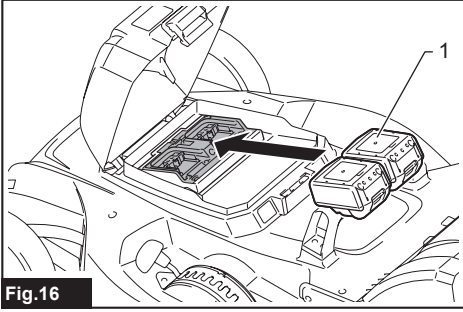


Fig.16

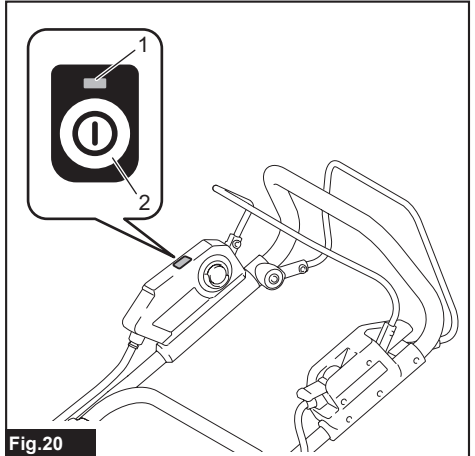


Fig.20

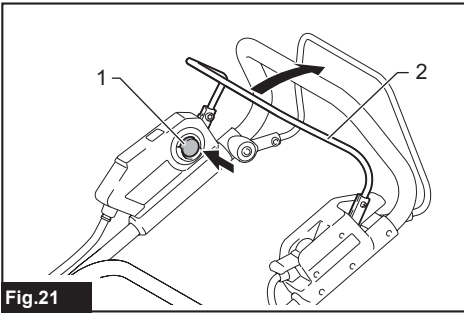


Fig.21

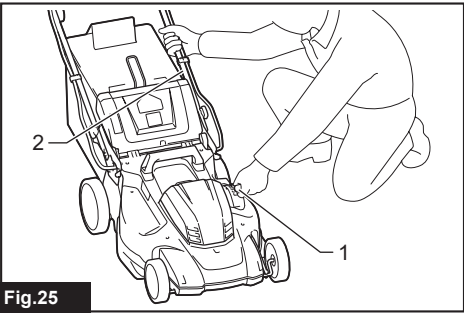


Fig.25

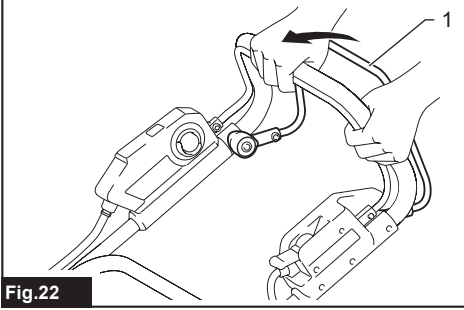


Fig.22

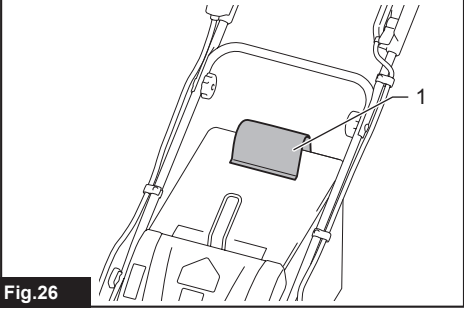


Fig.26

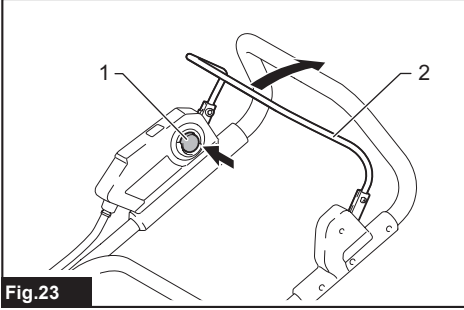


Fig.23

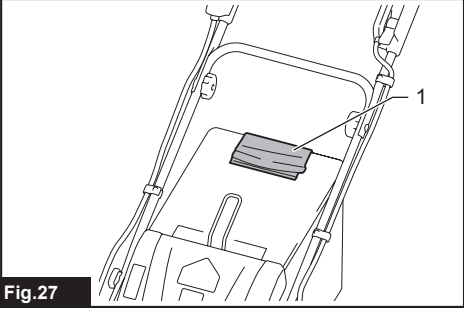


Fig.27

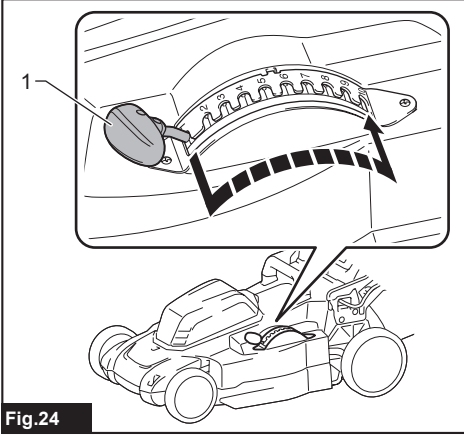


Fig.24

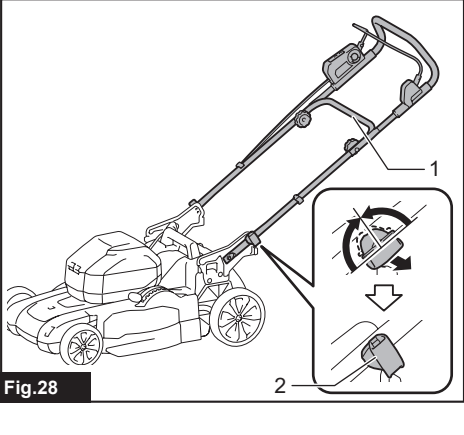
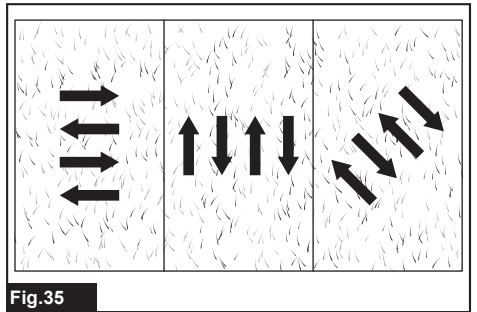
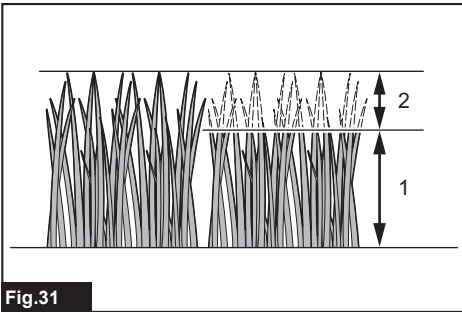
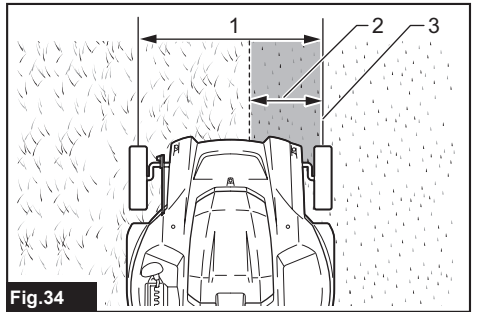
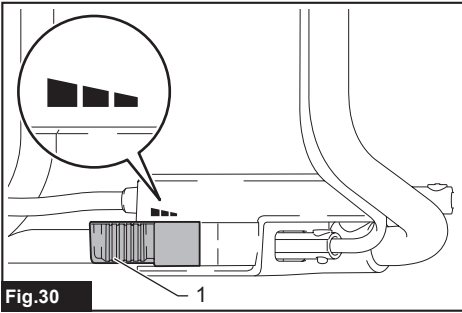
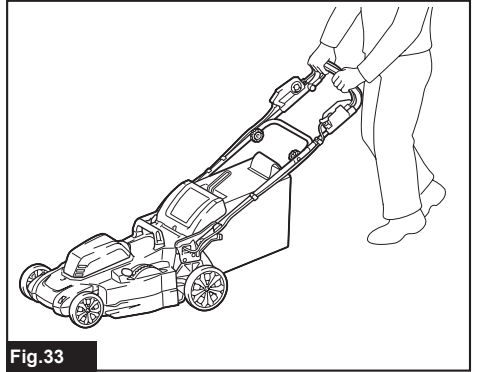
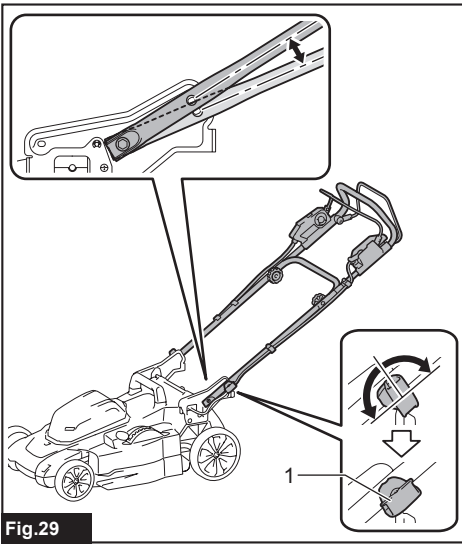
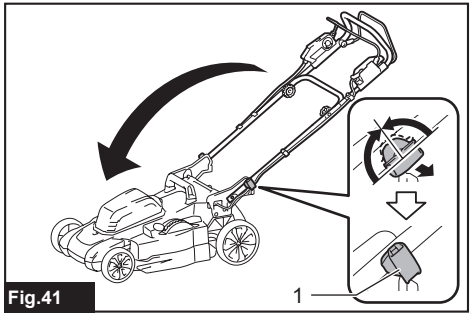
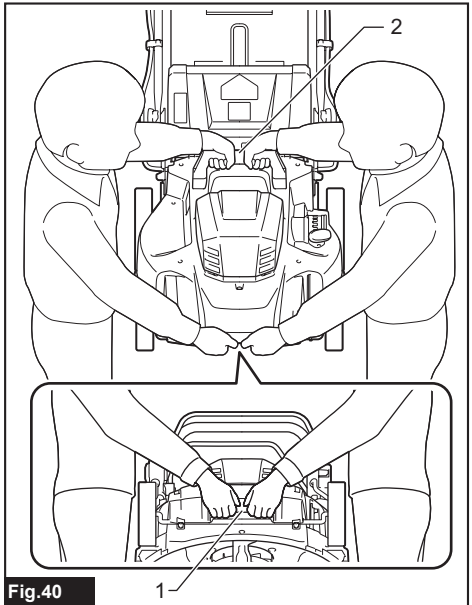
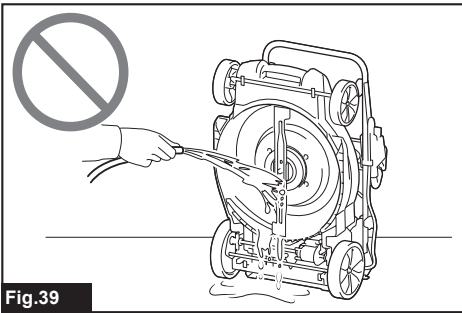
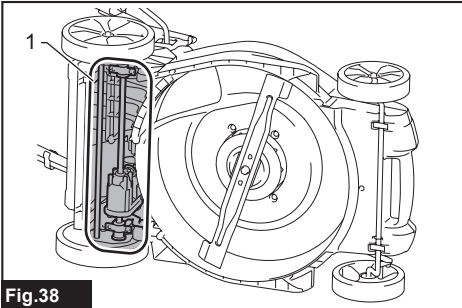
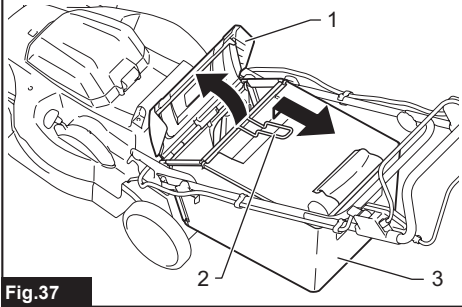
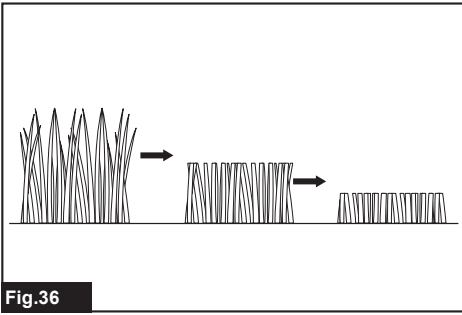


Fig.28





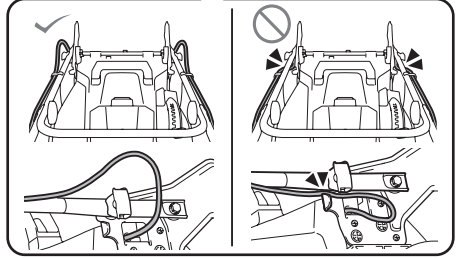
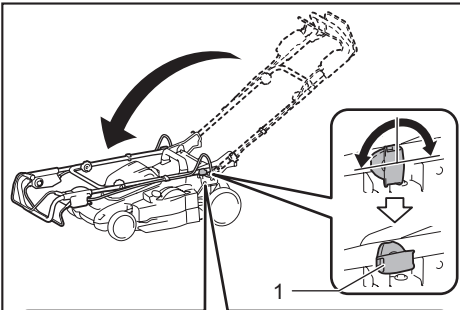


Fig.42

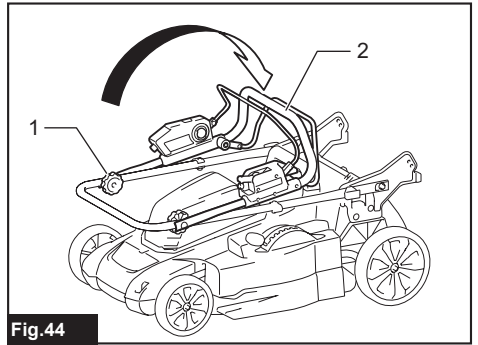


Fig.44

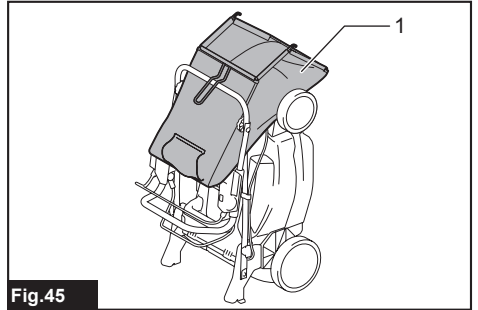


Fig.45

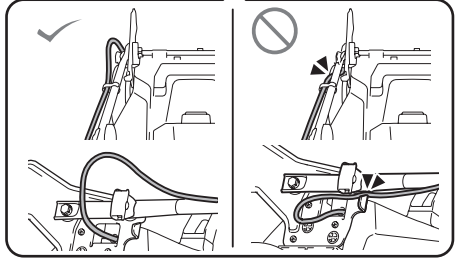
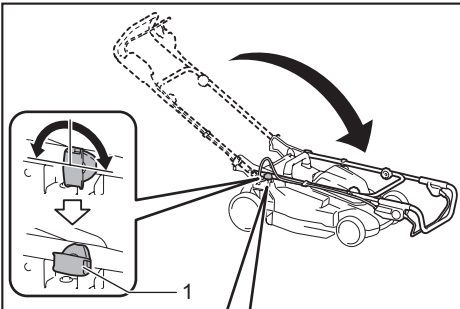


Fig.43

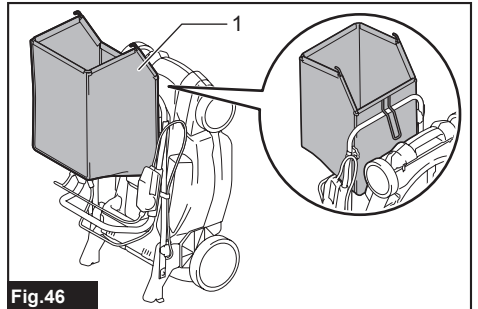


Fig.46

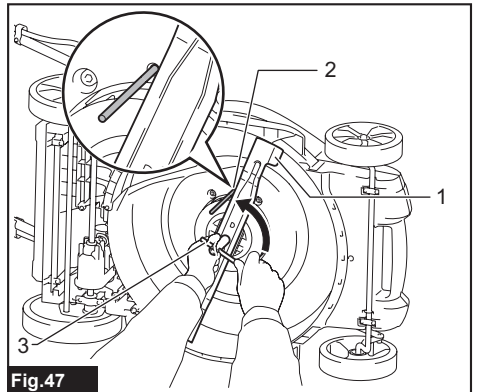


Fig.47

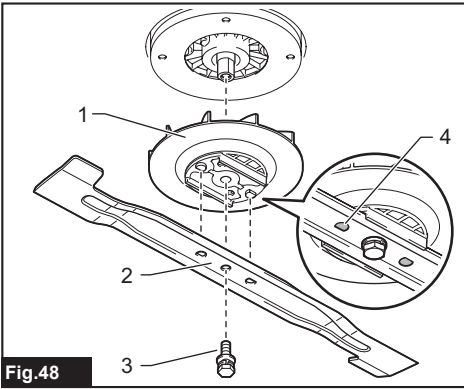


Fig.48

SPECIFICATIONS

Model:		DLM480	DLM481	DLM538	DLM539
Mowing width (blade diameter)		480 mm		534 mm	
No load speed		3,100 min ⁻¹		3,000 min ⁻¹	
Part number of replacement mower blade	Straight mower blade	191V97-3		191V96-5 / 191W87-2	
	Mulching blade	191Y64-6		191Y65-4	
Dimensions (L x W x H)	during operation	L: 1,690 mm to 1,740 mm W: 530 mm H: 930 mm to 1,060 mm		L: 1,810 mm to 1,870 mm W: 580 mm H: 920 mm to 1,040 mm	
	when stored (without grass basket)	580 mm x 530 mm x 870 mm		610 mm x 580 mm x 925 mm	
Traveling speed		–	2.5 - 5.0 km/h	–	2.5 - 5.0 km/h
Rated voltage		D.C. 36 V			
Net weight		24.5 - 26.8 kg	27.0 - 29.3 kg	25.5 - 28.0 kg	27.9 - 30.4 kg
Protection degree		IPX4			

- Due to our continuing program of research and development, the specifications herein are subject to change without notice.
- Specifications may differ from country to country.
- The weight may differ depending on the attachment(s), including the battery cartridge. The lightest and heaviest combination, according to EPTA-Procedure 01/2014, are shown in the table.

Applicable battery cartridge and charger

Battery cartridge	BL1815N / BL1820B / BL1830B / BL1840B / BL1850B / BL1860B
Charger	DC18RC / DC18RD / DC18RE / DC18SD / DC18SE / DC18SF / DC18SH / DC18WC







- Some of the battery cartridges and chargers listed above may not be available depending on your region of residence.

⚠ WARNING: Only use the battery cartridges and chargers listed above. Use of any other battery cartridges and chargers may cause injury and/or fire.

⚠ WARNING: Do not use a corded power supply such as battery adapter or portable power pack with this machine. The cable of such power supply may hinder the operation and result in personal injury.

Symbols

The followings show the symbols which may be used for the equipment. Be sure that you understand their meaning before use.

	Take particular care and attention.
	Read instruction manual.
	Danger; be aware of thrown objects.
	The distance between the tool and bystanders must be at least 15 m.
	Never put your hands and feet near the mower blade under the mower. Mower blades continue to rotate after the motor is switched off.
	Remove the lock key before inspecting, adjusting, cleaning, servicing, leaving and storing the mower.



Warning; Disconnect battery before maintenance.



Electrical hazard. Contact with water can cause electric shock.



Do not pour water.



Ni-MH
Li-ion

Only for EU countries
Due to the presence of hazardous components in the equipment, waste electrical and electronic equipment, accumulators and batteries may have a negative impact on the environment and human health. Do not dispose of electrical and electronic appliances or batteries with household waste! In accordance with the European Directive on waste electrical and electronic equipment and on accumulators and batteries and waste accumulators and batteries, as well as their adaptation to national law, waste electrical equipment, batteries and accumulators should be stored separately and delivered to a separate collection point for municipal waste, operating in accordance with the regulations on environmental protection. This is indicated by the symbol of the crossed-out wheeled bin placed on the equipment.



Guaranteed sound power level according to EU Outdoor Noise Directive.



Sound power level according to Australia NSW Noise Control Regulation.

Intended use

The machine is intended for lawn mowing.

Noise

The typical A-weighted noise level determined according to EN60335-2-77:

Model DLM480

Sound pressure level (L_{pA}): 84 dB(A)

Sound power level (L_{WA}): 92 dB (A)

Uncertainty (K): 3 dB(A)

Model DLM481

Sound pressure level (L_{pA}): 84 dB(A)

Sound power level (L_{WA}): 92 dB (A)

Uncertainty (K): 3 dB(A)

Model DLM538

Sound pressure level (L_{pA}): 85 dB(A)

Sound power level (L_{WA}): 96 dB (A)

Uncertainty (K): 3 dB(A)

Model DLM539

Sound pressure level (L_{pA}): 85 dB(A)

Sound power level (L_{WA}): 96 dB (A)

Uncertainty (K): 3 dB(A)

NOTE: The declared noise emission value(s) has been measured in accordance with a standard test method and may be used for comparing one tool with another.

NOTE: The declared noise emission value(s) may also be used in a preliminary assessment of exposure.

⚠ WARNING: Wear ear protection.

⚠ WARNING: The noise emission during actual use of the power tool can differ from the declared value(s) depending on the ways in which the tool is used especially what kind of workpiece is processed.

⚠ WARNING: Be sure to identify safety measures to protect the operator that are based on an estimation of exposure in the actual conditions of use (taking account of all parts of the operating cycle such as the times when the tool is switched off and when it is running idle in addition to the trigger time).

Vibration

The vibration total value (tri-axial vector sum) determined according to EN60335-2-77:

Model DLM480

Vibration emission (a_h): 2.5 m/s² or less

Uncertainty (K): 1.5 m/s²

Model DLM481

Vibration emission (a_h): 2.5 m/s² or less

Uncertainty (K): 1.5 m/s²

Model DLM538

Vibration emission (a_h): 2.5 m/s² or less

Uncertainty (K): 1.5 m/s²

Model DLM539

Vibration emission (a_h): 2.5 m/s² or less

Uncertainty (K): 1.5 m/s²

NOTE: The declared vibration total value(s) has been measured in accordance with a standard test method and may be used for comparing one tool with another.

NOTE: The declared vibration total value(s) may also be used in a preliminary assessment of exposure.

⚠ WARNING: The vibration emission during actual use of the power tool can differ from the declared value(s) depending on the ways in which the tool is used especially what kind of workpiece is processed.

⚠ WARNING: Be sure to identify safety measures to protect the operator that are based on an estimation of exposure in the actual conditions of use (taking account of all parts of the operating cycle such as the times when the tool is switched off and when it is running idle in addition to the trigger time).

EC Declaration of Conformity

For European countries only

The EC declaration of conformity is included as Annex A to this instruction manual.

SAFETY WARNINGS

General power tool safety warnings

⚠ WARNING: Read all safety warnings, instructions, illustrations and specifications provided with this power tool. Failure to follow all instructions listed below may result in electric shock, fire and/or serious injury.

Save all warnings and instructions for future reference.

The term "power tool" in the warnings refers to your mains-operated (corded) power tool or battery-operated (cordless) power tool.

Cordless Lawn Mower Safety Warnings

1. **Do not use the lawnmower in bad weather conditions, especially when there is a risk of lightning.** This decreases the risk of being struck by lightning.
2. **Thoroughly inspect the area for wildlife where the lawnmower is to be used.** Wildlife may be injured by the lawnmower during operation.
3. **Thoroughly inspect the area where the lawnmower is to be used and remove all stones, sticks, wires, bones, and other foreign objects.** Thrown objects can cause personal injury.

4. **Before using the lawnmower, always visually inspect to see that the blade and the blade assembly are not worn or damaged.** Worn or damaged parts increase the risk of injury.
5. **Check the grass catcher frequently for wear or deterioration.** A worn or damaged grass catcher may increase the risk of personal injury.
6. **Keep guards in place. Guards must be in working order and be properly mounted.** A guard that is loose, damaged, or is not functioning correctly may result in personal injury.
7. **Keep all cooling air inlets clear of debris.** Blocked air inlets and debris may result in overheating or risk of fire.
8. **While operating the lawnmower, always wear non-slip and protective footwear. Do not operate the lawnmower when barefoot or wearing open sandals.** This reduces the chance of injury to the feet from contact with the moving blade.
9. **While operating the lawnmower, always wear long trousers.** Exposed skin increases the likelihood of injury from thrown objects.
10. **Do not operate the lawnmower in wet grass. Walk, never run.** This reduces the risk of slipping and falling which may result in personal injury.
11. **Do not operate the lawnmower on excessively steep slopes.** This reduces the risk of loss of control, slipping and falling which may result in personal injury.
12. **When working on slopes, always be sure of your footing, always work across the face of slopes, never up or down and exercise extreme caution when changing direction.** This reduces the risk of loss of control, slipping and falling which may result in personal injury.
13. **Use extreme caution when reversing or pulling the lawnmower towards you. Always be aware of your surroundings.** This reduces the risk of tripping during operation.
14. **Do not touch blades and other hazardous moving parts while they are still in motion.** This reduces the risk of injury from moving parts.
15. **When clearing jammed material or cleaning the lawnmower, make sure all power switches are off and the battery pack is disconnected.** Unexpected operation of the lawnmower may result in serious personal injury.

SAVE THESE INSTRUCTIONS.

⚠ WARNING: DO NOT let comfort or familiarity with product (gained from repeated use) replace strict adherence to safety rules for the subject product.

MISUSE or failure to follow the safety rules stated in this instruction manual may cause serious personal injury.

IMPORTANT SAFETY INSTRUCTIONS

⚠ WARNING: Read all safety warnings and all instructions. Failure to follow the warnings and instructions may result in electric shock, fire and/or serious injury.

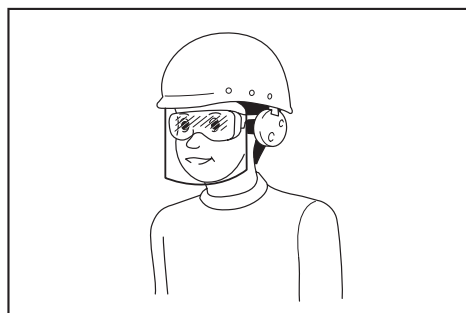
Save all warnings and instructions for future reference.

Training

1. **Read the instructions carefully. Be familiar with the controls and the proper use of the mower.**
2. **Never allow children or people unfamiliar with these instructions to use the mower. Local regulations can restrict the age of the operator.**
3. **Never operate the mower while people, especially children, or pets are nearby.**
4. **Keep in mind that the operator or user is responsible for accidents or hazards occurring to other people or their property.**
5. **Children should be supervised to ensure that they do not play with the mower.**
6. **Physical condition - Do not operate mower while under the influence of drugs, alcohol, or any medication.**

Preparation

1. **While operating the mower, always wear substantial footwear and long trousers. Do not operate the mower when barefoot or wearing open sandals. Avoid wearing clothing or jewelry that is loose fitting or that has hanging cords or ties. They can be caught in moving parts.**
2. **Before use, always visually inspect the mower for damaged, missing or misplaced guards or shields.**
3. **Be sure the area is clear of other people before mowing. Stop mower if anyone enters the area.**
4. **Do not insert the lock key into mower until it is ready to be used.**
5. **Always wear protective goggles to protect your eyes from injury when using power tools. The goggles must comply with ANSI Z87.1 in the USA, EN 166 in Europe, or AS/NZS 1336 in Australia/New Zealand. In Australia/New Zealand, it is legally required to wear a face shield to protect your face, too.**



It is an employer's responsibility to enforce the use of appropriate safety protective equipments by the tool operators and by other persons in the immediate working area.

6. **Check the blades or blade bolts carefully for cracks or damage before operation. Replace cracked or damaged blades or blade bolts immediately.**

7. **Remove foreign matters such as rocks, wire, bottles, bones and large sticks from the work area before mowing to prevent personal injury or damage to the mower.**
8. **Objects struck by the mower blade can cause severe injuries to persons. The lawn should always be carefully examined and cleared of all objects prior to each mowing.**
9. **Watch for holes, ruts, bumps, rocks, or other hidden objects.** Uneven terrain could cause a slip and fall accident. Tall grass can hide obstacles.
10. **Use personal protective equipment. Always wear eye protection.** Protective equipment such as a dust mask, non-skid safety shoes, hard hat or hearing protection used for appropriate conditions will reduce personal injuries.

Operation

1. **Do not overreach. Keep the balance at all times. Always be sure of the footing on slopes. Walk, never run.**
2. **Stop the mower and remove the lock key, and make sure that all moving parts have come to a complete stop:**
 - whenever you leave the mower,
 - before clearing blockages or unclogging chute,
 - before checking, cleaning or working on the mower,
 - after striking a foreign object. Inspect the mower for damage and make repairs before restarting and operating the mower,
 - whenever the mower starts vibrating abnormally.
3. **Never operate the mower with defective guards or shields, or without safety devices, for example deflectors and/or grass basket, in place.**
4. **Avoid using the mower in bad weather conditions especially when there is a risk of lightning.**
5. **Wear eye protection and stout shoes at all times while operating the mower.**
6. **Operate the mower only in daylight or in good artificial light.**
7. **Switch on the mower carefully according to instructions and with feet well away from the blade(s).**
8. **Take care against injury to feet and hands from the mower blades.**
9. **Always ensure that the ventilation openings are kept clear of debris.**
10. **Mow across the face of slopes, never up and down. Exercise extreme caution when changing direction on slopes. Do not mow excessively steep slopes.**
11. **Use extreme caution when reversing or pulling the mower towards you.**
12. **Stop the blade(s) if the mower has to be tilted for transportation when crossing surfaces other than grass, and when transporting the mower to and from the area to be used.**
13. **Do not tilt the mower when switching on the motor, except if the mower has to be tilted for starting. In this case, do not tilt it more than absolutely necessary and lift only the part, which is away from the operator. Always ensure that both hands are in the operating position before returning the mower to the ground.**
14. **Do not put hands or feet near or under rotating parts. Keep clear of the discharge opening at all times.**
15. **Do not transport the mower while the mower is turned on.**
16. **Avoid operating the mower in wet grass.**
17. **Always keep a firm hold on the handle.**
18. **Don't grasp the exposed cutting blades or cutting edges when picking up or holding the mower.**
19. **Keep hands and feet away from rotating blades. Caution - Blades coast after the mower is switched off.**
20. **Stop operation immediately if you notice anything unusual. Switch off the mower and remove the lock key. Then inspect the mower.**
21. **Never attempt to make cutting height adjustments while mower is running if the mower has cutting height adjustment feature.**
22. **Release switch lever and wait for blade rotation to stop before crossing driveways, walks, roads, and any gravel-covered areas. Also remove the lock key if you leave the mower, reach to pick up or remove something out of your way, or for any other reason that may distract you from what you are doing.**
23. **If the mower strikes a foreign object, follow these steps:**
 - Stop the mower, release the switch lever and wait until the blade comes to a complete stop.
 - Remove the lock key and the battery cartridge.
 - Thoroughly inspect the mower for any damage.
 - Replace the blade if it is damaged in any way. Repair any damage before restarting and continuing to operate the mower.
24. **Do not start the mower when standing in front of the discharge opening.**
25. **If the mower starts to vibrate abnormally (check immediately)**
 - inspect for damage,
 - replace or repair any damaged parts,
 - check for and tighten any loose parts.
26. **Never direct discharged material toward anyone. Avoid discharging material against a wall or obstruction. Material may ricochet back toward the operator. Stop the blade when crossing gravel surfaces.**
27. **Do not pull the mower backwards unless absolutely necessary.** When you are compelled to back the mower from a fence or other similar obstruction, look down and behind before and while moving backwards.
28. **Shut the motor off and wait until the blade comes to a complete stop before removing the grass catcher.** Beware that the blades coast after turn off.
29. **When you use the machine on muddy ground, wet slope, or slippery place, pay attention to your footing.**
30. **Do not submerge the machine into a puddle.**
31. **When operating the machine, pay attention to piping and wiring.**

Maintenance and storage

1. **Replace worn or damaged parts for safety.** Use only genuine replacement parts and accessories.
2. **Inspect and maintain the mower regularly.**
3. **When not in use, store the mower out of the reach of children.**
4. **Keep all nuts, bolts, and screws tight to be sure the equipment is in safe working condition.**
5. **Check the grass basket frequently for wear or deterioration.** For storage, always make sure the grass basket is empty. Replace a worn grass basket with a new factory replacement for safety.
6. **Use only the manufacturer genuine blades specified in this manual.**
7. **Be careful during adjustment of the mower to prevent entrapment of the fingers between moving blades and fixed parts of the mower.**
8. **Check the blade mounting bolt at frequent intervals for proper tightness.**
9. **Always allow the mower to cool down before storing.**
10. **When servicing the blades be aware that, even though the power source is switched off, the blades can still be moved.**
11. **Never remove or tamper with safety devices.** Check their proper operation regularly. Never do anything to interfere with the intended function of a safety device or to reduce the protection provided by a safety device.
12. **Do not leave the machine unattended outdoors in the rain.**
13. **When storing the machine, avoid direct sunlight and rain, and store it in a place where it does not get hot or humid.**

Battery tool use and care

1. **Recharge only with the charger specified by the manufacturer.** A charger that is suitable for one type of battery pack may create a risk of fire when used with another battery pack.
2. **Use power tools only with specifically designated battery packs.** Use of any other battery packs may create a risk of injury and fire.
3. **When battery pack is not in use, keep it away from other metal objects, like paper clips, coins, keys, nails, screws or other small metal objects, that can make a connection from one terminal to another.** Shorting the battery terminals together may cause burns or a fire.
4. **Under abusive conditions, liquid may be ejected from the battery; avoid contact.** If contact accidentally occurs, flush with water. If liquid contacts eyes, additionally seek medical help. Liquid ejected from the battery may cause irritation or burns.
5. **Do not use a battery pack or tool that is damaged or modified.** Damaged or modified batteries may exhibit unpredictable behaviour resulting in fire, explosion or risk of injury.
6. **Do not expose a battery pack or tool to fire or excessive temperature.** Exposure to fire or temperature above 130 °C may cause explosion.

7. **Follow all charging instructions and do not charge the battery pack or tool outside the temperature range specified in the instructions.** Charging improperly or at temperatures outside the specified range may damage the battery and increase the risk of fire.

Electrical and battery safety

1. **Do not dispose of the battery(ies) in a fire.** The cell may explode. Check with local codes for possible special disposal instructions.
2. **Do not open or mutilate the battery(ies).** Released electrolyte is corrosive and may cause damage to the eyes or skin. It may be toxic if swallowed.
3. **Do not charge battery in rain, or in wet locations.**
4. **Do not charge the battery outdoors.**
5. **Do not handle charger, including charger plug, and charger terminals with wet hands.**
6. **Do not replace the battery in the rain.**
7. **Do not wet the terminal of battery with liquid such as water, or submerge the battery. Do not leave the battery in the rain, nor charge, use, or store the battery in a damp or wet place.** If the terminal gets wet or liquid enters inside of battery, the battery may be short circuited and there is a risk of overheat, fire, or explosion.
8. **After removing the battery from the machine or charger, be sure to attach the battery cover to the battery and store it in a dry place.**
9. **Do not replace the battery with wet hands.**
10. **Avoid dangerous environment. Don't use the machine in dump or wet locations or expose it to rain.** Water entering the machine will increase the risk of electric shock.
11. **If the battery cartridge gets wet, drain the water inside and then wipe it with a dry cloth. Dry the battery cartridge completely in a dry place before use.**

Service

1. **Have your power tool serviced by a qualified repair person using only identical replacement parts.** This will ensure that the safety of the power tool is maintained.
2. **Never service damaged battery packs.** Service of battery packs should only be performed by the manufacturer or authorized service providers.

SAVE THESE INSTRUCTIONS.

⚠WARNING: DO NOT let comfort or familiarity with product (gained from repeated use) replace strict adherence to safety rules for the subject product.

MISUSE or failure to follow the safety rules stated in this instruction manual may cause serious personal injury.

Important safety instructions for battery cartridge

1. Before using battery cartridge, read all instructions and cautionary markings on (1) battery charger, (2) battery, and (3) product using battery.
2. Do not disassemble or tamper with the battery cartridge. It may result in a fire, excessive heat, or explosion.
3. If operating time has become excessively shorter, stop operating immediately. It may result in a risk of overheating, possible burns and even an explosion.
4. If electrolyte gets into your eyes, rinse them out with clear water and seek medical attention right away. It may result in loss of your eyesight.
5. Do not short the battery cartridge:

- (1) Do not touch the terminals with any conductive material.
- (2) Avoid storing battery cartridge in a container with other metal objects such as nails, coins, etc.
- (3) Do not expose battery cartridge to water or rain.

A battery short can cause a large current flow, overheating, possible burns and even a breakdown.

6. Do not store and use the tool and battery cartridge in locations where the temperature may reach or exceed 50 °C (122 °F).
7. Do not incinerate the battery cartridge even if it is severely damaged or is completely worn out. The battery cartridge can explode in a fire.
8. Do not nail, cut, crush, throw, drop the battery cartridge, or hit against a hard object to the battery cartridge. Such conduct may result in a fire, excessive heat, or explosion.
9. Do not use a damaged battery.
10. The contained lithium-ion batteries are subject to the Dangerous Goods Legislation requirements. For commercial transports e.g. by third parties, forwarding agents, special requirement on packaging and labeling must be observed. For preparation of the item being shipped, consult an expert for hazardous material is required. Please also observe possibly more detailed national regulations. Tape or mask off open contacts and pack up the battery in such a manner that it cannot move around in the packaging.
11. When disposing the battery cartridge, remove it from the tool and dispose of it in a safe place. Follow your local regulations relating to disposal of battery.
12. Use the batteries only with the products specified by Makita. Installing the batteries to non-compliant products may result in a fire, excessive heat, explosion, or leak of electrolyte.
13. If the tool is not used for a long period of time, the battery must be removed from the tool.
14. During and after use, the battery cartridge may take on heat which can cause burns or low temperature burns. Pay attention to the handling of hot battery cartridges.

15. Do not touch the terminal of the tool immediately after use as it may get hot enough to cause burns.
16. Do not allow chips, dust, or soil stuck into the terminals, holes, and grooves of the battery cartridge. It may cause heating, catching fire, burst and malfunction of the tool or battery cartridge, resulting in burns or personal injury.
17. Unless the tool supports the use near high-voltage electrical power lines, do not use the battery cartridge near high-voltage electrical power lines. It may result in a malfunction or breakdown of the tool or battery cartridge.
18. Keep the battery away from children.

SAVE THESE INSTRUCTIONS.

CAUTION: Only use genuine Makita batteries. Use of non-genuine Makita batteries, or batteries that have been altered, may result in the battery bursting causing fires, personal injury and damage. It will also void the Makita warranty for the Makita tool and charger.

Tips for maintaining maximum battery life

1. Charge the battery cartridge before completely discharged. Always stop tool operation and charge the battery cartridge when you notice less tool power.
2. Never recharge a fully charged battery cartridge. Overcharging shortens the battery service life.
3. Charge the battery cartridge with room temperature at 10 °C - 40 °C (50 °F - 104 °F). Let a hot battery cartridge cool down before charging it.
4. When not using the battery cartridge, remove it from the tool or the charger.
5. Charge the battery cartridge if you do not use it for a long period (more than six months).

ASSEMBLY

WARNING: Always be sure that the lock key and battery cartridge are removed before carrying out any work on the mower. Failure to remove the lock key and the battery cartridge may result in serious personal injury from accidental start-up.

WARNING: Never start the mower unless it is completely assembled. Operation of the machine in a partially assembled state may result in serious personal injury from accidental start-up.

Installing the handle

NOTICE: When installing the handles, be careful not to pinch the cord between the handles. If the cord is damaged, the mower switch may not work.

1. Align the hole in the lower handle with the hole in the upper handle, then insert the bolt from outside, and then tighten the thumb nut from inside. Perform the same procedure on the other side.

For DLM481/DLM539

- **Fig.1:** 1. Bolt 2. Thumb nut 3. Lower handle
4. Upper handle

For DLM480/DLM538

- **Fig.2:** 1. Bolt 2. Thumb nut 3. Lower handle
4. Upper handle

2. Turn the knob 90° while pulling the knob on the lower handle to release the locking pin. Perform the same procedure on the other side. Raise the handle, and then turn the knob on both sides 90°. Make sure that the knobs are securely fixed.

- **Fig.3:** 1. Knob

NOTE: Supporting the handle makes it easier to release the locking pin when pulling the knob.

Removing the mulching plug

1. Open the rear cover.
- **Fig.4:** 1. Rear cover
2. Lift up the mulching plug slightly, and then remove it.
- **Fig.5:** 1. Mulching plug

Assembling the grass basket

1. Pick up the upper clip of the grass basket.
- **Fig.6:** 1. Upper clip
2. Insert the frame into the grass basket as far as it will go while holding the handle of the frame.
- **Fig.7:** 1. Handle

NOTICE: Do not insert the handle into the grass basket. Be sure to insert the frame along the stitch of the grass basket.

3. Make sure that there is no sagging on the corners of the grass basket.
- **Fig.8**
4. Open the upper clip, and attach it to the frame.
- **Fig.9**
5. Attach all the other clips as shown in the figure. Make sure that all the clips are securely attached to the frame.
- **Fig.10:** 1. Clip

Installing or removing the grass basket

To install the grass basket, follow the steps below.

1. Open the rear cover.
- **Fig.11:** 1. Rear cover
2. Hold the handle of the grass basket, and then hook the grass basket on the rod of the mower body as shown in the figure.
- **Fig.12:** 1. Grass basket 2. Handle 3. Rod

To remove the grass basket, open the rear cover, and then remove the grass basket by holding the handle.

Attaching the mulching plug

1. Open the rear cover, and then remove the grass basket.
- **Fig.13:** 1. Rear cover 2. Grass basket
2. Attach the mulching plug by pushing it as far as it will go so that the protrusions on the mulching plug fit into the holes on the machine.
- **Fig.14:** 1. Mulching plug 2. Protrusion

FUNCTIONAL DESCRIPTION

Installing or removing battery cartridge

CAUTION: Always switch off the machine before installing or removing of the battery cartridge.

CAUTION: Hold the machine and the battery cartridge firmly when installing or removing battery cartridge. Failure to hold the machine and the battery cartridge firmly may cause them to slip off your hands and result in damage to the machine and battery cartridge and a personal injury.

CAUTION: Make sure that you lock the battery cover before use. Otherwise, mud, dirt, or water may cause damage to the product or the battery cartridge.

CAUTION: Always install the battery cartridge fully until the red indicator cannot be seen. If not, it may accidentally fall out of the machine, causing injury to you or someone around you.

CAUTION: Do not install the battery cartridge forcibly. If the cartridge does not slide in easily, it is not being inserted correctly.

CAUTION: Hold the battery cover firmly when installing or removing the battery cartridge.

NOTE: The machine does not work with only one battery cartridge.

To install the battery cartridge;

1. Pull up the locking lever, and then open the battery cover.
- **Fig.15:** 1. Battery cover 2. Locking lever
2. Align the tongue on the battery cartridge with the slot on the machine, and then slide the cartridge until it locks in place with a little click.
- **Fig.16:** 1. Battery cartridge
3. Insert the lock key in the place shown in the figure as far as it will go.
- **Fig.17:** 1. Lock key

4. Close the battery cover and push it until it is latched with the locking lever.

To remove the battery cartridge;

1. Pull up the locking lever and open the battery cover.
2. Pull out the battery cartridge from the machine while sliding the button on the front of the cartridge.
3. Pull out the lock key.
4. Close the battery cover.

Machine / battery protection system

The machine is equipped with a machine/battery protection system. This system automatically cuts off power to the motor to extend machine and battery life. The machine will automatically stop during operation if the machine or battery is placed under one of the following conditions:

Overload protection

When the battery is operated in a manner that causes it to draw an abnormally high current, the machine automatically stops and the main power lamp blinks in green. In this situation, turn the machine off and stop the application that caused the machine to become overloaded. Then turn the machine on to restart.

Overheat protection

When the machine or battery is overheated, the machine stops automatically and the main power lamp lights up in red. In this case, let the machine and battery cool before turning the machine on again.

Overdischarge protection

When the battery capacity is not enough, the machine stops automatically and the main power lamp blinks in red. In this case, remove the battery from the machine and charge the battery cartridges or change the battery cartridges to fully charged ones.

Protections against other causes

Protection system is also designed for other causes that could damage the machine and allows the machine to stop automatically. Take all the following steps to clear the causes, when the machine has been brought to a temporary halt or stop in operation.

1. Turn the machine off, and then turn it on again to restart.
2. Charge the battery(ies) or replace it/them with recharged battery(ies).
3. Let the machine and battery(ies) cool down.

If no improvement can be found by restoring protection system, then contact your local Makita Service Center.

NOTICE: If the machine stops due to a cause not described above, refer to the section for troubleshooting.

Indicating the remaining battery capacity

► **Fig.18:** 1. Battery indicator








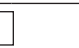






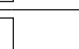

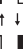

When the remaining battery capacity gets low, the battery indicator blinks on the applicable battery side. By further use, the machine stops and the battery indicator lights up. In this situation, charge the battery cartridge.

Indicating the remaining battery capacity

Only for battery cartridges with the indicator

► **Fig.19:** 1. Indicator lamps 2. Check button

Press the check button on the battery cartridge to indicate the remaining battery capacity. The indicator lamps light up for a few seconds.

Indicator lamps			Remaining capacity
 Lighted	 Off	 Blinking	
			75% to 100%
			50% to 75%
			25% to 50%
			0% to 25%
			Charge the battery.
			The battery may have malfunctioned.
			

NOTE: Depending on the conditions of use and the ambient temperature, the indication may differ slightly from the actual capacity.

NOTE: The first (far left) indicator lamp will blink when the battery protection system works.

Main power switch

WARNING: Always turn off the main power switch when not in use.

► **Fig.20:** 1. Main power lamp 2. Main power switch

To turn on the machine, press the main power switch. The main power lamp lights up in green. To turn off the machine, press the main power switch again.

NOTE: If the main power lamp lights up in red or blinks in red or green, refer to the instructions for machine/battery protection system.

NOTE: This machine employs the auto power-off function. To avoid unintentional start up, the main power switch will automatically shut down when the switch lever and drive lever (if equipped) are not pulled for a certain period after the main power switch is turned on.

Switch action

⚠ WARNING: Before installing the battery cartridge, always check to see that the switch lever actuates properly and returns to the original position when released. Operating the machine with a switch that does not actuate properly can lead to loss of control and serious personal injury.

NOTE: The mower does not start without pressing the switch button even the switch lever is pulled.

NOTE: Mower may not start due to the overload when you try to mow long or dense grass at a time. Increase the mowing height in this case.

This mower is equipped with the lock key and handle switch. If you notice anything unusual with either of the lock key or switch, stop the operation immediately and have them checked by your nearest Makita Authorized Service Center.

For DLM481/DLM539

1. Install the battery cartridges. Insert the lock key, and then close the battery cover.
2. Press the main power switch.
3. Pull the switch lever toward you while holding down the switch button. Release the switch button as soon as the motor starts running.
▶ **Fig.21:** 1. Switch button 2. Switch lever
4. While holding the switch lever, push the drive lever forward and hold it to drive the rear wheels.
▶ **Fig.22:** 1. Drive lever

NOTE: You can drive the rear wheels by pushing the drive lever forward and hold it without pulling the switch lever.

5. Release the drive lever and the switch lever to stop the machine.

For DLM480/DLM538

1. Install the battery cartridges. Insert the lock key, and then close the battery cover.
2. Press the main power switch.
3. Pull the switch lever toward you while holding down the switch button. Release the switch button as soon as the motor starts running.
▶ **Fig.23:** 1. Switch button 2. Switch lever
4. Release the switch lever to stop the motor.

Adjusting the mowing height

⚠ WARNING: Never put your hand or leg under the mower body when adjusting the mowing height.

⚠ WARNING: Always make sure that the lever fits in the groove properly before operation.

The mowing height can be adjusted in the range of between 20 mm and 100 mm.

Remove the lock key, and then pull the mowing height adjusting lever outward of the mower body and move it to your desired mowing height.

- ▶ **Fig.24:** 1. Mowing height adjusting lever

The table below shows the relationship between the number on the mower body and the approximate mowing height.

Number	Mowing height
1	20 mm
2	26 mm
3	32 mm
4	40 mm
5	49 mm
6	59 mm
7	70 mm
8	81 mm
9	92 mm
10	100 mm

Hold the lower handle with one hand, and then move the mowing height adjusting lever with the other hand.

- ▶ **Fig.25:** 1. Mowing height adjusting lever 2. Lower handle

NOTE: The mowing height figures should be used just as a guideline. Depending on the conditions of the lawn or the ground, the actual lawn height may become slightly different from the set height.

NOTE: Try a test mowing of grass in a less conspicuous place to get your desired height.

Grass level indicator

Grass level indicator shows the volume of mowed grass. When the grass basket is not full, the indicator floats while the blades are running.

- ▶ **Fig.26:** 1. Grass level indicator

When the grass basket is almost full, the indicator does not float while the blades are running. In this case, stop the operation immediately and empty the basket.

- ▶ **Fig.27:** 1. Grass level indicator

NOTE: This indicator is a rough guide. Depending on the conditions of inside of the basket, this indicator may not work properly.

Adjusting the handle height

The handle height can be adjusted in two levels.

1. Hold the lower handle, and then turn the knob 90° while pulling the knob on the lower handle to release the locking pin. Perform the same procedure on the other side.

- ▶ **Fig.28:** 1. Lower handle 2. Knob

NOTE: Supporting the handle makes it easier to release the locking pin when pulling the knob.

2. Adjust the handle height, and then turn the knob on both sides 90°. Make sure that the knobs are securely fixed.

- ▶ **Fig.29:** 1. Knob

Adjusting the traveling speed

For DLM481/DLM539

► Fig.30: 1. Speed lever

The traveling speed can be adjusted with the speed lever. To decrease the speed, pull the lever toward you, and to increase the speed, turn the lever forward.

Using mulching plug

The mulching plug allows you to return the cut grass to the ground without gathering the cut grass in the grass basket. When you operate the machine with the mulching plug, be sure to remove the grass basket.

NOTICE: When using the machine with the mulching plug, make sure that the total length of grass after cutting is 30 mm or more, and the cut length is 15 mm or less.

► Fig.31: (1) 30 mm or more (2) 15 mm or less

Using the rear discharge

Using the rear discharge allows you to discharge the cut grass to the ground from the rear side of the machine without gathering the cut grass in the grass basket. When you operate the machine using the rear discharge, be sure to remove the grass basket and mulching plug, and close the rear cover.

Electronic function

The machine is equipped with the electronic functions for easy operation.

- Soft start at driving
The soft-start function minimizes start-up shock, and makes the machine start smoothly.
- Electric brake
This machine is equipped with an electric brake. If the machine consistently fails to quickly stop the mower blades after releasing the switch lever, have the machine serviced at Makita Authorized Service Center.

OPERATION

Mowing

▲WARNING: Before mowing, clear away sticks and stones from mowing area. Furthermore, clear away any weeds from mowing area in advance.

▲WARNING: Always wear the safety goggles or safety glasses with side shields when operating the mower.

▲CAUTION: If the cut grass or foreign object blocks up inside of the mower body, be sure to remove the lock key and battery cartridge and wear gloves before removing the grass or foreign object.

NOTICE: Use this machine for mowing lawn only. Do not mow weeds with this machine.

► Fig.32

Firmly hold the handle with both hands when mowing. The mowing speed guideline is approximately 7 to 14 meters per 10 seconds.

► Fig.33

NOTE: When cutting long lawn or dense lawn, if the unevenness in the length of lawn or poor finish is found after mowing, or decrease of the motor speed is found during mowing, decrease the mowing speed lower than recommended in this manual, or raise the mowing height.

The center lines of the front wheels are guidelines to mowing width. Using the center lines as guidelines, mow in strips. Overlap by one half to one third the previous strip to mow the lawn evenly.

► Fig.34: 1. Mowing width 2. Overlapping area 3. Center line

Change the mowing direction each time to prevent the grass grain pattern from forming in just one direction.

► Fig.35

Periodically check the grass basket for mowed grass. Empty the grass before it becomes full. Before every periodical check, be sure to stop the mower then remove the lock key and the battery cartridge.

NOTICE: Using the mower with the grass basket full prevents smooth blade rotation and places an extra load on the motor, which may cause breakdown.

Mowing long lawn

Do not try to cut long lawn all at once. Instead, mow the lawn in steps. Leave a day or two between mowings until the lawn becomes evenly short.

► Fig.36

NOTE: Mowing long lawn to short length all at once may cause the lawn to die. The cut lawn may also block up inside of the mower body.

NOTE: If the unevenness in the length of lawn or poor finish is found after mowing, or decrease of the motor speed is found during mowing, decrease the mowing speed, or raise the mowing height.

Emptying the grass basket

▲WARNING: To reduce a risk of accident, regularly check the grass basket for any damage or weakened strength. Replace the grass basket if necessary.

1. Release the switch lever and drive lever (for DLM481/DLM539), or release the switch lever (for DLM480/DLM538).

2. Remove the lock key.

3. Open the rear cover and take out the grass basket by holding the handle.

► Fig.37: 1. Rear cover 2. Handle 3. Grass basket

4. Empty the grass basket.

MAINTENANCE

⚠ WARNING: Always be sure that the lock key and battery cartridge are removed from the mower before storing or carrying the mower or attempting to perform inspection or maintenance.

⚠ WARNING: Always remove the lock key when the mower is not in use. Store the lock key in a safe place out of reach of children.

⚠ WARNING: Wear gloves when performing inspection or maintenance.

⚠ WARNING: Always wear the safety goggles or safety glasses with side shields when performing inspection or maintenance.

NOTICE: Never use gasoline, benzine, thinner, alcohol or the like. Discoloration, deformation or cracks may result.

To maintain product SAFETY and RELIABILITY, repairs, any other maintenance or adjustment should be performed by Makita Authorized or Factory Service Centers, always using Makita replacement parts.

Maintenance

1. Remove the lock key and battery cartridges, and then close the battery cover.
2. Put the mower on its side. Clean grass clippings accumulated on the underside of mower deck.
3. Pour water toward the bottom of the machine to which the blade is attached.

NOTICE: Do not wash the machine with high pressure water.

4. Check all nuts, bolts, screws, etc. for tightness.
5. Inspect moving parts for damage, breakage, and wear. Damaged or missing parts should be repaired or replaced.
6. Store the mower in a safe place out of the reach of children.

For DLM481/DLM539

NOTICE: Do not pour water to the area shown in the figure. Pouring water to the motor unit may cause a malfunction of the machine.

- Fig.38: 1. Area where water should not be poured

For DLM481/DLM539

NOTICE: Do not pour water on the machine while the machine is in the upright position as shown in the figure. If the machine is in the upright position, water may pour down the motor unit, and cause a malfunction of the machine.

- Fig.39

Carrying the mower

⚠ CAUTION: Before carrying the mower, make sure that the battery cartridge and lock key are removed.

When carrying the mower, hold the rear grip and the lower holding part at the front of the machine with two people as shown in the figure.

- Fig.40: 1. Lower holding part 2. Rear grip

Storing

⚠ CAUTION: When putting the machine in the upright position, place the machine on a flat and stable surface. If the machine is placed on an unstable surface, the machine may fall over and cause an injury.

Store mower indoors in a cool, dry and locked place. Don't store the mower and charger in locations where the temperature may reach or exceed 40 °C.

1. Remove the battery cartridge and lock key.
2. Turn the knob 90° while pulling the knob on the lower handle to release the locking pin. Perform the same procedure on the other side, and then fold the handle.

- Fig.41: 1. Knob

NOTE: Supporting the handle makes it easier to release the locking pin when pulling the knob.

3. Turn the knob on both sides 90°. Make sure that the knobs are securely fixed.

For DLM481/DLM539

- Fig.42: 1. Knob

For DLM480/DLM538

- Fig.43: 1. Knob

NOTICE: Be careful not to pinch the cords when folding the handle.

4. Loosen the thumb nuts on both sides, and then fold the upper handle as shown in the figure.

- Fig.44: 1. Thumb nut 2. Upper handle

5. Place the machine in the upright position.

NOTE: When putting the mower in the upright position, do not hold the handle only, but hold the mower body and handle.

6. Store the grass basket as shown in the figure.

- Fig.45: 1. Grass basket

- Fig.46: 1. Grass basket

Removing or installing the mower blade

⚠ WARNING: The blade coasts for a few seconds after releasing the switch. Do not start any operation until the blade comes to a complete stop.

⚠ WARNING: Always remove the lock key and battery cartridge when removing or installing the blade. Failure to remove the lock key and battery cartridge may cause a serious injury.

⚠ WARNING: Always wear gloves when handling the blade.

Removing the mower blade

1. Put the mower on its side so that the mowing height adjusting lever comes to the lower side.
2. To lock the blade, insert the pin into the hole on the mower body as far as it will go.
3. Turn the bolt counterclockwise with box wrench 17.

► **Fig.47:** 1. Mower blade 2. Pin 3. Box wrench

4. Remove the bolt, and then mower blade.
- **Fig.48:** 1. Blade support 2. Mower blade 3. Bolt 4. Protrusion

NOTICE: When installing the mower blade, make sure that the protrusions on the blade support fit in the holes in the mower blade.

Installing the mower blade

⚠WARNING: Install the mower blade carefully. It has a top/bottom facing.

⚠WARNING: Tighten the bolt clockwise firmly to secure the blade.

⚠WARNING: Make sure that the mower blade and all the fixing parts are installed correctly and tightened securely.

⚠WARNING: When you replace the blades, always follow the instructions provided in this manual.

NOTICE: After installing the mower blades, remove the pin from the mower body.

To install the mower blades, perform the removal procedure in reverse.

TROUBLESHOOTING

Before asking for repairs, conduct your own inspection first. If you find a problem that is not explained in the manual, do not attempt to disassemble the machine. Instead, ask Makita Authorized Service Centers, always using Makita replacement parts for repairs.

State of abnormality	Probable cause (malfunction)	Remedy
Mower does not start.	Two battery cartridges are not installed.	Install two charged battery cartridges.
	Battery problem (under voltage)	Recharge the battery cartridge. If recharging is not effective, replace battery cartridge.
	The lock key is not inserted.	Insert the lock key.
Motor stops running after a little use.	Battery's charge level is low.	Recharge the battery cartridge. If recharging is not effective, replace battery cartridge.
	Cutting height is too low.	Increase the cutting height.
	Cut grass is clogged in the mower.	Remove the clogged grass from the mower.
Motor does not reach maximum RPM.	Battery cartridge is installed improperly.	Install the battery cartridge as described in this manual.
	Battery power is dropping.	Recharge the battery cartridge. If recharging is not effective, replace battery cartridge.
	The drive system does not work correctly.	Ask your local authorized service center for repair.
Mower blade does not rotate: ⇒ stop the mower immediately!	Foreign object such as a branch is jammed near the blade.	Remove the foreign object.
	The drive system does not work correctly.	Ask your local authorized service center for repair.
Abnormal vibration: ⇒ stop the mower immediately!	Blade is imbalanced, excessively or unevenly worn.	Replace the blade.

OPTIONAL ACCESSORIES

⚠CAUTION: These accessories or attachments are recommended for use with your Makita machine specified in this manual. The use of any other accessories or attachments might present a risk of injury to persons. Only use accessory or attachment for its stated purpose.

- Mower blade
- Makita genuine battery and charger

NOTE: Some items in the list may be included in the product package as standard accessories. They may differ from country to country.

If you need any assistance for more details regarding these accessories, ask your local Makita Service Center.

DANE TECHNICZNE

Model:		DLM480	DLM481	DLM538	DLM539
Szerokość koszenia (średnica noża)		480 mm		534 mm	
Prędkość bez obciążenia		3 100 min ⁻¹		3 000 min ⁻¹	
Numer części zamiennego noża kosiarki	Prosty nóż kosiarki	191V97-3		191V96-5 / 191W87-2	
	Nóż do mulczowania	191Y64-6		191Y65-4	
Wymiary (dług. x szer. x wys.)	podczas pracy	D: 1 690 mm do 1 740 mm Sz: 530 mm W: 930 mm do 1 060 mm		D: 1 810 mm do 1 870 mm Sz: 580 mm W: 920 mm do 1 040 mm	
	podczas przechowywania (bez kosza na trawę)	580 mm x 530 mm x 870 mm		610 mm x 580 mm x 925 mm	
Prędkość jazdy		–	2,5–5,0 km/h	–	2,5–5,0 km/h
Napięcie znamionowe		Prąd stały 36 V			
Masa netto		24,5–26,8 kg	27,0–29,3 kg	25,5–28,0 kg	27,9–30,4 kg
Stopień ochrony		IPX4			

- W związku ze stale prowadzonym przez naszą firmę programem badawczo-rozwojowym niniejsze dane mogą ulec zmianom bez wcześniejszego powiadomienia.
- Dane techniczne mogą różnić się w zależności od kraju.
- Masa może być różna w zależności od osprzętu, w tym akumulatora. W tabeli przedstawiona jest najlżejsza i najcięższa konfiguracja, zgodnie z procedurą EPTA 01/2014.

Kompatybilne akumulatory i ładowarki

Akumulator	BL1815N / BL1820B / BL1830B / BL1840B / BL1850B / BL1860B
Ładowarka	DC18RC / DC18RD / DC18RE / DC18SD / DC18SE / DC18SF / DC18SH / DC18WC






- Pewne z wymienionych powyżej akumulatorów i ładowarek mogą być niedostępne w regionie zamieszkania użytkownika.





⚠ OSTRZEŻENIE: Należy używać wyłącznie akumulatorów i ładowarek wymienionych powyżej. Używanie innych akumulatorów i ładowarek może stwarzać ryzyko wystąpienia obrażeń ciała lub pożaru.

⚠ OSTRZEŻENIE: Nie używać z tą maszyną przewodowych źródeł zasilania, takich jak adapter akumulatora lub przenośna jednostka zasilająca. Przewód takiego źródła zasilania może utrudniać pracę, a w konsekwencji może dojść do obrażeń ciała.

Symbole

Poniżej pokazano symbole, jakie mogą być zastosowane na urządzeniu. Przed rozpoczęciem użytkowania należy zapoznać się z ich znaczeniem.

	Zachować szczególną ostrożność.
	Przeczytać instrukcję obsługi.
	Niebezpieczeństwo; uważać na wyrzucane przedmioty.
	Minimalna odległość między narzędziem a osobami postronnymi musi wynosić co najmniej 15 m.
	Nigdy nie wkładać rąk ani stóp pod kosiarkę, w pobliżu noża kosiarki. Nóż kosiarki obracają się nawet po wyłączeniu silnika.

	Przed przystąpieniem do kontroli, regulacji, czyszczenia, naprawy, a także przed oddaleniem się od urządzenia lub jego schowaniem należy wyjąć kluczyk.
	Ostrzeżenie: Przed rozpoczęciem konserwacji należy odłączyć akumulator.
	Zagrożenie elektryczne. Kontakt z wodą może spowodować porażenie prądem elektrycznym.
	Nie polewać wodą.



Dotyczy tylko państw UE
Z uwagi na obecność w sprzęcie niebezpiecznych składników, zużyty sprzęt elektryczny, elektroniczny, akumulatory oraz baterie mogą powodować negatywny wpływ na środowisko i zdrowie ludzi. Nie wyrzucaj urządzeń elektrycznych, elektronicznych lub akumulatorów wraz z odpadami z gospodarstwa domowego! Zgodnie z Europejską Dyrektywą w sprawie zużytego sprzętu elektrycznego i elektronicznego oraz dotyczącą akumulatorów i baterii oraz zużytych akumulatorów i baterii, a także dostosowaniem ich do prawa krajowego, zużyte urządzenia elektryczne, elektroniczne, baterie i akumulatory, należy składować osobno i przekazywać do punktu selektywnej zbiórki odpadów komunalnych, działającego zgodnie z przepisami dotyczącymi ochrony środowiska.
Informuje o tym symbol przekreślonego kołowego kontenera na odpady umieszczony na sprzęcie.



Gwarantowany poziom mocy akustycznej zgodnie z dyrektywą UE w sprawie hałasu na zewnątrz.



Poziom mocy akustycznej zgodnie z australijskimi przepisami dot. redukcji hałasu dla Nowej Południowej Walii

Przeznaczenie

Maszyna ta jest przeznaczona do koszenia trawników.

Hałas

Typowy równoważny poziom dźwięku A określony w oparciu o normę EN60335-2-77:

Model DLM480

Poziom ciśnienia akustycznego (L_{pA}): 84 dB(A)
Poziom mocy akustycznej (L_{WA}): 92 dB (A)
Niepewność (K): 3 dB(A)

Model DLM481

Poziom ciśnienia akustycznego (L_{pA}): 84 dB(A)
Poziom mocy akustycznej (L_{WA}): 92 dB (A)
Niepewność (K): 3 dB(A)

Model DLM538

Poziom ciśnienia akustycznego (L_{pA}): 85 dB(A)
Poziom mocy akustycznej (L_{WA}): 96 dB (A)
Niepewność (K): 3 dB(A)

Model DLM539

Poziom ciśnienia akustycznego (L_{pA}): 85 dB(A)
Poziom mocy akustycznej (L_{WA}): 96 dB (A)
Niepewność (K): 3dB(A)

WSKAZÓWKA: Deklarowana wartość emisji hałasu została zmierzona zgodnie ze standardową metodą testową i można ją wykorzystać do porównywania narzędzi.

WSKAZÓWKA: Deklarowaną wartość emisji hałasu można także wykorzystać we wstępnej ocenie narażenia.

⚠️ OSTRZEŻENIE: Nosić ochronniki słuchu.

⚠️ OSTRZEŻENIE: Poziom hałasu wytwarzanego podczas rzeczywistego użytkowania elektronarzędzia może się różnić od wartości deklarowanej w zależności od sposobu użytkowania narzędzia, a w szczególności od rodzaju obrabianego elementu.

⚠️ OSTRZEŻENIE: W oparciu o szacowane narażenie w rzeczywistych warunkach użytkownika należy określić środki bezpieczeństwa w celu zapewnienia ochrony operatora (uwzględniając wszystkie elementy cyklu działania, tj. czas, kiedy narzędzie jest wyłączone i kiedy pracuje na biegu jałowym, a także czas, kiedy jest włączone).

Drgania

Całkowita wartość poziomu drgań (suma wektorów w 3 osiach) określona zgodnie z normą EN60335-2-77:

Model DLM480

Emisja drgań (a_h): 2,5 m/s² lub mniej
Niepewność (K): 1,5 m/s²

Model DLM481

Emisja drgań (a_h): 2,5 m/s² lub mniej
Niepewność (K): 1,5 m/s²

Model DLM538

Emisja drgań (a_h): 2,5 m/s² lub mniej
Niepewność (K): 1,5 m/s²

Model DLM539

Emisja drgań (a_h): 2,5 m/s² lub mniej
Niepewność (K): 1,5 m/s²

WSKAZÓWKA: Deklarowana wartość poziomu drgań została zmierzona zgodnie ze standardową metodą testową i można ją wykorzystać do porównywania narzędzi.

WSKAZÓWKA: Deklarowaną wartość poziomu drgań można także wykorzystać we wstępnej ocenie narażenia.

⚠️ OSTRZEŻENIE: Drgania wytwarzane podczas rzeczywistego użytkowania elektronarzędzia mogą się różnić od wartości deklarowanej w zależności od sposobu użytkowania narzędzia, a w szczególności od rodzaju obrabianego elementu.

⚠️ OSTRZEŻENIE: W oparciu o szacowane narażenie w rzeczywistych warunkach użytkownika należy określić środki bezpieczeństwa w celu zapewnienia ochrony operatora (uwzględniając wszystkie elementy cyklu działania, tj. czas, kiedy narzędzie jest wyłączone i kiedy pracuje na biegu jałowym, a także czas, kiedy jest włączone).

Deklaracja zgodności WE

Dotyczy tylko krajów europejskich

Deklaracja zgodności WE jest dołączona jako załącznik A do niniejszej instrukcji obsługi.

OSTRZEŻENIA DOTYCZĄCE BEZPIECZEŃSTWA

Ogólne zasady bezpiecznej eksploatacji elektronarzędzi

⚠️ OSTRZEŻENIE: Należy zapoznać się z ostrzeżeniami dotyczącymi bezpieczeństwa, instrukcjami, ilustracjami i danymi technicznymi dołączonymi do tego elektronarzędzia. Niezastosowanie się do podanych poniżej instrukcji może prowadzić do porażenia prądem, pożaru i/lub poważnych obrażeń ciała.

Wszystkie ostrzeżenia i instrukcje należy zachować do wykorzystania w przyszłości.

Pojęcie „elektonarzędzie”, występujące w wymienionych tu ostrzeżeniach, odnosi się do elektronarzędzia zasilanego z sieci elektrycznej (z przewodem zasilającym) lub do elektronarzędzia akumulatorowego (bez przewodu zasilającego).

Ostrzeżenia dotyczące bezpieczeństwa dla akumulatorowej kosiarki do trawy

1. Nie należy używać kosiarki do trawy przy złej pogodzie, w szczególności, jeśli istnieje ryzyko wyładowań atmosferycznych. Dzięki temu zmniejszy się ryzyko porażenia piorunem.
2. Należy dokładnie sprawdzić, czy w obszarze, w którym ma być używana kosiarka do trawy, nie ma dzikich zwierząt. Podczas pracy z użyciem kosiarki do trawy może dojść do obrażeń u dzikich zwierząt.
3. Należy dokładnie sprawdzić obszar, w którym ma być używana kosiarka do trawy i usunąć wszystkie kamienie, patyki, druty, kości i inne przedmioty. Wyrzucane przedmioty mogą spowodować obrażenia ciała.
4. Przed użyciem kosiarki zawsze należy wzrokowo sprawdzić, czy ostrze i zespół ostrzy nie są zużyte lub uszkodzone. Zużyte lub uszkodzone części zwiększają ryzyko obrażeń.
5. Regularnie sprawdzać chwytak trawy pod kątem zużycia lub uszkodzeń. Zużyty lub uszkodzony chwytak trawy może zwiększyć ryzyko obrażeń ciała.
6. Osłony powinny być założone. Osłony muszą być sprawne i muszą być prawidłowo zamontowane. Jeśli osłona jest luźna, została uszkodzona lub nie działa prawidłowo, może spowodować obrażenia ciała.
7. Dbać o to, by we wlotach powietrza chłodzącego nie gromadziły się odpadki. Zablockowane wloty powietrza i zanieczyszczenia mogą spowodować przegrzanie lub ryzyko pożaru.

8. Podczas użytkowania kosiarki do trawy należy zawsze nosić antypoślizgowe i ochronne obuwie. Nie wolno używać kosiarki do trawy bez założonego obuwia lub nosząc sandały. Zmniejsza to ryzyko obrażeń stóp na skutek kontaktu z ruchomym ostrzem.
9. Podczas użytkowania kosiarki do trawy zawsze należy nosić długie spodnie. Odsłonięta skóra zwiększa prawdopodobieństwo obrażeń spowodowanych przez wyrzucane przedmioty.
10. Unikać koszenia mokrej trawy. Podczas użytkowania urządzenia należy chodzić, a nie biegać. Pozwala to zmniejszyć ryzyko poślizgu i upadku, co może spowodować obrażenia ciała.
11. Nie należy używać kosiarki do trawy na znacząco stromych zboczach. Pozwala to zmniejszyć ryzyko utraty kontroli, ślizgania się lub upadku, co może spowodować obrażenia ciała.
12. W przypadku pracy na zboczach należy stawiać stabilne kroki i poruszać się zawsze w poprzek zbocza, a nie w górę ani w dół, a podczas zmiany kierunku zachować szczególną ostrożność. Pozwala to zmniejszyć ryzyko utraty kontroli, ślizgania się lub upadku, co może spowodować obrażenia ciała.
13. Zachować szczególną ostrożność w przypadku cofania lub ciągnięcia kosiarki do trawy w swoim kierunku. Zawsze należy zwracać uwagę na otoczenie. Pozwala to zredukować ryzyko wyrwnięcia podczas pracy.
14. Nie dotykać ostrzy ani innych niebezpiecznych ruchomych części, jeśli nadal się poruszają. Zmniejsza to ryzyko obrażeń spowodowanych przez ruchome części.
15. Podczas usuwania zakleszczonego materiału lub czyszczenia kosiarki do trawy należy się upewnić, czy wszystkie przełączniki zasilania są wyłączone i czy akumulator został odłączony. Nieoczekiwane uruchomienie kosiarki do trawy może spowodować poważne obrażenia ciała.

ZACHOWAĆ NINIEJSZE INSTRUKCJE.

⚠️ OSTRZEŻENIE: NIE WOLNO pozwolić, aby wygoda lub rutyna (nabyta w wyniku wielokrotnego używania urządzenia) zastąpiły ścisłe przestrzeganie zasad bezpieczeństwa obsługi.

NIEWŁAŚCIWE UŻYTKOWANIE narzędzia lub niestosowanie się do zasad bezpieczeństwa podanych w niniejszej instrukcji obsługi może prowadzić do poważnych obrażeń ciała.

WAŻNE ZASADY BEZPIECZEŃSTWA

⚠️ OSTRZEŻENIE: Przeczytać wszystkie ostrzeżenia bezpieczeństwa i wszystkie instrukcje. Niezastosowanie się do wspomnianych ostrzeżeń i instrukcji może doprowadzić do porażenia prądem elektrycznym, pożaru i/lub poważnych obrażeń ciała.

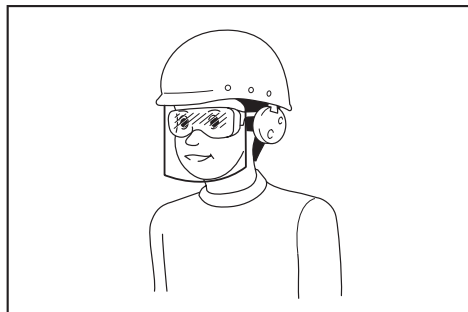
Wszystkie ostrzeżenia i instrukcje należy zachować do wykorzystania w przyszłości.

Informacje podstawowe

1. Należy uważnie przeczytać niniejszą instrukcję. Należy zapoznać się z elementami sterowania i zasadami poprawnego użytkowania kosiarki.
2. Nie dopuszczać, aby kosiarka była używana przez dzieci lub osoby, które nie zapoznały się z niniejszą instrukcją. Lokalne przepisy mogą ograniczać wiek użytkownika.
3. Nie wolno użytkować kosiarki, gdy w pobliżu znajdują się inne osoby, zwłaszcza dzieci, oraz zwierzęta.
4. Należy pamiętać, że operator lub użytkownik odpowiada za wypadki lub niebezpieczeństwa zagrażające innym osobom lub ich mieniu.
5. Należy zwracać uwagę, aby dzieci nie bawiły się kosiarką.
6. **Kondycja fizyczna – nie używać kosiarki pod wpływem narkotyków, alkoholu lub leków.**

Przygotowanie

1. **Podczas użytkowania kosiarki zawsze należy nosić odpowiednio mocne obuwie i długie spodnie. Nie wolno używać kosiarki, nie mając na stopach obuwia lub nosząc otwarte sandały. Unikać noszenia luźnej odzieży lub biżuterii, a także wiszących ozdób lub krawatów. Mogą się one zahaczyć o ruchome części.**
2. **Przed użyciem kosiarkę zawsze należy sprawdzić wzrokowo pod kątem uszkodzonych bądź brakujących lub nieprawidłowo założonych osłon i pokryw.**
3. **Upewnić się, że w miejscu koszenia nie są obecne inne osoby. Wyłączyć kosiarkę w przypadku pojawienia się jakichkolwiek osób na terenie przeznaczonym do koszenia.**
4. **Nie wkładać kluczyka do kosiarki, dopóki nie jest ona gotowa do pracy.**
5. **Należy zawsze nosić okulary ochronne, aby zabezpieczyć oczy przed urazami podczas użytkowania elektro-narzędzi. Okulary ochronne muszą spełniać wymagania normy ANSI Z87.1 w USA, EN 166 w Europie oraz AS/NZS 1336 w Australii/Nowej Zelandii. Przepisy prawne obowiązujące w Australii/Nowej Zelandii wymagają również obowiązkowego stosowania osłony twarzy.**



Odpowiedzialność za egzekwowanie używania odpowiednich środków ochrony osobistej przez operatorów narzędzi oraz inne osoby przebywające w bezpośrednim sąsiedztwie obszaru roboczego ponosi pracodawca.

6. **Przed przystąpieniem do pracy sprawdzić dokładnie noże lub śruby noży pod kątem ewentualnych pęknięć lub uszkodzeń. Popękane lub uszkodzone noże lub śruby noży należy niezwłocznie wymienić.**
7. **W celu niedopuszczenia do powstania obrażeń ciała lub uszkodzenia kosiarki przed przystąpieniem do koszenia należy usunąć z terenu koszenia wszystkie przedmioty, takie jak kamienie, druty, butelki, kości oraz większe gałęzie.**
8. **Przedmioty odrzucone przez nóż kosiarki mogą spowodować poważne obrażenia u osób znajdujących się w pobliżu. Przed każdym przystąpieniem do koszenia należy sprawdzić i oczyścić trawnik ze wszystkich niepożądanych rzeczy.**
9. **Zwracać uwagę na dziury w ziemi, koleiny, wyboje, kamienie i inne ukryte przeszkody. Nierówny teren może spowodować potknięcia i upadki. Wysoka trawa może ograniczać widoczność przeszkód.**
10. **Używać środków ochrony osobistej. Zawsze nosić okulary ochronne. Odpowiednie środki ochrony, takie jak maska przeciwpyłowa, ochronne obuwie antypoślizgowe, kask czy ochronniki słuchu, dostosowane do panujących warunków, zmniejszają ryzyko obrażeń.**

Obsługa

1. **Nie sięgać zbyt daleko. Zawsze należy utrzymywać równowagę. Podczas pracy na pochylonym terenie należy zadbać o dobre oparcie dla nóg. Podczas użytkowania urządzenia należy chodzić, a nie biegać.**
2. **Zatrzymać kosiarkę i wyjąć kluczyk oraz upewnić się, że wszystkie ruchome elementy kosiarki się zatrzymały:**
 - gdy operator oddala się od kosiarki;
 - przed usunięciem niedrożności i odblokowaniem kanału wyrzutnika;
 - przed sprawdzeniem, czyszczeniem lub konserwacją kosiarki;
 - po natrafieniu na obcy przedmiot. Przed ponownym uruchomieniem i użytkowaniem kosiarki należy sprawdzić ją pod kątem występowania uszkodzeń i wykonać ewentualne naprawy.
 - gdy kosiarka zaczyna drgać w nietypowy sposób.
3. **Nie używać kosiarki z uszkodzonymi osłonami lub pokrywami bądź ze zdjętymi zabezpieczeniami, takimi jak płyta odchylająca i/lub kosz na trawę.**
4. **Unikać korzystania z kosiarki przy złej pogodzie, w szczególności podczas burzy.**
5. **Przez cały czas użytkowania kosiarki należy nosić osłonę oczu i solidne buty.**
6. **Użytkować kosiarkę tylko przy świetle dziennym lub odpowiednio silnym sztucznym oświetleniu.**
7. **Kosiarkę należy uruchamiać zgodnie z instrukcją, trzymając stopy z dala od noży.**
8. **Należy chronić stopy i dłonie przed obrażeniami ze strony noży kosiarki.**

9. Zawsze należy dbać, aby otwory wentylacyjne nie były zatkane przez zanieczyszczenia.
 10. Kosić trawę w poprzek pochyłości; nigdy pod górę ani w dół. Należy zachować szczególną ostrożność przy zmianie kierunku na pochyłościach. Nie wolno kosić trawy na stromych pochyłościach.
 11. Zachować szczególną ostrożność w przypadku cofania lub ciągnięcia kosiarki w swoim kierunku.
 12. Należy poczekać na zatrzymanie noża w przypadku konieczności przechylenia kosiarki, przejechania nią przez nawierzchnię inną niż trawa lub w przypadku konieczności przetransportowania jej do lub z obszaru użytkowania.
 13. Nie przechylać kosiarki podczas uruchamiania silnika, poza przypadkiem gdy kosiarka musi zostać przechylona w celu rozpoczęcia pracy. W takim przypadku nie wolno przechylać kosiarki bardziej, niż jest to absolutnie konieczne; należy unosić tylko tę część kosiarki, która jest oddalona od użytkownika. Przed opuszczeniem kosiarki na podłoże należy zawsze upewnić się, że obydwie ręce są w położeniu roboczym.
 14. Nie zbliżać i nie wkładać dłoni ani stóp pod wirującą część. Nie zasłaniać nigdy wylotu wyrzutnika.
 15. Nie transportować włączonej kosiarki.
 16. Unikać koszenia mokrej trawy.
 17. Zawsze trzymać urządzenie mocno za uchwyt.
 18. Podczas podnoszenia lub przenoszenia kosiarki nigdy nie chwycić za noże lub krawędzie tnące.
 19. Trzymać ręce oraz stopy z dala od obracających się noży. Przestroga – po wyłączeniu kosiarki noże obracają się dalej siłą rozpędu.
 20. W przypadku zauważenia jakichkolwiek nieprawidłowości należy natychmiast przerwać pracę. Wyłączyć kosiarkę i wyjąć klucz. Następnie przeprowadzić kontrolę kosiarki.
 21. Nigdy nie podejmować prób regulacji wysokości cięcia podczas pracy kosiarki, jeśli kosiarka jest wyposażona w mechanizm regulacji wysokości cięcia.
 22. Zwolnić dźwignię przełącznika i poczekać na zatrzymanie się noża przed przejściem przez podjazd, ścieżkę, drogę lub inny obszar o nawierzchni żwirowej. W przypadku oddalenia się od kosiarki w celu podniesienia lub usunięcia czegoś z drogi lub z jakiegokolwiek innego powodu przyczyniającego się bezpośrednio do przerwania pracy należy również wyjąć klucz.
 23. W przypadku natrafienia przez kosiarkę na obcy przedmiot należy postępować zgodnie z następującą procedurą:
 - Wyłączyć kosiarkę, zwolnić dźwignię przełącznika i poczekać do momentu całkowitego zatrzymania się noża.
 - Wyjąć klucz i akumulator.
 - Sprawdzić dokładnie kosiarkę pod kątem występowania jakichkolwiek uszkodzeń.
 - W przypadku jakiegokolwiek uszkodzenia noża należy wymienić go na nowy. Przed ponownym uruchomieniem i kontynuowaniem koszenia należy naprawić wszelkie powstałe uszkodzenia.
 24. Nie uruchamiać kosiarki, stojąc przed wylotem wyrzutnika.
 25. Jeśli kosiarka zaczyna drgać w nietypowy sposób (natychmiast sprawdzić):
 - sprawdzić pod kątem występowania uszkodzenia,
 - wymienić lub naprawić uszkodzone części,
 - sprawdzić pod kątem poluzowanych części i, jeśli takie występują, dokręcić je.
 26. Nigdy nie kierować strumienia wyrzucanego materiału w stronę osób. Unikać wyrzucania materiału na ściany i przeszkoły. Wyrzucany materiał może odbić się i polecieć w kierunku operatora. Podczas przejeżdżania przez powierzchnie pokryte żwirem noż należy zatrzymać.
 27. Kosiarki nie należy pociągać w kierunku wstecznym, chyba że jest to absolutnie niezbędne. Jeśli konieczne jest wycofanie kosiarki spod ogrodzenia lub podobnej przeszkody, przed wycofaniem kosiarki i podczas tej czynności należy rozglądać się za siebie oraz pod nogi.
 28. Przed zdjęciem chwytaka trawy należy wyłączyć silnik i poczekać, aż noż zatrzyma się całkowicie. Zachować ostrożność, ponieważ po wyłączeniu noże dalej obracają się siłą rozpędu.
 29. Używając maszyny na błotnistym gruncie, mokrym zboczu lub śliskiej nawierzchni, utrzymywać stabilną postawę ciała i uważać, by się nie przewrócić.
 30. Nie zanurzać maszyny w kałużach.
 31. Podczas pracy z maszyną uważać na rury i przewody.
- #### Konserwacja i przechowywanie
1. Ze względów bezpieczeństwa należy wymieniać zużyte lub uszkodzone części. Używać tylko oryginalnych części zamiennych oraz akcesoriów.
 2. Kosiarkę należy regularnie sprawdzać i poddawać czynnościom konserwacyjnym.
 3. Gdy kosiarka nie jest używana, należy ją przechowywać w bezpiecznym, niedostępnym dla dzieci miejscu.
 4. Wszystkie nakrętki, wkręty i śruby powinny być dokręcone, co pozwoli utrzymać urządzenie w bezpiecznym stanie technicznym.
 5. Regularnie sprawdzać kosz na trawę pod kątem zużycia lub występowania uszkodzeń. Kosiarkę należy przechowywać wyłącznie z opróżnionym koszem na trawę. W celu zachowania bezpieczeństwa zużyty kosz na trawę należy wymienić na nowy, oryginalny kosz.
 6. Używać wyłącznie oryginalnych noży wymienionych w niniejszej instrukcji.
 7. Zachować ostrożność podczas regulacji kosiarki w celu niedopuszczenia do utknięcia palców pomiędzy poruszającymi się nożami oraz zamocowanymi na stałe częściami kosiarki.

8. Regularnie sprawdzać śrubę mocującą noża pod kątem prawidłowego dokręcenia.
9. Przed schowaniem kosiarki należy zawsze odczekać, aż ostygnie.
10. Podczas obsługi noży należy pamiętać, że nawet w przypadku wyłączenia zasilania, noże mogą nadal się poruszać.
11. Urządzeń zabezpieczających nie należy zdejmować ani modyfikować. Należy regularnie sprawdzać, czy działają poprawnie. Nigdy nie należy robić niczego, co mogłoby uniemożliwić urządzeniom zabezpieczającym pełnienie ich zamierzonej funkcji, ani nie można w żaden sposób ograniczać ochrony, którą zapewniają te urządzenia.
12. Nie pozostawiać maszyny bez nadzoru na otwartym powietrzu, w deszczu.
13. Maszyna powinna być przechowywana w miejscu nienarażonym na bezpośrednie nasłonecznienie, deszcz, nadmierny wzrost temperatury i zawilgocenie.

Użytkowanie narzędzi akumulatorowych i dbałość o nie

1. **Akumulator należy ładować wyłącznie przy użyciu określonej przez producenta ładowarki.** Ładowarka przeznaczona do jednego typu akumulatora może stwarzać zagrożenie pożarem, gdy będzie używana do ładowania innego akumulatora.
2. **Do zasilania elektronarzędzi używać tylko specjalnie do tego celu przeznaczonych akumulatorów.** Używanie innych akumulatorów może stwarzać ryzyko wystąpienia obrażeń ciała lub pożaru.
3. **Gdy akumulator nie jest używany, należy zabezpieczyć go przed kontaktem z metalowymi przedmiotami, typu spinacze, monety, klucze, gwoździe, wkręty lub innymi metalowymi drobiazgami, które mogą powodować zwarcie styków akumulatora.** Zwarcie styków akumulatora grozi poparzeniami lub pożarem.
4. **W niewłaściwych warunkach eksploatacji może dojść do wycieku elektrolitu z akumulatora. Nie należy go dotykać. W razie przypadkowego kontaktu należy przemyć skażoną skórę wodą. W przypadku dostania się elektrolitu do oczu należy dodatkowo skorzystać z porady lekarza.** Elektrolit z akumulatora może powodować podrażnienia lub poparzenia.
5. **Nie używać uszkodzonego lub przerobionego akumulatora ani narzędzia.** Uszkodzone lub przerobione akumulatory mogą działać w nieprzewidywalny sposób i spowodować pożar, wybuch lub obrażenia ciała.
6. **Nie wystawiać akumulatora ani narzędzia na działanie ognia ani nadmiernej temperatury.** Narażenie na ogień lub temperaturę wyższą niż 130°C może spowodować wybuch.
7. **Przestrzegać wszystkich instrukcji ładowania i nie ładować akumulatora ani narzędzia w temperaturze wykraczającej poza zakres określony w instrukcji.** Nieprawidłowe ładowanie lub temperatury wykraczające poza określony zakres mogą spowodować uszkodzenie akumulatora oraz wzrost zagrożenia pożarem.

Zasady bezpieczeństwa dotyczące urządzeń elektrycznych i akumulatora

1. **Nie wyrzucać akumulatorów do ognia.** Ogniwo może eksplodować. Należy zapoznać się z obowiązującymi lokalnie przepisami, które określają specjalne wytyczne dotyczące utylizacji odpadów.
2. **Nie wolno otwierać ani niszczyć akumulatorów.** Wolniony elektrolit jest substancją żrącą, która może spowodować uszkodzenie oczu lub skóry. W przypadku połknięcia może być trujący.
3. **Akumulatora nie należy ładować w deszczu ani w wilgotnym otoczeniu.**
4. **Nie ładować akumulatora na zewnątrz.**
5. **Nie dotykać ładowarki, w tym jej wtyczki i styków, mokrymi rękami.**
6. **Nie wymieniać akumulatora w deszczu.**
7. **Nie zwilżać zacisków akumulatora cieczami, np. wodą, ani nie zanurzać akumulatora. Nie pozostawiać akumulatora w deszczu ani nie ładować, używać bądź przechowywać akumulatora w wilgotnym lub mokrym miejscu.** Jeśli zacisk zamoczy się lub do wnętrza akumulatora dostanie się ciecz, może dojść do zwarcia akumulatora i przegrzania, zapłonu lub wybuchu.
8. **Po wycięciu akumulatora z maszyny lub ładowarki należy koniecznie przymocować do akumulatora jego pokrywę i umieścić akumulator w suchym miejscu.**
9. **Nie wymieniać akumulatora mokrymi rękami.**
10. **Unikać niebezpiecznych warunków pracy. Nie wolno używać maszyny w otoczeniu wilgotnym lub mokrym ani narażać na działanie deszczu.** Woda, która dostanie się do maszyny, zwiększa ryzyko porażenia prądem elektrycznym.
11. **W przypadku zamoczenia akumulatora usunąć znajdującą się w środku wodę i wytrzeć suchą szmatką. Przed użyciem całkowicie wysuszyć akumulator, pozostawiając go w suchym miejscu.**

Serwis

1. **Elektronarzędzie powinno być serwisowane przez wykwalifikowany personel, z użyciem wyłącznie oryginalnych części zamiennych.** Zapewni to zachowanie bezpieczeństwa pracy z elektronarzędziem.
2. **Nie wolno naprawiać uszkodzonych akumulatorów.** Naprawa akumulatorów powinna być wykonywana wyłącznie przez producenta lub autoryzowane punkty usługowe.

ZACHOWAĆ NINIEJSZE INSTRUKCJE.

⚠ OSTRZEŻENIE: NIE WOLNO pozwolić, aby wygoda lub rutyna (nabyta w wyniku wielokrotnego używania urządzenia) zastąpiły ściśle przestrzeganie zasad bezpieczeństwa obsługi.

NIEWŁAŚCIWE UŻYTKOWANIE narzędzia lub nieastosowanie się do zasad bezpieczeństwa podanych w niniejszej instrukcji obsługi może prowadzić do poważnych obrażeń ciała.

Ważne zasady bezpieczeństwa dotyczące akumulatora

1. Przed użyciem akumulatora zapoznać się ze wszystkimi instrukcjami i znakami ostrzegawczymi na (1) ładowarce, (2) akumulatorze i (3) produkcie, w którym będzie używany akumulator.
2. Nie rozmontowywać ani modyfikować akumulatora. Może to spowodować pożar, przegrzanie lub wybuch.
3. Jeśli czas działania uległ znacznemu skróceniu, należy natychmiast przerwać pracę. Może bowiem dojść do przegrzania, ewentualnych poparzeń, a nawet eksplozji.
4. W przypadku przedostania się elektrolitu do oczu, przemyć je czystą wodą i niezwłocznie uzyskać pomoc lekarską. Może on bowiem spowodować utratę wzroku.
5. Nie doprowadzać do zwarcia akumulatora:
 - (1) Nie dotykać styków materiałami przewodzącymi prąd.
 - (2) Unikać przechowywania akumulatora w pojemniku z metalowymi przedmiotami, takimi jak gwoździe, monety itp.
 - (3) Chronić akumulator przed deszczem lub wodą.Zwarcie prowadzi do przepływu prądu elektrycznego o dużym natężeniu i przegrzania akumulatora, co w konsekwencji może grozić poparzeniami a nawet awarią urządzenia.
6. Narzędzia i akumulatora nie wolno przechowywać ani używać w miejscach, w których temperatura osiąga bądź przekracza 50°C (122°F).
7. Akumulatorów nie wolno spalać, również tych poważnie uszkodzonych lub całkowicie zużytych. Akumulator może eksplodować w ogniu.
8. Nie należy przecinać ani zginać akumulatora, wbijać w niego gwoździ, rzucać nim, upuszczać, ani uderzać akumulatorem o twarde objekty. Takie działanie może spowodować pożar, przegrzanie lub wybuch.
9. Nie wolno używać uszkodzonego akumulatora.
10. Stanowiące wyposażenie akumulatory litowo-jonowe podlegają przepisom dotyczącym produktów niebezpiecznych.

Na potrzeby transportu komercyjnego, np. świadczonych przez firmy trzecie czy spedycyjne, należy przestrzegać specjalnych wymagań w zakresie pakowania i oznaczania etykietami. Przygotowanie produktu do wysyłki wymaga skonsultowania się ze specjalistą ds. materiałów niebezpiecznych. Należy także przestrzegać przepisów krajowych, które mogą być bardziej szczegółowe. Zakleić taśmą lub zaślepić otwarte styki akumulatora oraz zabezpieczyć go, aby nie mógł się przesuwać w opakowaniu.
11. Jeśli zajdzie konieczność utylizacji akumulatora, należy wyjąć go z narzędzia i przekazać w bezpieczne miejsce. Postępować zgodnie z przepisami lokalnymi dotyczącymi utylizacji akumulatorów.

12. Używać akumulatorów tylko z produktami określonymi przez firmę Makita. Zastosowanie akumulatorów w niezgodnych produktach może spowodować pożar, przegrzanie, wybuch lub wyciek elektrolitu.
13. Jeśli narzędzie nie będzie używane przez dłuższy czas, należy wyjąć z niego akumulator.
14. Przed użyciem akumulatora i po jego użyciu akumulator może pozostawać nagrzwany, co może spowodować poparzenia lub poparzenia w niskiej temperaturze. Z gorącym akumulatorem należy obchodzić się ostrożnie.
15. Nie należy dotykać styku narzędzia bezpośrednio po jego użyciu, ponieważ może on być na tyle gorący, że spowoduje oparzenia.
16. Nie należy dopuszczać, aby wióry, kurz lub brud gromadziły się na stykach, w otworach i rowkach akumulatora. Może to doprowadzić do przegrzania, pożaru, wybuchu lub uszkodzenia narzędzia lub akumulatora, co może spowodować oparzenia lub obrażenia ciała.
17. Jeśli narzędzie nie jest przeznaczone do użytku w pobliżu linii wysokiego napięcia, nie należy korzystać z akumulatora w ich sąsiedztwie. Może to spowodować nieprawidłowości w działaniu lub uszkodzenie narzędzia lub akumulatora.
18. Przechowywać akumulator w miejscu niedostępnym dla dzieci.

ZACHOWAĆ NINIEJSZE INSTRUKCJE.

⚠ PRZESTROGA: Używać wyłącznie oryginalnych akumulatorów firmy Makita. Używanie nieoryginalnych akumulatorów firm innych niż Makita lub akumulatorów, które zostały zmodyfikowane, może spowodować wybuch akumulatora i pożar, obrażenia ciała oraz zniszczenie mienia. Stanowi to również naruszenie warunków gwarancji firmy Makita dotyczących narzędzia i ładowarki.

Wskazówki dotyczące zachowania maksymalnej trwałości akumulatora

1. Akumulator należy naładować zanim zostanie do końca rozładowany. Po zauważeniu spadku mocy narzędzia należy przerwać pracę i naładować akumulator.
2. Nie wolno ładować powtórnie w pełni naładowanego akumulatora. Przeładowanie akumulatora skracają jego trwałość.
3. Akumulator należy ładować w temperaturze pokojowej w przedziale 10–40°C (50–104°F). W przypadku gorącego akumulatora przed przystąpieniem do ładowania należy poczekać, aż ostygnie.
4. Jeśli akumulator nie jest używany, należy go wyjąć z narzędzia lub ładowarki.
5. Akumulatory niklowo-wodorkowe należy naładować po okresie długiego nieużytkowania (dłuższego niż sześć miesięcy).

MONTAŻ

⚠ OSTRZEŻENIE: Przed przystąpieniem do jakichkolwiek czynności związanych z obsługą kosiarki należy koniecznie upewnić się, że kluczyk oraz akumulator zostały wyjęte. Pozostawienie kluczyka i akumulatora może prowadzić do poważnych obrażeń ciała w wyniku nieoczekiwanego uruchomienia.

⚠ OSTRZEŻENIE: Nigdy nie włączać kosiarki, jeśli nie jest ona całkowicie zmontowana. Obsługa częściowo zmontowanej maszyny może prowadzić do poważnych obrażeń ciała w wyniku nieoczekiwanego uruchomienia.

Zamontowanie uchwytu

UWAGA: Podczas instalowania uchwytów należy zachować ostrożność, aby nie doszło do ściśnięcia przewodu pomiędzy uchwytami. Jeśli przewód jest uszkodzony, przełącznik kosiarki może nie działać.

1. Ustawić otwór w dolnym uchwycie naprzeciwko otworu w górnym uchwycie, następnie włożyć śrubę od zewnątrz, po czym dokręcić nakrętkę motylkową od wewnątrz. Wykonać tę samą procedurę po drugiej stronie.

Model DLM481/DLM539

► **Rys.1:** 1. Śruba 2. Nakrętka motylkowa 3. Dolny uchwyt 4. Górny uchwyt

Model DLM480/DLM538

► **Rys.2:** 1. Śruba 2. Nakrętka motylkowa 3. Dolny uchwyt 4. Górny uchwyt

2. Obrócić pokrętko o 90°, jednocześnie ciągnąc pokrętko w dolnym uchwycie, aby zwolnić kołek blokujący. Wykonać tę samą procedurę po drugiej stronie. Podnieść uchwyt, a następnie obrócić pokrętko po obu stronach o 90°. Upewnić się, że pokrętła są dobrze zamocowane.

► **Rys.3:** 1. Pokrętko

WSKAZÓWKA: Podpieranie uchwytu ułatwia zwolnienie kołka blokującego przy pociąganiu za pokrętko.

Demontaż przystawki do mulczowania

1. Otworzyć tylną pokrywę.

► **Rys.4:** 1. Tylna pokrywa

2. Podnieść nieco przystawkę do mulczowania, a następnie ją wymontować.

► **Rys.5:** 1. Przystawka do mulczowania

Montaż kosza na trawę

1. Podnieść górny zacisk kosza na trawę.

► **Rys.6:** 1. Górny zacisk

2. Włożyć ramę do kosza na trawę do końca, przytrzymując uchwyt ramy.

► **Rys.7:** 1. Uchwyt

UWAGA: Nie wkładać uchwytu do kosza na trawę. Należy pamiętać, aby włożyć ramę wzdłuż szwu kosza na trawę.

3. Należy upewnić się, czy w narożach kosza na trawę nie ma wygięć.

► **Rys.8**

4. Otworzyć górny zacisk i przymocować go do ramy.

► **Rys.9**

5. Przymocować wszystkie pozostałe zaciski w sposób pokazany na rysunku. Upewnić się, czy wszystkie zaciski są dokładnie zamocowane do ramy.

► **Rys.10:** 1. Zacisk

Zakładanie i zdejmowanie kosza na trawę

W celu zamontowania kosza na trawę należy wykonać poniższe czynności.

1. Otworzyć tylną pokrywę.

► **Rys.11:** 1. Tylna pokrywa

2. Chwycić za uchwyt kosza na trawę, a następnie zaczeplić kosz na trawę na kołku wystającym z korpusu kosiarki, tak jak przedstawiono to na rysunku.

► **Rys.12:** 1. Kosz na trawę 2. Uchwyt 3. Kołek

Aby zdjąć kosz na trawę, otworzyć tylną pokrywę i wyjąć kosz na trawę, chwytając za jego uchwyt.

Zakładanie przystawki do mulczowania

1. Otworzyć tylną pokrywę i zdjąć kosz na trawę.

► **Rys.13:** 1. Tylna pokrywa 2. Kosz na trawę

2. Założyć przystawkę do mulczowania, wciskając ją do końca, tak aby występy w przystawce były dopasowane do otworów w maszynie.

► **Rys.14:** 1. Przystawka do mulczowania 2. Występ

OPIS DZIAŁANIA

Wkładanie i wyjmowanie akumulatora

⚠ PRZESTROGA: Przed włożeniem lub wyjęciem akumulatora należy zawsze wyłączyć urządzenie.

⚠ PRZESTROGA: Podczas wkładania lub wyjmowania akumulatora należy mocno trzymać maszynę i akumulator. W przeciwnym razie mogą się one wyślizgnąć z rąk, powodując uszkodzenie maszyny lub akumulatora oraz obrażenia ciała.

⚠ PRZESTROGA: Przed użyciem upewnij się, że pokrywa akumulatora została zablokowana. W przeciwnym razie błoto, kurz lub woda mogą przyczynić się do uszkodzenia urządzenia lub akumulatora.

⚠ PRZESTROGA: Akumulator należy zawsze wkładać do końca, tak aby czerwony wskaźnik nie był widoczny. W przeciwnym razie może on przypadkowo wypaść z maszyny, powodując obrażenia u operatora lub znajdujących się w pobliżu osób.

⚠ PRZESTROGA: Nie wkładać akumulatora na siłę. Jeśli akumulator nie daje się swobodnie wsunąć, oznacza to, że został włożony nieprawidłowo.

⚠ PRZESTROGA: Podczas wkładania lub wyjmowania akumulatora należy mocno trzymać pokrywę akumulatora.

WSKAZÓWKA: Maszyna nie działa w przypadku włożenia tylko jednego akumulatora.

W celu włożenia akumulatora:

1. Pociągnąć dźwignię blokady do góry, a następnie otworzyć pokrywę akumulatora.

► **Rys.15:** 1. Pokrywa akumulatora 2. Dźwignia blokady

2. Ustawić występ akumulatora naprzeciwko szczeliny w maszynie i wsunąć akumulator, aż zatrzaśnie się na swoim miejscu.

► **Rys.16:** 1. Akumulator

3. Wsuń do oporu kluczyk w miejsce wskazane na rysunku.

► **Rys.17:** 1. Kluczyk

4. Zamknij pokrywę akumulatora i naciśnij ją do zatrzaśnięcia się dźwigni blokującej.

Aby wyjąć akumulator:

1. Pociągnij dźwignię blokady do góry i otwórz pokrywę akumulatora.

2. Wyciągnij akumulator z maszyny, jednocześnie przesuwając przycisk znajdujący się w przedniej części akumulatora.

3. Wyjmij kluczyk.

4. Zamknij pokrywę akumulatora.

Układ zabezpieczenia maszyny/akumulatora

Maszyna jest wyposażona w układ zabezpieczenia maszyny/akumulatora. Układ automatycznie odcina zasilanie silnika w celu wydłużenia trwałości maszyny i akumulatora. Maszyna zostanie automatycznie zatrzymana podczas pracy w następujących sytuacjach związanych z maszyną lub akumulatorem:

Zabezpieczenie przed przeciążeniem

W przypadku korzystania z akumulatora w sposób powodujący pobór nadmiernie wysokiego prądu maszyna zostanie automatycznie zatrzymana, a główna kontrolka zasilania będzie migać na zielono. W takiej sytuacji należy wyłączyć maszynę i zaprzestać wykonywania czynności powodującej jej przeciążenie. Następnie należy włączyć maszynę w celu jej ponownego uruchomienia.

Zabezpieczenie przed przegrzaniem

W przypadku przegrzania maszyny lub akumulatora maszyna zostanie automatycznie zatrzymana, a główna kontrolka zasilania będzie świecić na czerwono. W takiej sytuacji przed ponownym włączeniem maszyny należy odczekać, aż maszyna i akumulator ostygną.

Zabezpieczenie przed nadmiernym rozładowaniem

W przypadku niewystarczającego stanu naładowania akumulatora maszyna zostanie automatycznie zatrzymana, a główna kontrolka zasilania będzie migać na czerwono. W takiej sytuacji należy wyjąć akumulator z maszyny i naładować akumulatory lub wymienić je na całkowicie naładowane.

Inne zabezpieczenia

Układ zabezpieczający jest także przeznaczony do ochrony przed innymi czynnikami, które mogłyby doprowadzić do uszkodzenia maszyny i umożliwia automatyczne zatrzymanie maszyny. Należy wykonać poniższe kroki, aby usunąć przyczyny tymczasowego wstrzymania lub zatrzymania pracy maszyny.

1. Wyłączyć maszynę, a następnie włączyć ją ponownie w celu zrestartowania.
2. Naładować akumulatory lub zastąpić je (lub jeden z nich) naładowanymi akumulatorami.
3. Pozostawić narzędzie i akumulator(y) do ostygnięcia.

Jeśli przywrócenie działania układu zabezpieczającego nie przynosi pozytywnych efektów, należy skontaktować się z centrum serwisowym Makita.

UWAGA: Jeśli maszyna zostanie zatrzymana z przyczyn innych niż opisane powyżej, należy zapoznać się z sekcją dotyczącą rozwiązywania problemów.

Wskazanie stanu naładowania akumulatora

► **Rys.18:** 1. Wskaźnik akumulatora

W przypadku obniżenia stanu naładowania akumulatora wskaźnik po stronie odpowiedniego akumulatora zacznie migać. Jeśli maszyna będzie nadal używana, nastąpi jej zatrzymanie, a wskaźnik akumulatora zaświeci się. W takiej sytuacji należy naładować akumulator.

Wskazanie stanu naładowania akumulatora

Tylko w przypadku akumulatorów ze wskaźnikiem

► **Rys.19:** 1. Lampki wskaźnika 2. Przycisk kontrolny

Nacisnąć przycisk kontrolny na akumulatorze w celu wyświetlenia stanu naładowania akumulatora. Lampki wskaźnika zaświecą się przez kilka sekund.

Lampki wskaźnika			Pozostała energia akumulatora
Świeci się	Wyłączony	Miga	
■	□	▬	75–100%
■ ■ ■ ■			50–75%
■ ■ □ □			25–50%
■ □ □ □			0–25%
▬ □ □ □			Naładować akumulator.
■ ■ □ □	↑ ↓	□ □ ■ ■	Akumulator może nie działać poprawnie.

WSKAZÓWKA: Zależnie od warunków użytkowania i temperatury otoczenia, wskaźwany poziom może nieznacznie się różnić od rzeczywistego stanu naładowania akumulatora.

WSKAZÓWKA: Pierwsza (skrajnie po lewej stronie) lampka wskaźnika miga, gdy układ zabezpieczenia akumulatora jest aktywny.

Główny przełącznik zasilania

OSTRZEŻENIE: Zawsze wyłączać główny przełącznik zasilania, gdy narzędzie nie jest używane.

► **Rys.20:** 1. Główna kontrolka zasilania 2. Główny przełącznik zasilania

Aby włączyć maszynę, należy nacisnąć główny przełącznik zasilania. Główna kontrolka zasilania zaświeci się na zielono. Aby wyłączyć maszynę, należy ponownie nacisnąć główny przełącznik zasilania.

WSKAZÓWKA: Jeśli główna kontrolka zasilania zaświeci się na czerwono albo zacznie migać na czerwono lub zielono, należy zapoznać się z instrukcją obsługi układu zabezpieczenia maszyny/akumulatora.

WSKAZÓWKA: Ta maszyna jest wyposażona w funkcję automatycznego wyłączenia. Aby nie dopuścić do przypadkowego uruchomienia, główny przełącznik zasilania automatycznie wyłącza maszynę, jeśli dźwignia przełącznika i dźwignia jazdy (o ile jest na wyposażeniu) nie zostanie pociągnięta przez określony czas od włączenia głównego przełącznika zasilania.

Działanie przełącznika

OSTRZEŻENIE: Przed włożeniem akumulatora należy zawsze sprawdzić, czy dźwignia przełącznika działa prawidłowo i powraca do swojego położenia wyjściowego po jej zwolnieniu. Korzystanie z maszyny z nieprawidłowo działającym przełącznikiem może doprowadzić do utraty kontroli nad maszyną oraz poważnych obrażeń ciała.

WSKAZÓWKA: Bez naciśnięcia przycisku przełącznika kosiarka nie zostanie uruchomiona, nawet jeśli dźwignia przełącznika jest pociągnięta.

WSKAZÓWKA: Kosiarka może nie uruchomić się z powodu przecięcia spowodowanego koszeniem zbyt długiej lub zbyt gęstej trawy. W takim przypadku należy zwiększyć wysokość koszenia.

Kosiarka została wyposażona w kluczyk oraz przełącznik na uchwycie. W przypadku zauważenia nieprawidłowego działania kluczyka lub przełącznika należy niezwłocznie wyłączyć urządzenie oraz skontaktować się z lokalnym autoryzowanym punktem serwisowym firmy Makita.

Model DLM481/DLM539

1. Włóż akumulatory. Włóż kluczyk, a następnie zamknąć pokrywę akumulatora.
 2. Nacisnąć główny przełącznik zasilania.
 3. Podczas naciskania przycisku przełącznika pociągnąć do siebie dźwignię przełącznika. Zwolnić przycisk przełącznika po uruchomieniu się silnika.
- **Rys.21:** 1. Przycisk przełącznika 2. Dźwignia przełącznika

4. Trzymając dźwignię przełącznika, popchnąć do przodu dźwignię jazdy i przytrzymać ją, aby uruchomić napęd tylnych kół.

► **Rys.22:** 1. Dźwignia jazdy

WSKAZÓWKA: Napęd tylnych kół można uruchomić, popychając do przodu dźwignię jazdy i przytrzymując ją, nie pociągając dźwigni przełącznika.

5. Aby zatrzymać maszynę, zwolnić dźwignię jazdy i dźwignię przełącznika.

Model DLM480/DLM538

1. Włóż akumulatory. Włóż kluczyk, a następnie zamknąć pokrywę akumulatora.
 2. Nacisnąć główny przełącznik zasilania.
 3. Podczas naciskania przycisku przełącznika pociągnąć do siebie dźwignię przełącznika. Zwolnić przycisk przełącznika po uruchomieniu się silnika.
- **Rys.23:** 1. Przycisk przełącznika 2. Dźwignia przełącznika

4. Aby wyłączyć silnik, zwolnij dźwignię przełącznika.

Regulacja wysokości koszenia

⚠ OSTRZEŻENIE: Nie wkładać rąk ani nóg pod kosiarkę podczas regulacji wysokości koszenia.

⚠ OSTRZEŻENIE: Przed rozpoczęciem pracy zawsze należy upewnić się, że dźwignia dobrze leży w rowku.

Wysokość koszenia można regulować w zakresie od 20 mm do 100 mm.

Wyjąć kluczyk, a następnie odchylić dźwignię regulacji wysokości koszenia na zewnątrz, oddalając ją od korpusu kosiarki, po czym ustawić ją na żądanej wysokości koszenia.

► **Rys.24:** 1. Dźwignia regulacji wysokości koszenia

W poniższej tabeli podano zależność między liczbą na korpusie kosiarki a przybliżoną wysokością koszenia.

Liczba	Wysokość koszenia
1	20 mm
2	26 mm
3	32 mm
4	40 mm
5	49 mm
6	59 mm
7	70 mm
8	81 mm
9	92 mm
10	100 mm

Przytrzymać jedną ręką dolny uchwyt, a następnie drugą ręką przesunąć dźwignię regulacji wysokości koszenia.

► **Rys.25:** 1. Dźwignia regulacji wysokości koszenia
2. Dolny uchwyt

WSKAZÓWKA: Podane wysokości koszenia należy traktować jako ogólne wytyczne. Rzeczywista wysokość trawnika może się nieco różnić od ustawionej w zależności od stanu trawnika oraz terenu.

WSKAZÓWKA: Przetestować koszenie trawy w mniej widocznym miejscu w celu ustawienia wymaganej wysokości koszenia.

Wskaźnik poziomu trawy

Wskaźnik poziomu trawy wskazuje ilość skoszonej trawy. Gdy kosz na trawę nie jest całkowicie pełen, wskaźnik pływa podczas pracy noży.

► **Rys.26:** 1. Wskaźnik poziomu trawy

Gdy kosz na trawę zostanie całkowicie zapełniony, wskaźnik przestanie pływać podczas pracy noży. W takim przypadku należy niezwłocznie przerwać pracę i opróżnić kosz.

► **Rys.27:** 1. Wskaźnik poziomu trawy

WSKAZÓWKA: Wskaźnik ten stanowi wyłącznie wskazanie zgrubne. W zależności od warunków wewnątrz kosza wskaźnik ten może nie działać prawidłowo.

Regulacja wysokości uchwytu

Uchwyt można ustawić na jednej z dwóch wysokości.

1. Aby zwolnić kolek blokujący, przytrzymać dolny uchwyt, a następnie obrócić pokrętko o 90°, jednocześnie ciągnąc za pokrętko w dolnym uchwycie. Wykonać tę samą procedurę po drugiej stronie.

► **Rys.28:** 1. Dolny uchwyt 2. Pokrętko

WSKAZÓWKA: Podpieranie uchwytu ułatwia zwolnienie kołka blokującego przy pociąganiu za pokrętko.

2. Wyregulować wysokość uchwytu, a następnie obrócić pokrętko po obu stronach o 90°. Upewnić się, że pokrętkła są dobrze zamocowane.

► **Rys.29:** 1. Pokrętko

Regulacja prędkości jazdy

Model DLM481/DLM539

► **Rys.30:** 1. Dźwignia prędkości

Prędkość jazdy można regulować za pomocą dźwigni prędkości. Aby zmniejszyć prędkość, należy pociągnąć dźwignię do siebie, a aby zwiększyć prędkość, należy obrócić dźwignię do przodu.

Korzystanie z przystawki do mulczowania

Przystawka do mulczowania umożliwia pozostawienie skoszonej trawy na ziemi, bez zbierania jej w koszu.

Aby korzystać z maszyny z przystawką do mulczowania, należy wyjąć kosz na trawę.

UWAGA: Gdy maszyna jest używana z przystawką do mulczowania, całkowita długość trawy po skoszeniu musi wynosić co najmniej 30 mm, a długość odcinanego odcinka musi wynosić nie więcej niż 15 mm.

► **Rys.31:** (1) 30 lub więcej (2) 15 mm lub mniej

Korzystanie z wyrzutu tylnego

Korzystanie z wyrzutu tylnego umożliwia wyrzucenie skoszonej trawy na ziemię z tyłu maszyny, bez zbierania jej w koszu.

Podczas używania maszyny z wyrzutem tylnym należy pamiętać, aby zdjąć kosz na trawę i przystawkę do mulczowania oraz zamknąć tylną pokrywę.

Funkcja regulacji elektronicznej

Maszyna jest wyposażona w funkcje regulacji elektronicznej ułatwiającej jego obsługę.

- Łagodne uruchamianie przy rozruchu
Funkcja łagodnego uruchamiania minimalizuje wstrząs powstający podczas normalnego uruchamiania, dzięki czemu rozruch maszyny jest płynny.
- Hamulec elektryczny
Maszyna jest wyposażona w hamulec elektryczny. Jeśli noże kosiarki często nie zatrzymują się szybko po zwolnieniu dźwigni przełącznika, należy zlecić naprawę maszyny autoryzowanemu punktowi serwisowemu firmy Makita.

OBSŁUGA

Koszenie

⚠ OSTRZEŻENIE: Przed przystąpieniem do koszenia należy usunąć gałęzie oraz kamienie z terenu przeznaczonego do koszenia. Następnie należy usunąć chwasty.

⚠ OSTRZEŻENIE: Podczas koszenia należy zawsze nosić gogle ochronne lub okulary ochronne z bocznymi osłonami.

⚠ PRZESTROGA: Jeśli ścięta trawa lub obcy przedmiot utknie wewnątrz korpusu kosiarki, należy przed usunięciem takiej przeszkody koniecznie wyjąć kluczyk i akumulator oraz założyć rękawice.

UWAGA: Tego urządzenia należy używać jedynie do koszenia trawy. Za pomocą tego urządzenia nie wolno kosić chwastów.

► Rys.32

Podczas koszenia mocno trzymać uchwyt kosiarki obiema rękami. Zalecana prędkość koszenia to około 7 do 14 metrów na 10 sekund.

► Rys.33

WSKAZÓWKA: W przypadku wysokiej lub gęstej trawy, jeśli po koszeniu wysokość trawnika jest nierówna, efekt końcowy nie jest zadowalający lub w trakcie koszenia spada prędkość obrotowa silnika, należy zmniejszyć prędkość koszenia poniżej zalecanej w niniejszym podręczniku lub zwiększyć wysokość koszenia.

Środkowe linie przednich kół określają szerokość koszenia. Kosić trawnik pasami, jako odniesienia używając tych linii. Aby zapewnić równe skoszenie trawnika, od 1/2 do 1/3 szerokości pasów powinno się nakładać.

► Rys.34: 1. Szerokość koszenia 2. Obszar nakładania 3. Linia środkowa

Za każdym razem zmieniać kierunek koszenia, aby zapobiec powstaniu wzoru spowodowanego kształtowaniem trawy w tym samym kierunku.

► Rys.35

Okresowo sprawdzać zapełnienie kosza na trawę. Usuwać trawę zanim kosz całkowicie się zapełni. Przed każdym sprawdzeniem kosza na trawę należy wyłączyć kosiarkę, wyjąć kluczyk i akumulator.

UWAGA: Używanie kosiarki z pełnym koszem na trawę uniemożliwia płynny ruch obrotowy noża oraz dodatkowo obciąża silnik, co może przyczynić się do jego uszkodzenia.

Koszenie wysokiej trawy

Nie zaleca się cięcia wysokiej trawy za jednym razem. Zamiast tego należy kosić trawę etapami. Kosić co jeden lub dwa dni, aż do równomiernego skrócenia trawy.

► Rys.36

WSKAZÓWKA: Mocne skrócenie wysokiej trawy za jednym razem może spowodować jej uschnięcie. Skoszona trawa może także zablokować się w kosiarce.

WSKAZÓWKA: Jeśli po koszeniu wysokość trawnika jest nierówna, efekt końcowy nie jest zadowalający lub w trakcie koszenia spada prędkość obrotowa silnika, należy zmniejszyć prędkość koszenia lub zwiększyć wysokość koszenia.

Opróżnianie kosza na trawę

⚠ OSTRZEŻENIE: W celu zmniejszenia ryzyka wypadku regularnie sprawdzać kosz na trawę pod kątem ewentualnych uszkodzeń lub pogorszenia wytrzymałości materiału. Wymienić kosz na trawę w razie potrzeby.

1. Zwolnić dźwignię przełącznika i dźwignię jazdy (model DLM481/DLM539) lub zwolnić dźwignię przełącznika (model DLM480/DLM538).
2. Wyjmij kluczyk.
3. Otworzyć tylną pokrywę i wyjąć kosz na trawę, chwytając za jego uchwyt.
► Rys.37: 1. Tylna pokrywa 2. Uchwyt 3. Kosz na trawę
4. Opróżnij kosz na trawę.

KONSERWACJA

⚠ OSTRZEŻENIE: Przed schowaniem kosiarki lub przystąpieniem do jej przenoszenia, kontroli bądź konserwacji należy zawsze wyjąć kluczyk i akumulator.

⚠ OSTRZEŻENIE: Gdy kosiarka nie jest używana, należy zawsze wyjmować kluczyk. Kluczyk należy przechowywać w bezpiecznym, niedostępnym dla dzieci miejscu.

⚠ OSTRZEŻENIE: Przed przystąpieniem do przeglądu lub prac konserwacyjnych należy założyć rękawice.

⚠ OSTRZEŻENIE: Podczas kontroli lub konserwacji należy zawsze nosić gogle ochronne lub okulary ochronne z bocznymi osłonami.

UWAGA: Nie stosować benzyny, rozpuszczalników, alkoholu itp. środków. Mogą one powodować odbarwienia, odkształcenia lub pęknięcia.

W celu zachowania odpowiedniego poziomu BEZPIECZEŃSTWA I NIEZAWODNOŚCI produktu wszelkie naprawy i różnego rodzaju prace konserwacyjne lub regulacje powinny być przeprowadzane przez autoryzowany lub fabryczny punkt serwisowy narzędzi Makita, zawsze z użyciem oryginalnych części zamiennych Makita.

Konserwacja

1. Wyjąć kluczyk i akumulatory, a następnie zamknąć pokrywę akumulatora.
2. Położyć kosiarkę na boku. Usunąć resztki trawy nagromadzone pod kosiarką.
3. Kierować wodę na spód maszyny, tam gdzie przymocowany jest nóż.

UWAGA: Nie myć maszyny wodą pod wysokim ciśnieniem.

4. Sprawdzić, czy wszystkie nakrętki, śruby, wkręty itp. są dobrze dokręcone.
5. Sprawdź, czy części ruchome nie są uszkodzone, złamane ani zużyte. Uszkodzone lub brakujące części należy naprawić lub wymienić.
6. Kosiarkę należy przechowywać w bezpiecznym, niedostępnym dla dzieci miejscu.

Model DLM481/DLM539

UWAGA: Nie wlewać wody do miejsca przedstawionego na rysunku. Wlewanie wody do zespołu silnika może spowodować usterkę maszyny.

- **Rys.38:** 1. Miejsce, do którego nie należy wlewać wody

Model DLM481/DLM539

UWAGA: Gdy maszyna jest ustawiona w pozycji pionowej, jak pokazano na rysunku, nie należy polewać jej wodą. Gdy maszyna jest ustawiona w pionie, woda może dostać się do zespołu silnika, powodując nieprawidłowe działanie maszyny.

- **Rys.39**

Przenoszenie kosiarki

▲PRZESTROGA: Przed przeniesieniem kosiarki należy się upewnić, czy akumulator i kluczyk zostały wyjęte.

W celu przeniesienia kosiarki powinny ją chwycić dwie osoby: jedna za rękojeść tylną, a druga za dolny uchwyt z przodu maszyny, tak jak przedstawiono to na rysunku.

- **Rys.40:** 1. Dolny uchwyt 2. Tylna rękojeść

Przechowywanie

▲PRZESTROGA: Podczas ustawiania maszyny w pionie należy umieścić ją na płaskiej i stabilnej powierzchni. Jeśli maszyna zostanie ustawiona na niestabilnej powierzchni, może się wywrócić i spowodować obrażenia.

Przechowywać kosiarkę w chłodnym, suchym i zamkniętym miejscu. Nie przechowywać kosiarki ani ładowarki w miejscu, w którym temperatura może osiągnąć lub przekroczyć 40°C.

1. Wyjąć akumulator i kluczyk.
 2. Obrócić pokrętko o 90°, jednocześnie ciągnąc pokrętko w dolnym uchwycie, aby zwolnić kołek blokujący. Wykonać tę samą procedurę po drugiej stronie, a następnie złożyć uchwyt.
- **Rys.41:** 1. Pokrętko

WSKAZÓWKA: Podpieranie uchwytu ułatwia zwolnienie kołka blokującego przy pociąganiu za pokrętko.

3. Obrócić pokrętko po obu stronach o 90°. Upewnić się, że pokrętła są dobrze zamocowane.

Model DLM481/DLM539

- **Rys.42:** 1. Pokrętko

Model DLM480/DLM538

- **Rys.43:** 1. Pokrętko

UWAGA: Należy zachować ostrożność, aby nie ścisnąć przewodów podczas składania uchwytu.

4. Poluzować nakrętki motylkowe po obu stronach, a następnie złożyć górny uchwyt tak, jak pokazano na rysunku.

- **Rys.44:** 1. Nakrętka motylkowa 2. Górny uchwyt

5. Ustawić maszynę w pozycji pionowej.

WSKAZÓWKA: Podczas ustawiania kosiarki w pozycji pionowej nie chwytaj tylko za uchwyt; należy przytrzymać za korpus kosiarki i za uchwyt.

6. Schować kosz na trawę, jak pokazano na rysunku.

- **Rys.45:** 1. Kosz na trawę

- **Rys.46:** 1. Kosz na trawę

Zakładanie i zdejmowanie noża kosiarki

▲OSTRZEŻENIE: Nóż porusza się siłą rozpędu jeszcze przez kilka sekund po zwolnieniu przełącznika. Nie przystępować do jakichkolwiek czynności, dopóki nóż nie zatrzyma się całkowicie.

▲OSTRZEŻENIE: Podczas zakładania lub zdejmowania noża należy zawsze wyjąć kluczyk i akumulator. Niewyjęcie kluczyka i akumulatora może prowadzić do poważnych obrażeń ciała.

▲OSTRZEŻENIE: Podczas wykonywania czynności wymagających kontaktu z nożem należy nosić rękawice ochronne.

Zdejmowanie noża kosiarki

1. Połóż kosiarkę na boku w taki sposób, aby dźwignia regulacji wysokości koszenia znajdowała się na dole.

2. Aby zablokować ostrze, włóż kołek do otworu w korpusie kosiarki najdalej, jak to możliwe.

3. Obracaj śrubę w kierunku przeciwnym do ruchu wskazówek zegara za pomocą klucza nasadowego o rozmiarze 17.

- **Rys.47:** 1. Nóż kosiarki 2. Kołek 3. Klucz nasadowy

4. Wymontuj kolejno śrubę i nóż kosiarki.

- **Rys.48:** 1. Podpora noża 2. Nóż kosiarki 3. Śruba 4. Występ

UWAGA: Montując nóż kosiarki, należy zwrócić uwagę, aby występy na podporze noża pasowały do otworów w nożu kosiarki.

Zamontowanie noża kosiarki

⚠️ OSTRZEŻENIE: Nóż kosiarki należy zakładać z zachowaniem ostrożności. Nóż ma górną i dolną stronę.

⚠️ OSTRZEŻENIE: Dokręć mocno śrubę zgodnie z ruchem wskazówek zegara w celu zamocowania noża.

⚠️ OSTRZEŻENIE: Upewnij się, że nóż kosiarki oraz wszystkie elementy mocujące są zamontowane prawidłowo i dobrze dokręcone.

⚠️ OSTRZEŻENIE: Podczas wymiany noża należy zawsze postępować zgodnie z instrukcją opisaną w niniejszej instrukcji.

UWAGA: Po zamontowaniu noży kosiarki należy wyjąć kolek z korpusu kosiarki.

Aby zamontować noże kosiarki, należy wykonać czynności procedury zdejmowania w odwrotnej kolejności.

ROZWIĄZYWANIE PROBLEMÓW

Przed oddaniem maszyny do naprawy należy najpierw przeprowadzić samodzielną kontrolę. W razie napotkania problemu, który nie został wyjaśniony w instrukcji, nie należy próbować demontować maszyny we własnym zakresie. Należy natomiast zlecić naprawę w autoryzowanym centrum serwisowym firmy Makita; zawsze z użyciem oryginalnych części zamiennych Makita.

Nieprawidłowe działanie	Prawdopodobna przyczyna (usterka)	Rozwiązanie
Kosiarka nie uruchamia się.	Nie są włożone dwa akumulatory.	Włożyć dwa naładowane akumulatory.
	Problem z akumulatorem (za niskie napięcie)	Naładować akumulator. Jeśli naładowanie akumulatora nie przynosi skutku, należy go wymienić.
	Kluczyk nie jest włożony.	Włożyć kluczyk.
Silnik wyłącza się po krótkim czasie.	Niski poziom naładowania akumulatora.	Naładować akumulator. Jeśli naładowanie akumulatora nie przynosi skutku, należy go wymienić.
	Wysokość cięcia jest zbyt niska.	Zwiększyć wysokość cięcia.
	Skoszona trawa zapchała kosiarkę.	Wyjąć skoszoną trawę z kosiarki.
Silnik nie może osiągnąć maksymalnych obrotów.	Akumulator jest włożony nieprawidłowo.	Włożyć akumulator zgodnie z opisem w niniejszej instrukcji.
	Spada moc akumulatora.	Naładować akumulator. Jeśli naładowanie akumulatora nie przynosi skutku, należy go wymienić.
	Układ napędowy nie działa prawidłowo.	Zlecić naprawę w lokalnym autoryzowanym punkcie serwisowym.
Nóż kosiarki nie obraca się: ⇒ natychmiast wyłączyć kosiarkę!	Obcy przedmiot, taki jak gałąź, zakleszczył się w pobliżu noża.	Usunąć przeszkodę.
	Układ napędowy nie działa prawidłowo.	Zlecić naprawę w lokalnym autoryzowanym punkcie serwisowym.
Nietypowe drgania: ⇒ natychmiast wyłączyć kosiarkę!	Nóż jest niewyważony; nadmiernie lub nierówno zużyty.	Wymienić nóż.

AKCESORIA OPCJONALNE

⚠️ PRZESTROGA: Zaleca się stosowanie wymienionych akcesoriów i przystawek z maszyną Makita opisaną w niniejszej instrukcji. Stosowanie innych akcesoriów lub przystawek może być przyczyną obrażeń ciała. Akcesoriów lub przystawek należy używać tylko zgodnie z ich przeznaczeniem.

WSKAZÓWKA: Niektóre pozycje znajdujące się na liście mogą być dołączone do pakietu urządzenia jako akcesoria standardowe. Mogą to być różne pozycje, w zależności od kraju.

W razie potrzeby wszelkiej pomocy i szczegółowych informacji na temat niniejszych akcesoriów udziela Państwu lokalne punkty serwisowe Makita.

- Nóż kosiarki
- Oryginalny akumulator i ładowarka firmy Makita

RÉSZLETES LEÍRÁS

Típus:		DLM480	DLM481	DLM538	DLM539
Nyírási szélesség (kés átmérője)		480 mm		534 mm	
Üresjáratú fordulatszám		3 100 min ⁻¹		3 000 min ⁻¹	
A csere fűnyírókés alkatrész azonosítója	Egyenes fűnyírókés	191V97-3		191V96-5 / 191W87-2	
	Mulcsözőkés	191Y64-6		191Y65-4	
Méretek (H x SZ x M)	működés közben	H: 1 690 mm - 1 740 mm SZ: 530 mm M: 930 mm - 1 060 mm		H: 1 810 mm - 1 870 mm SZ: 580 mm M: 920 mm - 1 040 mm	
	tárolva (a fűgyűjtő kosár nélkül)	580 mm x 530 mm x 870 mm		610 mm x 580 mm x 925 mm	
Haladási sebesség		–	2,5 - 5,0 km/h	–	2,5 - 5,0 km/h
Névleges feszültség		36 V, egyenáram			
Nettó tömeg		24,5 - 26,8 kg	27,0 - 29,3 kg	25,5 - 28,0 kg	27,9 - 30,4 kg
Védettségi fokozat		IPX4			

- Folyamatos kutató- és fejlesztőprogramunk eredményeként az itt felsorolt tulajdonságok figyelmeztetés nélkül megváltozhatnak.
- A tulajdonságok országról országra különbözhetnek.
- A súly a felszerelt tartozékoktól függően változhat, az akkumulátort is beleértve. Az EPTA 01/2014 eljárás szerint meghatározott legnehezebb, illetve legkönnyebb kombináció a táblázatban látható.

Alkalmazható akkumulátorok és töltők

Akkumulátor	BL1815N / BL1820B / BL1830B / BL1840B / BL1850B / BL1860B
Töltő	DC18RC / DC18RD / DC18RE / DC18SD / DC18SE / DC18SF / DC18SH / DC18WC


- Lakóhelyétől függően előfordulhat, hogy a fent felsorolt akkumulátorok és töltők nem érhetőek el.


▲ FIGYELMEZTETÉS: Csak a fentiekben felsorolt akkumulátorokat és töltőket használja. Bármilyen más akkumulátor vagy töltő használata sérüléseket és/vagy tüzet okozhat.

▲ FIGYELMEZTETÉS: Ne használjon ezzel a géppel vezetékcsatlakozásos tápegységet, például akkumulátoradap-tert vagy hordozható tápegységet. Az ilyen tápegység kábele akadályozhatja a munkát, és személyi sérülést okozhat.


Szimbólumok


A következőkben a berendezésen esetleg használt jelképek láthatók. A szerszám használata előtt bizonyosodjon meg arról hogy helyesen értelmezi a jelentésüket.

 Legyen különösen elővigyázatos és figyelmes.

 Olvassa el a használati utasítást.

 Veszély: fokozottan ügyeljen a szerszám által kidobott tárgyra!

 A gép és a közelben tartózkodók közötti távolság legalább 15 méter legyen.

 Soha ne tegye kezét vagy lábát a fűnyírókés közelébe a fűnyíró alá. A fűnyírókések a motor kikapcsolása után egy ideig még forognak.



Vegye ki a záró kulcsot a fűnyíró vizsgálat, beállítása, tisztítása, javítása, magára hagyása és tárolása előtt.



Figyelmeztetés: Karbantartás előtt válassza le az akkumulátort.



Elektromos veszély. A vízzel való érintkezés áramütést okozhat.



Ne öntsön rá vizet.



Csak EU-tagállamok számára
Mivel a berendezésben veszélyes alkatrészek vannak, az elektromos és elektronikus berendezések, akkumulátorok és elemek hulladékaik negatív hatással lehetnek a környezetre és az emberi egészségre. Az elektromos és elektronikus készülékeket vagy akkumulátorokat ne dobja a háztartási szemétkébe!
Az elektromos és elektronikus berendezések hulladékaikról és az akkumulátorokról és elemekről, valamint az akkumulátorok és elemek hulladékaikról szóló európai irányelvnek, valamint a nemzeti jogszabályokhoz történő adaptálásának megfelelően a használt elektromos berendezéseket, elemeket és akkumulátorokat külön kell tárolni, és a települési hulladék elkülönített gyűjtőhelyére kell szállítani a környezetvédelmi előírásoknak megfelelően.
Ezt jelzi a berendezésen elhelyezett áthúzott kerek kuka szimbólum.



Garantált hangteljesítményszint az EU szabadterületi zajvédelmi irányelvének megfelelően.



Hangteljesítményszint Ausztrália NSW tartománya zajszabályozási rendelete szerint

Rendeltetés

A gépet fűnyírásra szánták.

Zaj

A tipikus A-súlyozású zajszint, az EN60335-2-77 szerint meghatározva:

DLM480 típus

Hangnyomásszint (L_{pA}): 84 dB(A)
Hangteljesítményszint (L_{WA}): 92 dB (A)
Bizonytalanság (K): 3 dB(A)

DLM481 típus

Hangnyomásszint (L_{pA}): 84 dB(A)
Hangteljesítményszint (L_{WA}): 92 dB (A)
Bizonytalanság (K): 3 dB(A)

DLM538 típus

Hangnyomásszint (L_{pA}): 85 dB(A)
Hangteljesítményszint (L_{WA}): 96 dB (A)
Bizonytalanság (K): 3 dB(A)

DLM539 típus

Hangnyomásszint (L_{pA}): 85 dB(A)
Hangteljesítményszint (L_{WA}): 96 dB(A)
Bizonytalanság (K): 3dB(A)

MEGJEGYZÉS: A zajkibocsátás értéke a szabványos vizsgálati eljárásnak megfelelően lett mérve, és segítségével az elektromos kéziszerszámok összehasonlíthatók egymással.

MEGJEGYZÉS: A zajkibocsátás értékének segítségével előzetesen megbecsülhető a rezgésnek való kitétség mértéke.

▲FIGYELMEZTETÉS: Viseljen fülvédőt!

▲FIGYELMEZTETÉS: A szerszám zajkibocsátása egy adott alkalmazásnál eltérhet a megadott értéktől a használat módjától, különösen a feldolgozott munkadarab fajtájától függően.

▲FIGYELMEZTETÉS: Határozza meg a kezelő védelmét szolgáló munkavédelmi lépéseket, melyek az adott munkafeltételek melletti vibrációs hatás becslött mértékén alapulnak (figyelembe véve a munkaciklus elemeit, mint például a gép leállításának és üresjáratának mennyiségét az elindítások száma mellett).

Vibráció

A vibráció teljes értéke (háromtengelyű vektorösszeg) az EN60335-2-77 szerint meghatározva:

DLM480 típus

Rezgés kibocsátás (a_h): 2,5 m/s² vagy kisebb
Bizonytalanság (K): 1,5 m/s²

DLM481 típus

Rezgés kibocsátás (a_h): 2,5 m/s² vagy kisebb
Bizonytalanság (K): 1,5 m/s²

DLM538 típus

Rezgés kibocsátás (a_h): 2,5 m/s² vagy kisebb
Bizonytalanság (K): 1,5 m/s²

Típus: DLM539

Rezgés kibocsátás (a_h): 2,5 m/s² vagy kisebb
Bizonytalanság (K): 1,5 m/s²

MEGJEGYZÉS: A rezgés teljes értéke a szabványos vizsgálati eljárásnak megfelelően lett mérve, és segítségével az elektromos kéziszerszámok összehasonlíthatók egymással.

MEGJEGYZÉS: A rezgés teljes értékének segítségével előzetesen megbecsülhető a rezgésnek való kitétség mértéke.

▲FIGYELMEZTETÉS: A szerszám rezgés kibocsátása egy adott alkalmazásnál eltérhet a megadott értéktől a használat módjától, különösen a feldolgozott munkadarab fajtájától függően.

▲FIGYELMEZTETÉS: Határozza meg a kezelő védelmét szolgáló munkavédelmi lépéseket, melyek az adott munkafeltételek melletti vibrációs hatás becslött mértékén alapulnak (figyelembe véve a munkaciklus elemeit, mint például a gép leállításának és üresjáratának mennyiségét az elindítások száma mellett).

EK Megfelelőségi nyilatkozat

Csak európai országokra vonatkozóan

Az EK-megfelelőségi nyilatkozat az útmutató „A” mellékletében található.

BIZTONSÁGI FIGYELMEZTETÉS

A szerszámgépekre vonatkozó általános biztonsági figyelmeztetések

▲ FIGYELMEZTETÉS: Olvassa el a szerszámgéphez mellékelt összes biztonsági figyelmeztetést, utasítást, illusztrációt és a műszaki adatokat. A következőkben leírt utasítások figyelmen kívül hagyása elektromos áramütést, tüzet és/vagy súlyos sérülést eredményezhet.

Őrizzen meg minden figyelmeztetést és utasítást a későbbi tájékozódás érdekében.

A figyelmeztetésekből szereplő "szerszámgép" kifejezés az Ön hálózatról (vezetékes) vagy akkumulátorról (vezeték nélküli) működtetett szerszámgépére vonatkozik.

Vezeték nélküli fűnyíróra vonatkozó biztonsági figyelmeztetések

1. **Ne használja a fűnyírót rossz időjárási körülmények esetén, különösen, ha villámlás várható.** Ez csökkenti a villámcsapás veszélyét.
2. **Alaposan vizsgálja át a terület élővilágát, ahol a fűnyírót használni fogják.** A fűnyíró működése közben károkat okozhat az élővilágnak.
3. **Alaposan vizsgálja át a területet, ahol a fűnyírót használni fogják, és távolítsa el minden követ, botot, vezetéket, csontot és egyéb idegen tárgyat.** A repülő tárgyak személyi sérülést okozhatnak.
4. **A fűnyíró használat előtt mindig szemrevételezéssel ellenőrizze, hogy a penge és a pengeszerezvény ne legyen elhasználódott vagy sérült.** Az elhasználódott vagy sérült alkatrészek növelik a sérülés kockázatát.
5. **Gyakran ellenőrizze a fűfelfogó esetleges kopását vagy eldeformálódását.** Az elhasználódott vagy sérült fűfelfogó növelheti a sérülés kockázatát.
6. **Tartsa a pengevédőket a helyükön. A pengevédőknek a helyükön kell lenniük működőképes állapotban és helyesen felszerelve.** A laza, sérült vagy nem megfelelően működő pengevédő személyi sérülést okozhat.
7. **Ne engedje, hogy törmelék kerüljön a hűtőlégbeömlőbe.** Az elzáródott légbeömlők és a törmelék túlmelegedést vagy tűzveszélyt okozhatnak.
8. **A fűnyíró használatában mindig csúszás- és gátló munkavédelmi lábbelit viseljen. Ne működtesse a fűnyírót mezítláb vagy nyitott szandálban.** Ez csökkenti a mozgó késsel történő érintkezés okozta lábfej-sérülés esélyét.

9. **A fűnyíró használata közben mindig hosszú nadrágot viseljen.** A repülő tárgyaknak kitett bőrfelület növeli a sérülés valószínűségét.
10. **Ne működtesse a fűnyírót nedves fűben. Sétálva haladjon, soha ne fusson.** Így elkerülheti az elcsúszás és elesés kockázatát, ami személyi sérülést okozhat.
11. **Ne használja a fűnyírót túl meredek lejtőn.** Így elkerülheti a gép feletti uralom elvesztésének, az elcsúszásnak és az elesésnek a kockázatát, ami személyi sérülést okozhat.
12. **Ha lejtőn dolgozik, ügyeljen arra, hogy biztonságosan álljon, a lejtőn keresztirányban dolgozzon és soha sem felfelé vagy lefelé haladjon, irányváltáskor pedig különös óvatossággal járjon el.** Így elkerülheti a gép feletti uralom elvesztésének, az elcsúszásnak és az elesésnek a kockázatát, ami személyi sérülést okozhat.
13. **Különösen óvatosan járjon el tolatáskor, illetve amikor a fűnyírót maga felé húzza. Mindig figyeljen a környezetére.** Ez csökkenti a működés közbeni megbotlás kockázatát.
14. **Ne érjen a késekhez és más veszélyes mozgó alkatrészekhez, amikor még mozgásban vannak.** Így csökkenti a mozgó alkatrészek okozta sérülés kockázatát.
15. **Az elakadt anyag eltávolításakor vagy a fűnyíró tisztításakor ügyeljen arra, hogy az összes főkapcsoló ki legyen kapcsolva és az akkumulátor le legyen választva.** A fűnyíró áramtalan beindulása súlyos személyi sérüléssel járhat.

ŐRIZZE MEG EZEKET AZ UTASÍTÁSOKAT.

▲ FIGYELMEZTETÉS: NE HAGYJA, hogy (a termék többszöri használatából eredő) kényelem és megszokás váltsa fel a termék biztonsági előírásainak szigorú betartását.

A HELYTELEN HASZNÁLAT és a használati útmutatóban szereplő biztonsági előírások megszegése súlyos személyi sérülésekhez vezethet.

FONTOS BIZTONSÁGI SZABÁLYOK

▲ FIGYELMEZTETÉS: Olvassa el az összes biztonsági figyelmeztetést és utasítást. Ha nem tartja be a figyelmeztetéseket és utasításokat, akkor áramütés, tűz és/vagy súlyos sérülés következhet be.

Őrizzen meg minden figyelmeztetést és utasítást a későbbi tájékozódás érdekében.

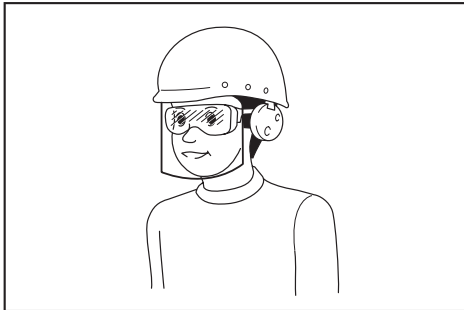
Oktatás

1. **Figyelmesen olvassa el az útmutatót. Sajátítsa el a fűnyíró helyes használatát és a kezelőszervek működtetését.**
2. **Soha ne engedje, hogy gyermekek vagy ezen utasításokat nem ismerő személyek használják a fűnyírót. Előfordulhat, hogy a helyi törvények rendelkeznek a kezelő életkorát illetően.**

3. Ne működtesse a fűnyírót, ha emberek – különösen gyermekek – vagy háziállatok tartózkodnak a közelben.
4. Ne felelde, hogy a kezelő, illetve felhasználó felelős a balesetekért vagy a más személyekkel vagy tulajdonnal szembeni veszélyhelyzetekért.
5. Ügyelni kell arra, hogy gyermekek ne játszhassanak a fűnyíróval.
6. Fizikai állapot – Ne használja a fűnyírót, ha drog, alkohol vagy gyógyszer hatása alatt áll.

Felkészülés

1. A fűnyíró használata közben megfelelő lábbelit és hosszú nadrágot viseljen. Ne működtesse a fűnyírót mezít láb vagy nyitott szandálban. Kerülje a laza, vagy lógó részekkel, szalagokkal rendelkező ruhák vagy ékszerek viselését. Ezeket a mozgó alkatrészek becsíphetik.
2. Használat előtt mindig ellenőrizze szemrevételezéssel a fűnyírót, nem sérültek-e, hiányoznak-e vagy rosszul vannak elhelyezve a védőelemek.
3. A fűnyírás előtt a területen ne legyenek más emberek. Állítsa le a fűnyírót, ha valaki más is a területre lép.
4. Ne helyezze be a kulcsot a fűnyíróba, amíg az nem áll készen a használatra.
5. Elektromos szerszámok használatakor mindig viseljen védőszemüveget a szem védelme érdekében. A szemüvegnek meg kell felelnie az ANSI Z87.1 szabványnak az Egyesült Államokban, az EN 166 szabványnak Európában, illetve az AS/NZS 1336 szabványnak Ausztráliában/Új-Zélandon. Ausztráliában/Új-Zélandon törvény írja elő az arcvédő használatát is, amely biztosítja az arc védelmét.



A munkaadó felelőssége, hogy a megfelelő biztonsági védőeszköz viselésére kötelezze a szerszám kezelőit és a közvetlen munkaterületen lévő más személyeket.

6. Gondosan ellenőrizze a késeket vagy a fejescsavarokat használat előtt, repedések vagy sérülések tekintetében. Azonnal cserélje ki a megrepedt vagy sérült késeket vagy fejescsavarokat.
7. Távolítsa el az idegen anyagokat, például köveket, drótokat, palackokat, csontokat és nagyobb botokat a területről, hogy elkerülje a személyi sérülésnek vagy a fűnyíró károsodásának.

8. A fűnyíró kése által megütött tárgyak súlyos személyi sérülést okozhatnak. A gyeplet mindig körültekintően meg kell vizsgálni, és minden fűnyírás előtt el kell távolítani minden objektumot.
9. Figyeljen a lyukakra, kerékvágásokra, kiemelkedésekre, sziklára és más rejtett tárgyra. Az egyenetlen terep elcsúszással és eleséssel járó balesetet okozhat. A magas fű akadályokat rejtget.
10. Használjon személyi védőfelszerelést. Mindig viseljen védőszemüveget. A megfelelő körülmények megteremtése érdekében használt biztonsági felszerelések, mint például a pormaszk, csúszásmentes cipő, védősisak vagy hallásvédelmi eszközök csökkentik a személyi sérülések előfordulását.

Működtetés

1. Ne hajoljon előre túlságosan. Mindig egyensúly megtartásával dolgozzon. Lejtőn mindig bizonyosodjon meg lába kellő megátmasztásáról. Sétálva haladjon, soha ne fusson.
2. Állítsa le a fűnyírót, vegye ki a kulcsot, és győződjön meg arról, hogy minden mozgó alkatrész teljesen leállt:
 - minden alkalommal, amikor magára hagyja a fűnyírót,
 - akadályok vagy eltömődések elhárítása előtt,
 - ellenőrzés, tisztítás vagy a fűnyírón való munkavégzés előtt,
 - idegen tárgyba ütközés után. Vizsgálja át a fűnyírót, hogy nem sérült-e meg, és végezze el a szükséges javításokat az ismételt elindítás és használat előtt,
 - ha a fűnyíró rendellenesen rázkódni kezd.
3. Soha ne használja a fűnyírót hibás védőelemekkel vagy biztonsági eszközök nélkül, például a terelelemek és/vagy a fűgyűjtő kosár felszerelése nélkül.
4. Kerülje a fűnyíró használatát rossz időjárási körülmények esetén, különösen, ha villámlás várható.
5. A fűnyíró használata közben viseljen védőszemüveget és zárt lábbelit.
6. A fűnyírót csak napközben vagy kellően erős mesterséges megvilágítás mellett használja.
7. A fűnyírót óvatosan, az utasításoknak megfelelően indítsa be, és lábát tartsa kellő távolságra a kés(ek)től.
8. Ügyeljen a fűnyírókésekre, mivel láb- és kézserüléseket okozhatnak.
9. Mindig ellenőrizze, hogy a szellőzőnyílásokat nem tömítette-e el törmelék.
10. A lejtőkön oldalirányba haladjon át, ne lefelé vagy felfelé. Különösen óvatosan járjon el a lejtőn való irányváltáskor. Ne végezzen fűnyírást túl meredek lejtőkön.
11. Különösen óvatosan járjon el tolatáskor, illetve amikor a fűnyírót maga felé húzza.
12. Várja meg, míg a kések leállnak, ha a fűnyírót egy nem füves területen való áthaladás érdekében meg kell dönteni, vagy amikor a fűnyírót a levágandó területhez/területről szállítja.

13. Ne döntse meg a fűnyírót a motor bekapcsolásakor, kivéve, ha a fűnyírót a beindításhoz kell dönteni. Ebben az esetben se döntse meg jobban a szükségesnél, és a fűnyírót a kezelővel ellentétes oldalát megemelve döntse meg. Mielőtt a fűnyírót újra a földre teszi mindig ügyeljen arra, hogy mindkét keze a működtetési helyzetben legyen.
 14. Ne tegye kezét és lábát forgó alkatrészek alá vagy azokhoz közel. A kidobónyílást mindig tartsa szabadon.
 15. Ne szállítsa a fűnyírót bekapcsolt állapotban.
 16. Kerülje a fűnyíró használatát nedves fűben.
 17. Mindig tartsa szilárdan a fogantyút.
 18. Ne fogja meg a csupaszk késeket vagy vágóéleket, amikor felemeli vagy megtartja a fűnyírót.
 19. Tartsa kezét és lábát távol a forgó késektől. Vigyázat – A kések a fűnyíró kikapcsolása után még szabadon forognak.
 20. Ha bármi rendellenességet észlel, azonnal állítsa le a gépet. Kapcsolja ki a fűnyírót, és vegye ki a kulcsot. Ezt követően vizsgálja meg a fűnyírót.
 21. Ha a fűnyíró rendelkezik vágási magasságot beállító funkcióval, soha ne próbálja meg a fűnyíró működése közben állítani a vágási magasságot.
 22. Engedje el a kapcsolókart, és várjon, amíg a kések forgása leáll, mielőtt felhajtón, ösvényen, úton és kavicsos területen menne át. Vegye ki a kulcsot akkor is, ha eltávolodik a fűnyírótól, hogy felvegyen valamit, vagy elvegyen valamit az útból, vagy bármely más okból, amely elvonhatja a figyelmét a végzett munkától.
 23. Ha a fűnyíró egy idegen tárgyba ütközik, kövesse az alábbi lépéseket:
 - Állítsa le a fűnyírót, engedje el a kapcsolókart és várjon, amíg a kés teljesen leáll.
 - Vegye ki a kulcsot és az akkumulátort.
 - Vizsgálja át alaposan a fűnyírót, hogy megkeresse az esetleges károsodásokat.
 - Cserélje ki a kést, ha az bármi módon károsodott. A fűnyíró további használata előtt javítson ki minden károsodást.
 24. Ne indítsa el a fűnyírót, amikor a kidobónyílás előtt áll.
 25. Ha a fűnyíró szokatlan módon kezd vibrálni (azonnali ellenőrzés)
 - ellenőrizze, hogy nem károsodott-e,
 - cserélje ki vagy javítsa meg a sérült alkatrészeket,
 - ellenőrizze és húzza meg a laza alkatrészeket.
 26. Soha ne irányítsa senki felé a kilökött anyagot. Ne irányítsa a kilökött anyagot egy fal vagy akadály felé. Az anyag visszapatlanhat a kezelő irányába. Állítsa le a kést, amikor kavicsos területen megy keresztül.
 27. Ne húzza visszafelé a fűnyírót, ha nem feltétlenül szükséges. Ha arra kényszerül, hogy hátrahúzza a fűnyírót egy kerítéstől vagy más hasonló akadálytól, nézzen lefelé és hátra, mielőtt és miközben hátrafelé mozog.
 28. Kapcsolja ki a motort, és várja meg, amíg a kés teljesen leáll, mielőtt eltávolítja a felfogót. Vegye figyelembe, hogy a kések a kikapcsolás után még mozognak.
 29. Ha sáros talajon, nedves lejtőn vagy csúszós helyen használja a gépet, figyeljen oda a lábtartására.
 30. Ne merítse bele a gépet egy tócsába.
 31. A gép működtetésekor figyeljen oda a csöveknek és vezetéknek.
- Karbantartás és tárolás**
1. A biztonság érdekében cserélje ki a kopott vagy sérült alkatrészeket. Csak eredeti pótalkatrészeket és tartozékokat használjon.
 2. Rendszeresen vizsgálja és tartsa karban a fűnyírót.
 3. Amikor nincs használatban, tárolja a fűnyírót olyan helyen, ahol gyerekek nem érhetik el.
 4. A berendezés biztonságos műszaki állapotának biztosítása érdekében a csavarok és anyák mindig legyenek szorosra meghúzva.
 5. Gyakran ellenőrizze a fűgyűjtő kosár esetleges kopását vagy eldeformálódását. A tároláshoz mindig győződjön meg arról, hogy a fűgyűjtő kosár üres. Cserélje ki az elhasznált fűgyűjtő kosarat egy új gyári cseredarabbal.
 6. Csak a kézikönyvben megadott eredeti gyártói késeket használja.
 7. Legyen óvatos a fűnyíró beállítása során, nehogy beszoruljon az ujjá a mozgó kések és a fűnyíró rögzített alkatrészei közé.
 8. Rendszeresen ellenőrizze a késrögzítő csavar megfelelő feszességét.
 9. Tárolás előtt mindig hagyja lehűlni a fűnyírót.
 10. A kések szervizelése során ne feledje, hogy a kések elmozdíthatók még kikapcsolt áramforrás esetén is.
 11. Soha ne távolítsa el a biztonsági berendezéseket, és ne nyúljon hozzájuk. Rendszeresen ellenőrizze a megfelelő működésüket. Soha ne tegyen semmit, ami megzavarhatja a biztonsági berendezés tervezett működését, vagy csökkentheti a biztonsági berendezés által nyújtott védelmet.
 12. Ne hagyja a gépet őrizenlenül kültéren az esőben.
 13. A gép tárolásakor kerülje a közvetlen napsütést és az esőt, és olyan helyen tárolja, amely nem forróodik fel és nem párosodik be.
- Akkumulátoros szerszám használata és karbantartása**
1. Csak a gyártó által meghatározott töltővel töltsen fel az akkumulátort. Egy bizonyos akkumulátortípushoz használható töltő más akkumulátortípussal való használata tűzveszélyt idézhet elő.
 2. A szerszámgepeket kizárólag a meghatározott akkumulátorokkal használja. Egyéb akkumulátorok használata sérülés vagy tűz kockázatával járhat.

3. Amikor az akkumulátort nem használja, tartsa távol a többi fémtárgytól, például iratkapcsoktól, érméktől, kulcsoktól, szögektől, csavaroktól vagy egyéb olyan apró fémtárgyaktól, amelyek összekötését hozhatnak létre a pólusok között. Az akkumulátor pólusainak rövidre zárása égési sérüléseket vagy tüzet okozhat.
4. Helytelen működtetés esetén az akkumulátorból folyadék kerülhet ki; kerülje az ezzel való érintkezést. Ha véletlenül mégis érintkezésbe kerülne a folyadékkal, mossa le azt vízzel. Ha a folyadék szemébe jut, azonnal forduljon orvoshoz segítségért. Az akkumulátorból származó folyadék irritációt és égéseket okozhat.
5. Ne használjon sérült vagy módosított akkumulátort vagy szerszámot. A sérült vagy módosított akkumulátorok váratlan módon viselkedhetnek, melynek következtében tüzet, robbanást vagy sérülést okozhatnak.
6. Ne tegye ki az akkumulátort és a szerszámot nyílt lángnak vagy túlzott hőhatásnak. A tűz hatása és a 130 °C feletti hőmérséklet robbanást okozhat.
7. A töltésre vonatkozó minden utasítást tartson be, ne töltse az akkumulátort vagy a szerszámot a megadott hőmérséklettartományon kívül. A nem megfelelő módú és nem megfelelő hőmérsékleten történő töltés az akkumulátor károsodásával járhat, valamint tüzet okozhat.

Az elektromos áramra és az akkumulátorra vonatkozó biztonsági tudnivalók

1. **Az akkumulátor(oka)t ne dobja tűzbe.** Az akkumulátor felrobbanhat. Nézzon utána, hogy a helyi törvények tartalmazznak-e az ártalmatlanításra vonatkozó különleges rendelkezéseket.
2. **Ne nyissa fel és ne vágja szét az akkumulátor(oka)t.** A kifolyt elektrolit korrozív hatású, továbbá a szem és a bőr sérülését okozhatja. Lenyelése mérgezést okozhat.
3. **Ne töltse az akkumulátort esőben vagy nedves helyen.**
4. **Ne töltse az akkumulátort kültéren.**
5. **Ne kezelje a töltőt, beleértve a töltőcsatlakozót, és a töltő kivezetéseit nedves kézzel.**
6. **Ne cserélje az akkumulátort esőben.**
7. **Ne nedvesítse meg az akkumulátor érintkezőit folyadékkal, például vízzel, és ne merítse bele az akkumulátort. Ne hagyja az akkumulátort az esőben, és ne töltse, használja vagy tárolja az akkumulátort nyirkos vagy nedves helyen.** Ha az érintkezők benedvesednek vagy víz kerül az akkumulátor belsejébe, az akkumulátor rövidre záródhat, és fennáll a túlmelegedés, tűz vagy robbanás kockázata.
8. **Miután eltávolította az akkumulátort a gépből vagy a töltőből, gondoskodjon róla, hogy csatlakoztassa az akkumulátorhoz a fedelét, és tárolja száraz helyen.**
9. **Ne cserélje az akkumulátort nedves kézzel.**
10. **Kerülje a veszélyes környezetet. Ne használja a gépet nyirkos, nedves helyen, és ne tegye ki esőnek.** A gépbe kerülő víz növeli az áramütés kockázatát.

11. **Ha az akkumulátor nedves lesz, szárítsa fel a vizet, majd száraz kendővel törölje le. Használat előtt teljesen szárítsa meg az akkumulátort egy száraz helyen.**

Szerviz

1. **Elektromos szerszámának szervizelését bizza eredeti pótalkatrészeket használó képzett javítószemélyzetre.** Ezzel biztosítja hogy az elektromos szerszám biztonsága fennmarad.
2. **Soha ne próbálja javítani a sérült akkumulátorokat.** Az akkumulátorok javítását csak a gyártó és a hivatalos márkaszerviz végezheti.

ŐRIZZE MEG EZEKET AZ UTASÍTÁSOKAT.

▲ FIGYELMEZTETÉS: NE HAGYJA, hogy (a termék többszöri használatából eredő) kényelem és megszokás váltsa fel a termék biztonsági előírásainak szigorú betartását.

A HELYTELEN HASZNÁLAT és a használati útmutatóban szereplő biztonsági előírások megszegése súlyos személyi sérülésekhez vezethet.

Fontos biztonsági utasítások az akkumulátorra vonatkozóan

1. **Az akkumulátor használata előtt tanulmányozza át az akkumulátortöltőt (1), az akkumulátort (2) és az akkumulátorral működtetett terméken (3) olvasható összes utasítást és figyelmeztető jelzést.**
 2. **Ne szerelje szét, és ne módosítsa az akkumulátort.** Tüzet, túlzott hőt vagy robbanást okozhat.
 3. **Ha a működési idő nagyon lerövidült, azonnal hagyja abba a használatot. Ez a túlmelegedés, esetleges égések és akár robbanás veszélyével is járhat.**
 4. **Ha elektrolit kerül a szemébe, mossa ki azt tiszta vízzel és azonnal kérjen orvosi segítséget. Ez a látásának elvesztését okozhatja.**
 5. **Ne zárja rövidre az akkumulátort:**
 - (1) **Ne érjen az érintkezőkhöz elektromosan vezető anyagokkal.**
 - (2) **Ne tárolja az akkumulátort más fémtárgyakkal, mint pl. szegekkel, érmékkel, stb. egy helyen.**
 - (3) **Ne tegye ki az akkumulátort víznek vagy esőnek.**
- Az akkumulátor rövidzárlata nagy áramerősséget, túlmelegedést, égéseket, sőt akár meghibásodást is okozhat.**
6. **Ne tárolja és használja a szerszámot vagy az akkumulátort olyan helyen, ahol a hőmérséklet elérheti vagy meghaladhatja az 50 °C-t (122 °F).**
 7. **Ne égesse el az akkumulátort még akkor sem, ha az komolyan megsérült vagy teljesen elhasználódott. Az akkumulátor a tűzben felrobbanhat.**
 8. **Ne szúrja meg, ne vágja meg, ne törje össze, ne dobja el és ne ejtse le az akkumulátort, illetve ne üsse hozzá kemény tárgyhoz. Az ilyen magatartás tüzet, túlzott hőt vagy robbanást okozhat.**

9. **Ne használjon sérült akkumulátort.**
10. **A készülékben található lítium-ion akkumulátorokra a veszélyes árukkal kapcsolatos előírások vonatkoznak.**
A termék pl. harmadik felek, fuvarozó cégek stb. által történő szállítása esetén minden esetben tartsa szem előtt a csomagoláson és a címkén található speciális követelményeket.
A termék szállításra történő felkészítése esetén vegye fel a kapcsolatot egy veszélyes anyagokkal foglalkozó szakemberrel. Kérjük, hogy az esetlegesen szigorúbb nemzeti előírásokat is vegye figyelembe.
Ragassza le a kiálló érintkezőket, illetve oly módon csomagolja be az akkumulátort, hogy az ne tudjon elmozdulni a csomagolásban.
11. **Az akkumulátor ártalmatlanításakor vegye ki azt a szerszámból, és ártalmatlanítsa egy biztonságos helyen. Az akkumulátor ártalmatlanításakor tartsa be a helyi előírásokat.**
12. **Az akkumulátorokat csak a Makita által megjelölt termékekhez használja.** Ha az akkumulátorokat azokkal nem kompatibilis termékekbe helyezi, az tűzhöz, túlmelegedéshez, robbanáshoz vagy elektrolitszivárgáshoz vezethet.
13. **Ha a szerszám hosszabb ideig nincs használatban, az akkumulátort ki kell venni a szerszámból.**
14. **Használat közben és után az akkumulátor felforrósodhat, ami égési sérülést vagy alacsony hőmérsékletű égési sérülést okozhat. Figyeljen oda a forró akkumulátor kezelésére.**
15. **Ne érintse meg közvetlenül a szerszám érintkezőjét, mert elég forró lehet ahhoz, hogy égési sérüléseket okozzon.**
16. **Ne engedje, hogy forgács, por vagy sár tapadjon az akkumulátor érintkezőire, lyukaiba és hornyaiba.** Az felmelegedést, tüzet, robbanást és a szerszám vagy az akkumulátor meghibásodását okozhatja, ami égési és személyi sérülésekhez vezet.
17. **Hacsak a szerszám nem támogatja a nagyfeszültségű elektromos vezetékek közelében történő használatot, ne használja az akkumulátort nagyfeszültségű elektromos vezetékek közelében.** Az a szerszám vagy az akkumulátor hibás működését vagy meghibásodását okozhatja.
18. **Tartsa távol a gyermekektől az akkumulátort.**

ŐRIZZE MEG EZEKET AZ UTASÍTÁSOKAT.

⚠VIGYÁZAT: Csak eredeti Makita akkumulátorokat használjon. A nem eredeti Makita akkumulátorok vagy módosított akkumulátorok használata esetén az akkumulátor felrobbanhat, ami tüzet, személyi sérülést és anyagi kárt okozhat. A Makita szerszámszámra és töltőre vonatkozó Makita garanciát is érvénytelenítheti.

Tippek az akkumulátor maximális élettartamának eléréséhez

1. **Töltse fel az akkumulátort, mielőtt teljesen lemerülne. Állítsa le a gépet, és töltsse fel az akkumulátort, ha a gép erejének csökkenését észleli.**
2. **Soha ne töltsse újra a teljesen feltöltött akkumulátort. A túltöltés csökkenti az akkumulátor élettartamát.**
3. **Töltse az akkumulátort szobahőmérsékleten, 10 °C - 40 °C (50 °F - 104 °F) között. Töltés előtt hagyja lehűlni a főforrósodott akkumulátort.**
4. **Ha nem használja az akkumulátort, vegye ki a szerszámból vagy a töltőből.**
5. **Töltse fel az akkumulátort, ha hosszabb ideje (több mint hat hónapja) nem használta azt.**

ÖSSZESZERELÉS

⚠FIGYELMEZTETÉS: Mindig ügyeljen arra, hogy a kulcsot és az akkumulátort távolítsa el, mielőtt bármilyen munkát végez a fűnyírón. Ha nem távolítja el a kulcsot és az akkumulátort, a véletlenszerű beindulás súlyos sérüléseket okozhat.

⚠FIGYELMEZTETÉS: A fűnyírót kizárólag akkor indítsa be, ha az teljesen össze van szerelve. A részlegesen összeszerelt gép használata súlyos sérüléseket okozhat, ha véletlenül beindul.

A fogatnyű felszerelése

MEGJEGYZÉS: A fogatnyűk felszerelése közben ügyeljen arra, hogy a vezetékét ne csipje be a fogatnyűk közé. Előfordulhat, hogy a fűnyíró nem működik, ha a vezeték sérült.

1. Helyezze egyvonalba az alsó fogatnyű levő furatát a felső fogatnyűn lévő furattal, majd helyezze be kívülről a fejecscsavar, majd szorítsa meg a marokanyát belülről. Hajtsa végre ugyanezt az eljárást a másik oldalon.

Az alábbiakhoz DLM481/DLM539

- ▶ **Ábra1:** 1. Fejecscsavar 2. Marokanya 3. Alsó fogatnyű 4. Felső fogatnyű

Az alábbiakhoz DLM480/DLM538

- ▶ **Ábra2:** 1. Fejecscsavar 2. Marokanya 3. Alsó fogatnyű 4. Felső fogatnyű

2. Forgassa el a gombot 90°-kal, miközben az alsó fogatnyű gombját húzza a rögzítőcsap kioldásához. Hajtsa végre ugyanezt az eljárást a másik oldalon. Emelje fel a fogatnyűt, és forgassa el a gombot 90°-kal mindkét oldalon. Ellenőrizze, hogy a gombokat szilárdan rögzítették-e.

- ▶ **Ábra3:** 1. Gomb

MEGJEGYZÉS: A fogatnyű kitémasztása megkönnyíti a rögzítőcsap kioldását a gomb meghúzásakor.

A mulcsozó betét eltávolítása

1. Nyissa ki a hátsó fedelet.
▶ **Ábra4:** 1. Hátsó fedél
2. Kissé emelje fel a mulcsozó betétet, majd távolítsa el.
▶ **Ábra5:** 1. Mulcsozó betét

A fűgyűjtő kosár összeszerelése

1. Emelje fel a fűgyűjtő kosár felső kapcsát.
▶ **Ábra6:** 1. Felső kapocs
2. Nyomja be a keretet a fűgyűjtő kosárba, ameddig csak lehet, közben tartsa a keret fogantyúját.
▶ **Ábra7:** 1. Fogantyú

MEGJEGYZÉS: Ne nyomja be a fogantyút a fűgyűjtő kosárba. Ügyeljen arra, hogy a keretet a fűgyűjtő kosár varrata mentén nyomja be.

3. Győződjön meg róla, hogy a fűgyűjtő kosár sarkai ne legyenek megereszkedve.
▶ **Ábra8**
4. Nyissa ki a felső kapcsot, és csatlakoztassa a kerethez.
▶ **Ábra9**
5. Csatlakoztassa az összes többi kapcsot az ábrán látható módon. Győződjön meg róla, hogy az összes kapocs biztonságosan van rögzítve a kerethez.
▶ **Ábra10:** 1. Kapocs

A fűgyűjtő kosár felszerelése és eltávolítása

A fűgyűjtő kosár felszereléséhez kövesse az alábbi lépéseket.

1. Nyissa ki a hátsó fedelet.
▶ **Ábra11:** 1. Hátsó fedél
2. Tartsa a fűgyűjtő kosár fogantyúját, majd akassza a fűgyűjtő kosarat a fűnyíró házán lévő rúdra az ábrán látható módon.
▶ **Ábra12:** 1. Fűgyűjtő kosár 2. Fogantyú 3. Rúd

A fűgyűjtő kosár eltávolításához nyissa ki a hátsó fedelet, majd fogantyújánál fogva vegye ki a fűgyűjtő kosarat.

A mulcsozó betét csatlakoztatása

1. Nyissa ki a hátsó fedelet, majd távolítsa el a fűgyűjtő kosarat.
▶ **Ábra13:** 1. Hátsó fedél 2. Fűgyűjtő kosár
2. Csatlakoztassa a mulcsozó betétet oly módon, hogy benyomja olyan mélyen, ameddig csak megy, úgy hogy a mulcsozó betét kiemelkedései illeszkedjenek a gép furataiba.
▶ **Ábra14:** 1. Mulcsozó betét 2. Kiemelkedés

A MŰKÖDÉS LEÍRÁSA

Az akkumulátor behelyezése és eltávolítása

⚠ VIGYÁZAT: Az akkumulátor behelyezése vagy eltávolítása előtt mindig kapcsolja ki a gépet.

⚠ VIGYÁZAT: Az akkumulátor behelyezésekor vagy eltávolításakor erősen fogja meg a gépet és az akkumulátort. Ha nem fogja erősen a gépet és az akkumulátort, azok kicsúszhatnak a kezei közül, ami a gép és az akkumulátor károsodásához, de akár személyi sérüléshez is vezethet.

⚠ VIGYÁZAT: Bizonyosodjon meg arról, hogy használat előtt lezárta az akkumulátor fedelét. Ellenkező esetben a bekerülő sár, por vagy víz károsodást okozhat a termékben vagy az akkumulátorban.

⚠ VIGYÁZAT: Mindig tolja be teljesen az akkumulátort, amíg a piros jel el nem tűnik. Ha nem így jár el, az akkumulátor kieshet a gépből, és Önnek vagy a környezetében tartózkodóknak sérülést okozhat.

⚠ VIGYÁZAT: Ne erősítse az akkumulátort behelyezésre. Ha az akkumulátor nem csúszik be könnyedén, akkor nem megfelelően lett behelyezve.

⚠ VIGYÁZAT: Az akkumulátor behelyezésekor vagy eltávolításakor erősen fogja meg az akkumulátorfedelét.

MEGJEGYZÉS: A gép nem működik egyetlen akkumulátorral.

Az akkumulátor behelyezése:

1. Húzza fel a reteszelőkart, majd nyissa ki az akkumulátorfedelét.
▶ **Ábra15:** 1. Akkumulátorfedél 2. Reteszelőkar
2. Igazítsa össze az akkumulátor nyelvét a gépen lévő nyílással, majd csúsztassa be az akkumulátort, amíg az egy kis kattánással a helyén nem rögzül.
▶ **Ábra16:** 1. Akkumulátor
3. Helyezze be a kulcsot az ábrán látható helyre, amennyire csak lehet.
▶ **Ábra17:** 1. Kulcs
4. Zárja le az akkumulátorfedelét és nyomja meg, amíg ez a zárókarral be nem reteszelődik.

Az akkumulátor eltávolításához:

1. Húzza fel a reteszelőkart, és nyissa ki az akkumulátorfedelét.
2. Az akkumulátor elején lévő gomb csúsztatása közben húzza ki az akkumulátort a gépből.
3. Húzza ki a kulcsot.
4. Zárja be az akkumulátor fedelét.

Gép-/akkumulátorvédő rendszer

A gép gép-/akkumulátorvédő rendszerrel van felszerelve. A rendszer automatikusan kikapcsolja a motor áramellátását, így megnöveli a gép és az akkumulátor élettartamát. A gép használat közben automatikusan leáll, ha a gép vagy az akkumulátor a következő állapotok valamelyikébe kerül:

Túlterhelésvédelem

Ha az akkumulátort úgy használják, hogy az rendszeresen nagy áramot vesz fel, a gép automatikusan leáll, és a főkapcsoló fénye zölden villogni kezd. Ilyenkor kapcsolja ki a gépet, és fejezze be azt a műveletet, amelyik a gép túlterhelését okozta. Az újratejesítéshez kapcsolja be a gépet.

Túlmelegedés elleni védelem

Ha a gép vagy az akkumulátor túlmelegszik, a gép automatikusan leáll, és a főkapcsoló fénye pirosan villogítani kezd. Ilyenkor hagyja lehűlni a gépet és az akkumulátort, mielőtt ismét munkához látna.

Mélykisütés elleni védelem

Ha az akkumulátor kapacitása nem elegendő, a gép automatikusan leáll, és a főkapcsoló fénye pirosan villog. Ebben az esetben távolítsa el a gépből az akkumulátort, és tölts fel vagy cserélje ki egy teljesen feltöltöttre.

Egyéb okok elleni védelem

A védelmi rendszert más olyan okok ellen is tervezték, amelyek károsíthatják a gépet és amelyek lehetővé teszik, hogy a gép automatikusan leálljon. Hajtsa végre az alábbi összes lépést az okok tisztázása érdekében, ha a gép ideiglenesen vagy teljesen leállt.

1. Kapcsolja ki a gépet, majd kapcsolja be ismét az újraindításhoz.
2. Tölts fel az akkumulátor(oka)t vagy cserélje ki azt/azokat újratöltött akkumulátorral.
3. Hagyja, hogy a gép és az akkumulátor(ok) lehűljenek.

Ha nem történik javulás a védelmi rendszer helyreállítása után sem, forduljon a helyi Makita Szervizközpontoz.

MEGJEGYZÉS: Ha a gép olyan okból áll le, ami a fentiekben nem szerepel, lapozza fel a hibaelhárítás szakaszt.

Az akkumulátor töltöttségének jelzése

► **Ábra18:** 1. Akkumulátortöltöttség-jelző

Ha a maradék akkumulátor kapacitás lecsökken, az akkumulátor-jelzőfény villog a megfelelő oldalon. További használatra a gép leáll, és az akkumulátor-jelzőfény kigyullad. Ebben a helyzetben tölts fel az akkumulátort.

Az akkumulátor töltöttségének jelzése

Csak állapotjelzős akkumulátorok esetén

► **Ábra19:** 1. Jelzőlámpák 2. Check (ellenőrzés) gomb

Nyomja meg az ellenőrzőgombot, hogy az akkumulátortöltöttség-jelző megmutassa a hátralévő akkumulátor-kapacitást. Ekkor a töltöttségjelző lámpák néhány másodpercre kigyulladnak.

Jelzőlámpák			Töltöttségi szint
Világító lámpa	KI	Villogó lámpa	
■	■	■	75%-tól 100%-ig
■	■	□	50%-tól 75%-ig
■	□	□	25%-tól 50%-ig
■	□	□	0%-tól 25%-ig
◐	□	□	Tölts fel az akkumulátort.
■	■	□	Lehetséges, hogy az akkumulátor meghibásodott.
□	□	■	

MEGJEGYZÉS: Az adott munkafeltételektől és a környezeti hőmérsékletétől függően a jelzett töltöttségi szint némileg eltérhet a tényleges töltöttségi szinttől.

MEGJEGYZÉS: Az első (bal oldali szélső) jelzőlámpa villog, ha az akkumulátorvédő rendszer működik.

Főkapcsoló

FIGYELMEZTETÉS: Mindig állítsa kikapcsolt állásba a főkapcsolót, ha nem használja a szerszámot.

► **Ábra20:** 1. Főkapcsoló fénye 2. Főkapcsoló

A gép bekapcsolásához nyomja meg a főkapcsolót. A gép kikapcsolásához nyomja meg újra a főkapcsolót.

MEGJEGYZÉS: Ha a főkapcsoló fénye pirosan világít vagy pirosan vagy zölden villog, olvassa el a gép-/akkumulátorvédő rendszer utasításait.

MEGJEGYZÉS: Ez a gép automatikus kikapcsolási funkcióval rendelkezik. Hogy elkerülhesse a gép véletlen beindítását, a főkapcsoló automatikusan leállítja a gépet, ha a kapcsolókart vagy hajtókart (ha fel van szerelve) megadott ideig nem húzza meg a főkapcsoló bekapcsolása után.

A kapcsoló használata

▲ FIGYELMEZTETÉS: Mielőtt az akkumulátort behelyezi, mindig győződjön meg arról, hogy a kapcsolókar megfelelően működik, és felengedés-kor visszaáll az eredeti helyzetébe. A hibás kapcsolóval működő gép fölött a kezelő elveszízheti az uralmat, és a gép súlyos személyi sérülést okozhat.

MEGJEGYZÉS: A fűnyíró nem indul el a bekapcsoló gomb lenyomása nélkül, még akkor sem, ha a kapcsolókart meghúzza.

MEGJEGYZÉS: Ha hosszú vagy sűrű fűvet próbál nyírni a fűnyíróval, előfordulhat, hogy az a túlterhelés miatt nem indul el. Ebben az esetben növelje a fűnyírási magasságot.

A fűnyíró kulccsal és fogantyúkapcsolóval rendelkezik. Amennyiben a kulcs vagy a kapcsoló működésében bármilyen szokatlan tapasztalat, azonnal fejezze be a munkát, és ellenőriztesse a legközelebbi Makita hivatalos szervizközpontban.

Az alábbiakhoz DLM481/DLM539

1. Helyezze a géphez az akkumulátorokat. Helyezze be a kulcsot, majd csukja le az akkumulátor fedelét.
2. Nyomja meg a főkapcsolót.
3. A kapcsológombot lenyomva tartva húzza a kapcsolókart maga felé. Amint a motor elindul, engedje el a kapcsológombot.

► **Ábra21:** 1. Kapcsológomb 2. Kapcsolókar

4. A kapcsolókart tartva nyomja meg a hajtókart előre, és tartsa úgy a hátsó kerekek meghajtásához.

► **Ábra22:** 1. Hajtókar

MEGJEGYZÉS: A hátsó kerekeket úgy hajthatja meg, hogy előrenyomja a hajtókart, és úgy tartja anélkül, hogy meghúzná a kapcsolókart.

5. A gép leállításához engedje ki a hajtókart és a kapcsolókart.

Az alábbiakhoz DLM480/DLM538

1. Helyezze a géphez az akkumulátorokat. Helyezze be a kulcsot, majd csukja le az akkumulátor fedelét.
2. Nyomja meg a főkapcsolót.
3. A kapcsológombot lenyomva tartva húzza a kapcsolókart maga felé. Amint a motor elindul, engedje el a kapcsológombot.

► **Ábra23:** 1. Kapcsológomb 2. Kapcsolókar

4. A motor leállításához engedje el a kapcsolókart.

A fűnyírási magasság beállítása

▲ FIGYELMEZTETÉS: Soha ne tegye a fűnyíró alá a kezét vagy a lábát a fűnyírási magasság beállításakor.

▲ FIGYELMEZTETÉS: Használat előtt mindig ellenőrizze, hogy a kar megfelelően illeszkedik-e a bevágásba.

A fűnyírási magasság a 20–100 mm tartományban állítható.

Vegye ki a kulcsot, majd húzza a fűnyírási magasságot beállító kart a fűnyíró házából elfelé, és vigye a kívánt fűnyírási magasságra.

► **Ábra24:** 1. Fűnyírási magasságot beállító kar

Az alábbi táblázat a fűnyíró házában lévő szám és a körülbelüli fűnyírási magasság közötti összefüggést mutatja.

Szám	Fűnyírási magasság
1	20 mm
2	26 mm
3	32 mm
4	40 mm
5	49 mm
6	59 mm
7	70 mm
8	81 mm
9	92 mm
10	100 mm

Az egyik kezével tartsa az alsó fogantyút, majd a másik kezével mozgassa a fűnyírási magasságot beállító kart.

► **Ábra25:** 1. Fűnyírási magasságot beállító kar
2. Alsó fogantyú

MEGJEGYZÉS: A fűnyírási magasság számai csak útmutatóként szolgálnak. A fű vagy a talaj állapótól függően előfordulhat, hogy a gyeper valódi magassága kis mértékben eltér a beállított magasságtól.

MEGJEGYZÉS: Végezzen próbanyírást egy kevésbé feltűnő helyen, és állítsa be a kívánt magasságot.

Fűgyújtó szintjelzője

A fűgyújtó szintjelzője a lenyírt fű mennyiségét jelzi. Ha a fűgyújtó kosár nincs tele, a jelző lebeg, amíg a kések forognak.

► **Ábra26:** 1. Fűgyújtó szintjelzője

Ha a fűgyújtó kosár majdnem tele van, a jelző nem lebeg, amíg a kések forognak. Ilyen esetben azonnal hagyja abba a műveletet, és ürítse ki a kosarat.

► **Ábra27:** 1. Fűgyújtó szintjelzője

MEGJEGYZÉS: Ez a jelzés csak útmutatásul szolgál. A kosáron belüli körülményektől függően előfordulhat, hogy a visszajelző nem működik megfelelően.

A fogantyú magasságának beállítása

A fogantyú magasságát két fokozatban lehet beállítani.

1. Tartsa az alsó fogantyút, majd forgassa el a gombot 90°-kal, miközben húzza az alsó fogantyú gombját a rögzítőcsap kioldásához. Hajtsa végre ugyanezt az eljárást a másik oldalon.

► **Ábra28:** 1. Alsó fogantyú 2. Gomb

MEGJEGYZÉS: A fogantyú kitémasztása megkönnyíti a rögzítőcsap kioldását a gomb meghúzásakor.

2. Állítsa be a fogantyú magasságát, és forgassa el a gombot 90°-kal mindkét oldalán. Ellenőrizze, hogy a gombok szilárdan rögzítettek-e.

► **Ábra29:** 1. Gomb

A haladási sebesség beállítása

Az alábbiakhoz DLM481/DLM539

► **Ábra30:** 1. Sebességkar

A haladási sebességet a sebességgarral lehet beállítani. A sebesség csökkentéséhez húzza a kart maga felé, a sebesség növeléséhez pedig fordítsa a kart előre.

A mulcsozó betét használata

A mulcsozó betét lehetővé teszi, hogy a vágott fűvet visszajuttassa a talajra anélkül, hogy a levágott fűvet a fűgyűjtő kosárba gyűjtené. Ha a gépet a mulcsozó betéttel használja, ügyeljen arra, hogy eltávolítsa a fűgyűjtő kosarat.

MEGJEGYZÉS: Amikor hosszúra nőtt vagy sűrű fűvet nyír, ha a fűnyírás után egyenetlenséget tapasztal a fűszálak hosszában vagy rosszul levágott fűfelületet talál, vagy a motor fordulatszámának csökkenését érzékeli a fűnyírás során, csökkentse a fűnyírás sebességét alacsonyabbra a jelen kézikönyvben ajánlottnál, vagy emelje meg a fűnyírési magasságot.

► **Ábra31:** (1) Legalább 30 mm (2) Legfeljebb 15 mm

A hátsó kiszóró használata

A hátsó kiszóró használata lehetővé teszi, hogy a levágott fű a gép hátsó részéből a talajra kerüljön anélkül, hogy a levágott fűvet a fűgyűjtő kosárba gyűjtené.

Ha a hátsó kiszórót használva működteti a gépet, gondoskodjon róla, hogy eltávolítsa a fűgyűjtő kosarat és a mulcsozó betétet, és bezárja a hátsó fedelet.

Elektronikus funkció

A gépet a könnyebb használat érdekében elektronikus funkciókkal látták el.

- Lágyműködés hajtáskor
A lágyműködési funkció minimalizálja az indítási löketet, és simává teszi a gép indulását.
- Elektromos fék
A gép elektromos fékkel rendelkezik. Ha a gép ismétlődően nem állítja le gyorsan a fűnyírókéseket a kapcsolókar elengedése után, javíttassa meg a gépet a Makita hivatalos szervizközpontjában.

MŰKÖDTETÉS

Fűnyírás

▲ FIGYELMEZTETÉS: Fűnyírás előtt takarítsa el a botokat és köveket a nyírandó területről. Továbbá, előre távolítsa el minden gyomot a nyírandó területről.

▲ FIGYELMEZTETÉS: Mindig viseljen védőszemüveget vagy biztonsági szemüveget oldalpajzzsal, a fűnyíró használata során.

▲ VIGYÁZAT: Ha a levágott fű vagy egy idegen tárgy elakadt a fűnyíró házában, gondoskodjon róla, hogy kivegye a kulcsot és az akkumulátort, és viseljen kesztyűt, amikor eltávolítja a fűvet vagy idegen tárgyat.

MEGJEGYZÉS: A gépet kizárólag fűnyírásra használja. A géppel ne nyírjon gyomokat.

► **Ábra32**

Fűnyírásakor mindkét kezével szilárdan tartsa a fogantyút. A fűnyírás javasolt sebessége körülbelül 7-14 méter 10 másodpercenként.

► **Ábra33**

MEGJEGYZÉS: Amikor hosszúra nőtt vagy sűrű fűvet nyír, ha a fűnyírás után egyenetlenséget tapasztal a fűszálak hosszában vagy rosszul levágott fűfelületet talál, vagy a motor fordulatszámának csökkenését érzékeli a fűnyírás során, csökkentse a fűnyírás sebességét alacsonyabbra a jelen kézikönyvben ajánlottnál, vagy emelje meg a fűnyírési magasságot.

Az első kerekek középvonala iránykutatásként szolgál a fűnyírás szélességére vonatkozóan. Használja a középvonalakat iránymutatásként, sávokban nyírja a fűvet. A lenyírt fű egyenetlensége érdekében, a korábban már lenyírt sáv felére, egyharmadára átfedve végezze a fűnyírást.

► **Ábra34:** 1. Fűnyírési szélesség 2. Átfedő terület 3. Középvonal

Minden egyes alkalommal változtassa meg a fűnyírás irányát, hogy megakadályozza a fűszálak egyirányú dőléséből eredő mintázat kialakulását.

► **Ábra35**

Időszakosan ellenőrizze a fűgyűjtő kosárban lévő lenyírt fűvet. Ne várja meg az ürítéssel, amíg a kosár megtelik. Minden időszakos ellenőrzés előtt állítsa le a fűnyíró, majd vegye ki a kulcsot és az akkumulátort.

MEGJEGYZÉS: Ha a fűnyíró fűgyűjtő kosara megtelik, az akadályozza a kés sima forgását és túlterheli a motort, ami meghibásodáshoz vezethet.

Hosszúra nőtt fű nyírása

Ne próbálja meg egyszerre lenyírni a hosszúra nőtt fűvet. Ehelyett inkább több lépésben nyírja le a fűvet. A fűnyírások között hagyjon egy-két napot, hogy a fű egyenetlen legyen.

► **Ábra36**

MEGJEGYZÉS: A fű elhalhat, ha a hosszúra nőtt fűvet egyszerre vágja rövidre. A levágott fű eltömítheti a fűnyíró belsejét.

MEGJEGYZÉS: Ha a fűnyírás után egyenetlenséget tapasztal a fűszálak hosszában vagy rosszul levágott fűfelületet talál, vagy a motor fordulatszámának csökkenését érzékeli a fűnyírás során, csökkentse a fűnyírás sebességét vagy emelje meg a fűnyírési magasságot.

A fűgyújtó kosár kiürítése

▲ FIGYELMEZTETÉS: A balesetveszély csökkentéséhez rendszeresen ellenőrizze a fűgyújtó kosarat, nehogy károsodás érje vagy csökkenjen az erőssége. Szükség esetén cserélje ki a fűgyújtó kosarat.

- Engedje el a kapcsolókart és a hajtókart (a DLM481/DLM539 esetén), illetve a kapcsolókart (a DLM480/DLM538 esetén).
- Vegye ki a kulcsot.
- Nyissa ki a hátsó fedelet, és fogantyújánál fogva emelje ki a fűgyújtó kosarat.
▶ **Ábra37:** 1. Hátsó fedél 2. Fogantyú 3. Fűgyújtó kosár
- Űritse ki a fűgyújtó kosarat.

KARBANTARTÁS

▲ FIGYELMEZTETÉS: Mindig győződjön meg arról, hogy a kulcs és az akkumulátor ki van véve a fűnyíróból a fűnyíró tárolása vagy szállítása előtt vagy a vizsgálat és karbantartás végrehajtása előtt.

▲ FIGYELMEZTETÉS: Mindig vegye ki a kulcsot, ha nem használja a fűnyírót. Tartsa a kulcsot biztonságos helyen, gyermekektől távol.

▲ FIGYELMEZTETÉS: Viseljen kesztyűt a vizsgálat és karbantartás során.

▲ FIGYELMEZTETÉS: Mindig viseljen védőszemüveget vagy biztonsági szemüveget oldalpajzzsal, amikor vizsgálatot vagy karbantartást végez.

MEGJEGYZÉS: Soha ne használjon gázolajt, benzint, hígítót, alkoholt vagy hasonló anyagokat. Ezek elszíneződést, alakvesztést vagy repedést okozhatnak.

A termék BIZTONSÁGÁNAK és MEGBÍZHATÓSÁGÁNAK fenntartása érdekében a javításokat és más karbantartásokat vagy beállításokat a Makita hivatalos vagy gyári szervizközpontjában kell elvégezni, mindig csak Makita cserealkatrészeket használva.

Karbantartás

- Vegye ki a kulcsot és az akkumulátorokat, majd csukja le az akkumulátor fedelét.
- Tegye a fűnyírót az oldalára. Tisztítsa le a fűnyíró alján összegyűlt levágott fűvet.
- Öntsön vizet a gép alá, ahol a kés csatlakozik.

MEGJEGYZÉS: Ne mossa a gépet nagynyomású vízzel.

- Ellenőrizze az összes anya, fejescsavar, csavar, stb. meghúzását.
- Vizsgálja a mozgó alkatrészeket, hogy nem sérültek-e, illetve van-e rajtuk törés vagy kopás. A sérült vagy hiányzó alkatrészek meg kell javítani vagy ki kell cserélni.

- Tartsa a fűnyírót biztonságos helyen, gyermekektől távol.

Az alábbiakhoz DLM481/DLM539

MEGJEGYZÉS: Ne öntsön vizet az ábrán látható területre. Ha vizet önt a motoregységre, az a gép meghibásodását okozhatja.

- ▶ **Ábra38:** 1. A terület, ahová nem szabad vizet önten

Az alábbiakhoz DLM481/DLM539

MEGJEGYZÉS: Ne öntsön vizet a gépre, amíg a gép függőleges helyzetben van az ábrán látható módon. Ha a gép függőleges helyzetben van, a víz lefolyhat a motoregységbe és a gép meghibásodását okozhatja.

- ▶ **Ábra39**

A fűnyíró szállítása

▲ VIGYÁZAT: A fűnyíró szállítása előtt győződjön meg róla, hogy az akkumulátort és a kulcsot kivették.

A fűnyíró szállításakor két embernek kell fognia a hátsó fogantyút és a gép alsó tartórészét a gép elején az ábrán látható módon.

- ▶ **Ábra40:** 1. Alsó tartórész 2. Hátsó fogantyú

Tárolás

▲ VIGYÁZAT: Amikor a gépet függőleges helyzetbe helyezi, helyezze azt sík és stabil felületre. Ha a gépet instabil felületre helyezik, a gép leeshet és sérülést okozhat.

Tárolja a fűnyírót beltéri hűvös, száraz és zárt helyen. Ne tárolja a fűnyírót és a töltőt olyan helyen, ahol a hőmérséklet elérheti vagy meghaladhatja a 40 °C hőmérsékletet.

- Távolítsa el az akkumulátort és a kulcsot.
- Forgassa el a gombot 90°-kal, miközben az alsó fogantyú gombját húzza a rögzítőcsap kioldásához. Hajtsa végre ugyanazt az eljárást a másik oldalon, majd hajtsa be a fogantyút.
▶ **Ábra41:** 1. Gomb

MEGJEGYZÉS: A fogantyú kitémasztása megkönnyíti a rögzítőcsap kioldását a gomb meghúzásakor.

- Forgassa el a gombot 90°-kal mindkét oldalon. Ellenőrizze, hogy a gombokat szilárdan rögzítették-e.

Az alábbiakhoz DLM481/DLM539

- ▶ **Ábra42:** 1. Gomb

Az alábbiakhoz DLM480/DLM538

- ▶ **Ábra43:** 1. Gomb

MEGJEGYZÉS: Vigyázzon, ne csipje be a vezetőteket a fogantyú behajtásakor.

- Lazítsa meg a marokanyákat mindkét oldalon, majd hajtsa be a felső fogantyút az ábra szerint.
▶ **Ábra44:** 1. Marokanya 2. Felső fogantyú

5. Helyezze a gépet függőlegesen helyzetbe.

MEGJEGYZÉS: A fűnyíró függőlegesen helyzetbe állításakor ne csak a fogantyút tartsa, hanem a fűnyíró testét és a fogantyút.

6. A fűgyűjtő kosarat az ábrán látható módon tárolja.

▶ **Ábra45:** 1. Fűgyűjtő kosár

▶ **Ábra46:** 1. Fűgyűjtő kosár

A fűnyíró késének eltávolítása és felszerelése

FIGYELMEZTETÉS: A kés a kapcsoló elengedése után még szabadon forog. Ne végezzen semmilyen műveletet, amíg a kés teljesen meg nem állt.

FIGYELMEZTETÉS: Mindig vegye ki a kulcsot és az akkumulátort a kés kivételkor vagy beszereléskor. Ha nem veszi ki a kulcsot és az akkumulátort, az súlyos személyi sérülésekhez vezethet.

FIGYELMEZTETÉS: A kés kezelésekor mindig viseljen kesztyűt.

A fűnyírókés eltávolítása

1. Fektesse a fűnyírót az oldalára úgy, hogy a fűnyírási magasságot beállító kar az alsó részén legyen.

2. A kés rögzítéséhez helyezze a csapot a fűnyíró házán lévő furatba olyan mélyen, ameddig belemegy.

3. Forgassa el a csavart az óramutató járással ellentétes irányban egy 17-es csillagkulccsal.

▶ **Ábra47:** 1. Fűnyírókés 2. Csap 3. Csillagkulcs

4. Távolítsa el a fejescsavart, majd a fűnyírókést.

▶ **Ábra48:** 1. Késtartó 2. Fűnyírókés 3. Fejescsavar
4. Kiemelkedés

MEGJEGYZÉS: A fűnyírókés felszereléskor győződjön meg róla, hogy a késtartón lévő kiemelkedések illeszkednek a fűnyírókésen lévő furatokba.

A fűnyírókés felszerelése

FIGYELMEZTETÉS: Óvatosan szerelje be a fűnyírókést. Felső és alsó oldala is van.

FIGYELMEZTETÉS: A kés rögzítéséhez húzza meg a csavart az óramutató járásának irányába.

FIGYELMEZTETÉS: Gondoskodjon róla, hogy a fűnyírókés és az összes rögzítő alkatrész megfelelően legyen beszerelve és meghúzva.

FIGYELMEZTETÉS: A kések cseréjekor mindig kövesse a kézikönyvben leírt utasításokat.

MEGJEGYZÉS: A fűnyírókések felszerelése után vegye ki a csapot a fűnyíró házából.

A fűnyírókések felszereléséhez hajtsa végre a leszerelési eljárást fordított sorrendben.

HIBAELHÁRÍTÁS

Mielőtt a szervizhez fordulna, először végezzen saját maga is átvizsgálást. Ha olyan problémát talál, amire a kézikönyv nem tartalmaz magyarázatot, ne próbálja meg szétszerelni a gépet. Ehelyett kérjen tanácsot a Makita hivatalos szervizközpontjától, és javításhoz mindig Makita cserealkatrészeket használjon.

Rendellenesség	Lehetséges ok (meghibásodás)	Megoldás
A fűnyíró nem indul be.	Két akkumulátor nincs behelyezve.	Helyezze be a feltöltött akkumulátorokat.
	Akkumulátorprobléma (alacsony feszültség)	Töltse fel az akkumulátort. Ha az újratöltés nem elég hatékony, cserélje ki az akkumulátort.
	A kulcs nincs behelyezve.	Helyezze be a kulcsot.
A motor rövid használat után leáll.	Az akkumulátor töltési szintje alacsony.	Töltse fel az akkumulátort. Ha az újratöltés nem elég hatékony, cserélje ki az akkumulátort.
	A vágási magasság túl alacsonyra van állítva.	Növelje a vágási magasságot.
	A levágott fű eltömte a fűnyírót.	Vegye ki a beletömődött fűvet a fűnyíróból.
A gép nem éri el a maximális fordulatszámot.	Az akkumulátort helytelenül szerelték be.	Az akkumulátort az útmutató szerint szerelje be.
	Az akkumulátor feszültsége nagy mértékben csökken.	Töltse fel az akkumulátort. Ha az újratöltés nem elég hatékony, cserélje ki az akkumulátort.
	A meghajtórendszer nem működik megfelelően.	Javításért forduljon a kijelölt helyi szervizhez.
A fűnyírókés nem forog: ⇒ azonnal állítsa le a fűnyírót!	Idegen tárgy, például egy ág akadt el a kés mellett.	Távolítsa el az idegen tárgyat.
	A meghajtórendszer nem működik megfelelően.	Javításért forduljon a kijelölt helyi szervizhez.
A gép rendellenesen rezeg: ⇒ azonnal állítsa le a fűnyírót!	A kés nincs kiegyensúlyozva, túlságosan vagy egyenetlenül kopott.	Cserélje ki a vágókést.

OPCIONÁLIS KIEGÉSZÍTŐK

⚠ VIGYÁZAT: Ezen kiegészítőket és tartozékokat javasoljuk a kézikönyvben ismertetett Makita géphez. Bármilyen más kiegészítő vagy tartozék használata a személyi sérülés kockázatával jár. A kiegészítőt vagy tartozékot csak rendeltetésszerűen használja.

Ha bármilyen segítségre vagy további információra van szüksége ezekkel a tartozékokkal kapcsolatban, keresse fel a helyi Makita Szervizközpontot.

- Fűnyírókés
- Eredeti Makita akkumulátor és töltő

MEGJEGYZÉS: A listában felsorolt alkatrészek egy része a termékhez mellékelt standard tartozék lehet. Ezek országonként eltérőek lehetnek.

TECHNICKÉ ŠPECIFIKÁCIE

Model:	DLM480	DLM481	DLM538	DLM539
Šírka kosenia (priemer čepele)	480 mm		534 mm	
Otáčky naprázdno	3 100 min ⁻¹		3 000 min ⁻¹	
Číslo dielu náhradnej čepele kosačky	Rovná čepeľ kosačky	191V97-3		191V96-5 / 191W87-2
	Mulčovacia čepeľ	191Y64-6		191Y65-4
Rozmery (D x Š x V)	počas prevádzky	D: 1 690 mm až 1 740 mm Š: 530 mm V: 930 mm až 1 060 mm	D: 1 810 mm až 1 870 mm Š: 580 mm V: 920 mm až 1 040 mm	
	pri uskladnení (bez lapača trávy)	580 mm x 530 mm x 870 mm		610 mm x 580 mm x 925 mm
Rýchlosť pojazdu	–	2,5 – 5,0 km/h	–	2,5 – 5,0 km/h
Menovité napätie	Jednosmerný prúd 36 V			
Čistá hmotnosť	24,5 – 26,8 kg	27,0 – 29,3 kg	25,5 – 28,0 kg	27,9 – 30,4 kg
Trieda ochrany	IPX4			

- Vzhľadom k neustálemu výskumu a vývoju podliehajú technické údaje uvedené v tomto dokumente zmenám bez upozornenia.
- Technické údaje sa môžu pre rôzne krajiny líšiť.
- Hmotnosť sa môže líšiť v závislosti od nadstavcov vrátane akumulátora. Najľahšia a najťažšia kombinácia v súlade s postupom EPTA 01/2014 je uvedená v tabuľke.

Použiteľné akumulátory a nabíjačky

Akumulátor	BL1815N / BL1820B / BL1830B / BL1840B / BL1850B / BL1860B
Nabíjačka	DC18RC / DC18RD / DC18RE / DC18SD / DC18SE / DC18SF / DC18SH / DC18WC

- Niektoré vyššie uvedené akumulátory a nabíjačky môžu byť nedostupné v závislosti od miesta vášho bydliska.

VAROVANIE: Používajte iba akumulátory a nabíjačky zo zoznamu uvedeného vyššie. Používanie akýchkoľvek iných akumulátorov a nabíjačiek môže spôsobiť zranenie a/alebo požiar.

VAROVANIE: S týmto strojom nepoužívajte káblový napájací zdroj ako adaptér akumulátora alebo prenosný napájací zdroj. Kábel takéhoto napájacieho zdroja môže brániť prevádzke a spôsobiť zranenie osôb.

Symbols

Nižšie sú uvedené symboly, ktoré sa môžu používať pri tomto nástroji. Je dôležité, aby ste poznali ich význam, skôr než začnete pracovať.



Práci venujte veľkú pozornosť a dávajte pozor.



Prečítajte si návod na obsluhu.



Nebezpečenstvo; dávajte pozor na odhodnené predmety.



Vzdialenosť medzi náradím a okolostojacími osobami musí byť aspoň 15 m.



Nikdy nemajte ruky ani nohy v blízkosti čepele kosačky pod kosačkou. Čepele kosačky sa otáčajú aj po vypnutí motora.



Poistku vyberte pred vykonávaním kontroly, čistením, servisom a pred odložením a uskladnením kosačky.



Varovanie: pred údržbou odpojte akumulátor.



Elektrické nebezpečenstvo. Kontakt s vodou môže spôsobiť zásah elektrickým prúdom.



Nelejte vodu na stroj.



Len pre štáty EÚ
Z dôvodu prítomnosti nebezpečných komponentov v zariadení môžu odpad z elektrických a elektronických zariadení, použité akumulátory a batérie negatívny vplyv na životné prostredie a ľudské zdravie. Elektrické a elektronické zariadenia alebo akumulátory nelikvidujte spolu s komunálnym odpadom!
V súlade s európskou smernicou o odpade z elektrických a elektronických zariadení, o akumulátoroch a batériách a odpade z akumulátorov a batérií, ako aj v súlade s prispôbenými vnútroštátnymi právnymi predpismi by sa odpad z elektrických a elektronických zariadení a použité akumulátory a batérie mali uskladňovať osobitne a odovzdávať na samostatnom zbernom mieste pre komunálny odpad, ktoré sa prevádzkuje v súlade s predpismi na ochranu životného prostredia. Označuje to symbol preškrtnutej smetnej nádoby na zariadení.



Zaručená hladina akustického výkonu podľa smernice EÚ o vonkajšom hluku.



Hladina akustického výkonu podľa nariadenia austrálskeho NSW o znižovaní hluku

Určené použitie

Zariadenie je určené na kosenie trávy.

Hluk

Typická hladina akustického tlaku záťaže A určená podľa štandardu EN60335-2-77:

Model DLM480

Úroveň akustického tlaku (L_{pA}): 84 dB (A)
Úroveň akustického tlaku (L_{WA}): 92 dB (A)
Odchýlka (K): 3 dB (A)

Model DLM481

Úroveň akustického tlaku (L_{pA}): 84 dB (A)
Úroveň akustického tlaku (L_{WA}): 92 dB (A)
Odchýlka (K): 3 dB (A)

Model DLM538

Úroveň akustického tlaku (L_{pA}): 85 dB (A)
Úroveň akustického tlaku (L_{WA}): 96 dB (A)
Odchýlka (K): 3 dB (A)

Model DLM539

Úroveň akustického tlaku (L_{pA}): 85 dB (A)
Úroveň akustického tlaku (L_{WA}): 96 dB (A)
Odchýlka (K): 3 dB (A)

POZNÁMKA: Deklarovaná hodnota emisií hluku bola meraná podľa štandardnej skúšobnej metódy a môže sa použiť na porovnanie jedného nástroja s druhým.

POZNÁMKA: Deklarovaná hodnota emisií hluku sa môže použiť aj na predbežné posúdenie vystavenia ich účinkom.

VAROVANIE: Používajte ochranu sluchu.

VAROVANIE: Emisie hluku sa môžu počas skutočného používania elektrického nástroja odlišovať od deklarovanej hodnoty, a to v závislosti od spôsobov používania náradia a najmä typu spracúvaného obrobku.

VAROVANIE: Nezabudnite označiť bezpečnostné opatrenia s cieľom chrániť obsluhu, a to tie, ktoré sa zakladajú na odhade vystavenia účinkom v rámci reálnych podmienok používania (berúc do úvahy všetky súčasti prevádzkového cyklu, ako sú doby, kedy je nástroj vypnutý a kedy beží bez zaťaženia, ako dodatok k dobe zapnutia).

Vibrácie

Celková hodnota vibrácií (trojosový vektorový súčet) určená podľa štandardu EN60335-2-77:

Model DLM480

Emisie vibrácií (a_h): 2,5 m/s² alebo menej
Odchýlka (K): 1,5 m/s²

Model DLM481

Emisie vibrácií (a_h): 2,5 m/s² alebo menej
Odchýlka (K): 1,5 m/s²

Model DLM538

Emisie vibrácií (a_h): 2,5 m/s² alebo menej
Odchýlka (K): 1,5 m/s²

Model DLM539

Emisie vibrácií (a_h): 2,5 m/s² alebo menej
Odchýlka (K): 1,5 m/s²

POZNÁMKA: Deklarovaná celková hodnota vibrácií bola meraná podľa štandardnej skúšobnej metódy a môže sa použiť na porovnanie jedného nástroja s druhým.

POZNÁMKA: Deklarovaná celková hodnota vibrácií sa môže použiť aj na predbežné posúdenie vystavenia ich účinkom.

VAROVANIE: Emisie vibrácií sa môžu počas skutočného používania elektrického nástroja odlišovať od deklarovanej hodnoty, a to v závislosti od spôsobov používania náradia a najmä typu spracúvaného obrobku.

VAROVANIE: Nezabudnite označiť bezpečnostné opatrenia s cieľom chrániť obsluhu, a to tie, ktoré sa zakladajú na odhade vystavenia účinkom v rámci reálnych podmienok používania (berúc do úvahy všetky súčasti prevádzkového cyklu, ako sú doby, kedy je nástroj vypnutý a kedy beží bez zaťaženia, ako dodatok k dobe zapnutia).

Vyhlásenie o zhode ES

Len pre krajiny Európy

Vyhlásenie o zhode ES sa nachádza v prílohe A tohto návodu na obsluhu.

BEZPEČNOSTNÉ VAROVANIA

Všeobecné bezpečnostné predpisy pre elektrické nástroje

VAROVANIE: Preštudujte si všetky bezpečnostné varovania, pokyny, vyobrazenia a technické špecifikácie určené pre tento elektrický nástroj. Pri nedodržaní všetkých nižšie uvedených pokynov môže dôjsť k úrazu elektrickým prúdom, požiaru alebo vážnemu zraneniu.

Všetky výstrahy a pokyny si odložte pre prípad potreby v budúcnosti.

Pojem „elektrický nástroj“ sa vo výstrahách vzťahuje na elektricky napájané elektrické nástroje (s káblom) alebo batériou napájané elektrické nástroje (bez kábla).

Bezpečnostné varovania pre akumulátorovú kosačku

1. **Nepoužívajte kosačku počas zlých poveternostných podmienok, hlavne ak existuje riziko bleskov.** Znížite tým riziko zásahu bleskom.
2. **Dôkladne skontrolujte oblasť, kde sa má kosačka používať, či sa tu nenachádzajú divo žijúce živočíchy.** Počas prevádzky kosačky sa môžu divo žijúce živočíchy zraníť.
3. **Dôkladne skontrolujte oblasť, kde sa má kosačka používať, a odstráňte všetky kamene, konáre, dróty, kosti a iné cudzie predmety.** Vymrštené predmety môžu spôsobiť poranenie osôb.
4. **Pred použitím kosačky vždy vizuálne skontrolujte, či čepeľ a sústava čepeľí nie sú opotrebované alebo poškodené.** Oopotrebované alebo poškodené diely zvyšujú riziko poranenia.
5. **Pravidelne kontrolujte, či nedošlo k opotrebovaniu alebo poškodeniu zachytávača trávy.** Oopotrebovaný alebo poškodený zachytávač trávy zvyšuje riziko poranenia.
6. **Kryty nechajte nasadené sa svojom mieste. Kryty musia byť funkčné a riadne upevnené.** Kryt, ktorý je uvoľnený, poškodený alebo nefunguje správne, môže predstavovať riziko poranenia.
7. **Všetky prívody chladiaceho vzduchu udržiajte bez nečistôt.** Upchaté vetracie otvory a nečistoty môžu spôsobiť prehriatie alebo predstavovať riziko požiaru.
8. **Počas používania kosačky vždy noste protišmykovú a ochrannú obuv. Kosačku neobsluhujte, pokiaľ ste bosí alebo máte obuté sandále.** Takto znížite riziko poranenia chodidiel pri kontakte s pohybujúcou sa čepeľou.
9. **Počas používania kosačky vždy používajte dlhé nohavice.** Pri odhalenej pokožke existuje vyššia pravdepodobnosť poranenia vymrštenými predmetmi.

10. **Kosačku nepoužívajte na mokrej trávě. Kráčajte, nikdy nebežte.** Znížite tým riziko pošmyknutia a pádu, v dôsledku čoho môže dôjsť k poraneniu.
11. **Kosačku nepoužívajte na príliš strmých svahoch.** Znížite tým riziko straty kontroly, pošmyknutia a pádu, pri ktorých môže dôjsť k poraneniu.
12. **Pri práci na svahoch vždy stojte pevne, vždy pracujte naprieč svahom, nikdy nie smerom nadol ani nahor, a pri zmene smeru dávajte maximálny pozor.** Znížite tým riziko straty kontroly, pošmyknutia a pádu, pri ktorých môže dôjsť k poraneniu.
13. **Pri pohybe dozadu alebo pri ťahaní kosačky smerom k vám dávajte maximálny pozor. Vždy pozorne sledujte okolie.** Znížite tým riziko potknutia počas prevádzky.
14. **Nedotýkajte sa čepeľí ani iných nebezpečných pohyblivých dielov, kým sú v pohybe.** Znížite tým riziko poranenia pohyblivými časťami.
15. **Pri čistení zaseknutého materiálu alebo čistení kosačky sa uistite, že všetky hlavné vypínače sú vypnuté a akumulátorová batéria je odpojená.** Neočakávané spustenie kosačky môže mať za následok vážne poranenie osôb.

TIETO POKYNY USCHOVAJTE.

VAROVANIE: NIKDY nepripustíte, aby seba-vedomie a dobrá znalosť výrobku (získané opakovaným používaním) nahradili presné dodržiavanie bezpečnostných pravidiel pre náradie.

NESPRÁVNE POUŽÍVANIE alebo nedodržiavanie bezpečnostných zásad uvedených v tomto návode môže viesť k vážnemu zraneniu.

DÔLEŽITÉ BEZPEČNOSTNÉ POKYNY

VAROVANIE: Prečítajte si všetky bezpečnostné výstrahy a pokyny. Nedodržiavanie výstrah a pokynov môže mať za následok zasiahnutie elektrickým prúdom, požiar alebo vážne zranenie.

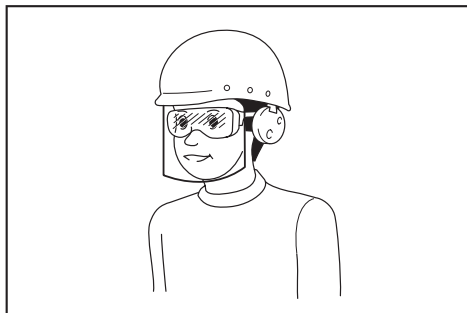
Všetky výstrahy a pokyny si odložte pre prípad potreby v budúcnosti.

Školenie

1. **Dôkladne si prečítajte pokyny.** Oboznámte sa s ovládacími a správnym používaním kosačky.
2. **Kosačku nikdy nedovoľte používať deťom ani ľuďom, ktorí neboli oboznámení s týmito pokynmi na jej používanie.** Miestne nariadenia môžu obmedzovať vek obsluhy.
3. **Nikdy nepracujte s kosačkou, ak stoja v blízkosti ine osoby, najmä deti, prípadne zvieratá.**
4. **Uvedomte si, že obsluha alebo používateľ sú zodpovední za úrazy alebo ohrozenie ostatných ľudí a za škody na ich majetku.**
5. **Treba dohliadnuť na to, aby sa s kosačkou nehrali deti.**
6. **Fyzický stav – Kosačku nepoužívajte, pokiaľ ste pod vplyvom drog, alkoholu alebo akýchkoľvek liekov.**

Príprava

1. Počas používania kosačky vždy používajte pevnú obuv a dlhé nohavice. Kosačku neobsluhujte, pokiaľ ste bosí alebo máte sandále. Nenoste odev ani šperky, ktoré sú voľné alebo majú visiace šnúrky či upínacie prvky. Môžu ich zachytiť pohyblivé súčasti zariadenia.
2. Pred používaním vizuálne skontrolujte, či kosačka nie je poškodená, či nechýbajú alebo nie sú nesprávne umiestnené ochranné zariadenia a kryty.
3. Pred kosením zabezpečte, aby sa v pracovnej oblasti nenachádzali žiadne osoby. Ak ktokoľvek vstúpi do pracovnej oblasti, zastavte kosačku.
4. Blokovací kľúč do kosačky nezasúvajte, kým nebude pripravená na používanie.
5. Pri používaní elektrického náradia vždy používajte ochranné okuliare, aby ste zabránili zraneniu očí. Ochranné okuliare musia spĺňať požiadavky noriem ANSI Z87.1 v USA, EN 166 v Európe alebo AS/NZS 1336 v Austrálii a na Novom Zélande. V Austrálii a na Novom Zélande zákon vyžaduje aj nosenie ochranného štítu na tvár.



Zamestnávateľ je zodpovedný nariadiť osobám, ktoré používajú tento nástroj a ktoré sa nachádzajú v bezprostrednej blízkosti, používať príslušné bezpečnostné ochranné prostriedky.

6. Pred prácou dôkladne skontrolujte, či sa na čepeliach alebo skrutkách čepeli nena-chádzajú praskliny alebo iné poškodenie. Prasknuté alebo poškodené čepele alebo skrutky čepeli okamžite vymeňte.
7. Pred kosením odstráňte z pracovnej oblasti cudzie predmety, ako sú kamene, drôty, fľaše, kosti a veľké úlomky, aby ste predišli zraneniu osôb a poškodeniu kosačky.
8. Predmety zachytené čepeľou kosačky môžu osobám spôsobiť vážne poranenia. Pred každým kosením by ste mali trávnik vždy dôkladne skontrolovať a odstrániť z neho všetky predmety.
9. Dávajte pozor na diery, brázdy, hrbole, kamene alebo iné skryté predmety. Nerovný terén by mohol spôsobiť pošmyknutie a pád. Vo vysokej tráve sa môžu skrývať prekážky.
10. Používajte osobné ochranné prostriedky. Vždy používajte ochranu očí. Adekvátne ochranné prostriedky, ako maska proti prachu, protišmyková bezpečnostná obuv, tvrdá prilba alebo chrániče sluchu, ktoré sa používajú v adekvátnom prostredí, výrazne znižia riziko úrazu.

Prevádzka

1. Pri práci sa nenatáhujte do diaľky. Vždy udržujte rovnováhu. Na svahoch vždy zaujmite stabilný postoj. Kráčajte, nikdy nebežte.
2. Kosačku vypnite, vyberte blokovací kľúč a počkajte, kým sa všetky pohyblivé časti úplne nezastavia:
 - vždy, keď opúšťate kosačku,
 - pred odstránením upchatia alebo čistením zaneseného žľabu,
 - pred kontrolou, čistením alebo prácou na kosačke,
 - po náraze na cudzí predmet. Pred opätovným naštartovaním a prevádzkou kosačky skontrolujte, či nedošlo k poškodeniu kosačky a vykonajte prípadné opravy,
 - vždy, keď kosačka začne neštandardne vibrovať.
3. Kosačku nikdy neprevádzkujte, ak má poškodené chrániče alebo štíty, alebo bez bezpečnostných zariadení, napríklad vychýľovačov a/alebo lapača trávy, namontovaných na svojom mieste.
4. Kosačku nepoužívajte počas zlých poveternostných podmienok, najmä ak hrozí riziko bleskov.
5. Pri práci s kosačkou používajte ochranu zraku a pevnú obuv.
6. S kosačkou pracujte len pri dennom svetle alebo pri dobrom umelom osvetlení.
7. Podľa pokynov kosačky opatrne zapnite; nohy majte v dostatočnej vzdialenosti od čepele(i).
8. Dávajte pozor na poranenie nôh a rúk spôsobené čepeľami kosačky.
9. Vždy zabezpečte, aby boli vetracie otvory čisté a bez nečistôt.
10. Koste priečne po svahu; nikdy nekoste smerom nadol a nahor. Pri zmene smeru na svahoch dávajte maximálny pozor. Nekoste nadmerne strmé svahy.
11. Pri pohybe dozadu alebo pri ťahaní kosačky smerom k vám dávajte maximálny pozor.
12. Zastavte čepele pred sklopením kosačky z dôvodu presunu cez iné ako trávnaté miesta a pred prenášaním kosačky na miesto kosenia a z neho.
13. Pri zapínaní motora kosačku nenakláňajte, okrem prípadov, keď sa naklonenie vyžaduje pri naštartovaní. V takomto prípade kosačku nenakláňajte viac, než je potrebné, a zdvihnite iba časť, ktorá smeruje od obsluhy. Pred vrátením kosačky na zem vždy dajte obe ruky do polohy obsluhy.
14. Nestrkajte ruky ani nohy do blízkosti rotujúcich častí ani pod ne. Počas celej doby zabezpečte, aby sa vyprázdňovací otvor nezanášal.
15. Kosačku neprenášajte, ak je zapnutá.
16. Vyhňte sa používaniu kosačky v mokrej tráve.
17. Kosačku držte vždy pevne za rukoväť.
18. Pri dvíhaní alebo držaní kosačky sa nedotýkajte odhalených rezných čepeli ani rezných hrán.
19. Zabraňte styku rúk a nôh s rotačnými čepeľami. Pozor – Po vypnutí a deštrukcii sa čepele ešte otáčajú.

20. Ak spozorujete niečo nezvyčajné, okamžite prerušte prácu. Vypnite kosačku a vyberte blokovací kľúč. Následne kosačku skontrolujte.
21. Ak má kosačka funkciu nastavenia výšky kosenia, nikdy sa nepokúšajte nastavovať výšku kosenia, keď je kosačka spustená.
22. Pred prechádzaním cez cestičky, chodníky, cesty a akékoľvek plochy so štrkovým krytom uvoľnite spínaciu páčku a počkajte, kým sa čepele nezastavia. Blokovací kľúč vyberte aj v prípade, ak sa od kosačky vzdialite, ak chcete zdvihnúť alebo odstrániť niečo na svojej trase pohybu, alebo z akéhokoľvek iného dôvodu, ktorý by mohol narušiť vykonávanie vašej činnosti.
23. Ak kosačka narazí na cudzí predmet, postupujte podľa nasledujúcich krokov:
 - Zastavte kosačku, uvoľnite spínaciu páčku a počkajte, kým sa čepele úplne nezastavia.
 - Vyberte blokovací kľúč a akumulátor.
 - Dôkladne skontrolujte kosačku, či nedošlo k jej poškodeniu.
 - Ak je čepeľ akokoľvek poškodená, vymeňte ju. Pred opätovným naštartovaním alebo pred pokračovaním v prevádzkovaní kosačky odstráňte každé poškodenie.
24. Kosačku neštartujte, pokiaľ stojíte pred vypaždňovacím otvorom.
25. Ak kosačka začne nadmerne vibrovať (okamžite skontrolujte)
 - zistíte poškodenie,
 - vymeňte alebo opravte všetky poškodené diely,
 - skontrolujte a utiahnite všetky uvoľnené diely.
26. Nikdy nemieďte vyhadzovanú trávu na iné osoby. Zabráňte vyhadzovaniu trávy na stenu alebo prekážku. Tráva sa môže odraziť späť smerom k obsluhu. Pri prechádzaní cez plochy so štrkom zastavte čepeľ.
27. Kosačku neťahajte dozadu, pokiaľ to nie je úplne nevyhnutné. Ak je nutné, aby ste s kosačkou cúvli od plota alebo inej podobnej prekážky, pred cúvaním aj počas cúvania sa pozerajte dole a dozadu.
28. Pred vybratím zachytávača trávy vypnite motor a počkajte, kým sa čepeľ úplne nezastaví. Nezabudnite, že čepeľ sa po vypnutí zastavuje postupne.
29. Keď používate zariadenie na blatistom podklade, mokrom svahu alebo kizkom povrchu, dbajte na správny postoj.
30. Neponárajte zariadenie do mláky.
31. Pri práci s kosačkou dávajte pozor na potrubia a káble.

Údržba a uskladnenie

1. Opatrebené alebo poškodené časti z bezpečnostných dôvodov vymeňte. Používajte len originálne náhradné diely a príslušenstvo.
 2. Kosačku pravidelne kontrolujte a vykonávajte jej údržbu.
 3. Keď sa kosačka nepoužíva, uskladnite ju mimo dosahu detí.
 4. Všetky matice, svorníky a skrutky musia byť utiahnuté, aby ste mali istotu, že zariadenie je v bezpečnom pracovnom stave.
 5. Pravidelne kontrolujte, či nedošlo k opotrebovaniu alebo poškodeniu lapača trávy. Pred uskladnením vypaždnite lapač trávy. Opatrebovaný lapač trávy z bezpečnostných dôvodov vymeňte za náhradný lapač od výrobcu.
 6. Používajte len originálne čepele špecifikované v tomto návode.
 7. Počas nastavovania kosačky dávajte pozor, aby sa vám prsty nezachytili medzi pohybujúce sa čepele a pevné diely kosačky.
 8. V pravidelných intervaloch kontrolujte správnosť utiahnutia upevňovacej skrutky čepele.
 9. Pred uskladnením nechajte kosačku vychladnúť.
 10. Pri vykonávaní údržby čepeli dávajte pozor, pretože aj pri vypnutí napájacieho zdroja sa čepele môžu naďalej otáčať.
 11. Nikdy neodstraňujte ani neupravujte bezpečnostné zariadenia. Pravidelne kontrolujte ich správnu funkciu. Nikdy nerobte nič, čo by narušilo určenú funkciu bezpečnostného zariadenia alebo znížilo ochranu, ktorú bezpečnostné zariadenie poskytuje.
 12. Nenechávajte zariadenie bez dozoru vonku v daždi.
 13. Pri uskladnení zariadenia sa vyhýbajte priamemu slnku a dažďu a skladujte ho na mieste, kde nie je príliš teplo ani vlhko.
- Používanie a starostlivosť o akumulátorový nástroj**
1. Nabíjajte iba nabíjačkou určenou výrobcom. Nabíjačka vhodná pre jeden typ akumulátora môže pri inom type akumulátora spôsobiť riziko vzniku požiaru.
 2. Elektrické nástroje používajte iba s príslušným typom akumulátora. Použitie iného typu akumulátora môže spôsobiť riziko vzniku požiaru a úrazu.
 3. Keď sa akumulátor práve nepoužíva, skladujte ho mimo iných kovových predmetov ako sponky, mince, kľúče, kince, skrutky alebo iné malé kovové predmety, ktoré by mohli kontakty akumulátora skratovať. Skratovanie kontaktov akumulátora môže spôsobiť popálenie alebo požiar.
 4. Pri nevhodných podmienkach môže z akumulátora vytekať tekutina. Nedotýkajte sa jej. Pri náhodnom kontakte ju opláchnite vodou. Ak kvapalina zasiahne oči, vyhľadajte lekársku pomoc. Kvapalina, ktorá vytekla z akumulátora, môže spôsobiť podráždenie alebo popálenie.
 5. Nepoužívajte akumulátor alebo nástroj, ktorý je poškodený alebo upravený. Fungovanie poškodených alebo upravených akumulátorov ťažko predvídať a môžu zapríčiniť požiar, výbuch alebo zranenie.
 6. Akumulátor ani nástroj nevystavujte ohňu či nadmernej teplote. Vystavenie ohňu alebo teploty nad 130 °C môže spôsobiť výbuch.
 7. Dodržiavajte všetky pokyny pre nabíjanie a akumulátor ani nástroj nenabíjajte v prípade prekročenia teplotného rozsahu uvedeného v návode. Nesprávne nabíjanie alebo nabíjanie pri teplotách mimo uvedeného rozsahu môže spôsobiť poškodenie akumulátora a zvýšiť riziko požiaru.

Bezpečnosť pri práci s elektrickým náradím a akumulátorom

1. **Akumulátor(y) nelikvidujte odhodením do ohňa.** Článok môže vybuchnúť. Informácie o možných zvláštnych predpisoch týkajúcich sa likvidácie nájdete v miestnych zákonoch.
2. **Akumulátor(y) neotvárajte ani neznehodnocujte.** Uvoľnený elektrolyt je lepkavý a môže spôsobiť poškodenie zraku alebo pokožky. V prípade požitia môže byť jedovatý.
3. **Batériu nenabíjajte na daždi ani na mokrých miestach.**
4. **Akumulátor nenabíjajte v exteriéri.**
5. **Nedotýkajte sa nabíjačky vrátane zástrčky a nabíjajúcich svoriek mokrými rukami.**
6. **Akumulátor nevymieňajte v daždi.**
7. **Nezvlhčujte konektor akumulátora kvapalinou, napríklad vodou, ani neponárajte akumulátor do kvapalín. Akumulátor nenechávajte na daždi, ani ho nenabíjajte, nepoužívajte ani neskladujte na vlhkom alebo mokrom mieste.** Ak sa konektor navlhčí alebo ak do akumulátora vnikne kvapalina, môže dôjsť k skratu akumulátora a hrozí riziko prehriatia, požiaru alebo výbuchu.
8. **Po vytiahnutí akumulátora zo zariadenia alebo nabíjačky nezabudnite na akumulátor pripevniť kryt a uskladnite ho na suchom mieste.**
9. **Akumulátor nevymieňajte mokrými rukami.**
10. **Vyhňte sa nebezpečným prostrediam. Zariadenie nepoužívajte vo vlhkých alebo mokrých prostrediach, ani ho nevystavujte účinkom dažďa.** Ak do zariadenia vnikne voda, zvýši sa tým riziko zasiahnutia elektrickým prúdom.
11. **Ak do akumulátora vnikne voda, vylejte ju a utrite ho suchou handrou. Pred opätovným používaním nechajte akumulátor úplne vyschnúť na suchom mieste.**

Servis

1. **Servis elektrického nástroja nechajte vykonať kvalifikovaným pracovníkom s použitím výhradne identických náhradných dielov.** Tým zaistíte zachovanie bezpečnosti elektrického nástroja.
2. **Nikdy nevykonávajte servis poškodených akumulátorov.** Servis akumulátorov má vykonávať len výrobca alebo autorizovaní poskytovatelia servisných služieb.

TIETO POKYNY USCHOVAJTE.

⚠VAROVANIE: NIKDY neprípustíte, aby seba-vedomie a dobrá znalosť výrobku (získané opakovaným používaním) nahradili presné dodržiavanie bezpečnostných pravidiel pre náradie.

NESPRÁVNE POUŽÍVANIE alebo nedodržiavanie bezpečnostných zásad uvedených v tomto návode môže viesť k vážnemu zraneniu.

Dôležité bezpečnostné a prevádzkové pokyny pre akumulátor

1. **Pred použitím akumulátora si prečítajte všetky pokyny a výstražné označenia na (1) nabíjačke akumulátorov, (2) akumulátore a (3) produkte používajúcom akumulátor.**
2. **Akumulátor nerozoberajte ani neupravujte.** Môže to viesť k požiaru, nadmernému teplu alebo výbuchu.
3. **Ak sa doba prevádzky príliš skráti, ihneď prerušte prácu. Môže nastať riziko prehriatia, možných popálením či dokonca explózie.**
4. **V prípade zasiahnutia očí elektrolytom ich vypláchnite čistou vodou a okamžite vyhľadajte lekársku pomoc. Môže dôjsť k strate zraku.**
5. **Akumulátor neskratujte:**
 - (1) **Nedotýkajte sa konektorov žiadnym vodivým materiálom.**
 - (2) **Neskladujte akumulátor v obale s inými kovovými predmetmi, napríklad klincami, mincami a pod.**
 - (3) **Akumulátor nevystavujte vode ani dažďu. Skrat akumulátora môže spôsobiť veľký tok prúdu, prehriatie, možné popáleniny či dokonca poruchu.**
6. **Nástroj ani akumulátor neskladujte a nepoužívajte na miestach s teplotou presahujúcou 50 °C (122 °F).**
7. **Akumulátor nespálujte, ani keď je vážne poškodený alebo úplne opotrebovaný. Akumulátor môže v ohni explodovať!**
8. **Akumulátor neprepichujte, neprerezávajte, nedrvté, nehádzte ani ho nenarúšajte údermi o tvrdé predmety.** Môže to viesť k požiaru, nadmernému teplu alebo výbuchu.
9. **Nepoužívajte poškodený akumulátor.**
10. **Lítium-iónové akumulátory, ktoré sú súčasťou náradia, podliehajú požiadavkám legislatívy o nebezpečnom tovare.**

V prípade obchodnej prepravy, napr. dodanie tretími stranami či špeditéri, sa musia dodržiavať špeciálne požiadavky na zabalenie a označenie. Pred prípravou položky na odoslanie sa vyžaduje konzultácia s odborníkom na nebezpečný materiál. Taktiež treba dodržiavať potenciálne podrobnejšie predpisy príslušnej krajiny. Prelepte alebo zakryte otvorené kontakty a zabaľte akumulátor tak, aby sa v balíku nemohol voľne pohybovať.
11. **Akumulátor pri likvidácii odstráňte z nástroja a zlikvidujte ho na bezpečnom mieste. Akumulátor zlikvidujte v súlade s miestnymi nariadeniami.**
12. **Akumulátory používajte iba s výrobkami uvedenými spoločnosťou Makita.** Inštalácia akumulátorov do nevyhovujúcich výrobkov môže spôsobiť požiar, nadmerné teplo, výbuch alebo únik elektrolytov.
13. **Ak sa nástroj dlhší čas nepoužíva, odstráňte z neho akumulátor.**
14. **Akumulátor sa môže počas používania a po použití zohriať, čo môže spôsobiť popáleniny alebo popáleniny aj pri relatívne nízkej teplote. Pri manipulácii s horúcimi akumulátormi dávajte pozor.**

15. **Nedotýkajte sa svorky nástroja ihneď po použití, keďže sa mohla zohriať dostatočne na to, aby spôsobila popálenie.**
16. **Zabráňte zachytávaniu triesok, prachu alebo zeminy na svorkách, otvoroch a drážkach akumulátora.** Môže to spôsobiť zohriatie, požiar, výbuch a poruchu nástroja alebo akumulátora, v dôsledku čoho môže dôjsť k popáleninám alebo zraneniu osôb.
17. **Pokiaľ nástroj nepodporuje používanie v blízkosti vysokonapäťových elektrických vedení, nepoužívajte akumulátor blízko vysokonapäťových elektrických vedení.** Môže to viesť k nesprávnemu fungovaniu alebo poškodeniu nástroja alebo akumulátora.
18. **Akumulátor držte mimo dosahu detí.**

TIETO POKYNY USCHOVAJTE.

⚠️ POZOR: Používajte len originálne akumulátory od spoločnosti Makita. Používanie batérií, ktoré nie sú od spoločnosti Makita, alebo upravených batérií môže spôsobiť výbuch batérie a následný požiar, zranenie osôb alebo poškodeniu majetku. Následkom bude aj zrušenie záruky od spoločnosti Makita na nástroj a nabíjačku od spoločnosti Makita.

Rady na udržanie maximálnej životnosti akumulátora

1. **Akumulátor nabíjajte ešte predtým, ako sa úplne vybije.** Vždy prerušte prácu s nástrojom a nabíjajte akumulátor, keď spozorujete nižší výkon nástroja.
2. **Nikdy nenabíjajte plne nabitý akumulátor.** Prebíjanie skracuje životnosť akumulátora.
3. **Akumulátor nabíjajte pri izbovej teplote 10 °C – 40 °C (50 °F – 104 °F).** Pred nabíjaním nechajte horúci akumulátor vychladnúť.
4. **Keď akumulátor nepoužívate, vyberte ho z nástroja alebo nabíjačky.**
5. **Lítium-iónový akumulátor nabíjajte, ak ste ho nepoužívali dlhšie ako šesť mesiacov.**

ZOSTAVENIE

⚠️ VAROVANIE: Pred vykonávaním akejkoľvek činnosti na kosačke vždy vyberte poistku a akumulátor. Ak nevyberiete poistku a akumulátor, môže to pri náhodnom spustení spôsobiť vážne zranenie osôb.

⚠️ VAROVANIE: Kosačku nikdy neštartujte, ak nie je úplne zmontovaná. Prevádzka čiastočne zmontovaného zariadenia môže pri náhodnom naštartovaní spôsobiť vážne zranenie.

Inštalácia rukoväti

UPOZORNENIE: Pri inštalácii rukoväti dávajte pozor, aby ste nepricvikli kábel medzi rukoväti. V prípade poškodenia kabeláže nemusí spínač kosačky fungovať.

1. Zarovnajete otvor v spodnej rukoväti s otvorom v hornej rukoväti, vložte skrutku zvonka, a potom dotiahnite vrúbkovanú maticu zvnútra. Rovnaký postup vykonajte aj na druhej strane.

Pre modely DLM481/DLM539

► **Obr.1:** 1. Skrutka 2. Vrúbkovaná matica 3. Spodná rukoväť 4. Horná rukoväť

Pre modely DLM480/DLM538

► **Obr.2:** 1. Skrutka 2. Vrúbkovaná matica 3. Spodná rukoväť 4. Horná rukoväť

2. Otočte otočný gombík o 90° a zároveň ťahajte otočný gombík na spodnej rukoväti na uvoľnenie poistného kolíka. Rovnaký postup vykonajte aj na druhej strane. Nadvihnite rukoväť a potom otočte otočný gombík na oboch stranách o 90°. Uistite sa, že všetky otočné gombíky sú riadne zaistené.

► **Obr.3:** 1. Otočný gombík

POZNÁMKA: Podopretie rukoväti uľahčuje uvoľnenie poistného kolíka pri ťahaní gombíka.

Odstránenie mulčovacej zátky

1. Otvorte zadný kryt.
- **Obr.4:** 1. Zadný kryt
2. Miernie nadvihnite mulčovaciu zátku a potom ju odstráňte.
- **Obr.5:** 1. Mulčovacia zátk

Montáž lapača trávy

1. Nadvihnite hornú sponu lapača trávy.
- **Obr.6:** 1. Horná spona
2. Vložte rám do lapača trávy až na doraz a súčasne nepúšťajte rukoväť rámu.
- **Obr.7:** 1. Rukoväť

UPOZORNENIE: Rukoväť nekladajte do lapača trávy. Nezabudnite rám vkladať pozdĺž stehu na lapači trávy.

3. Uistite sa, že okraje lapača trávy neprevísajú.
- **Obr.8**
4. Otvorte hornú sponu a pripevnite ju k rámu.
- **Obr.9**
5. Pripevnite aj zvyšné spony tak, ako je to znázornené na obrázku. Uistite sa, že všetky spony sú bezpečne pripevnené k rámu.
- **Obr.10:** 1. Spona

Montáž alebo demontáž lapača trávy

Pri montáži lapača trávy postupujte podľa nasledujúcich krokov.

1. Otvorte zadný kryt.
- **Obr.11:** 1. Zadný kryt
2. Držte rukoväť lapača trávy a háčikmi ho zachyťte o tyč na tele kosačky podľa zobrazenia na obrázku.
- **Obr.12:** 1. Lapač trávy 2. Rukoväť 3. Tyč

Pri demontáži lapača trávy otvorte zadný kryt a uchopte rukoväť lapača trávy vyberte.

Pripevnenie mulčovacej zátky

1. Otvorte zadný kryt a potom vyberte lapač trávy.
► **Obr.13:** 1. Zadný kryt 2. Lapač trávy
2. Pripojte mulčovaciu zátku tak, že ju zatlačíte až na doraz, aby výčnelky na mulčovacej zátke zapadli do otvorov na stroji.
► **Obr.14:** 1. Mulčovacia zátka 2. Výčnelok

OPIS FUNKCIÍ

Inštalácia alebo demontáž akumulátora

⚠ POZOR: Pred inštaláciou alebo vybratím akumulátora zariadenie vždy vypnite.

⚠ POZOR: Pri vkladaní alebo vyberaní akumulátora zariadenie a akumulátor držte pevne. Ak zariadenie a akumulátor pevne nechopíte, môže to mať za následok ich vyšmyknutie z vašich rúk s dôsledkom poškodenia zariadenia a akumulátora, ako aj zranení osôb.

⚠ POZOR: Pred použitím zaistíte kryt akumulátora. V opačnom prípade môžu blato, nečistoty alebo voda poškodiť výrobok alebo akumulátor.

⚠ POZOR: Akumulátor vždy nainštalujte úplne, až kým nie je vidieť červený indikátor. V opačnom prípade môže náhodne vypadnúť zo zariadenia a ublížiť vám alebo osobám v okolí.

⚠ POZOR: Pri inštalovaní akumulátora nepoužívajte silu. Ak sa akumulátor nedá zasunúť ľahko, nevkladáte ho správne.

⚠ POZOR: Pri inštalovaní alebo demontáži akumulátora pevne uchopíte kryt akumulátora.

POZNÁMKA: Zariadenie nefunguje len s jedným vloženým akumulátorom.

Inštalácia akumulátora:

1. Potiahnite poistnú páčku nahor a potom otvorte kryt akumulátora.
► **Obr.15:** 1. Kryt akumulátora 2. Poistná páčka
2. Zarovnajzte výčnelok akumulátora s otvorom na stroji a následne akumulátor zasúvajte, kým sa nezaistí na mieste a ozve sa slabé cvaknutie.
► **Obr.16:** 1. Akumulátor
3. Zasuňte poistku na miesto znázornené na obrázku až na doraz.
► **Obr.17:** 1. Poistka
4. Zatvorte kryt akumulátora, zatlačte ho a uzavrite pomocou poistnej páčky.

Vybratie akumulátora:

1. Potiahnite poistnú páčku nahor a otvorte kryt akumulátora.
2. Pri vyberaní akumulátor vysuňte zo stroja posúvaním tlačidla na prednej strane akumulátora.
3. Vytiahnite poistku.
4. Zatvorte kryt akumulátora.

System na ochranu zariadenia/akumulátora

Zariadenie je vybavené systémom ochrany zariadenia/akumulátora. Tento systém automaticky vypne napájanie motora s cieľom predĺžiť životnosť zariadenia a akumulátora. Zariadenie sa počas prevádzky automaticky zastaví v prípade, ak sa zariadenie alebo akumulátor dostanú do jedného z nasledujúcich stavov:

Ochrana proti preťaženiu

Keď sa akumulátor používa spôsobom, ktorý spôsobuje nadmerný odber prúdu, stroj sa automaticky zastaví a indikátor napájania bude blikať nazeleno. V tejto situácii vypnite zariadenie a ukončíte používanie, ktoré spôsobuje jeho preťažovanie. Potom zariadenie zapnutím znova spustíte.

Ochrana pred prehrievaním

Ak je stroj alebo akumulátor prehriaty, stroj sa automaticky zastaví a indikátor napájania bude svietiť načerveno. V takomto prípade nechajte zariadenie a akumulátor pred opätovným spustením vychladnúť.

Ochrana pred nadmerným vybitím

Keď je kapacita akumulátora nedostatočná, stroj sa automaticky vypne a indikátor napájania bude blikať načerveno. V takom prípade vyberte akumulátor zo stroja a nabíte akumulátory alebo vymeňte akumulátory za plne nabité.

Ochrana pred ďalšími nebezpečenstvami

Systém ochrany bol navrhnutý tak, aby chránil aj pred ďalšími nebezpečenstvami, ktoré by mohli poškodiť stroj, a zaisťuje automatické zastavenie stroja. Ak sa stroj dočasne zastavil alebo prerušil prevádzku, problém vyriešte vykonaním všetkých nasledujúcich krokov.

1. Reštartujte stroj tak, že ho vypnete a potom znova zapnete.
2. Nabíte akumulátory alebo ich vymeňte za nabité akumulátory.
3. Nechajte stroj aj akumulátory vychladnúť.

Ak po obnovení systému ochrany nedošlo k zlepšeniu stavu, obráťte sa na miestne servisné stredisko spoločnosti Makita.

UPOZORNENIE: Ak sa stroj vypne z dôvodov, ktoré nie sú opísané vyššie, pozrite si riešenie problémov.

Indikácia zvyšnej kapacity akumulátora

► **Obr.18:** 1. Indikátor akumulátora

Ak je zostávajúca kapacita akumulátora nízka, kontrolka akumulátora na strane príslušného akumulátora bliká. Pri ďalšom použití sa stroj zastaví a rozsvieti sa kontrolka akumulátora. V takej situácii nabíte akumulátor.

Indikácia zvyšnej kapacity akumulátora

Len na akumulátory s indikátorom

► Obr.19: 1. Indikátory 2. Tlačidlo kontroly

Stlačením tlačidla kontroly na akumulátore zobrazíte zostávajúcu kapacitu akumulátora. Indikátory sa na niekoľko sekúnd rozsvietia.

Indikátory			Zostávajúca kapacita
Svieti	Nesvieti	Bliká	
■	□	◐	75 % až 100 %
■ ■ ■ ■			
■ ■ ■ □			
■ ■ □ □			50 % až 75 %
■ ■ □ □	□ □		25 % až 50 %
■ □ □ □	□ □ □ □		0 % až 25 %
◐ □ □ □	□ □ □ □		Akumulátor nabité.
■ ■ □ □	□ □ □ □		Akumulátor je možno chybný.
□ □ ■ ■			

POZNÁMKA: V závislosti od podmienok používania a v závislosti od okolitej teploty sa môže zobrazenie mierne odlišovať od skutočnej kapacity.

POZNÁMKA: Prvý (úplne vľavo) svetelný indikátor bude blikať, keď systém ochrany akumulátora funguje.

Hlavný vypínač

VAROVANIE: Ak sa náradie nepoužíva, hlavný vypínač treba vždy vypnúť.

► Obr.20: 1. Indikátor napájania 2. Hlavný vypínač

Ak chcete zapnúť zariadenie, stlačte hlavný vypínač. Indikátor napájania sa rozsvieti nazeleno. Ak chcete vypnúť zariadenie, znovu stlačte hlavný vypínač.

POZNÁMKA: Ak indikátor napájania svieti načerveno alebo bliká načerveno alebo nazeleno, pozrite si pokyny pre systém na ochranu stroja/akumulátora.

POZNÁMKA: Toto zariadenie disponuje funkciou automatického vypnutia. Hlavný vypínač sa automaticky vypne, ak po určitej dobe od jeho zapnutia nevytiahnete spínaciu páčku alebo páčku pohonu (ak je vo výbave), aby sa zabránilo neúmyselnému spusteniu.

Zapínanie

VAROVANIE: Pred nainštalovaním akumulátora sa vždy presvedčte, či sa spínacia páčka správne aktivuje a či sa po uvoľnení vracia do pôvodnej polohy. Prevádzka stroja s nesprávne fungujúcim spúšťacím spínačom môže viesť k strate ovládania a k vážnym zraneniam osôb.

POZNÁMKA: Kosačka nenašartuje bez stlačenia spínača ani po potiahnutí za spínaciu páčku.

POZNÁMKA: Kosačka sa nemusí spustiť v dôsledku preťaženia, keď sa pokúšate kosiť dlhú alebo hustú trávu. V tomto prípade zvýšte výšku kosenia.

Táto kosačka je vybavená blokovacím kľúčom a spínačom na rukoväti. Ak spozorujete na blokovacom kľúči alebo spínači niečo nezvyčajné, okamžite zastavte prevádzku a nechajte ich skontrolovať v najbližšom autorizovanom servisnom stredisku spoločnosti Makita.

Pre modely DLM481/DLM539

1. Vložte akumulátory. Vložte blokovací kľúč a potom zatvorte kryt akumulátora.
2. Stlačte hlavný vypínač.
3. Potiahnite spínaciu páčku smerom k sebe a zároveň držte stlačené tlačidlo spínača. Len čo motor naštartuje, uvoľnite tlačidlo spínača.
- Obr.21: 1. Spínač 2. Spínacia páčka
4. Držte spínaciu páčku a zároveň tlačte páčku pohonu dopredu a držte ju, čím sa aktivujú zadné kolesá.

► Obr.22: 1. Páčka pohonu

POZNÁMKA: Zadné kolesá môžete aktivovať tlačением páčky pohonu dopredu a jej podržaním bez toho, aby ste ťahali spínaciu páčku.

5. Ak chcete stroj zastaviť, uvoľnite páčku pohonu a spínaciu páčku.

Pre modely DLM480/DLM538

1. Vložte akumulátory. Vložte blokovací kľúč a potom zatvorte kryt akumulátora.
2. Stlačte hlavný vypínač.
3. Potiahnite spínaciu páčku smerom k sebe a zároveň držte stlačené tlačidlo spínača. Len čo motor naštartuje, uvoľnite tlačidlo spínača.
- Obr.23: 1. Spínač 2. Spínacia páčka
4. Motor zastavíte uvoľnením spínacej páčky.

Nastavenie výšky kosenia

VAROVANIE: Pri nastavovaní výšky kosenia nikdy nekladte ruku ani nohu pod telo kosačky.

VAROVANIE: Pred prevádzkovaním zasuňte páčku správnym spôsobom do drážky.

Výšku kosenia možno nastaviť v rozsahu 20 mm až 100 mm.

Vytiahnite blokovací kľúč, potom potiahnite páčku nastavenia výšky kosenia smerom von z tela kosačky a presuňte ju do požadovanej výšky kosenia.

► Obr.24: 1. Páčka na nastavenie výšky kosenia

V nasledujúcej tabuľke je uvedený vzťah medzi číslom na tele kosačky a približnou výškou kosenia.

Číslo	Výška kosenia
1	20 mm
2	26 mm
3	32 mm
4	40 mm
5	49 mm
6	59 mm
7	70 mm
8	81 mm
9	92 mm
10	100 mm

Jednou rukou podržte spodnú rukoväť a druhou rukou pohnite páčkou na nastavenie výšky kosenia.

► **Obr.25:** 1. Páčka na nastavenie výšky kosenia
2. Spodná rukoväť

POZNÁMKA: Číselné hodnoty výšky kosenia slúžia ako pomôcka. V závislosti od stavu trávnik alebo pôdy sa môže skutočná výška od tej nastavenej mierne odlišovať.

POZNÁMKA: Aby ste dosiahli požadovanú výšku, vyskúšajte si kosenie trávy na menej nápadnom mieste.

Indikátor množstva trávy

Indikátor množstva trávy signalizuje objem pokosenej trávy. Ak lapač trávy nie je plný, indikátor sa počas pohybu čepeli pohybuje.

► **Obr.26:** 1. Indikátor množstva trávy

Ak je lapač trávy takmer plný, indikátor sa počas pohybu čepeli nepohybuje. V tomto prípade okamžite prestaňte kosiť a lapač vyprázdňte.

► **Obr.27:** 1. Indikátor množstva trávy

POZNÁMKA: Tento indikátor je len približný. V závislosti od stavu vnútri lapača nemusí tento indikátor fungovať správne.

Nastavenie výšky rukoväte

Výšku rukoväti možno nastaviť v dvoch úrovniach.

1. Podržte spodnú rukoväť a potom otočte otočný gombík o 90°, pričom ťahajte za otočný gombík na spodnej rukoväti na uvoľnenie poistného kolíka. Rovnaký postup vykonajte aj na druhej strane.

► **Obr.28:** 1. Spodná rukoväť 2. Otočný gombík

POZNÁMKA: Podopretie rukoväti uľahčuje uvoľnenie poistného kolíka pri ťahaní gombíka.

2. Nastavte výšku rukoväti a potom otočte otočný gombík na oboch stranách o 90°. Uistite sa, že všetky otočné gombíky sú riadne zaistené.

► **Obr.29:** 1. Otočný gombík

Nastavenie rýchlosti pojazdu

Pre modely DLM481/DLM539

► **Obr.30:** 1. Páčka rýchlosti

Rýchlosť pojazdu možno nastaviť páčkou rýchlosti. Ak chcete rýchlosť znížiť, potiahnite páčku smerom k sebe a na zvýšenie rýchlosti zatlačte páčku dopredu.

Použitie mulčovacej zátky

Mulčovacia zátka umožňuje vrátiť pokosenú trávu späť na trávnik bez toho, aby sa táto tráva dostala do lapača trávy. Pri používaní zariadenia s mulčovacou zátkou nezabudnite odstrániť lapač trávy.

UPOZORNENIE: Pri používaní zariadenia s mulčovacou zátkou sa uistite, že celková výška trávy po kosení je minimálne 30 mm, alebo že výška kosenia je maximálne 15 mm.

► **Obr.31:** (1) Minimálne 30 mm (2) Maximálne 15 mm

Používanie zadného vyprázdnenia

Zadné vyprázdnenie umožňuje vysýpanie pokosenej trávy na zem zo zadnej strany zariadenia bez toho, aby sa táto tráva dostala do lapača trávy.

Ak používate zadné vyprázdnenie zariadenia, nezabudnite odmontovať lapač trávy, mulčovaciu zátka a zatvoriť zadný kryt.

Elektronické funkcie

Zariadenie je kvôli jednoduchšej obsluhu vybavené elektronickými funkciami.

- Pozvoľný rozbeh pri jazde
Funkcia pozvoľného rozbehu minimalizuje štartovací otras a umožňuje hladké spustenie zariadenia.
- Elektrická brzda
Tento stroj je vybavený elektrickou brzdou. Ak stroj neustále po uvoľnení spínacej páčky rýchlo nezastavuje čepel kosačky, nechajte vykonať servis stroja v servisnom stredisku spoločnosti Makita.

PREVÁDZKA

Kosenie

VAROVANIE: Pred koseníím vždy odstráňte konáre a kamene z miesta kosenia. Z plochy, ktorú budete kosiť, okrem toho vopred odstráňte burinu.

VAROVANIE: Pri práci s kosačkou vždy používajte ochranný štít na tvár alebo ochranné okuliare s bočnými štítmí.

POZOR: Ak vnútro tela kosačky upchá pokosená tráva alebo cudzí predmet, vytiahnite blokovací kľúč a akumulátor a pred odstránením trávy alebo cudzieho predmetu si nasadte rukavice.

UPOZORNENIE: Toto zariadenie používajte iba na kosenie trávy. Týmto zariadením nekoste burinu.

► **Obr.32**

Počas kosenia držte rukoväť pevne obidvomi rukami. Orientačná rýchlosť kosenia je približne 7 až 14 metrov za 10 sekúnd.

► **Obr.33**

POZNÁMKA: Ak sa po kosení vysokého alebo hustého trávnik zistí nerovnomerná dĺžka trávnik alebo nedokonaná konečná úprava, alebo sa počas kosenia zistí zníženie otáčok motora, znížte rýchlosť kosenia pod odporúčanie v tomto návode alebo zvýšte výšku kosenia.

Stredové línie predných kolies slúžia ako pomôcka na určenie šírky kosenia. Kosenie vykonávajte postupne v pásoch, pričom ako orientačnú pomôcku použite stredové línie. Aby bol trávnik rovnomerne pokosený, prekryte predchádzajúci pokosený pás o jednu polovicu až jednu tretinu.

► **Obr.34:** 1. Šírka kosenia 2. Prekrývajúca časť 3. Stredová línia

Smer kosenia zakaždým zmeňte, aby sa na trávne nevytvoril vzor zrna, ktorý vzniká pri kosení iba jedným smerom.

► **Obr.35**

Pravidelne kontrolujte množstvo pokosenej trávy v lapači. Lapač vyprázdňte ešte pred jeho naplnením. Pred každou pravidelnou kontrolou kosačky zastavte a vyberte z nej poistku a akumulátor.

UPOZORNENIE: Používanie kosačky s plným lapačom trávy bráni plynulému otáčaniu čepele, pričom dochádza k zvýšenému zaťaženiu motora, ktorý sa môže poškodiť.

Kosenie vysokého trávnik

Vysoký trávnik sa nesnažte kosiť na jedno kosenie. Namiesto toho koste trávnik v niekoľkých krokoch. Jednotlivé kosenia vykonávajte s jedno- alebo dvojitou prestávkou, kým trávnik nie je rovnomerne pokosený.

► **Obr.36**

POZNÁMKA: Kosenie vysokého trávnik na krátku dĺžku jedným kosením môže spôsobiť odumretie trávy. Okrem toho sa pokosená tráva môže zaseknúť vnútri tela kosačky.

POZNÁMKA: Ak sa po kosení zistí nerovnomerná dĺžka trávnik alebo nedokonaná konečná úprava, alebo sa počas kosenia zistí zníženie otáčok motora, znížte rýchlosť kosenia alebo zvýšte výšku kosenia.

Vyprázdnenie lapača trávy

VAROVANIE: Aby ste znížili riziko úrazu, pravidelne kontrolujte lapač trávy, či nie je poškodený alebo oslabený. V prípade potreby vymeňte lapač trávy.

1. Uvoľnite spínaciu páčku a páčku pohonu (pre modely DLM481/DLM539), alebo uvoľnite spínaciu páčku (pre modely DLM480/DLM538).

2. Vytiahnite poistku.

3. Otvorte zadný kryt a uchopením rukoväti lapača trávy vyberte.

► **Obr.37:** 1. Zadný kryt 2. Rukoväť 3. Lapač trávy

4. Vyprázdňte lapač trávy.

ÚDRŽBA

VAROVANIE: Pred uskladnením, prenášaním, vykonávaním kontroly alebo údržby kosačky z nej vždy vyťahujte blokovací kľúč a akumulátor.

VAROVANIE: Keď sa kosačka nepoužíva, vždy z nej vyťahujte poistku. Poistku uschovajte na bezpečnom mieste mimo dosahu detí.

VAROVANIE: Kontrolu alebo údržbu vždy vykonávajte v rukaviciach.

VAROVANIE: Pri vykonávaní kontroly alebo údržby vždy používajte ochranný štít na tvár alebo ochranné okuliare s bočnými štítmí.

UPOZORNENIE: Nepoužívajte benzín, riedidlo, alkohol ani podobné látky. Mohlo by to spôsobiť zmenu farby, deformácie alebo praskliny.

Ak chcete udržať BEZPEČNOSŤ a BEZPORUCHOVOSŤ výrobku, prenechajte opravy, údržbu a nastavenie na autorizované alebo továrenské servisné centrá Makita, ktoré používajú len náhradné diely značky Makita.

Údržba

1. Vyberte blokovací kľúč a akumulátory a potom zatvorte kryt akumulátora.

2. Otočte kosačku nabok. Vyčistite zvyšky trávy nahromadené v spodnej časti skrine kosačky.

3. Vodu smerujte k spodnej časti zariadenia, ku ktorej je pripevnená čepeľ.

UPOZORNENIE: Zariadenie neumývajte vodou pod vysokým tlakom.

4. Skontrolujte uťahnutie všetkých matíc, svorníkov, skrutiek atď.

5. Skontrolujte, či pohyblivé časti nie sú poškodené, zlomené alebo opotrebované. Poškodené alebo chýbajúce časti treba opraviť alebo nahradiť.

6. Kosačku odložte na bezpečné miesto mimo dosahu detí.

Pre modely DLM481/DLM539

UPOZORNENIE: Nelejte vodu do oblasti znázornenej na obrázku. Naliatie vody do motora môže spôsobiť poruchu stroja.

► **Obr.38:** 1. Oblasť, kde sa nesmie naliať voda

Pre modely DLM481/DLM539

UPOZORNENIE: Nelejte vodu na stroj, pokiaľ je v vzpriamenej polohe, ako je to znázornené na obrázku. Ak je stroj vo vzpriamenej polohe, voda môže stiecť do motorovej jednotky a spôsobiť poruchu stroja.

► **Obr.39**

Prenášanie kosačky

⚠️ POZOR: Pred prenášaním kosačky nezabudnite vybrať akumulátor a poistku.

Pri prenášaní kosačky musia dve osoby uchopiť zadné držadlo a spodnú časť na uchopenie v prednej časti stroja tak, ako je znázornené na obrázku.

► **Obr.40:** 1. Spodná časť na uchopenie 2. Zadné držadlo

Skladovanie

⚠️ POZOR: Keď dávate zariadenie do vzpriamenej polohy, umiestnite ho na rovnú a stabilnú plochu. Ak je zariadenie umiestnené na nestabilnej ploche, môže sa prevrátiť a spôsobiť zranenie.

Kosačku uskladnite vnútri na chladnom, suchom a uzamknutom mieste. Kosačku a nabíjačku neskladujte na miestach, kde môže teplota dosiahnuť či prekročiť 40 °C.

1. Vyberte akumulátor a poistku.
 2. Otočte otočný gombík o 90° a zároveň ťahajte otočný gombík na spodnej rukoväti na uvoľnenie poistného kolíka. Rovnaký postup vykonajte aj na druhej strane a potom sklopte rukoväť.
- **Obr.41:** 1. Otočný gombík

POZNÁMKA: Podopretie rukoväti uľahčuje uvoľnenie poistného kolíka pri ťahaní gombíka.

3. Otočte otočný gombík na oboch stranách o 90°. Uistite sa, že všetky otočné gombíky sú riadne zaistené.

Pre modely DLM481/DLM539

► **Obr.42:** 1. Otočný gombík

Pre modely DLM480/DLM538

► **Obr.43:** 1. Otočný gombík

UPOZORNENIE: Pri sklápaní rukoväti dávajte pozor, aby ste nepricvikli káble.

4. Povoľte vrúbkované matice na oboch stranách a potom sklopte hornú rukoväť tak, ako je znázornené na obrázku.

► **Obr.44:** 1. Vrúbkovaná matica 2. Horná rukoväť

5. Umiestnite zariadenie do vzpriamenej polohy.

POZNÁMKA: Pri ukladaní kosačky do vzpriamenej polohy kosačku nedržte len za rukoväť, ale uchopte ju za skriňu kosačky aj rukoväť.

6. Lapač trávy uskladnite tak, ako je znázornené na obrázku.

► **Obr.45:** 1. Lapač trávy

► **Obr.46:** 1. Lapač trávy

Demontáž alebo montáž čepele kosačky

⚠️ VAROVANIE: Po uvoľnení spínača sa čepeľ bude ešte chvíľu otáčať. Ďalšiu prácu nezačínajte, kým sa čepeľ úplne nezastaví.

⚠️ VAROVANIE: Pri demontáži a inštalácii čepele vždy vyberte poistku a akumulátor. Ak nevyberiete poistku a akumulátor, môže to spôsobiť vážne zranenie.

⚠️ VAROVANIE: Pri manipulácii s čepeľou vždy používajte rukavice.

Demontáž čepele kosačky

1. Otočte kosačku nabok tak, aby páčka na nastavenie výšky kosenia bola na spodnej strane.
 2. Na zaistenie čepele vložte kolík do otvoru na skriňu kosačky až na doraz.
 3. Nástrčným kľúčom č. 17 otáčajte skrutku proti smeru hodinových ručičiek.
- **Obr.47:** 1. Čepeľ kosačky 2. Kolík 3. Nástrčný kľúč
4. Odstráňte skrutku a potom čepeľ kosačky.
- **Obr.48:** 1. Držiak čepele 2. Čepeľ kosačky 3. Skrutka 4. Výčnelok

UPOZORNENIE: Pri montáži čepele kosačky sa uistite, že výčnelky na držiaku čepele zapadli do otvorov v čepeľi kosačky.

Inštalácia čepele kosačky

⚠️ VAROVANIE: Montáž čepele kosačky vykonajte opatrne. Čepeľ má vrchnú a spodnú stranu.

⚠️ VAROVANIE: Pevným utiahnutím skrutky v smere hodinových ručičiek čepeľ zaistíte.

⚠️ VAROVANIE: Skontrolujte, či sú čepeľ kosačky a všetky upevňovacie súčasti správne nainštalované a pevne utiahnuté.

⚠️ VAROVANIE: Pri výmene čepeľi vždy dodržiavajte pokyny uvedené v tomto návode.

UPOZORNENIE: Po namontovaní čepeľi kosačky vyberte kolík z tela kosačky.

Pri montáži čepeľi kosačky vykonajte kroky demontáže v opačnom poradí.

RIEŠENIE PROBLÉMOV

Pred požiadanim o vykonanie opravy najprv vykonajte vlastnú kontrolu. Ak zistíte problém, ktorý nie je vysvetlený v tomto návode, nepokúšajte sa stroj rozoberať. Namiesto toho požiadajte o opravu autorizované servisné strediská spoločnosti Makita, ktoré používajú len náhradné diely značky Makita.

Chybný stav	Predpokladaná príčina (porucha)	Náprava
Kosačka neštartuje.	Dva akumulátory nie sú nainštalované.	Nainštalujte dva nabité akumulátory.
	Problém akumulátora (podpätie)	Akumulátor znova nabite. Pokiaľ nabíjanie nie je účinné, vymeňte akumulátor.
	Blokovací kľúč nie je zasunutý.	Vložte blokovací kľúč.
Motor po krátkom používaní zastane.	Nabitie akumulátora nie je dostatočné.	Akumulátor znova nabite. Pokiaľ nabíjanie nie je účinné, vymeňte akumulátor.
	Výška kosenia je nastavená na nízku hodnotu.	Zväčšite výšku kosenia.
	Pokosená tráva sa upcháva v kosačke.	Odstráňte upchatú trávu z kosačky.
Motor nedosahuje maximálne otáčky.	Akumulátor nie je nainštalovaný správne.	Akumulátor nainštalujte podľa popisu v tomto návode.
	Výkon akumulátora klesá.	Akumulátor znova nabite. Pokiaľ nabíjanie nie je účinné, vymeňte akumulátor.
	Systém pohonu nefunguje správne.	O opravu požiadajte miestne autorizované servisné stredisko.
Čepeľ kosačky sa neatáča: ⇒ okamžite kosačku zastavte!	V blízkosti čepele sa zasekol cudzí predmet, napr. konár.	Odstráňte cudzí predmet.
	Systém pohonu nefunguje správne.	O opravu požiadajte miestne autorizované servisné stredisko.
Nadmerné vibrácie: ⇒ okamžite kosačku zastavte!	Čepeľ je nevyvážená, je nadmerne alebo nerovnomerne opotrebovaná.	Vymeňte čepeľ.

VOLITEĽNÉ PRÍSLUŠENSTVO

⚠ POZOR: Pre váš výrobok Makita opísaný v tomto návode odporúčame používať toto príslušenstvo alebo nadstavce. Pri použití iného príslušenstva či nadstavcov môže hroziť nebezpečenstvo zranenia osôb. Príslušenstvo a nadstavce sa môžu používať len na stanovené účely.

Ak potrebujete bližšie informácie týkajúce sa tohoto príslušenstva, obráťte sa na vaše miestne servisné stredisko firmy Makita.

- Čepeľ kosačky
- Originálna batéria a nabíjačka Makita

POZNÁMKA: Niektoré položky zo zoznamu môžu byť súčasťou balenia produktu vo forme štandardného príslušenstva. Rozsah týchto položiek môže byť v každej krajine odlišný.

SPECIFIKACE

Model:		DLM480	DLM481	DLM538	DLM539
Šířka sečení (průměr nožů)		480 mm		534 mm	
Otáčky bez zatížení		3 100 min ⁻¹		3 000 min ⁻¹	
Číslo dílu náhradního sekacího nože	Rovný sekací nůž	191V97-3		191V96-5 / 191W87-2	
	Mulčovací nůž	191Y64-6		191Y65-4	
Rozměry (D x Š x V)	provozní	D: 1 690 mm až 1 740 mm Š: 530 mm V: 930 mm až 1 060 mm		D: 1 810 mm až 1 870 mm Š: 580 mm V: 920 mm až 1 040 mm	
	při skladování (bez koše na trávu)	580 mm × 530 mm × 870 mm		610 mm × 580 mm × 925 mm	
Rychlost jízdy		–	2,5 – 5,0 km/h	–	2,5 – 5,0 km/h
Jmenovité napětí		36 V DC			
Čistá hmotnost		24,5 – 26,8 kg	27,0 – 29,3 kg	25,5 – 28,0 kg	27,9 – 30,4 kg
Stupeň ochrany		IPX4			

- Vzhledem k neustálému výzkumu a vývoji zde uvedené technické údaje podléhají změnám bez upozornění.
- Specifikace se mohou pro různé země lišit.
- Hmotnost se může lišit v závislosti na nastavcích a přídatných zařízeních, včetně akumulátoru. Nejlehčí a nejtěžší kombinace, dle EPTA-Procedure 01/2014, jsou uvedeny v tabulce níže.

Použitelný akumulátor a nabíječka

Akumulátor	BL1815N / BL1820B / BL1830B / BL1840B / BL1850B / BL1860B
Nabíječka	DC18RC / DC18RD / DC18RE / DC18SD / DC18SE / DC18SF / DC18SH / DC18WC







- V závislosti na regionu vašeho bydliště nemusí být některé akumulátory a nabíječky k dispozici.

VAROVÁNÍ: Používejte pouze výše uvedené akumulátory a nabíječky. Použití jiných akumulátorů a nabíječek může způsobit zranění a/nebo požár.

VAROVÁNÍ: Tento stroj nenapájejte ze sítě prostřednictvím adaptéru baterie nebo přenosného akumulátoru. Kabel tohoto zdroje napájení může bránit provozu a způsobit zranění osob.

Symbyoly

Níže jsou uvedeny symboly, se kterými se můžete při použití náradí setkat. Je důležité, abyste dříve, než s ním začnete pracovat, pochopili jejich význam.

	Buďte obzvláště opatrní a dávejte pozor.
	Přečtěte si návod k obsluze.
	Nebezpečí – pozor na odmrštěné předměty.
	Vzdálenost mezi zařízení a přihlížejícími osobami musí být alespoň 15 m.
	Nikdy nepřibližujte ruce ani nohy do blízkosti sekacího nože v dolní části sekačky. Sekací nože se po vypnutí motoru nadále otáčejí.
	Před prováděním kontroly, seřizování, čištění, údržbou, ponecháním sekačky bez dozoru či před uskladněním vytáhněte blokovací klíč.



Varování: Před údržbou odpojte akumulátor.



Nebezpečí úrazu elektrickým proudem. Při kontaktu s vodou hrozí zásah elektrickým proudem.



Zabraňte vniknutí vody.



Pouze pro země EU
Z důvodu přítomnosti nebezpečných součástí v zařízení mohou odpadní elektrické a elektronické zařízení, akumulátory a baterie negativně ovlivnit životní prostředí a lidské zdraví. Elektrické a elektronické spotřebiče ani akumulátory nevyhazujte do domovního odpadu! V souladu s evropskou směrnicí o odpadních elektrických a elektronických zařízeních, akumulátorech a bateriích a odpadních akumulátorech a bateriích, stejně jako jejím přizpůsobením ve vnitrostátním právu, by odpadní elektrická zařízení, baterie a akumulátory měly být uchovávány odděleně a měly by být odevzdány na vyhrazeném sběrném místě komunálního odpadu, které je provozováno v souladu s předpisy na ochranu životního prostředí. Toto je označeno symbolem přeškrtnuté popelnice na kolečkách, který je umístěn na zařízení.



Zaručená hladina akustického výkonu podle směrnice EU o hluku ve venkovním prostoru.



Hladina akustického výkonu podle nařízení australské vlády NSW o kontrole hluku

Účel použití

Stroj je určen k sečení trávy.

Hlučnost

Typická vážená hladina hluku (A) určená podle normy EN60335-2-77:

Model DLM480

Hladina akustického tlaku (L_{pA}): 84 dB(A)
Hladina akustického výkonu (L_{WA}): 92 dB (A)
Nejistota (K): 3 dB(A)

Model DLM481

Hladina akustického tlaku (L_{pA}): 84 dB(A)
Hladina akustického výkonu (L_{WA}): 92 dB (A)
Nejistota (K): 3 dB(A)

Model DLM538

Hladina akustického tlaku (L_{pA}): 85 dB(A)
Hladina akustického výkonu (L_{WA}): 96 dB (A)
Nejistota (K): 3 dB(A)

Model DLM539

Hladina akustického tlaku (L_{pA}): 85 dB(A)
Hladina akustického výkonu (L_{WA}): 96 dB (A)
Nejistota (K): 3dB(A)

POZNÁMKA: Celková(é) hodnota(y) emisí hluku byla(y) změřena(y) v souladu se standardní zkušební metodou a dá se použít k porovnání nářadí mezi sebou.

POZNÁMKA: Hodnotu(y) deklarovaných emisí hluku lze také použít k předběžnému posouzení míry expozice vibracím.

VAROVÁNÍ: Používejte ochranu sluchu.

VAROVÁNÍ: Emise hluku se při používání elektrického nářadí ve skutečnosti mohou od deklarované(ých) hodnot(y) lišit v závislosti na způsobech použití nářadí.

VAROVÁNÍ: Nezapomeňte stanovit bezpečnostní opatření na ochranu obsluhy podle odhadu expozice ve skutečných podmínkách použití. (Vezměte přitom v úvahu všechny části provozního cyklu, tj. kromě doby zátěže například doby, kdy je nářadí vypnuté a kdy běží naprázdno.)

Vibrace

Celková hodnota vibrací (vektorový součet tří os) určená podle normy EN60335-2-77:

Model DLM480

Emise vibrací (a_h): 2,5 m/s² nebo méně
Nejistota (K): 1,5 m/s²

Model DLM481

Emise vibrací (a_h): 2,5 m/s² nebo méně
Nejistota (K): 1,5 m/s²

Model DLM538

Emise vibrací (a_h): 2,5 m/s² nebo méně
Nejistota (K): 1,5 m/s²

Model DLM539

Emise vibrací (a_h): 2,5 m/s² nebo méně
Nejistota (K): 1,5 m/s²

POZNÁMKA: Celková(é) hodnota(y) deklarovaných vibrací byla(y) změřena(y) v souladu se standardní zkušební metodou a dá se použít k porovnání nářadí mezi sebou.

POZNÁMKA: Celkovou(é) hodnotu(y) deklarovaných vibrací lze také použít k předběžnému posouzení míry expozice vibracím.

VAROVÁNÍ: Emise vibrací se při používání elektrického nářadí ve skutečnosti mohou od deklarované(ých) hodnot(y) lišit v závislosti na způsobech použití nářadí.

VAROVÁNÍ: Nezapomeňte stanovit bezpečnostní opatření na ochranu obsluhy podle odhadu expozice ve skutečných podmínkách použití. (Vezměte přitom v úvahu všechny části provozního cyklu, tj. kromě doby zátěže například doby, kdy je nářadí vypnuté a kdy běží naprázdno.)

Prohlášení ES o shodě

Pouze pro evropské země

Prohlášení ES o shodě je obsaženo v Příloze A tohoto návodu k obsluze.

BEZPEČNOSTNÍ VÝSTRAHY

Obecná bezpečnostní upozornění k elektrickému nářadí

VAROVÁNÍ: Přečtěte si všechny bezpečnostní výstrahy i pokyny a prohlédněte si ilustrace a specifikace dodané k tomuto elektrickému nářadí. Nedodržení všech níže uvedených pokynů může vést k úrazu elektrickým proudem, požáru či vážnému zranění.

Všechna upozornění a pokyny si uschovejte pro budoucí potřebu.

Pojem „elektrické nářadí“ v upozorněních označuje elektrické nářadí, které se zapojuje do elektrické sítě, nebo elektrické nářadí využívající akumulátory.

Bezpečnostní varování k akumulátorové sekačce na trávu

1. **Sekačku na trávu nepoužívejte za nepříznivého počasí, zvláště existuje-li nebezpečí bouřek.** Snižuje se tím riziko zásahu obsluhy bleskem.
2. **Místo použití sekačky na trávu pečlivě zkontrolujte, zda se tam nenachází zvíř.** Za provozu sekačky na trávu může dojít ke zranění zvíře.
3. **Pečlivě zkontrolujte oblast použití sekačky na trávu a odstraňte veškeré kameny, větve, dráty, kosti a další cizí předměty.** Vystřelené předměty mohou způsobit zranění.

DŮLEŽITÉ BEZPEČNOSTNÍ POKYNY

4. Před použitím sekačky na trávu vždy vizuálně zkontrolujte, zda nože a sestava nožů nejsou opotřebované nebo poškozené. Opotřebované nebo poškozené díly zvyšují riziko zranění.
5. Často kontrolujte zachycovač trávy, zda není opotřebovaný či poškozený. Opotřebovaný nebo poškozený zachycovač trávy zvyšuje riziko zranění.
6. Udržujte kryty na jejich místě. Kryty musí být ve funkčním stavu a správně uchycené. Kryt, který je uvolněný, poškozený nebo nefunguje správně, může způsobit zranění.
7. Zajistěte, aby všechny přívody chladicího vzduchu byly prosté nečistot. Zablokované vzduchové otvory a úločky mohou mít za následek přehřátí nebo nebezpečí požáru.
8. Při obsluze sekačky na trávu vždy noste neklouzavou ochrannou obuv. Se sekačkou na trávu nepracujte naboso ani v otevřené obuvi. Tím se snižuje nebezpečí zranění nohou při kontaktu s pohyblivým se nožem.
9. Při obsluze sekačky na trávu vždy noste dlouhé kalhoty. Odhalená kůže zvyšuje pravděpodobnost zranění vyvrstvenými předměty.
10. Se sekačkou na trávu nepracujte v mokré trávě. Kráčejte – nikdy neběhejte. Tím snížíte nebezpečí uklouznutí a pádu a případného následného zranění.
11. Neprovazujte sekačku na trávu na mimořádně strmých svazích. Tím snížíte nebezpečí ztráty kontroly, uklouznutí a pádu a případného následného zranění.
12. Při práci na svazích vždy zkontrolujte, zda máte pevnou půdu pod nohama, pracujte vždy napříč svahem, nikdy směrem nahoru nebo dolů, a buďte mimořádně opatrní při změně směru. Tím snížíte nebezpečí ztráty kontroly, uklouznutí a pádu a případného následného zranění.
13. Při couvání či tahání sekačky na trávu směrem k sobě buďte mimořádně opatrní. Vždy dávejte pozor na okolí. Tím se snižuje nebezpečí klopýtnutí při práci.
14. Nedotýkejte se nožů a dalších nebezpečných pohyblivých dílů, když se pohybují. Tím se snižuje nebezpečí zranění pohyblivými díly.
15. Při odstraňování zaseknutého materiálu nebo čištění sekačky na trávu dávejte pozor, aby všechny vypínače byly vypnuté a byl odpojen akumulátor. Neúmyslné spuštění sekačky na trávu může způsobit vážné zranění.

TYTO POKYNY USCHOVEJTE.

VAROVÁNÍ: NEDOVOLTE, aby pohodlnost nebo pocit znalosti výrobku (získaný na základě předchozího použití) vedl k zanedbání dodržování bezpečnostních pravidel platných pro tento výrobek.

NESPRÁVNÉ POUŽÍVÁNÍ či nedodržení bezpečnostních pravidel uvedených v tomto návodu k obsluze může způsobit vážné zranění.

VAROVÁNÍ: Přečtěte si veškerá bezpečnostní upozornění a všechny pokyny. Zanedbání upozornění a pokynů může mít za následek úraz elektrickým proudem, vznik požáru nebo vážné zranění.

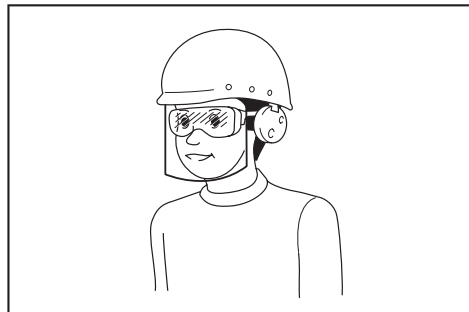
Všechna upozornění a pokyny si uschovejte pro budoucí potřebu.

Školení

1. Pečlivě si přečtěte pokyny. Seznamte se řádně s ovládacími prvky a správným způsobem použití sekačky.
2. Nikdy nedovolte, aby sekačku obsluhovaly děti nebo osoby neobeznámené s těmito pokyny. Věk obsluhy může být omezen místními předpisy.
3. Se sekačkou nikdy nepracujte v blízkosti osob, zvláště pak dětí, ani domácích zvířat.
4. Pamatujte, že za nehody nebo ohrožení jiných osob a jejich majetku odpovídá obsluha či uživatel.
5. Děti musí být pod dohledem, aby si se sekačkou nehrály.
6. Fyzický stav: Se sekačkou nepracujte pod vlivem omamných látek, alkoholu či léků.

Příprava

1. Při obsluze sekačky vždy noste pevnou obuv a dlouhé kalhoty. Se sekačkou nepracujte naboso ani v otevřené obuvi. Nenoste volný oděv a šperky ani oděv či šperky s visícími třásněmi či šňůrkami. Mohlo by dojít k zachycení pohyblivými díly.
2. Před použitím vždy sekačku zkontrolujte, zda není poškozena, případně zda nechýbí či nejsou poškozeny kryty a štíty.
3. Před sekáním se ujistěte, že se v oblasti nepohybují žádné osoby. Jestliže do pracovní oblasti někdo vstoupí, sekačku vypněte.
4. Do sekačky nevkládejte blokovací klíč, dokud nebude připravena k použití.
5. Při používání elektrického nářadí vždy noste ochranné brýle určené k ochraně zraku. Ochranné brýle musí splňovat požadavky normy ANSI Z87.1 v USA, EN 166 v Evropě nebo AS/NZS 1336 v Austrálii a na Novém Zélandu. V Austrálii a na Novém Zélandu je dle zákona též nutné nosit obličejový štít chránící obličej.



Za vynucení používání vhodných ochranných pracovních prostředků obsluhou nářadí či jinými osobami v bezprostřední blízkosti pracoviště odpovídá zaměstnavatel.

6. Před zahájením provozu pečlivě zkontrolujte nože nebo šrouby nožů, zda nevykazují známky trhlin nebo poškození. Popraskané nebo poškozené nože nebo šrouby nožů okamžitě vyměňte.
7. Před sekáním odstraňte z terénu cizorodé předměty, jako jsou kameny, dráty, lahve, kosti a větší klacky, abyste zamezili zranění osob či poškození sekačky.
8. Předměty odmrštěné nožem sekačky mohou způsobit vážná zranění. Před každým sekáním je vždy třeba trávník pečlivě prohlédnout a odstranit z něj veškeré předměty.
9. Dávejte pozor na díry, vyjeté stopy, hrboly, kameny nebo jiné těžko viditelné předměty. Nerovný terén může způsobit uklouznutí a pád. Vysoká tráva může skrývat překážky.
10. Používejte osobní ochranné prostředky. Vždy používejte ochranu zraku. Ochranné pracovní prostředky, jako je například respirátor, protiskluzová obuv, ochranná přilba nebo ochrana sluchu, omezí při správném použití riziko zranění.

Obsluha

1. Nepřeceňujte vlastní schopnosti. Vždy udržujte rovnováhu. Při práci ve svahu vždy dávejte pozor, kam šlapete. Kráčejte – nikdy neběhejte.
2. Vypněte sekačku, vyjměte blokovací klíč a ujistěte se, že se všechny pohyblivé díly zcela zastavily:
 - kdykoli se od sekačky vzdálíte,
 - před odstraňováním překážek nebo při čištění ucpaného vyhazovacího kanálu,
 - před kontrolou, čištěním či prováděním prací na sekačce,
 - po nárazu na předmět. Sekačku zkontrolujte, zda není poškozená, a před opětovným spuštěním a obnovením práce proveďte opravu,
 - kdykoli začne sekačka neobvykle vibrovat.
3. Nikdy nepracujte se sekačkou s vadnými kryty či štíty nebo s chybějícími bezpečnostními prvky, například bez krytu vyhazovacího kanálu nebo bez koše na trávu.
4. Se sekačkou nepracujte za nepříznivého počasí, zvláště existuje-li nebezpečí bouřek.
5. Při každé práci se sekačkou používejte ochranu zraku a pevnou obuv.
6. Se sekačkou pracujte pouze za denního světla nebo při dostatečném umělém osvětlení.
7. Sekačku startujte opatrně podle pokynů a s nohama v dostatečné vzdálenosti od nože (nožů).
8. Dejte pozor, abyste si o sekací nože neporanili ruce a nohy.
9. Zajistěte, aby ventilační otvory zůstaly vždy průchodné a neucpané.
10. Sekajte po vrstevnicích svahu, nikdy nahoru a dolů. Při změně směru ve svahu buďte mimořádně opatrní. Nesekejte v příliš strmých svazích.
11. Při couvání či tahání sekačky směrem k sobě buďte mimořádně opatrní.
12. Při nutnosti naklonění sekačky z důvodu přeježdění jiných než travnatých ploch a při transportu sekačky na pracoviště a z pracoviště vypněte pohon nože (nožů).
13. Při zapínání motoru sekačku nenaklánějte s výjimkou případu, kdy je naklonění sekačky pro spouštění nutné. V takové situaci sekačku nenaklánějte více, než je nezbytně nutné, a nadzvedněte pouze část směrem od obsluhy. Ujistěte se, že před vrácením sekačky na zem jsou obě ruce v provozní poloze.
14. Ruce ani nohy nepřibližujte do blízkosti rotujících dílů nebo pod ně. Vždy se držte mimo dosah vyhazovacího kanálu.
15. Sekačku netransportujte, pokud je spuštěná.
16. Se sekačkou nepracujte v mokré trávě.
17. Držadlo držte vždy pevně.
18. Při zvedání či přidržování sekačku nikdy nedržte za odkryté části sekacího nože či jeho ostří.
19. Nepřibližujte ruce ani nohy k rotujícím nožům. Varování: Nože po vypnutí sekačky dobíhají.
20. Pokud si během provozu povšimnete něčeho neobvyklého, okamžitě přerušete práci. Vypněte sekačku a vyjměte blokovací klíč. Poté sekačku prohlédněte.
21. Nikdy neseřizujte výšku sečení, je-li sekačka v provozu, pokud je sekačka vybavena funkcí seřízení výšky sečení.
22. Před přeježděním příjezdových cest, chodníků, silnic či šterkem pokrytých ploch uvolněte spínací páčku a počkejte, až se rotující nůž zastaví. Nezapomeňte také vytáhnout blokovací klíč vždy, když se od sekačky vzdálíte kvůli zvednutí či odstranění překážky nebo kvůli jakémukoli jinému důvodu, jež by mohl odvádět vaši pozornost od práce.
23. Jestliže sekačka narazí na předmět, postupujte následovně:
 - Vypněte sekačku, uvolněte spínací páčku a vyčkejte, až se nůž zcela zastaví.
 - Vytáhněte blokovací klíč a akumulátor.
 - Sekačku důkladně prohlédněte, zda není poškozená.
 - Pokud došlo k jakémukoli poškození nože, vyměňte jej. Před opětovným spuštěním a pokračováním v práci opravte poškozené části sekačky.
24. Sekačku nespouštějte, jestliže stojíte před otvorem vyhazovacího kanálu.
25. Jestliže sekačka začne neobvykle vibrovat (provedte okamžitou kontrolu):
 - zkontrolujte, zda nedošlo k poškození,
 - vyměňte nebo opravte všechny poškozené díly,
 - zkontrolujte a dotáhněte všechny uvolněné díly.
26. Materiál vycházející ze sekačky nesmí směřovat na osoby. Materiál vycházející ze sekačky nesmí být nasměrován proti zdi nebo jiným překážkám. Mohlo by dojít k odrazu materiálu směrem k obsluze. Při přeježdění šterkovitých povrchů je nutné sekací nůž vypnout.
27. Netahejte sekačku směrem dozadu/k sobě, není-li to nezbytně nutné. Musíte-li se sekačkou couvat směrem od plotu nebo jiné překážky, nejprve se podívejte dolů a za sebe.
28. Vypněte motor a počkejte, dokud se nůž úplně nezastaví. Teprve poté odeberte zachycovač trávy. Dávejte pozor, protože nože po vypnutí stále ještě volně dobíhají.

29. Při používání stroje v blátivém terénu, na mokřím svahu nebo na kluzkém povrchu dbejte na to, abyste stáli pevně.
30. Stroj neponořujte do kaluže.
31. Při práci se strojem dávejte pozor na potrubí a elektrická vedení.

Údržba a skladování

1. V rámci zajištění bezpečnosti vyměňte opotřeбенé nebo poškozené díly. Používejte pouze originální náhradní díly a příslušenství.
2. Sekačka pravidelně kontrolujte a provádějte pravidelnou údržbu.
3. Není-li sekačka používána, musí být uchována mimo dosah dětí.
4. Všechny matice, šrouby a vruty udržujte dotažené, abyste zajistili bezpečný provoz sekačky.
5. Často kontrolujte koš na trávu, zda není opotřeбенý či poškozený. Před uložením sekačky se vždy ujistěte, zda je koš na trávu vyprázdňený. Opotřeбенý koš na trávu nahraďte z důvodu bezpečnosti novým.
6. Používejte pouze originální nože určené výrobcem v této příručce.
7. Při seřizování sekačky dejte pozor, aby nedošlo k zachycení prstů mezi pohyblivými noži a pevnými částmi sekačky.
8. Pravidelně kontrolujte správné dotažení upevňovacího šroubu nože.
9. Před skladováním nechte sekačku vždy vychladnout.
10. Při údržbě nože dávejte pozor, neboť nůž se může pohybovat i přesto, že je zdroj napájení vypnutý.
11. Nikdy neodstraňujte ani neupravujte bezpečnostní prvky. Pravidelně kontrolujte jejich správnou funkci. Nedělejte nic, co by mohlo narušit zamýšlenou funkci bezpečnostního prvku nebo snížit úroveň ochrany, kterou poskytuje.
12. Nenechávejte stroj venku za deště bez dozoru.
13. Při skladování stroje se vyvarujte přímého slunečního svitu a deště a uložte jej na místo, které se nezahřívá ani nevlhne.

Práce s akumulátorovým nářadím a péče o něj

1. Nabíjení provádějte pouze pomocí nabíječky určené výrobcem. Nabíječka vhodná pro jeden typ akumulátoru může při použití s jiným akumulátorem vést ke vzniku nebezpečí požáru.
2. Elektrické nářadí používejte pouze s určenými akumulátory. Použití jiných akumulátorů může vyvolat nebezpečí zranění a požáru.
3. Pokud akumulátor nepoužíváte, udržujte jej mimo dosah jiných kovových předmětů, jako jsou kancelářské sponky, mince, klíče, hřebíky, šrouby nebo jiné malé kovové předměty, které mohou propojit svorky akumulátoru. Zkratování svorek akumulátoru může způsobit popáleniny nebo požár.
4. Při hrubém zacházení může z akumulátoru uniknout elektrolyt. Vyvarujte se styku s ním. Pokud dojde k náhodnému kontaktu, omyjte zasažené místo vodou. Pokud elektrolyt zasáhne oči, vyhledejte lékařskou pomoc. Elektrolyt uniklý z akumulátoru může způsobit podráždění nebo popálení pokožky.

5. Nepoužívejte poškozený nebo upravený akumulátor nebo nářadí. U poškozených nebo upravených akumulátorů může dojít k neočekávanému chování, které může mít za následek požár, výbuch nebo riziko poranění.
6. Akumulátor nebo nářadí nevystavujte ohni nebo vysokým teplotám. Při vystavení žáru ohně nebo teplotám nad 130 °C může dojít k výbuchu.
7. Postupujte dle nabíjecích pokynů u akumulátoru nebo nářadí nenabíjejte mimo teplotní rozsah specifikovaný v pokynech. Nesprávné nabíjení při teplotách mimo stanovený rozsah může poškodit akumulátor a zvýšit riziko požáru.

Elektrická bezpečnost a bezpečnost akumulátorů

1. Akumulátor (akumulátory) nelikvidujte vzhazováním do ohně. Článek mohou vybuchnout. Při likvidaci postupujte podle místních předpisů, jež mohou zahrnovat zvláštní pokyny.
2. Akumulátory neotvírejte a nepoškozujte. Vypuštěný elektrolyt je žíravý a může způsobit poranění očí nebo pokožky. Při spolknutí může být jedovatý.
3. Nenabíjejte baterii v dešti nebo na mokřích místech.
4. Nenabíjejte akumulátor venku.
5. S nabíječkou, včetně zástrčky nabíječky a svorek, nemanipulujte mokřými rukama.
6. Nevyměňujte akumulátor v dešti.
7. Svorku akumulátoru nevlhčete tekutinou, jako je voda, ani akumulátor neponořujte. Nenechávejte akumulátor na dešti ani ho nenabíjejte, nevyměňujte, nepoužívejte ani neskladujte na vlhkém či mokřím místě. Pokud svorka navlhne nebo se do akumulátoru dostane kapalina, může dojít ke zkratu, a tedy k přehřátí, požáru nebo výbuchu.
8. Po vyjmutí akumulátoru ze stroje či nabíječky zajistěte jeho upevnění do krytu akumulátorů a uložte v suchu.
9. Nevýjímejte akumulátor mokřými rukama.
10. Nepracujte v nebezpečném prostředí. Stroj nepoužívejte na vlhkých či mokřích místech ani jej nevystavujte dešti. Vnikne-li do stroje voda, zvýší se nebezpečí úrazu elektrickým proudem.
11. Pokud se akumulátor namočí, vylijte z něj vodu a následně jej usušte suchým hadříkem. Před použitím akumulátor zcela vysušte na suchém místě.

Servis

1. Vaše elektrické nářadí si nechávejte opravovat kvalifikovaným pracovníkem s použitím výhradně identických náhradních dílů. Tím zajistíte zachování bezpečnosti elektrického nářadí.
2. Akumulátory nikdy sami nespravujte. Opravy akumulátorů smí provádět pouze výrobce nebo autorizovaná servisní střediska.

TYTO POKYNY USCHOVEJTE.

VAROVÁNÍ: NEDOVOLTE, aby pohodlnost nebo pocit znalosti výrobku (získaný na základě předchozího použití) vedl k zanedbání dodržování bezpečnostních pravidel platných pro tento výrobek.

NESPRÁVNÉ POUŽÍVÁNÍ či nedodržení bezpečnostních pravidel uvedených v tomto návodu k obsluze může způsobit vážné zranění.

Důležitá bezpečnostní upozornění pro akumulátor

1. Před použitím akumulátoru si přečtěte všechny pokyny a varovné symboly na (1) nabíječce, (2) akumulátoru a (3) výrobku využitím akumulátor.
2. Nerozebírejte akumulátor ani do něj nijak nezasažujte. Může dojít k požáru, nadměrnému zahřátí nebo výbuchu.
3. Pokud se přilíš zkrátí provozní doba akumulátoru, přerušte okamžitě práci. V opačném případě existuje riziko přehřívání, popálení nebo dokonce výbuchu.
4. Budou-li vaše oči zasaženy elektrolytem, vypláchněte je čistou vodou a okamžitě vyhledejte lékařskou pomoc. Může dojít ke ztrátě zraku.
5. Akumulátor nezkratujte:
 - (1) Nedotýkejte se svorek žádným vodivým materiálem.
 - (2) Neskladujte akumulátor v nádobě s jinými kovovými předměty, jako jsou hřebíky, mince, apod.
 - (3) Nevystavujte akumulátor vodě a dešti.Zkrat akumulátoru může způsobit velký průtok proudu, přehřátí, možné popálení a dokonce i poruchu.
6. Neskladujte a nepoužívejte nářadí a akumulátor na místech, kde může teplota překročit 50 °C (122 °F).
7. Nespalujte akumulátor, ani když je vážně poškozen nebo úplně opotřeben. Akumulátor může v ohni vybuchnout.
8. Akumulátor nesmí být proražen hřebíkem, řezán, drcen, házen či upuštěn na zem, ani nesmí dojít k nárazu tvrdého předmětu do něj. Taková situace může způsobit požár, nadměrné zahřátí či výbuch.
9. Nepoužívejte poškozené akumulátory.
10. Obsažené lithium-iontové akumulátory podléhají právním požadavkům na nebezpečné zboží.

V případě komerční přepravy například externími dopravci je třeba dodržet zvláštní požadavky na balení a značení.

Pro přípravu zboží k přepravě je nutná konzultace s odborníkem na nebezpečný materiál. Držujte také případné podrobnější národní předpisy. Odkryté kontakty přelepte izolační páskou či jinak zakryjte a akumulátory zabalte tak, aby se v balení nemohly pohybovat.
11. Při likvidaci akumulátoru jej vyjměte z nářadí a zlikvidujte jej na bezpečném místě. Při likvidaci akumulátoru postupujte podle místních předpisů.
12. Akumulátor používejte pouze s výrobky specifikovanými společností Makita. Instalace akumulátoru do nevyhovujících výrobků může způsobit požár, nadměrné zahřívání, explozi nebo únik elektrolytu.
13. Pokud nářadí delší dobu nepoužíváte, je nutné z něj akumulátor vyjmout.

14. Během a po použití se může akumulátor zahřát, což může způsobit popáleniny nebo podráždění. Při manipulaci s horkými akumulátory dávejte pozor.
15. Nedotýkejte se koncovky na nářadí ihned po použití, protože ta může být horká a způsobit popáleniny.
16. Do koncovek, otvorů a zdiřek na akumulátoru se nesmí dostat piliny, prach nebo jiné nečistoty. To může způsobit zahřátí, vznícení, prasknutí a poruchu nářadí nebo akumulátoru, což může vést k popáleninám nebo zranění osob.
17. Jestliže nářadí není zkonstruováno tak, že jej lze používat v blízkosti vysokého elektrického napětí, nepoužívejte akumulátor poblíž vedení s vysokým elektrickým napětím. Mohlo by tím dojít k poruše či selhání nářadí či akumulátoru.
18. Akumulátor uchovávejte mimo dosah dětí.

TYTO POKYNY USCHOVEJTE.

▲UPOZORNĚNÍ: Používejte pouze originální akumulátory Makita. Používání neoriginálních nebo upravených akumulátorů může způsobit explozi akumulátoru a následný požár, zranění a jiné poškození. Zaniká tím také záruka společnosti Makita na nářadí a nabíječku Makita.

Typy k zajištění maximální životnosti akumulátoru

1. Akumulátor nabíjte dříve, než dojde k jeho úplnému vybití. Pokud si povšimnete sníženého výkonu nářadí, vždy jej zastavte a dobijte akumulátor.
2. Nikdy nenabíjete úplně nabitý akumulátor. Přebíjení zkracuje životnost akumulátoru.
3. Akumulátor dobíjete při pokojové teplotě od 10 °C do 40 °C (50 °F až 104 °F). Před nabíjením nechte horký akumulátor zchladnout.
4. Když není akumulátor používán, vyjměte ho z nářadí či nabíječky.
5. Pokud se akumulátor delší dobu nepoužívá (déle než šest měsíců), je nutno jej dobít.

SESTAVENÍ

▲VAROVÁNÍ: Před prováděním jakýchkoli prací na sekačce se vždy ujistěte, že je vytažen blokovací klíč a akumulátor. Jestliže blokovací klíč a akumulátor nevyjmete, může v případě náhodného spuštění dojít k vážnému zranění.

▲VAROVÁNÍ: Není-li sekačka zcela sestavena, nikdy ji nespouštějte. Při práci s nekompletně sestaveným strojem může po náhodném spuštění dojít k vážnému zranění.

Montáž držadla

POZOR: Při montáži držadel dbejte na to, aby nedošlo ke skřípnutí kabelu mezi držadly. Pokud je kabel poškozený, může se stát, že spínač nebude funkční.

1. Srovnejte otvor na dolním držadle s otvorem na horním držadle, pak vložte šroub zvenčí a utáhněte matici pro utahování prsty zevnitř. Postup opakujte na druhé straně.

Pro modely DLM481/DLM539

► **Obr.1:** 1. Šroub 2. Matice pro utahování prsty
3. Dolní držadlo 4. Horní držadlo

Pro modely DLM480/DLM538

► **Obr.2:** 1. Šroub 2. Matice pro utahování prsty
3. Dolní držadlo 4. Horní držadlo

2. Zajišťovací kolík uvolníte otočením knoflíku o 90° a současným tažením knoflíku na dolním držadle. Postup opakujte na druhé straně. Zvedněte držadlo a pak otočte knoflík na obou stranách o 90°. Dbejte na to, aby byly knoflíky pevně dotaženy.

► **Obr.3:** 1. Knoflík

POZNÁMKA: Podepřením držadla usnadníte uvolnění zajišťovacího kolíku při tažení knoflíku.

Odpojení mulčovacího nástavce

1. Otevřete zadní kryt.

► **Obr.4:** 1. Zadní kryt

2. Lehce zvedněte mulčovací nástavec a pak jej vyjměte.

► **Obr.5:** 1. Mulčovací nástavec

Montáž koše na trávu

1. Zvedněte horní sponu koše na trávu.

► **Obr.6:** 1. Horní spona

2. Zasuňte rám co nejdále do koše na trávu za současného držení držadla rámu.

► **Obr.7:** 1. Držadlo

POZOR: Držadlo nezasouvejte do koše na trávu. Nezapomeňte zasunout rám podél prošívané koše na trávu.

3. Ujistěte se, že na rozích koše na trávu nedochází k prověšení.

► **Obr.8**

4. Rozepněte horní sponu a připevněte ji k rámu.

► **Obr.9**

5. Připevněte všechny ostatní spony podle obrázku. Ujistěte se, že jsou všechny spony bezpečně připevněné k rámu.

► **Obr.10:** 1. Spona

Nasazení a vyjmutí koše na trávu

Chcete-li nasadit koš na trávu, postupujte podle kroků níže.

1. Otevřete zadní kryt.

► **Obr.11:** 1. Zadní kryt

2. Koš na trávu chytněte za rukojeť a zahákněte jej do tyče na těle sekačky podle obrázku.

► **Obr.12:** 1. Koš na trávu 2. Držadlo 3. Tyč

Chcete-li vyjmout koš na trávu, otevřete zadní kryt a koš na trávu vytáhněte za rukojeť.

Připojení mulčovacího nástavce

1. Otevřete zadní kryt a poté vyjměte koš na trávu.

► **Obr.13:** 1. Zadní kryt 2. Koš na trávu

2. Připevněte mulčovací nástavec jeho zatlačením až na doraz tak, aby výstupky na mulčovacím nástavci zapadly do otvorů na stroji.

► **Obr.14:** 1. Mulčovací nástavec 2. Výstupek

POPIS FUNKCÍ

Nasazení a sejmutí akumulátoru

⚠️ UPOZORNĚNÍ: Před instalací nebo vyjmutím akumulátoru vždy vypněte zařízení.

⚠️ UPOZORNĚNÍ: Při nasazování či vyjímání akumulátoru pevně držte stroj i akumulátor. V opačném případě vám může zařízení nebo akumulátor vyklouznout z rukou a mohlo by dojít k jejich poškození či ke zranění.

⚠️ UPOZORNĚNÍ: Před použitím se ujistěte, že je kryt akumulátoru zajištěn. Jinak by mohlo dojít ke znečištění hlinou, nečistotami či vodou a následnému poškození výrobku nebo akumulátoru.

⚠️ UPOZORNĚNÍ: Akumulátor zasunujte vždy zcela tak, aby nebyl vidět červený indikátor. Pokud tak neučiníte, může ze stroje náhodně vypadnout, čímž může vám nebo osobám ve vašem okolí způsobit zranění.

⚠️ UPOZORNĚNÍ: Akumulátor nenasazujte násilím. Nelze-li akumulátor zasunout snadno, nevkládáte jej správně.

⚠️ UPOZORNĚNÍ: Při nasazování či vyjímání akumulátoru pevně držte kryt akumulátoru.

POZNÁMKA: Stroj jen s jedním nasazeným akumulátorem nepracuje.

Instalace akumulátoru:

1. Vytáhněte zajišťovací páčku a pak otevřete kryt akumulátoru.

► **Obr.15:** 1. Kryt akumulátoru 2. Pojistná páčka

2. Vyrovnějte jazýček na akumulátoru s drážkou ve stroji a poté zasuňte akumulátor tak, aby se slabým cvaknutím zapadl na místo.

► **Obr.16:** 1. Akumulátor

3. Do místa zobrazeného na obrázku zasuňte až na doraz blokovací klíč.

► **Obr.17:** 1. Blokovací klíč

4. Zavřete kryt akumulátoru a zatlačte jej na místo, až se zajistí zajišťovací páčkou.

Vyjmutí akumulátoru

1. Vytáhněte zajišťovací páčku a otevřete kryt akumulátoru.

2. Vytáhněte akumulátor ze stroje a současně posuňte tlačítko na přední straně akumulátoru.

3. Vytáhněte blokovací klíč.

4. Zavřete kryt akumulátoru.

System ochrany stroje a akumulátoru

Stroj je vybaven systémem ochrany stroje a akumulátoru. Tento systém automaticky přeruší napájení motoru, aby se prodloužila životnost stroje a akumulátoru. Budou-li zařízení nebo akumulátor vystaveny některé z níže uvedených podmínek, zařízení se během provozu automaticky vypne:

Ochrana proti přetížení

Pokud se s akumulátorem pracuje způsobem vyvolávajícím mimořádně vysoký odběr proudu, stroj se automaticky vypne a hlavní kontrolka napájení se rozblíká zeleně. V takové situaci stroj vypněte a ukončete činnost, při níž došlo k přetížení zařízení. Potom stroj zapněte a obnovte činnost.

Ochrana proti přehřátí

Při přehřátí stroje či akumulátoru se stroj automaticky vypne a hlavní kontrolka napájení se rozsvítí červeně. V takovém případě nechte stroj a akumulátor před opětovným zapnutím vychladnout.

Ochrana proti přílišnému vybití

Není-li kapacita akumulátoru dostatečná, stroj se automaticky zastaví a hlavní kontrolka napájení se rozblíká červeně. V tom případě akumulátor vyjměte ze stroje a nabijte ho nebo akumulátory vyměňte za plně nabitě.

Ochrana proti jiným příčinám

Ochranný systém je také navržen i pro jiné příčiny, které by mohly stroj poškodit, a umožňuje automatické zastavení stroje. Když se stroj dočasně pozastaví nebo přestane pracovat, proveďte veškeré kroky k odstranění příčin.

1. Restartujte stroj jeho vypnutím a opětovným zapnutím.
2. Nabijte akumulátor(y) nebo jej (je) vyměňte za nabitý (nabitě).
3. Nechte stroj a akumulátor(y) vychladnout.

Pokud se obnovou systému ochrany nedosáhne žádného zlepšení, obraťte se na místní servisní středisko společnosti Makita.

POZOR: Jestliže se stroj zastaví z příčiny, která není popsána výše, přečtěte si část o řešení potíží.

Indikace zbývající kapacity akumulátoru

► **Obr.18:** 1. Kontrolka akumulátoru








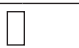

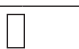









Při nízké zbývající kapacitě akumulátoru začne kontrolka na příslušné straně blikat. V případě dalšího používání se stroj zastaví a kontrolka akumulátoru se rozsvítí. V takovém případě dobijte akumulátor.

Indikace zbývající kapacity akumulátoru

Pouze pro akumulátory s diodovým ukazatelem

► **Obr.19:** 1. Kontrolky 2. Tlačítko kontroly

Stisknutím tlačítka kontroly na akumulátoru zjistíte zbývající kapacitu akumulátoru. Kontrolky indikátoru se na několik sekund rozsvítí.

Kontrolky			Zbývající kapacita
 Svítí	 Nesvítí	 Bliká	
			75 % až 100 %
			50 % až 75 %
			25 % až 50 %
			0 % až 25 %
			0 % až 25 %
			Nabijte akumulátor.
			Došlo pravděpodobně k poruše akumulátoru.
			

POZNÁMKA: Kapacita udávaná indikátorem se může mírně lišit od skutečné kapacity v závislosti na podmínkách používání a teplotě prostředí.

POZNÁMKA: První kontrolka (zcela vlevo) bude blikat, když je systém ochrany akumulátoru v provozu.

Hlavní spínač napájení

VAROVÁNÍ: Pokud nářadí nepoužíváte, vždy vypněte hlavní spínač napájení.

► **Obr.20:** 1. Hlavní kontrolka napájení 2. Hlavní spínač napájení

Jestliže chcete stroj zapnout, stiskněte hlavní vypínač. Hlavní kontrolka napájení se rozsvítí zeleně. Jestliže chcete stroj vypnout, stiskněte znovu hlavní vypínač.

POZNÁMKA: Jestliže se hlavní kontrolka napájení rozsvítí červeně nebo bliká červeně či zeleně, přečtěte si pokyny k systému ochrany stroje/akumulátoru.

POZNÁMKA: Tento stroj je vybaven funkcí automatického vypínání. Jako prevence neúmyslného spuštění se hlavní spínač napájení automaticky vypíná, pokud do určité doby po jeho zapnutí není stisknuta spínací ani hnací páčka (je-li namontována).

Používání pouště

VAROVÁNÍ: Před nasazením akumulátoru vždy zkontrolujte, zda spínací páčka startuje správně a zda se po uvolnění vrátí do původní polohy. Práce se strojem bez správně fungujícího spínače může vést ke ztrátě kontroly a vážnému zranění.

POZNÁMKA: Bez stisknutí spínacího tlačítka se sekačka nespustí ani při zatažení za spínací páčku.

POZNÁMKA: Sekačka se nemusí z důvodu přetížení spustit, když se pokoušíte sekat vysokou nebo hustou travu. V takovém případě zvyšte výšku sečení.

Sekačka je vybavena blokovacím klíčem a držadlovým spínačem. Jestliže se vám na blokovacím klíči nebo spínací bude zdát něco neobvyklého, okamžitě přerušete práci a nechte díly zkontrolovat v nejbližším autorizovaném servisním středisku Makita.

Pro modely DLM481/DLM539

1. Nasadíte akumulátory. Vložte blokovací klíč a následně zavřete kryt akumulátoru.
2. Stiskněte hlavní vypínač.
3. Stiskněte a podržte spínací tlačítko a současně k sobě přitáhnete spínací páčku. Hned po spuštění motoru spínací tlačítko uvolněte.

► **Obr.21:** 1. Spínací tlačítko 2. Spínací páčka

4. Držte spínací páčku, zatlačte na hnací páčku směrem od sebe a jejím přidržením pohánějte zadní kolečka.

► **Obr.22:** 1. Hnací páčka

POZNÁMKA: Pohon zadních koleček můžete spustit zatlačením na hnací páčku směrem od sebe a podržením, aniž byste zatáhli za spínací páčku.

5. Stroj zastavíte uvolněním hnací a spínací páčky.

Pro modely DLM480/DLM538

1. Nasadíte akumulátory. Vložte blokovací klíč a následně zavřete kryt akumulátoru.
2. Stiskněte hlavní vypínač.
3. Stiskněte a podržte spínací tlačítko a současně k sobě přitáhnete spínací páčku. Hned po spuštění motoru spínací tlačítko uvolněte.

► **Obr.23:** 1. Spínací tlačítko 2. Spínací páčka

4. Chcete-li motor vypnout, uvolněte spínací páčku.

Nastavení výšky sečení

VAROVÁNÍ: Při nastavování výšky sečení nikdy nevkládejte ruce či nohy pod sekačku.

VAROVÁNÍ: Před zahájením práce se vždy ujistěte, zda páčka správně dosedla do příslušné drážky.

Výšku sečení lze nastavit v rozmezí od 20 mm do 100 mm.

Vyjměte blokovací klíč a vytáhněte páčku nastavení výšky sečení směrem ven od sekačky a přesuňte ji do požadované úrovně výšky sečení.

► **Obr.24:** 1. Páčka nastavení výšky sečení

V následující tabulce je zobrazen vztah mezi číslem na těle sekačky a přibližnou výškou sečení.

Číslo	Výška sečení
1	20 mm
2	26 mm
3	32 mm
4	40 mm
5	49 mm
6	59 mm
7	70 mm
8	81 mm
9	92 mm
10	100 mm

Podržte dolní držadlo jednou rukou a poté posuňte seřizovací páčku druhou rukou.

► **Obr.25:** 1. Páčka nastavení výšky sečení 2. Dolní držadlo

POZNÁMKA: Obrázky s výškou sečení používejte pouze jako vodítko. Skutečná výška trávníku se může mírně lišit od nastavené výšky v závislosti na stavu trávníku a půdy.

POZNÁMKA: K dosažení požadované výšky vyzkoušejte sečení na odlehlejší ploše.

Indikátor úrovně trávy

Indikátor úrovně trávy udává objem posekané trávy. Dokud není koš na travu naplněný, otáčení nožů ukazatel nadnáší.

► **Obr.26:** 1. Indikátor úrovně trávy

Jakmile je koš na travu téměř naplněný, otáčení nožů přestane ukazatel nadnášet. V takovém případě ihned přestaňte s prací a koš vyprázdněte.

► **Obr.27:** 1. Indikátor úrovně trávy

POZNÁMKA: Indikátor je jen hrubým ukazatelem. V závislosti na podmínkách uvnitř koše nemusí indikátor fungovat správně.

Nastavení výšky rukojetí

Výšku držadla lze upravit ve dvou úrovních.

1. Pokud chcete zajišťovací kolík uvolnit, držte dolní držadlo a pak otočte knoflík o 90° při současném tažení knoflíku na dolním držadle. Postup opakujte na druhé straně.

► **Obr.28:** 1. Dolní držadlo 2. Knoflík

POZNÁMKA: Podepřením držadla usnadníte uvolnění zajišťovacího kolíku při tažení knoflíku.

2. Upravte výšku držadla a pak otočte knoflík na obou stranách o 90°. Dbejte na to, aby byly knoflíky pevně dotaženy.

► **Obr.29:** 1. Knoflík

Nastavení rychlosti jezdů

Pro modely DLM481/DLM539

► **Obr.30:** 1. Rychlostní páčka

Rychlost jezdů lze nastavit rychlostní páčkou.

Chcete-li rychlost snížit, přitáhnete páčku směrem k sobě a pro zvýšení rychlosti na ni zatlačíte směrem od sebe.

Použití mulčovacího nástavce

Mulčovací nástavec vám umožňuje vracet posekanou trávu zpět na zem, aniž by byla sbírána do koše na trávu. Když používáte stroj s mulčovacím nástavcem, nezapomeňte odpojit koš na trávu.

POZOR: Stroj s připojeným mulčovacím nástavcem používejte jen tehdy, když je výška trávy po sekání 30 mm nebo více, a případně délka sekání 15 mm nebo méně.

► Obr.31: (1) 30 mm nebo více (2) 15 mm nebo méně

Použití zadního výfuku

Použití zadního výfuku vám umožňuje vyfukovat posekanou trávu zpět na zem ze zadní části stroje, aniž by byla sbírána do koše na trávu.

Jestliže používáte zadní výfuk, nezapomeňte odstranit koš na trávu a mulčovací nástavec a také zavřít zadní kryt.

Elektronické funkce

Stroj je vybaven elektronickými funkcemi usnadňujícími provozování.

- Měkké spuštění pohonu
Funkce měkkého spuštění omezuje na minimum ráz při spuštění a umožňuje hladké spuštění stroje.
- Elektrická brzda
Tento stroj je vybaven elektrickou brzdou. Pokud se po uvolnění spínací páčky funkce rychlého zastavení sekacích nožů opakovaně neaktivuje, předejte stroj do autorizovaného servisního střediska Makita.

PRÁCE S NÁŘADÍM

Sekání

VAROVÁNÍ: Před sekáním odstraňte ze sekané plochy větve a kameny. Ze sekané plochy také předem odstraňte plevel.

VAROVÁNÍ: Při práci se sekačkou vždy noste ochranné brýle nebo bezpečnostní brýle s postranními kryty.

UPOZORNĚNÍ: Jestliže vnitřek sekačky blokuje posekaná tráva nebo cizí předmět, vytáhněte blokovací klíč a vyjměte akumulátor a před vyjímáním trávy nebo cizího předmětu si vezměte rukavice.

POZOR: Stroj používejte pouze k sekání trávy. Nepoužívejte stroj k vyžínání plevelu.

► Obr.32

Při sečení pevně držte držadlo oběma rukama. Doporučená rychlost sečení je přibližně 7 až 14 metrů za 10 sekund.

► Obr.33

POZNÁMKA: Pokud při sekání vysoké nebo husté trávy zjistíte po sekání nerovnosti v délce trávniku nebo špatnou povrchovou úpravu, nebo během sečení zjistíte snížení otáček motoru, snižte rychlost sečení pod hodnotu doporučenou v tomto návodu, nebo zvýšte výšku sečení.

Středové linky předních kol jsou vodítka pro šířku sečení. Řiďte se středovými linkami a sekejte trávu po pruzích. Pro rovnoměrné sečení nechte pruhy překrývat o polovinu až třetinu.

► Obr.34: 1. Šířka sekání 2. Oblast překrytí 3. Středová linka

Aby nedocházelo k vytváření vzorců na trávniku, měňte pokaždé směr sekání.

► Obr.35

Často kontrolujte množství posekané trávy v koši na trávu. Koš na trávu vyprázdněte, než se zcela zaplní. Před prováděním pravidelné kontroly vypněte sekačku, vytáhněte blokovací klíč a vyjměte akumulátor.

POZOR: Používání sekačky se zaplněným košem na trávu zamezuje plynulému otáčení nože a vystavuje motor nadměrnému zatížení, jež může vyvolat poruchu.

Sekání vysoké trávy

Vysokou trávu se nepokoušejte sekat najednou. Místo toho sekejte trávu po krocích. Mezi sekáními ponechte den nebo dva, dokud není tráva rovnoměrně krátká.

► Obr.36

POZNÁMKA: Posekání vysoké trávy na nízkou výšku najednou může způsobit odumření trávy. Posečená tráva se také může uvnitř hlavní jednotky zablokovat.

POZNÁMKA: Pokud po sečení zjistíte nerovnosti v délce trávniku nebo špatnou povrchovou úpravu, nebo během sečení zjistíte snížení otáček motoru, snižte rychlost sečení nebo zvýšte výšku sečení.

Vyprázdnění koše na trávu

VAROVÁNÍ: V rámci zamezení nebezpečí nehody koš na trávu pravidelně kontrolujte, zda není poškozený či zeslabený. V případě potřeby koš na trávu vyměňte.

1. Uvolněte spínací a hnací páčku (pro typ DLM481/DLM539) nebo pouze spínací páčku (pro typ DLM480/DLM538).

2. Vytáhněte blokovací klíč.

3. Otevřete zadní kryt a koš na trávu vytáhněte za rukojeť.

► Obr.37: 1. Zadní kryt 2. Držadlo 3. Koš na trávu

4. Koš na trávu vyprázdněte.

ÚDRŽBA

VAROVÁNÍ: Před uskladněním, přenášením či prováděním kontroly či údržby sekačky se vždy ujistěte, zda je ze sekačky vytažen blokovací klíč a akumulátor.

VAROVÁNÍ: Pokud sekačku nepoužíváte, vždy vytáhněte blokovací klíč. Blokovací klíč uložte na bezpečné místo mimo dosah dětí.

VAROVÁNÍ: Při provádění kontroly či údržby použijte ochranné rukavice.

VAROVÁNÍ: Při kontrole nebo údržbě sekačky vždy noste ochranné brýle nebo bezpečnostní brýle s postranními kryty.

POZOR: Nikdy nepoužívejte benzín, benzen, ředidlo, alkohol či podobné prostředky. Mohlo by tak dojít ke změnám barvy, deformacím či vzniku prasklin.

K zachování BEZPEČNOSTI a SPOLEHLIVOSTI výrobku musí být opravy a veškerá další údržba či seřizování prováděny autorizovanými nebo továrními servisními středisky společnosti Makita s využitím náhradních dílů Makita.

Údržba

1. Vyjměte blokovací klíč a akumulátory a pak zavřete kryt akumulátoru.
2. Položte sekačku na bok. Zpod krytu sekačky odstraňte nahromaděné kousky trávy.
3. Lijte vodu směrem ke spodní části stroje, k níž je upevněn nůž.

POZOR: Stroj nemyjte vodou pod tlakem.

4. Zkontrolujte správné dotažení všech matic, šroubů, vrutů atd.
5. Zkontrolujte pohyblivé díly, zda nejsou poškozené, rozbité či opotřebené. Poškozené nebo chybějící díly je nutné opravit nebo vyměnit.
6. Sekačku uskladněte na bezpečném místě mimo dosah dětí.

Pro modely DLM481/DLM539

POZOR: Zabraňte vniknutí vody do oblasti vyznačené na obrázku. Vniknutí vody do pohonné jednotky může způsobit poruchu stroje.

► Obr.38: 1. Oblasti, kam by neměla vniknout voda

Pro modely DLM481/DLM539

POZOR: Zabraňte vniknutí vody do stroje, když je stroj ve svislé poloze dle obrázku. Pokud je stroj ve svislé poloze, může voda vniknout do motoru a způsobit poruchu stroje.

► Obr.39

Přenášení sekačky

UPOZORNĚNÍ: Před přenášením sekačky se ujistěte, že je vyjmut akumulátor a blokovací klíč.

Při přenášení sekačky je třeba, aby zadní rukojeť a spodní přídržovací část v přední části stroje přídržovaly dvě osoby, jak je znázorněno na obrázku.

► Obr.40: 1. Spodní přídržovací část 2. Zadní rukojeť

Skladování

UPOZORNĚNÍ: Pokud stroj dáváte do svislé polohy, položte jej na rovný a stabilní povrch. Pokud je stroj umístěn na nestabilním povrchu, může dojít k jeho převržení a zranění.

Sekačku skladujte pod střechou na chladném, suchém a uzamykatelném místě. Sekačku a nabíječku neskladujte v místech, kde může teplota překročit hodnotu 40 °C.

1. Vyjměte akumulátor a blokovací klíč.
 2. Zajišťovací kolík uvolníte otočením knoflíku o 90° a současným tažením knoflíku na dolním držadle. Postup opakujte na druhé straně a pak držadlo sklopte.
- Obr.41: 1. Knoflík

POZNÁMKA: Podepřením držadla usnadníte uvolnění zajišťovacího kolíku při tažení knoflíku.

3. Otočte knoflík na obou stranách o 90°. Dbejte na to, aby byly knoflíky pevně dotaženy.

Pro modely DLM481/DLM539

► Obr.42: 1. Knoflík

Pro modely DLM480/DLM538

► Obr.43: 1. Knoflík

POZOR: Při sklápění držadla si počínejte opatrně, abyste neskřípli kabely.

4. Povolte matice pro utahování prsty na obou stranách a pak sklopte horní držadlo dle obrázku.
- Obr.44: 1. Matice pro utahování prsty 2. Horní držadlo
5. Umístěte stroj do svislé polohy.

POZNÁMKA: Při ukládání sekačky do svislé polohy ji nedržte pouze za držadlo, držte tělo sekačky a držadlo.

6. Podle obrázku uložte koš na trávu.

► Obr.45: 1. Koš na trávu

► Obr.46: 1. Koš na trávu

Demontáž a instalace sekacího nože

VAROVÁNÍ: Nůž se po uvolnění spínače ještě několik sekund otáčí. Neprovádějte žádné úkony, dokud se nůž zcela nezastaví.

VAROVÁNÍ: Při demontáži či montáži nože vždy vytáhněte blokovací klíč a akumulátor. Jestliže blokovací klíč s akumulátorem nevyjmete, může dojít k vážnému zranění.

VAROVÁNÍ: Při manipulaci s nožem vždy používejte rukavice.

Demontáž sekacího nože

1. Sekačku položte na stranu, aby byla páčka nastavení výšky sečení přístupná ze spodní strany.
2. Rotaci nože zajistíte vsunutím kolíku do otvoru na těle sekačky až na doraz.
3. Pomocí trubkového klíče 17 otočte šroubem proti směru hodinových ručiček.
 - **Obr.47:** 1. Sekací nůž 2. Kolík 3. Trubkový klíč
4. Nejprve sejměte šroub a poté sekací nůž.
 - **Obr.48:** 1. Podpěra nože 2. Sekací nůž 3. Šroub 4. Výstupek

POZOR: Při montáži sekacího nože zajistěte, aby výstupky na podpěře nože zapadly do otvorů v sekacím noži.

Montáž sekacího nože

VAROVÁNÍ: Opatrně namontujte sekací nůž. Nůž má vrchní a spodní stranu.

VAROVÁNÍ: Pevným dotažením šroubu ve směru hodinových ručiček nůž zajistěte.

VAROVÁNÍ: Ujistěte se, že sekací nůž a všechny upevňovací díly jsou správně namontovány a upevněny.

VAROVÁNÍ: Při výměně nožů vždy postupujte podle pokynů uvedených v této příručce.

POZOR: Po montáži sekacího nože vyjměte kolík z těla sekačky.

Po montáži sekacích nožů postupujte podle pokynů demontáže v opačném pořadí.

ŘEŠENÍ POTÍŽÍ

Před žádostí o opravu proveďte nejprve prohlídku sami. Pokud narazíte na problém, který není popsán v návodu, nepokoušejte se stroj demontovat. Požádejte o pomoc některé z autorizovaných servisních středisek Makita, kde k opravám vždy používají náhradní díly Makita.

Problém	Pravděpodobná příčina (porucha)	Náprava
Sekačka se nespustí.	Nejsou nasazeny dva akumulátory.	Nasaďte oba nabitě akumulátory.
	Problém s akumulátorem (nízké napětí)	Nabijte akumulátor. Jestliže nabití nepomůže, vyměňte akumulátor.
	Není zasunut blokovací klíč.	Zasuňte blokovací klíč.
Motor se po krátké době provozu zastaví.	Akumulátor není dostatečně nabitý.	Nabijte akumulátor. Jestliže nabití nepomůže, vyměňte akumulátor.
	Výška sečení je nastavena příliš nízkou.	Nastavte větší výšku sečení.
	Sekačka je ucpaná posečenou trávou.	Odstraňte ze sekačky posečenou travu.
Motor nedosahuje maximálních otáček.	Akumulátor je nesprávně nasazen.	Nasaďte akumulátor podle popisu v této příručce.
	Poklesl výkon akumulátoru.	Nabijte akumulátor. Jestliže nabití nepomůže, vyměňte akumulátor.
	Systém pohonu nepracuje správně.	Předejte zařízení k opravě v místním autorizovaném servisním středisku.
Sekací nůž se neotáčí: ⇒ Sekačku ihned vypněte!	V blízkosti nože se vzpříčil cizorodý předmět, například větev.	Odstraňte cizorodý předmět.
	Systém pohonu nepracuje správně.	Předejte zařízení k opravě v místním autorizovaném servisním středisku.
Ne normální vibrace: ⇒ Sekačku ihned vypněte!	Nůž je nevyvážený, příliš opotřeбенý nebo nerovnoměrně opotřeбенý.	Vyměňte nůž.

VOLITELNÉ PŘÍSLUŠENSTVÍ

UPOZORNĚNÍ: Se strojem Makita popsaným v tomto návodu doporučujeme používat následující příslušenství a nástavce. Při použití jiného příslušenství či nástavců může hrozit nebezpečí zranění osob. Příslušenství lze používat pouze pro stanovené účely.

- Sekací nůž
- Originální akumulátor a nabíječka Makita

POZNÁMKA: Některé položky seznamu mohou být k produktu přibaleny jako standardní příslušenství. Přibalené příslušenství se může v různých zemích lišit.

Potřebujete-li bližší informace ohledně tohoto příslušenství, obraťte se na místní servisní středisko společnosti Makita.

ТЕХНІЧНІ ХАРАКТЕРИСТИКИ

Модель:	DLM480	DLM481	DLM538	DLM539
Ширина косіння (діаметр ріжучого полотна)	480 мм		534 мм	
Швидкість у режимі холостого ходу	3 100 хв ⁻¹	3 100 хв ⁻¹	3 000 хв ⁻¹	
Змінне ріжуче полотно газнокосарки, номер деталі	Пряме ріжуче полотно газнокосарки	191V97-3		191V96-5 / 191W87-2
	Лезо для мульчування	191Y64-6		191Y65-4
Розміри (Д × Ш × В)	під час роботи	Д: від 1 690 мм до 1 740 мм Ш: 530 мм В: від 930 мм до 1 060 мм	Д: від 1 810 мм до 1 870 мм Ш: 580 мм В: від 920 мм до 1 040 мм	
	у положенні для зберігання (без корзини для трави)	580 мм × 530 мм × 870 мм	610 мм × 580 мм × 925 мм	
Швидкість руху	–	2,5–5,0 км/год	–	2,5–5,0 км/год
Номінальна напруга	36 В пост. струму			
Маса нетто	24,5 – 26,8 кг	27,0 – 29,3 кг	25,5–28,0 кг	27,9–30,4 кг
Ступінь захисту	IPX4			

- Оскільки наша програма наукових досліджень і розробок триває безперервно, наведені тут технічні характеристики можуть бути змінені без попередження.
- У різних країнах технічні характеристики можуть бути різними.
- Вага може відрізнятись залежно від допоміжного обладнання, наприклад касети з акумулятором. Найлегші та найважчі комплекти, відповідно до стандарту ЕРТА (Європейська асоціація виробників електроінструменту) від січня 01/2014 року, представлено в таблиці.

Застосовна касета з акумулятором і зарядний пристрій

Касета з акумулятором	BL1815N / BL1820B / BL1830B / BL1840B / BL1850B / BL1860B
Зарядний пристрій	DC18RC / DC18RD / DC18RE / DC18SD / DC18SE / DC18SF / DC18SH / DC18WC

- Деякі касети з акумулятором і зарядні пристрої, які вказано вище, можуть бути недоступними залежно від вашого регіону або місця перебування.

▲ПОПЕРЕДЖЕННЯ: Використовуйте лише касети з акумулятором і зарядні пристрої, перелічені вище. Використання будь-яких інших касет з акумулятором і зарядних пристроїв може призвести до травми й/або пожежі.

▲ПОПЕРЕДЖЕННЯ: Не використовуйте із цією машиною дровове джерело електроживлення, наприклад адаптер акумулятора або портативний блок живлення. Кабель цього джерела електроживлення може перешкодити роботі й стати причиною травми.

СИМВОЛИ

Далі наведено символи, які можуть застосовуватися для позначення обладнання. Перед користуванням переконайтеся, що ви розумієте їхнє значення.



Будьте особливо уважні та обережні!



Читайте посібник з експлуатації.



Небезпечно! Пам'ятайте, що предмети можуть відскочити.



Відстань між інструментом і сторонніми особами повинна становити не менше 15 м.



У жодному разі не наближайте руки та ноги до ріжучого полотна газнокосарки під газнокосаркою. Після вимкнення двигуна ріжучі полотна газнокосарки продовжують обертатися.



Вийміть блокувальний ключ, перш ніж оглядати, налаштувати, чистити і проводити технічне обслуговування інструмента, а також у тому випадку, якщо потрібно залишити газнокосарку без нагляду на деякий час або поставити її на зберігання.



Попередження. Перед технічним обслуговуванням необхідно від'єднати акумулятор.



Електрична небезпека. Попадання води на машину може призвести до ураження електричним струмом.



Не допускайте потрапляння води на машину.



Тільки для країн ЄС
Через наявність в обладнанні небезпечних компонентів відходи електричного та електронного обладнання, акумулятори та батареї можуть негативно впливати на навколишнє середовище та здоров'я людини.
Не викидайте електричні та електронні прилади або батареї разом з побутовими відходами!
Відповідно до директиви ЄС стосовно відходів електричного та електронного обладнання, акумуляторів, батарей та відходів акумуляторів і батарей, а також відповідно до її адаптації до національного законодавства, відходи електричного обладнання, батарей та акумуляторів слід зберігати окремо й доставляти на пункт роздільного збору комунальних відходів, який працює з дотриманням правил охорони навколишнього середовища.
Це позначено символом у вигляді перевершеного сміттевого контейнера з колесами, нанесеним на обладнання.



Гарантований рівень звукової потужності відповідно до Директиви ЄС щодо шумів поза приміщеннями.



Рівень звукової потужності відповідно до Регламенту Австралії (Новий Південний Уельс) з контролю за шумом

Призначення

Машина призначена для косіння газонів.

Шум

Рівень шуму за шкалою А в типовому виконанні, визначений відповідно до стандарту EN60335-2-77:

Модель DLM480

Рівень звукового тиску (L_{pA}): 84 дБ (А)
Рівень звукової потужності (L_{WA}): 92 дБ (А)
Похибка (К): 3 дБ (А)

Модель DLM481

Рівень звукового тиску (L_{pA}): 84 дБ (А)
Рівень звукової потужності (L_{WA}): 92 дБ (А)
Похибка (К): 3 дБ (А)

Модель DLM538

Рівень звукового тиску (L_{pA}): 85 дБ (А)
Рівень звукової потужності (L_{WA}): 96 дБ (А)
Похибка (К): 3 дБ (А)

Модель DLM539

Рівень звукового тиску (L_{pA}): 85 дБ (А)
Рівень звукової потужності (L_{WA}): 96 дБ (А)
Похибка (К): 3 дБ (А)

ПРИМІТКА: Заявлене значення шуму було виміряно відповідно до стандартних методів тестування й може використовуватися для порівняння одного інструмента з іншим.

ПРИМІТКА: Заявлене значення шуму може також використовуватися для попереднього оцінювання впливу.

▲ПОПЕРЕДЖЕННЯ: Користуйтеся засобами захисту органів слуху.

▲ПОПЕРЕДЖЕННЯ: Залежно від умов використання рівень шуму під час фактичної роботи електроінструмента може відрізнитися від заявленого значення вібрації; особливо сильно на це впливає тип деталі, що оброблюється.

▲ПОПЕРЕДЖЕННЯ: Забезпечте належні запобіжні заходи для захисту оператора, що відповідатимуть умовам використання інструмента (слід брати до уваги всі складові робочого циклу, як-от час, коли інструмент вимкнено та коли він починає працювати на холостому ході під час запуску).

Вібрація

Загальна величина вібрації (векторна сума трьох напрямків) визначена згідно з EN60335-2-77:

Модель DLM480

Вібрація (a_h): 2,5 м/с² або менше
Похибка (К): 1,5 м/с²

Модель DLM481

Вібрація (a_h): 2,5 м/с² або менше
Похибка (К): 1,5 м/с²

Модель DLM538

Вібрація (a_h): 2,5 м/с² або менше
Похибка (К): 1,5 м/с²

Модель DLM539

Вібрація (a_h): 2,5 м/с² або менше
Похибка (К): 1,5 м/с²

ПРИМІТКА: Заявлене загальне значення вібрації було виміряно відповідно до стандартних методів тестування й може використовуватися для порівняння одного інструмента з іншим.

ПРИМІТКА: Заявлене загальне значення вібрації може також використовуватися для попереднього оцінювання впливу.

▲ПОПЕРЕДЖЕННЯ: Залежно від умов використання вібрація під час фактичної роботи електроінструмента може відрізнитися від заявленого значення вібрації; особливо сильно на це впливає тип деталі, що оброблюється.

▲ПОПЕРЕДЖЕННЯ: Забезпечте належні запобіжні заходи для захисту оператора, що відповідатимуть умовам використання інструмента (слід брати до уваги всі складові робочого циклу, як-от час, коли інструмент вимкнено та коли він починає працювати на холостому ході під час запуску).

Декларація про відповідність стандартам ЄС

Тільки для країн Європи

Декларацію про відповідність стандартам ЄС наведено в Додатку А до цієї інструкції з експлуатації.

ПОПЕРЕДЖЕННЯ ПРО ДОТРИМАННЯ ТЕХНІКИ БЕЗПЕКИ

Загальні застереження щодо техніки безпеки при роботі з електроінструментами

⚠ ПОПЕРЕДЖЕННЯ: Уважно ознайомтеся з усіма попередженнями про дотримання правил техніки безпеки, інструкціями, ілюстраціями та технічними характеристиками, що стосуються цього електроінструмента. Невиконання будь-яких інструкцій, перелічених нижче, може призвести до ураження електричним струмом, пожежі та/або тяжких травм.

Збережіть усі інструкції з техніки безпеки та експлуатації на майбутнє.

Термін «електроінструмент», зазначений у інструкції з техніки безпеки, стосується електроінструмента, який функціонує від електромережі (електроінструмент з кабелем живлення), або електроінструмента з живленням від батареї (безпроводний електроінструмент).

Попередження щодо техніки безпеки під час використання бездротової газонокосарки

1. **Заборонено використовувати газонокосарку за несприятливих погодних умов, особливо коли є ризик виникнення грозового розряду.** Це правило дає змогу зменшити ризик ураження блискавкою.
2. **Перевірте зону, де буде використовуватися газонокосарка, на присутність тварин.** Під час роботи газонокосарка може травмувати тварин.
3. **Ретельно перевірте зону, де буде використовуватися газонокосарка, і приберіть з неї каміння, гілки, дроти, кістки та інші сторонні предмети.** Предмети, що розлітаються, можуть спричинити травмування.
4. **Перед використанням газонокосарки завжди оглядайте різальне полотно та його вузол на знос і пошкодження.** Зношені чи пошкоджені деталі підвищують ризик травмування.
5. **Регулярно через невеликі проміжки часу перевіряйте травозбірник на наявність ознак зношення або пошкодження.** Зношений чи пошкоджений травозбірник може підвищити ризик травмування.
6. **Щитки мають бути на місці.** Щитки мають бути в робочому стані й змонтовані належним чином. Щитки, які не тримаються міцно, пошкоджені чи не функціонують належним чином, можуть призвести до травмування.

7. **Не допускайте засмічення впускних отворів для повітря системи охолодження.** Засмічення впускних отворів для повітря може призвести до перегрівання й займання.
8. **Під час роботи з газонокосаркою завжди надягайте захисне взуття з підшвами, які не ковзають.** Заборонено працювати з газонокосаркою босоніж або у відкритих сандалях. Це правило дає змогу зменшити ризик травмування стоп унаслідок контакту з різальним полотном, що рухається.
9. **Перед використанням газонокосарки обов'язково надягайте довгі штани.** Оголення частин тіла збільшує ризик травмування предметами, які відскакують від газонокосарки.
10. **Не використовуйте газонокосарку на вологій траві.** Пересувайтеся повільно, не переходьте на біг. Це правило зменшує ризик зісковзування та падіння, які можуть призвести до травмування.
11. **Не використовуйте газонокосарку на дуже крутих схилах.** Це правило зменшує ризик втрати керування, зісковзування та падіння, що може спричинити травмування.
12. **Працюючи на схилах, завжди займайте стійке положення, рухайтесь поперек схилів, а не вгору чи вниз, будьте надзвичайно обережні, якщо змінюєте напрямок.** Це правило зменшує ризик втрати керування, зісковзування та падіння, що може спричинити травмування.
13. **Будьте надзвичайно обережні, повертаючи або пересуваючи газонокосарку до себе.** Завжди зважайте на те, що відбувається навколо. Це дасть змогу уникнути спотикання.
14. **Не торкайтесь різального полотна й інших рухомих деталей, поки вони рухаються.** Це дасть змогу знизити ризик травмування рухомими деталями.
15. **Перед видаленням застряглих обрізків або чистенням газонокосарки переконайтеся в тому, що всі вимикачі живлення вимкнені, а блок акумулятора від'єднано.** Випадкове ввімкнення газонокосарки може призвести до тяжкого травмування.

ЗБЕРЕГАЙТЕ ЦІ ВКАЗІВКИ.

⚠ ПОПЕРЕДЖЕННЯ: НІКОЛИ НЕ втрачайте пильності та не розслабляйтеся під час користування виробом (що можливо при частому користуванні); обов'язково строго дотримуйтеся відповідних правил безпеки.

НЕНАЛЕЖНЕ ВИКОРИСТАННЯ або недотримання правил техніки безпеки, викладених у цій інструкції з експлуатації, може призвести до серйозних травм.

ВАЖЛИВІ ІНСТРУКЦІЇ З ТЕХНІКИ БЕЗПЕКИ

⚠ ПОПЕРЕДЖЕННЯ: Прочитайте усі застереження стосовно техніки безпеки та всі інструкції. Недотримання попереджень та інструкцій може призвести до ураження електричним струмом, до виникнення пожежі та/або до отримання серйозних травм.

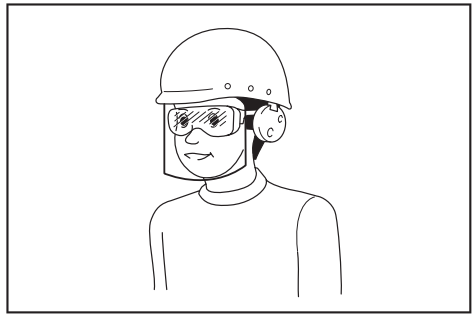
Збережіть усі інструкції з техніки безпеки та експлуатації на майбутнє.

Інструктаж

1. Уважно прочитайте інструкції з експлуатації. Ознайомтеся з усіма засобами керування, а також із правилами належної експлуатації газонокосарки.
2. Не дозволяйте користуватися газонокосаркою особам, не ознайомленим із цими інструкціями, та дітям. Місцеві норми можуть накладати обмеження на вік оператора.
3. Заборонено працювати з газонокосаркою, коли інші люди, особливо діти, або домашні тварини знаходяться поблизу.
4. Пам'ятайте, що оператор або користувач несе відповідальність за нещасні випадки та створення ситуацій, небезпечних для людей та їхнього майна.
5. Не допускайте, щоб діти гралися з газонокосаркою.
6. Фізичний стан. У жодному разі не використовуйте газонокосарку, перебуваючи під впливом наркотичних речовин, алкоголю або будь-яких медичних препаратів.

Підготовка

1. Перед використанням газонокосарки обов'язково взувайте міцне взуття та вдягайте довгі штани. Заборонено працювати з газонокосаркою босоніж або у відкритих сандаліях. Не рекомендовано вдягати прикраси, занадто вільний одяг або одяг, який має звисаючі мотузки або шнурки. Вони можуть потрапити у частини інструмента, що рухаються.
2. Перед початком експлуатації оглядайте газонокосарку щодо пошкоджених, відсутніх або неправильно встановлених захисних кожухів чи щитків.
3. Перед початком роботи переконайтеся у відсутності сторонніх осіб на робочій ділянці. Зупиніть газонокосарку, якщо хтось наблизиться до місця роботи.
4. Не вставляйте блокувальний ключ у газонокосарку, якщо вона не готова до використання.
5. Завжди користуйтеся захисними окулярами, щоб захистити очі від травмування під час роботи з електроінструментами. Захисні окуляри мають відповідати стандарту ANSI Z87.1 у США, EN 166 у Європі або AS/NZS 1336 в Австралії / Новій Зеландії. В Австралії / Новій Зеландії законодавство вимагає користуватися також щитком для захисту обличчя.



- Роботодавець відповідає за те, щоб оператори інструментів та інші особи, які знаходяться безпосередньо в робочій зоні, примусово користувалися відповідним захисним устаткуванням.
6. Перед початком роботи ретельно перевірте ріжуче полотно або болти, що використовуються для його фіксації, на наявність тріщин або пошкоджень. У разі виявлення тріщин або пошкоджень негайно замініть ріжуче полотно або болти.
 7. Щоб уникнути пошкодження газонокосарки або травмування, перед початком роботи приберіть із робочої зони сторонні предмети, як-от каміння, дроти, пляшки, кістки або великі гілки.
 8. Якщо ріжуче полотно газонокосарки натрапить на будь-який сторонній предмет, це може призвести до травмування. Щоразу перед використанням газонокосарки уважно оглядайте газон та прибирайте з нього всі сторонні предмети.
 9. Огляньте газон на наявність ям, колій, вийбів, каменів або інших прихованих об'єктів. Через нерівності поверхні ви можете підскокнутися й упасти. Висока трава може приховувати перешкоди.
 10. Використовуйте засоби індивідуального захисту. Завжди надягайте засоби захисту очей. Такі засоби захисту, як респіратор, неслизьке робоче взуття, захисний шолом та засоби захисту органів слуху, використовувани у відповідних умовах, знижують ризик отримання травм.

Робота

1. Використовуючи виріб, не тягніться занадто далеко. Завжди зберігайте рівновагу. Працюючи на схилах, обов'язково займайте стійке положення. Пересувайтеся повільно, не переходьте на біг.
2. Зупиніть газонокосарку, витягніть блокувальний ключ і переконайтеся в тому, що всі рухомі частини повністю зупинилися:
 - коли залишаєте газонокосарку без нагляду;
 - перед видаленням засмічення або прочищенням трубки;
 - перед перевіркою та очищенням інструмента або проведенням робіт на газонокосарці;

- якщо інструмент натрапив на сторонній предмет. Огляньте газонокосарку на відсутність пошкоджень і виконайте необхідний ремонт:
 - у разі аномальної вібрації в газонокосарці.
3. Заборонено використовувати газонокосарку із пошкодженими захисними кожухами чи щитками або без встановлених захисних пристроїв, як-от відбивачів та/або корзини для трави.
 4. Не використовуйте газонокосарку за поганих погодних умов, особливо коли є ризик виникнення грозового розряду.
 5. Перед використанням газонокосарки вдягайте засіб для захисту очей і міцні черевики.
 6. Користуйтеся газонокосаркою тільки у світлий час доби або за достатнього штучного освітлення.
 7. Обережно увімкніть газонокосарку згідно з наведеними інструкціями, тримаючи ноги подалі від ріжучих полотен.
 8. Будьте обережні, щоб не травмувати ноги або руки ріжучим полотном газонокосарки.
 9. Завжди стежте за тим, щоб вентиляційні отвори не забивалися сміттям.
 10. На схилах пересувайте газонокосарку попереку них, а не вгору та вниз. Будьте надзвичайно уважні, коли змінюєте напрямку руху газонокосарки на схилах. Не використовуйте газонокосарку на дуже крутих схилах.
 11. Будьте надзвичайно уважні, повертаючи або пересуваючи газонокосарку до себе.
 12. Зупиніть ріжучі полотна, якщо потрібно нахилити газонокосарку та перенести через ділянку, де не росте трава, або з однієї робочої ділянки на іншу.
 13. Під час запуску двигуна не нахилийте газонокосарку; виняток становлять ті випадки, коли для запуску двигуна газонокосарку необхідно нахилити. Проте навіть у цьому разі не нахилийте її більше, ніж це необхідно, і підіймайте її частину, розташовану з протилежного від вас боку. Обидві руки мають перебувати в робочому положенні, коли ви опускаєте газонокосарку на землю.
 14. Не наближайте руки та ноги до частин, що обертаються. Тримайтеся на відстані від випускного отвору.
 15. Заборонено транспортувати газонокосарку в увімкненому стані.
 16. Не використовуйте газонокосарку на вологій траві.
 17. Обов'язково міцно тримайте ручку.
 18. Піднімаючи газонокосарку або тримаючи її, не торкайтеся відкритого ріжучого полотна або ріжучої кромки.
 19. Тримайте ноги та руки подалі від ріжучого полотна, що обертається. Обережно! Полотно продовжують рух за інерцією після вимкнення газонокосарки.
 20. Негайно припиніть роботу, якщо помітите будь-які відхилення. Вимкніть газонокосарку й вийміть блокувальний ключ. Після цього огляньте газонокосарку.
 21. Заборонено регулювати висоту косіння під час роботи двигуна, якщо газонокосарка підтримує таку функцію.
 22. Відпустіть пусковий важіль і дочекайтеся зупинки ріжучого полотна, перш ніж перейти на дорогу, тротуар, проїзну частину або ділянку, укриту гравієм. Крім того, обов'язково вийміть блокувальний ключ, якщо потрібно залишити газонокосарку без нагляду, нахилитися, щоб підняти або прибрати сторонні предмети з дороги, а також за будь-яких інших обставин, що можуть відволікти вас від роботи.
 23. Якщо газонокосарка натрапить на сторонній предмет, виконайте такі дії:
 - зупиніть газонокосарку, відпустіть пусковий важіль та дочекайтеся повної зупинки ріжучого полотна;
 - вийміть блокувальний ключ і касету з акумулятором.
 - ретельно огляньте газонокосарку на наявність пошкоджень;
 - у разі виявлення будь-яких пошкоджень ріжучого полотна замініть його. Усуньте всі пошкодження, перш ніж продовжувати використання газонокосарки.
 24. Не запускайте газонокосарку, стоячи перед випускним отвором.
 25. Якщо спостерігається аномальна вібрація газонокосарки (потрібна негайна перевірка):
 - огляньте інструмент на наявність пошкоджень;
 - замініть або відремонтуйте пошкоджені частини;
 - перевірте на наявність незакріплених деталей та затягніть їх.
 26. Не спрямовуйте потік зрізаного матеріалу на людей. Не спрямовуйте потік зрізаного матеріалу на стіну або будь-який предмет. Зрізаний матеріал може відскочити в бік оператора. Зупиніть лезо перед транспортуванням по поверхні з гравію.
 27. Не тягніть газонокосарку назад без необхідності. За необхідності відвести косарку від паркана або іншої аналогічної перешкоди до початку й під час заднього ходу дивіться назад собі під ноги.
 28. Вимкніть двигун і зачекайте, поки лезо повністю не зупиниться, перш ніж зняти травозбірник. Пам'ятайте, що леза продовжують обертатися після вимкнення.
 29. У разі використання інструмента на вологих або слизьких ділянках, зокрема на схилах, будьте уважні, щоб не втратити рівновагу.
 30. Заборонено занурювати інструмент у калюжі.
 31. Під час роботи з машиною стежте за тим, щоб не допустити контакту з трубопроводом або проводами.
- Технічне обслуговування й зберігання**
1. Щоб гарантувати безпечну роботу, замінійте зношені або пошкоджені деталі. Використовуйте тільки оригінальні запасні частини та приладдя.
 2. Оглядайте газонокосарку й виконуйте її технічне обслуговування регулярно.

3. Якщо газонокосарка не використовується, зберігайте її в недоступному для дітей місці.
 4. Щоб гарантувати безпечну роботу інструмента, перевіряйте надійність затягування всіх гайок, болтів та гвинтів.
 5. Регулярно через невеликі проміжки часу перевіряйте корзину для трави на наявність ознак зношення або пошкодження. Зберігати інструмент необхідно з порожньою корзиною для трави. Щоб гарантувати безпечно використання інструмента, замініть зношену корзину для трави новою оригінальною запасною корзиною.
 6. Використовуйте тільки оригінальне ріжуче полотно, зазначене в цьому посібнику.
 7. Під час налаштування газонокосарки слідкуйте за тим, щоб пальці не потрапили між ріжучими полотнами, що обертаються, та нерухомими частинами газонокосарки.
 8. Регулярно через невеликі проміжки часу перевіряйте, чи надійно затягнуто болт кріплення ріжучого полотна.
 9. Перед тим як ставити газонокосарку на зберігання, зачекайте, поки вона охолоне.
 10. Під час обслуговування ріжучих полотен пам'ятайте про те, що вони все ще можуть рухатися, навіть якщо джерело живлення відключено.
 11. Не знімайте запобіжні механізми й не вносьте зміни в їхню конструкцію. Регулярно перевіряйте правильність їхньої роботи. Не робіть ніяких дій, які можуть вплинути на функціонування запобіжного механізму або можуть знизити ступінь захисту, який забезпечується запобіжним механізмом.
 12. Заборонено залишати інструмент під дощем без нагляду.
 13. Зберігайте інструмент у місці, захищеному від прямих сонячних променів і дощу, де він не піддаватиметься впливу високої температури або вологості.
4. За неналежних умов зберігання з акумулятора може витікати рідина, контакту з якою слід уникати. У разі випадкового потраплення рідини на тіло відповідну частину тіла слід промити водою. Якщо рідина потрапила в очі, їх слід промити водою, після чого необхідно звернутися до лікаря. Рідина, що витікає з акумулятора, може спричинити подразнення або опіки.
 5. Не користуйтеся акумулятором або інструментом, які було змінено чи пошкоджено. Експлуатація акумуляторів, що їх було пошкоджено або до конструкції яких було внесено зміни, може бути небезпечною і може спричинити пожежу, вибух або травму.
 6. Не піддавайте акумулятор або інструмент впливу вогню чи надмірної температури. Вплив вогню або температури вище 130° C може спричинити вибух.
 7. Дотримуйтеся усіх вказівок із заряджання й не заряджайте акумулятор або інструмент за температури за межами зазначеного в інструкції діапазону. Неправильне заряджання або заряджання за межами вказаного температурного діапазону може призвести до пошкодження акумулятора й підвищити небезпеку займання.

Електробезпека й техніка безпеки під час роботи з акумулятором

1. Не спалюйте акумулятори. Акумулятор може вибухнути. Ознайомтеся з місцевими законами, які можуть містити спеціальні інструкції щодо утилізації відходів.
2. Не відкривайте й не деформуйте акумулятори. Електроліт є їдкою речовиною, тому в разі контакту зі шкірою або очима може завдати травму. У разі проковтування він може бути токсичним.
3. Не заряджайте акумулятор під дощем або в місцях із підвищеною вологістю.
4. Перезаряджайте акумулятор тільки в приміщенні.
5. Не торкайтеся зарядного пристрою, а також штекера й контактів зарядного пристрою вологими руками.
6. Заборонено замінювати акумулятор під дощем.
7. Не допускайте потраплення рідини на контакти акумулятора й не занурюйте акумулятор у рідину. Заборонено залишати акумулятор під дощем, а також заряджати, використовувати або зберігати його в місці з підвищеною вологістю. Якщо контакти намокнуть або якщо всередину акумулятора потрапить рідина, може статися коротке замикання, що може призвести до перегріву, займання або вибуху.
8. Після виймання акумулятора з інструмента або зарядного пристрою обов'язково встановіть кришку відсіку для акумулятора й зберігайте її в сухому місці.
9. Заборонено замінювати акумулятор вологими руками.
10. Уникайте небезпечних умов роботи. Не користуйтеся машиною у вологих або мокрих місцях і не допускайте її перебування під дощем. У разі потраплення води в машину підвищується ризик ураження електричним струмом.

Використання та обслуговування акумуляторних інструментів

1. Перезаряджайте акумулятор лише за допомогою зарядного пристрою, вказаного виробником. Зарядний пристрій, який підходить для одного типу акумуляторів, може призвести до пожежі при використанні з акумулятором іншого типу.
2. Використовуйте електронструменти лише з акумуляторами того типу, який призначений саме для цих електронструментів. Використання акумуляторів інших типів може призвести до отримання травм і виникнення пожежі.
3. Коли акумулятор не використовується, тримайте його подалі від таких металевих предметів, як скріпки, монети, ключі, цвяхи, шурупи тощо, які можуть закортити клеми акумулятора. Замикання клем акумулятора може призвести до отримання опіків або до пожежі.

11. У разі потрапляння води на касету з акумулятором злийте воду з касети й витріть її сухою ганчіркою. Перед використанням касети з акумулятором дайте їй повністю висохнути в сухому місці.
- Обслуговування**
1. Ремонт електроінструмента повинен здійснювати лише кваліфікований майстер з використанням лише стандартних деталей. Це забезпечить підтримання електроінструмента в належному стані.
 2. Забороняється ремонтувати пошкоджені акумулятори. Ремонт акумуляторів має виконувати тільки виробник або вповноважений постачальник послуг.

ЗБЕРІГАЙТЕ ЦІ ВКАЗІВКИ.

▲ ПОПЕРЕДЖЕННЯ: НІКОЛИ НЕ втрачайте пильності та не розслабляйтеся під час користування виробом (що можливо при частому використанні); обов'язково строго дотримуйтеся відповідних правил безпеки.

НЕНАЛЕЖНЕ ВИКОРИСТАННЯ або недотримання правил техніки безпеки, викладених у цій інструкції з експлуатації, може призвести до серйозних травм.

Важливі інструкції з безпеки для касети з акумулятором

1. Перед тим як користуватися касетою з акумулятором, слід прочитати всі інструкції та застережні знаки щодо (1) зарядного пристрою акумулятора, (2) акумулятора та (3) виробів, що працюють від акумулятора.
2. Не розбирайте касету з акумулятором і не змінюйте її конструкцію. Це може призвести до пожежі, перегріву або вибуху.
3. Якщо період роботи дуже покоротшав, слід негайно припинити користування. Це може призвести до виникнення ризику перегріву, опіку та навіть вибуху.
4. У разі потрапляння електроліту в очі слід промити їх чистою водою та негайно звернутися до лікаря. Це може призвести до втрати зору.
5. Не закоротіть касету з акумулятором.
 - (1) Не слід торкатися клем будь-яким струмопровідним матеріалом.
 - (2) Не слід зберігати касету з акумулятором у ємності з іншими металевими предметами, такими як цвяхи, монети тощо.
 - (3) Не залишайте касету з акумулятором під дощем, запобігайте контакту з водою.

Коротке замикання може призвести до появи значного струму, перегріву, можливих опіків та навіть виходу з ладу.
6. Не слід зберігати й використовувати інструмент і касету з акумулятором у місцях, де температура може сягнути чи перевищити 50 °C (122 °F).
7. Не слід спалювати касету з акумулятором, навіть якщо вона була неодноразово пошкоджена або повністю спрацьована. Касета з акумулятором може вибухнути у вогні.
8. Заборонено забивати цвяхи в касету з акумулятором, різати, ламати, кидати, впускати касету з акумулятором або вдаряти її твердим предметом. Це може призвести до пожежі, перегріву або вибуху.
9. Не слід використовувати пошкоджений акумулятор.
10. Літій-іонні акумулятори, що містяться в інструменті, мають відповідати вимогам законів про небезпечні товари. Під час транспортування за допомогою комерційних перевезень, наприклад із залученням третьої сторони та експедиторів, необхідно дотримуватись особливих вимог, вказаних на пакуванні й у маркуванні. Під час підготовки позиції до відправлення необхідно проконсультуватись зі спеціалістом з небезпечних матеріалів. Крім того, слід виконувати більш докладні національні настанови, якщо такі є. Заклейте відкриті контакти стрічкою або заховайте їх і запакуйте акумулятор таким чином, щоб він не міг рухатися в пакуванні.
11. Для утилізації касети з акумулятором витягніть її з інструмента та утилізуйте безпечним способом. Дотримуйтеся норм місцевого законодавства щодо утилізації акумуляторів.
12. Використовуйте акумулятори лише з виробами, указаними компанією Makita. Установлення акумуляторів у невідповідні вироби може призвести до пожежі, надмірного нагрівання, вибуху чи витoku електроліту.
13. Якщо інструментом не користуватимуться протягом тривалого періоду часу, вийміть акумулятор з інструмента.
14. Під час і після використання касета з акумулятором може нагріватися, що може стати причиною опіків або низькотемпературних опіків. Будьте обережні під час поводження з гарячою касетою з акумулятором.
15. Не торкайтеся контактів інструмента відразу після використання, оскільки він може бути досить гарячим, щоб викликати опіки.
16. Не допускайте, щоб уламки, пил або земля прилипали до контактів, отворів і пазів на касеті з акумулятором. Це може призвести до перегріву, займання, вибуху та виходу з ладу інструмента або касети з акумулятором і спричинити опіки або травми.
17. Якщо інструмент не розраховано на використання поблизу високовольтних ліній електропередач, не використовуйте касету з акумулятором поблизу високовольтних ліній електропередач. Це може призвести до несправності, поломки інструмента або касети з акумулятором.
18. Тримайте акумулятор у недоступному для дітей місці.

ЗБЕРІГАЙТЕ ЦІ ВКАЗІВКИ.

⚠ОБЕРЕЖНО: Використовуйте тільки акумулятори Makita. Використання акумуляторів, інших ніж оригінальні акумулятори Makita, або акумуляторів, конструкцію яких було змінено, може призвести до вибуху акумулятора і спричинити пожежу, травму або пошкодження. У зв'язку з цим також буде анульовано гарантію Makita на інструмент Makita і на зарядний пристрій.

Поради з забезпечення максимального строку експлуатації акумулятора

1. Касету з акумулятором слід заряджати до того, як він розрядиться повністю. Завжди слід зупинити роботу інструмента та зарядити акумулятор, якщо ви помітили зменшення потужності інструмента.
2. Ніколи не слід заряджати повторно повністю заряджену касету з акумулятора. Перезарядження скорочує строк експлуатації акумулятора.
3. Заряджайте касету з акумулятором при кімнатній температурі 10°C - 40°C (50°F - 104°F). Перед тим як заряджати касету з акумулятором, слід зачекати, доки вона охолоне.
4. Коли касета з акумулятором не використовується, виймайте її з інструмента або зарядного пристрою.
5. Якщо касета з акумулятором не використовувалася тривалий час (понад шість місяців), її слід зарядити.

ЗБОРКА

⚠ПОПЕРЕДЖЕННЯ: Обов'язково виймайте блокувальний ключ та касету з акумулятором, перш ніж починати будь-які роботи з газонокосаркою. Якщо не вийняти блокувальний ключ та касету з акумулятором, випадкове увімкнення інструмента може призвести до важких травм.

⚠ПОПЕРЕДЖЕННЯ: Запускайте газонокосарку тільки в повністю зібраному стані. Використання машини в частково зібраному стані може спричинити тяжкі травми через випадковий пуск.

Встановлення ручок

УВАГА: Під час встановлення ручок будьте уважні, щоб не затиснути між ними шнур. Якщо шнур пошкоджено, пусковий важіль газонокосарки може не працювати.

1. Сумістіть отвір на нижній ручці з отвором на верхній ручці, потім вставте болт ззовні й затягніть гайку з накаткою на внутрішньому боці. Виконайте ту саму процедуру з іншого боку.

Для DLM481/DLM539

- **Рис.1:** 1. Болт 2. Гайка з накаткою 3. Нижня ручка 4. Верхня ручка

Для DLM480/DLM538

- **Рис.2:** 1. Болт 2. Гайка з накаткою 3. Нижня ручка 4. Верхня ручка

2. Поверніть регулятор на 90°, одночасно тягнучи за регулятор на нижній ручці, щоб розблокувати стопорний штифт. Виконайте ту саму процедуру з іншого боку. Підніміть ручку, а потім поверніть регулятори з обох боків на 90°. Упевніться, що регулятори надійно зафіксовані.

- **Рис.3:** 1. Регулятор

ПРИМІТКА: Щоб легше було звільнити стопорний штифт під час витягування поворотної ручки-фіксатора, підтримуйте ручку.

Демонтаж вставки для мультчування

1. Відчиніть задню кришку.

- **Рис.4:** 1. Задня кришка

2. Вийміть вставку для мультчування, припіднявши її.

- **Рис.5:** 1. Вставка для мультчування

Монтаж кошика для трави

1. Зніміть верхній затискач кошика для трави.

- **Рис.6:** 1. Верхній затискач

2. Вставте раму в кошик для трави до упору, утримуючи ручку рами.

- **Рис.7:** 1. Ручка

УВАГА: Не вставляйте ручку в кошик для трави. Вставляйте раму вздовж шва кошика для трави.

3. Упевніться, що кути кошика для трави не провисають.

- **Рис.8**

4. Відкрийте верхній затискач і прикріпіть його до рами.

- **Рис.9**

5. Прикріпіть усі затискачі, як показано на рисунку. Упевніться, що всі затискачі надійно прикріплені до рами.

- **Рис.10:** 1. Затискач

Установлення та зняття кошика для трави

Для встановлення кошика для трави виконайте зазначені далі дії.

1. Відчиніть задню кришку.

- **Рис.11:** 1. Задня кришка

2. Утримуючи ручку кошика для трави, зачепіть кошик для трави за стрижень на корпусі газонокосарки, як показано на малюнку.

- **Рис.12:** 1. Корзина для трави 2. Ручка 3. Стрижень

Щоб зняти кошик для трави, відкрийте задню кришку й витягніть кошик для трави, утримуючи ручку.

Установлення вставки для мульчування

1. Відчиніть задню кришку і зніміть корзину для трави.
► **Рис.13:** 1. Задня кришка 2. Корзина для трави
2. Установіть вставку для мульчування до упору, сумістивши виступи на ній з отворами в машині.
► **Рис.14:** 1. Вставка для мульчування 2. Виступ

ОПИС РОБОТИ

Встановлення та зняття касети з акумулятором

⚠ ОБЕРЕЖНО: Обов'язково вимикайте обладнання перед установленням або зняттям касети з акумулятором.

⚠ ОБЕРЕЖНО: Під час установлення або зняття касети з акумулятором слід міцно тримати машину й касету з акумулятором. Якщо втримувати машину й касету з акумулятором недостатньо міцно, вони можуть вислизнути з рук, що може призвести до пошкодження машини й касети з акумулятором або спричинити травми.

⚠ ОБЕРЕЖНО: Перед використанням обов'язково заблокуйте кришку відсіку для акумулятора. Інакше бруд чи вода може спричинити пошкодження виробу або касети з акумулятором.

⚠ ОБЕРЕЖНО: Завжди вставляйте касету з акумулятором повністю, доки не зникне червоний індикатор. Якщо цього не зробити, касета може випадково випасти з машини й завдати травми вам або людям, що перебувають поруч.

⚠ ОБЕРЕЖНО: Не встановлюйте касету з акумулятором із зусиллям. Якщо касета не вставляється легко, це означає, що її вставляють неправильно.

⚠ ОБЕРЕЖНО: Під час установлення або зняття касети з акумулятором міцно тримайте кришку відсіку для акумулятора.

ПРИМІТКА: Машини не працює, якщо вставлено тільки одну касету з акумулятором.

Встановлення касети з акумулятором

1. Потягніть блокувальний важіль угору й відкрийте кришку відсіку для акумулятора.
► **Рис.15:** 1. Кришка відсіку для акумулятора
2. Блокувальний важіль
2. Зіставте язичок на касеті з акумулятором із пазом на машині, а потім вставте касету до фіксації з клацанням.
► **Рис.16:** 1. Касета з акумулятором
3. Вставте блокувальний ключ до упору, як показано на малюнку.
► **Рис.17:** 1. Блокувальний ключ
4. Закрийте кришку відсіку для акумулятора та притисніть її до зачеплення з фіксуючим важелем.

Виймання касети з акумулятором

1. Потягніть блокувальний важіль угору й відкрийте кришку відсіку для акумулятора.
2. Витягніть касету з акумулятором із машини, водночас натискаючи кнопку на передній частині касети.
3. Витягніть блокувальний ключ.
4. Закрийте кришку відсіку для акумулятора.

Система захисту машини й акумулятора

Машини оснащені системою захисту машини / акумулятора. Ця система автоматично вимикає живлення двигуна з метою подовження терміну служби машини й акумулятора. Машини автоматично зупиняються під час роботи, якщо машина або акумулятор перебувають у зазначених далі умовах.

Захист від перевантаження

Якщо через спосіб експлуатації акумулятор споживає аномально високий струм, машина автоматично вимкнеться, а індикатор живлення почне блимати зеленим. У такому випадку вимкніть машину та припиніть роботу, під час виконання якої сталося перевантаження машини. Щоб перезапустити машину, увімкніть її знову.

Захист від перегрівання

Якщо машина або акумулятор перегрілися, машина автоматично вимикається, а індикатор живлення загоряється червоним. У цьому випадку дайте обладнанню й акумулятору охолонути, перш ніж знову вмикати обладнання.

Захист від надмірного розрядження

Якщо ємності акумулятора недостатньо, машина зупиниться автоматично, а індикатор живлення почне блимати червоним. У такому разі вийміть із машини акумулятор і зарядіть касети з акумуляторами або замініть їх на повністю заряджені.

Захист від інших неполадок

Система захисту також забезпечує захист від інших неполадок, які можуть призвести до пошкодження машини, і забезпечує автоматичне припинення роботи машиною. У разі тимчасової зупинки або припинення роботи машини виконайте всі зазначені нижче дії для усунення причини зупинки.

1. Вимкніть і знову увімкніть машину, щоб перезапустити її.
2. Зарядіть акумулятор(-и) або замініть його(їх) зарядженим(-и).
3. Дайте машині й акумулятору(-ам) охолонути.

Якщо після відновлення вихідного стану системи захисту ситуація не зміниться, зверніться до місцевого сервісного центру Makita.

УВАГА: Якщо машина зупиняється за причини, не описаної вище, див. розділ про усунення несправностей.

Відображення залишкового заряду акумулятора

► Рис.18: 1. Індикатор акумулятора











За низького заряду акумулятора індикатор акумулятора починає блимати на відповідному боці акумулятора. У разі подальшого використання машина припиняє роботу, а індикатор акумулятора вмикається. У такому разі необхідно зарядити касету з акумулятором.

Відображення залишкового заряду акумулятора

Тільки для касет з акумулятором, які мають індикатори

► Рис.19: 1. Індикаторні лампи 2. Кнопка перевірки

Натисніть кнопку перевірки на касеті з акумулятором для відображення залишкового ресурсу акумулятора. Індикаторні лампи загоряться на кілька секунд.

Індикаторні лампи			Залишковий ресурс
			
			від 75 до 100%
			від 50 до 75%
			від 25 до 50%
			від 0 до 25%
			Зарядіть акумулятор.
			Можливо, акумулятор вийшов з ладу.
			

ПРИМІТКА: Залежно від умов використання та температури оточуючого середовища показання можуть незначним чином відрізнятися від дійсного ресурсу.

ПРИМІТКА: Перша (дальня ліва) індикаторна лампа блимає під час роботи захисної системи акумулятора.

Вимикач живлення

▲ ПОПЕРЕДЖЕННЯ: Завжди вимикайте вимикач живлення, коли не використовуєте пристрій.

► Рис.20: 1. Індикатор живлення 2. Вимикач живлення

Щоб увімкнути інструмент, натисніть вимикач живлення. Індикатор живлення засвітиться зеленим. Щоб вимкнути інструмент, знову натисніть вимикач живлення.

ПРИМІТКА: Якщо індикатор живлення загориться червоним або почне блимати червоним або зеленим, див. розділ інструкції із системи захисту машини або акумулятора.

ПРИМІТКА: Цей інструмент підтримує функцію автоматичного вимкнення. Щоб запобігти ненавмисному запуску, вимикач живлення буде автоматично вимкнутися, якщо не тягнути за пусковий важіль і важіль приводу (якщо встановлено) протягом певного часу після ввімкнення вимикача живлення.

Дія вимикача

▲ ПОПЕРЕДЖЕННЯ: Перш ніж вставляти в інструмент касету з акумулятором, слід обов'язково переконатися в тому, що пусковий важіль спрацьовує належним чином і повертається у вихідне положення після відпускання. Робота з машиною, вмикач якої не спрацьовує належним чином, може призвести до втрати контролю над машиною й отримання тяжких травм.

ПРИМІТКА: Навіть за натискання на пусковий важіль газонокосарка не запуститься, якщо не натиснуто пускову кнопку.

ПРИМІТКА: Газонокосарка може не запуститися через перевантаження, якщо спробувати скосити високу або густу траву за один прохід. У такому разі потрібно збільшити висоту скошування.

Газонокосарку оснащено блокувальним ключем і вимикачем на ручці. Якщо помітите щось незвичне в роботі блокувального ключа або вимикача, негайно припиніть роботу та перевірте їх у найближчому авторизованому сервісному центрі Makita.

Для DLM481/DLM539

1. Установіть касети з акумулятором. Вставте блокувальний ключ і закрийте кришку відсіку для акумулятора.
2. Натисніть вимикач живлення.
3. Потягніть пусковий важіль до себе, утримуючи пускову кнопку. Щойно двигун запуститься, відпустіть пускову кнопку.

► Рис.21: 1. Пускова кнопка 2. Пусковий важіль

4. Утримуючи пусковий важіль, натисніть пусковий важіль вперед і утримуйте його для зняття блокування задніх коліс.

► Рис.22: 1. Важіль приводу

ПРИМІТКА: Задні колеса можна привести до руху, натиснувши важіль приводу вперед і утримуючи його, не натискаючи пусковий важіль.

5. Щоб зупинити машину, відпустіть важіль приводу й пусковий важіль.

Для DLM480/DLM538

1. Установіть касети з акумулятором. Вставте блокувальний ключ і закрийте кришку відсіку для акумулятора.
2. Натисніть вимикач живлення.
3. Потягніть пусковий важіль до себе, утримуючи пускову кнопку. Щойно двигун запуститься, відпустіть пускову кнопку.

► Рис.23: 1. Пускова кнопка 2. Пусковий важіль

4. Щоб зупинити двигун, відпустіть пусковий важіль.

Регулювання висоти скошування

▲ ПОПЕРЕДЖЕННЯ: Регулюючи висоту скошування, у жодному разі не розташовуйте руку чи ногу під корпусом газонокосарки.

▲ ПОПЕРЕДЖЕННЯ: Перед початком роботи переконайтеся, що важіль належним чином увійшов у паз.

Висоту скошування можна відрегулювати в діапазоні від 20 мм до 100 мм.

Вийміть блокувальний ключ і потягніть важіль регулювання висоти скошування з корпусу газонокосарки, а потім установіть його на бажану висоту косіння.

► **Рис.24:** 1. Важіль регулювання висоти скошування

У таблиці нижче показано співвідношення цифр на корпусі газонокосарки та приблизної висоти скошування.

Цифра	Висота скошування
1	20 мм
2	26 мм
3	32 мм
4	40 мм
5	49 мм
6	59 мм
7	70 мм
8	81 мм
9	92 мм
10	100 мм

Тримайте нижню ручку однією рукою, а іншою пересувайте важіль регулювання висоти косіння.

► **Рис.25:** 1. Важіль регулювання висоти скошування 2. Нижня ручка

ПРИМІТКА: Позначки висоти скошування слід використовувати лише для довідки. Залежно від стану газону або ґрунту фактична висота скошування може дещо відрізнятись від заданого значення.

ПРИМІТКА: Зробіть пробне скошування трави у менш помітному місці, щоб налаштувати потрібну висоту.

Індикатор рівня трави

Індикатор рівня трави показує обсяг скошеної трави. Коли кошик для трави неповний, індикатор коливається під час роботи лез.

► **Рис.26:** 1. Індикатор рівня трави

Коли кошик для трави майже повний, індикатор не коливається під час роботи лез. У такому разі негайно припиніть роботу та спорожніть кошик.

► **Рис.27:** 1. Індикатор рівня трави

ПРИМІТКА: Цей індикатор є лише приблизним. Залежно від умов усередині корзини цей індикатор може працювати неналежним чином.

Регулювання висоти рукоятки

Ручка має двоступеневе регулювання висоти.

1. Утримуючи нижню ручку, поверніть регулятор на 90°, одночасно відтягуючи його для розблокування стопорного штифта. Виконайте ту саму процедуру з іншого боку.

► **Рис.28:** 1. Нижня ручка 2. Регулятор

ПРИМІТКА: Щоб легше було звільнити стопорний штифт під час витягування поворотної ручки-фіксатора, підтримуйте ручку.

2. Відрегулюйте висоту ручки, а потім поверніть регулятори з обох боків на 90°. Упевніться, що регулятори надійно зафіксовані.

► **Рис.29:** 1. Регулятор

Налаштування швидкості руху

Для DLM481/DLM539

► **Рис.30:** 1. Важіль регулювання швидкості

Швидкість руху можна налаштувати важелем регулювання швидкості. Для зменшення швидкості потягніть важіль на себе, для збільшення швидкості натисніть важіль вперед.

Використання вставки для мульчування

Вставка для мульчування дає змогу скидати подрібнену траву назад на газон, не збираючи її в кошик для трави. У разі роботи зі вставкою для мульчування впевніться, що кошик для трави знято з машини.

УВАГА: У разі використання машини зі вставкою для мульчування переконайтеся, що загальна довжина трави після зрізання становить щонайменше 30 мм, а довжина зрізу не перевищує 15 мм.

► **Рис.31:** (1) 30 мм або більше (2) 15 мм або менше

Використання заднього викиду

Використання заднього викиду дає змогу скидати подрібнену траву на газон із заднього боку машини без збирання її в кошик для трави.

Під час використання на машині заднього викиду не забудьте видалити кошик для трави та вставку для мульчування й закрити задню кришку.

Електронні функції

Для полегшення роботи в інструменті доступні електронні функції.

- М'який старт під час приведення до руху. Функція плавного запуску мінімізує ривок під час запуску й забезпечує плавний запуск інструмента.
- Електричне гальмо. Цю машину обладнано електричним гальмом. Якщо після відпускання пускового важеля не кожного разу відбувається швидка зупинка ріжучого полотна газонокосарки, надішліть машину в офіційний сервісний центр Makita для обслуговування.

РОБОТА

Косіння

▲ ПОПЕРЕДЖЕННЯ: Перш ніж починати косити газон, приборіть з робочої ділянки гілки та каміння. Крім того, видаліть заздалегідь бур'яні із робочої ділянки.

▲ ПОПЕРЕДЖЕННЯ: Під час використання газонокосарки обов'язково користуйтеся захисними окулярами з боковими щитками.

▲ ОБЕРЕЖНО: Якщо в корпусі газонокосарки накопичилася трава або сторонні об'єкти, обов'язково вийміть блокувальний ключ і касету з акумулятором та надягніть захисні рукавички, перш ніж видаляти сміття зсередини корпусу.

УВАГА: Використовуйте машину лише для косіння газонів. Не використовуйте її для косіння бур'янів.

► Рис.32

Під час скошування міцно тримайте ручку обома руками. Рекомендована швидкість скошування становить приблизно від 7 до 14 метрів за 10 секунд.

► Рис.33

ПРИМІТКА: Якщо під час косіння газону з високою або густою травою виявиться, що траву скошено нерівномірно або неякісно, або під час косіння знизиться швидкість обертання двигуна, зменште швидкість косіння до рівня, нижчого за рекомендований у цьому посібнику, або збільште висоту скошування.

Центральні лінії на передніх колесах показують ширину смуги скошування. Використовуйте їх як напрямні, косите смугами. Щоб рівномірно підстригти газон, перекривайте косаркою половину або третину попередньої смуги.

► **Рис.34:** 1. Ширина скошування 2. Зона перекриття 3. Центральна лінія

Змінюйте напрям руху кожного разу, щоб уникнути пригнітання трави в одному напрямку.

► Рис.35

Періодично перевіряйте кількість скошеної трави у корзині. Спорожніть корзину для трави до того, як вона заповниться. Перед кожною такою перевіркою заповняйте газонокосарку та виймайте блокувальний ключ та касету з акумулятором.

УВАГА: Якщо використовувати газонокосарку із заповненим кошиком для трави, різуче полотно обертатиметься нерівномірно – це збільшує навантаження на двигун і може призвести до його виходу з ладу.

Косіння газону з високою травою

Не намагайтеся підрізати газон із високою травою за один прохід. Натомість косіть такий газон у кілька етапів. Косіть газон з інтервалом в один або два дні, доки трава не набуде рівномірної висоти.

► Рис.36

ПРИМІТКА: Якщо одразу скосити високу траву дуже коротко, трава може відмерти. Крім того, зрізана трава може заблокувати зсередини корпус газонокосарки.

ПРИМІТКА: Якщо під час косіння виявиться, що трава підрізається нерівномірно або неякісно, або під час косіння знизиться швидкість обертання двигуна, зменште швидкість косіння або збільште висоту скошування.

Спорожнення корзини для трави

▲ ПОПЕРЕДЖЕННЯ: Щоб зменшити ризик нещасного випадку, регулярно оглядайте корзину для трави на наявність пошкоджень або зменшення міцності. За необхідності замініть корзину для трави.

1. Відпустіть пусковий важіль і важіль приводу (для DLM481/DLM539) або відпустіть пусковий важіль (для DLM480/DLM538).
 2. Вийміть блокувальний ключ.
 3. Відкрийте задню кришку й вийміть кошик для трави, тримаючи його за ручку.
- **Рис.37:** 1. Задня кришка 2. Ручка 3. Кошик для трави
4. Спорожніть корзину для трави.

ТЕХНІЧНЕ ОБСЛУГОВУВАННЯ

▲ ПОПЕРЕДЖЕННЯ: Обов'язково виймайте з газонокосарки блокувальний ключ і касету з акумулятором, перш ніж ставити інструмент на зберігання, оглядати його або проводити ремонт або технічне обслуговування.

▲ ПОПЕРЕДЖЕННЯ: Обов'язково виймайте блокувальний ключ, коли газонокосарка не використовується. Зберігайте блокувальний ключ у безпечному та недоступному для дітей місці.

▲ ПОПЕРЕДЖЕННЯ: Під час огляду або проведення технічного обслуговування одягайте рукавиці.

▲ ПОПЕРЕДЖЕННЯ: Під час огляду або технічного обслуговування інструмента обов'язково користуйтеся захисними окулярами з боковими щитками.

УВАГА: Ніколи не використовуйте газолін, бензин, розріджувач, спирт та подібні речовини. Їх використання може призвести до зміни кольору, деформації або появи тріщин.

Для забезпечення БЕЗПЕКИ та НАДІЙНОСТІ продукції, її ремонт, а також роботи з обслуговування або регулювання повинні виконуватись уповноваженими або заводськими сервісними центрами Makita із використанням запчастин виробництва компанії Makita.

Технічне обслуговування

1. Вийміть блокувальний ключ і касети з акумуляторами й закрийте кришку відсіку для акумулятора.
2. Поставте газонокосарку на бік. Видаліть обрізки трави з дна газонокосарки.
3. Лийте воду на нижню частину інструмента, де кріпиться ріжуче полотно.

УВАГА: Не мийте інструмент струменем під тиском.

4. Перевірте, чи належним чином затягнуто всі гайки, болти, гвинти тощо.
5. Огляньте рухомі частини на наявність пошкоджень, тріщин та зношення. Пошкоджені або відсутні деталі необхідно відремонтувати або замінити.
6. Зберігайте інструмент у безпечному й недоступному для дітей місці.

Для DLM481/DLM539

УВАГА: Не допускайте потрапляння води на зону, показану на малюнку. Потрапляння води на вузол двигуна може призвести до несправності машини.

- Рис.38: 1. Зона, куди не слід допускати потрапляння води

Для DLM481/DLM539

УВАГА: Не допускайте потрапляння води на машину, коли вона перебуває у вертикальному положенні, як показано на рисунку. Коли машина перебуває у вертикальному положенні, вода може потрапити у вузол двигуна й спричинити несправність.

- Рис.39

Перенесення газонокосарки

⚠ОБЕРЕЖНО: Перш ніж переносити газонокосарку, упевніться, що касета з акумулятором і блокувальний ключ вийняті.

Переносити газонокосарку потрібно вдвох, тримаючи її за задню ручку й передню нижню виймку, як показано на рисунку.

- Рис.40: 1. Нижня виймка 2. Задня ручка

Зберігання

⚠ОБЕРЕЖНО: Ставити машину у вертикальне положення потрібно на рівній надійній поверхні. У разі розміщення машини на нестабільній поверхні вона може перекинутися й спричинити травмування.

Зберігайте газонокосарку в прохолодному, сухому й замкнутому приміщенні. Заборонено зберігати газонокосарку й зарядні пристрої у місцях, де температура може сягнути або перевищити 40 °C.

1. Зніміть касету з акумулятором і блокувальний ключ.
2. Поверніть регулятор на 90°, одночасно тягнучи за регулятор на нижній ручці, щоб розблокувати стопорний штифт. Виконайте ту саму процедуру з іншого боку, а потім складіть ручку.

► Рис.41: 1. Регулятор

ПРИМІТКА: Щоб легше було звільнити стопорний штифт під час витягування поворотної ручки-фіксатора, підтримуйте ручку.

3. Поверніть регулятори з обох боків на 90°. Упевніться, що регулятори надійно зафіксовані.

Для DLM481/DLM539

► Рис.42: 1. Регулятор

Для DLM480/DLM538

► Рис.43: 1. Регулятор

УВАГА: Будьте обережні, щоб не затиснути шнури під час складання ручки.

4. Послабте гайки з накатками з обох боків, а потім складіть верхню ручку, як показано на рисунку.
- Рис.44: 1. Гайка з накаткою 2. Верхня ручка
5. Установіть машину у вертикальне положення.

ПРИМІТКА: Установлюючи газонокосарку у вертикальне положення, не тримайте її лише за ручку; натомість тримайте її і за корпус, і за ручку.

6. Зберігайте кошик для трави, як показано на рисунку.
- Рис.45: 1. Кошик для трави
- Рис.46: 1. Кошик для трави

Зняття або встановлення ріжучого полотна газонокосарки

⚠ПОПЕРЕДЖЕННЯ: Після відпускання пускового важеля ріжуче полотно продовжує рух за інерцією протягом кількох секунд. Заборонено розпочинати будь-які дії до повної зупинки ріжучого полотна.

⚠ПОПЕРЕДЖЕННЯ: Під час зняття або встановлення ріжучого полотна обов'язково виймайте блокувальний ключ та касету з акумулятором. Якщо не вийняти блокувальний ключ та касету з акумулятором, це може призвести до важких травм.

⚠ПОПЕРЕДЖЕННЯ: Під час роботи з ріжучим полотном обов'язково одягайте рукавиці.

Знімання ріжучого полотна газонокосарки

1. Покладіть газонокосарку на бік таким чином, щоб важіль регулювання висоти скошування опинився знизу.
2. Щоб заблокувати різальне полотно, повністю вставте штифт в отвір у корпусі газонокосарки.
3. Вкрутіть болт, обертаючи його торцевим ключем на 17 проти годинникової стрілки.
 - **Рис.47:** 1. Ріжуче полотно газонокосарки 2. Штифт 3. Торцевий ключ
4. Вийміть болт, а потім зніміть ріжуче полотно газонокосарки.
 - **Рис.48:** 1. Опора для леза 2. Ріжуче полотно газонокосарки 3. Болт 4. Виступ

УВАГА: Під час установки ріжучого полотна газонокосарки переконайтеся в тому, що виступи на опорі для леза входять в отвори на лезі газонокосарки.

Установлення ріжучого полотна газонокосарки

▲ПОПЕРЕДЖЕННЯ: Обережно встановіть ріжуче полотно газонокосарки. Воно має верхню й нижню поверхні.

▲ПОПЕРЕДЖЕННЯ: Міцно затягніть болт за годинниковою стрілкою, щоб закріпити ріжуче полотно.

▲ПОПЕРЕДЖЕННЯ: Переконайтеся в тому, що ріжуче полотно газонокосарки й усі кріпильні деталі правильно встановлено й надійно затягнуто.

▲ПОПЕРЕДЖЕННЯ: Під час встановлення ріжучих полотен обов'язково дотримуйтеся інструкцій, наведених у цьому посібнику.

УВАГА: Після встановлення ріжучих полотен газонокосарки витягніть штифт із корпусу газонокосарки.

Щоб встановити ріжучі полотна газонокосарки, виконайте процедуру їх зняття у зворотному порядку.

УСУНЕННЯ НЕСПРАВНОСТЕЙ

Перш ніж звертатися з приводу ремонту машини, проведіть її перевірку самостійно. У разі виявлення несправності, яка не пояснюється в цій інструкції з експлуатації, не намагайтеся розібрати обладнання. Натомість зверніться до авторизованих сервісних центрів Makita, у яких для ремонту використовуються тільки запасні частини виробництва компанії Makita.

Стан відхилення від норми	Можлива причина (несправність)	Спосіб виправлення
Газонокосарка не запускається.	Не встановлено дві касети з акумулятором.	Встановіть дві заряджені касети з акумуляторами.
	Проблема з акумулятором (знижена напруга)	Зарядіть касету з акумулятором. Якщо зарядження не призвело до бажаного результату, замініть касету з акумулятором.
	Блокувальний ключ не вставлено.	Вставте блокувальний ключ.
Двигун перестає працювати після короткочасного використання.	Низький рівень заряду акумулятора.	Зарядіть касету з акумулятором. Якщо зарядження не призвело до бажаного результату, замініть касету з акумулятором.
	Висота різання замала.	Збільште висоту різання.
	Засмічення газонокосарки зрізаною травою.	Вийміть траву з газонокосарки.
Двигун не досягає максимальної швидкості обертання.	Касету з акумулятором встановлено неправильно.	Встановіть касету з акумулятором, як описано в цьому посібнику.
	Заряд акумулятора зменшується.	Зарядіть касету з акумулятором. Якщо зарядження не призвело до бажаного результату, замініть касету з акумулятором.
	Система приводу працює неправильно.	Зверніться до місцевого авторизованого сервісного центру з приводу ремонту.
Ріжуче полотно газонокосарки не обертається: ⇒ негайно зупиніть газонокосарку!	Сторонній предмет, як-от гілка, застряг поруч із ріжучим полотном.	Приберіть сторонній предмет.
	Система приводу працює неправильно.	Зверніться до місцевого авторизованого сервісного центру з приводу ремонту.
Аномальна вібрація: ⇒ негайно зупиніть газонокосарку!	Ріжуче полотно розбалансоване, надмірно або нерівномірно зношене.	Замініть ріжуче полотно.

ДОДАТКОВЕ ПРИЛАДДЯ

⚠ ОБЕРЕЖНО: Це допоміжне приладдя й насадки рекомендовано використовувати з машиною Makita, зазначеною в цьому посібнику. Використання будь-якого іншого додаткового приладдя й насадок може призвести до травмування. Використовуйте додаткове приладдя й насадки лише за призначенням.

У разі необхідності отримати допомогу в більш детальному ознайомленні з оснащенням звертайтеся до місцевого сервісного центру Makita.

- Ріжуче полотно газонокосарки
- Оригінальний акумулятор та зарядний пристрій Makita

ПРИМІТКА: Деякі елементи в списку можуть входити до комплекту поставки обладнання як стандартне приладдя. Вони можуть візнитися залежно від країни.

SPECIFICAȚII

Model:	DLM480	DLM481	DLM538	DLM539
Lățime de tundere (diametrul pânzei)	480 mm		534 mm	
Turație în gol	3.100 min ⁻¹		3.000 min ⁻¹	
Numărul piesei de schimb pânză mașină de tuns iarba	Pânză dreaptă a mașinii de tuns iarba	191V97-3		191V96-5 / 191W87-2
	Pânză de mulcire	191Y64-6		191Y65-4
Dimensiuni (L x l x H)	În timpul funcționării	L: Între 1.690 mm - 1.740 mm l: 530 mm H: Între 930 mm - 1.060 mm	L: Între 1.810 mm - 1.870 mm l: 580 mm H: Între 920 mm - 1.040 mm	
	În timpul depozitării (fără coș pentru iarbă)	580 mm x 530 mm x 870 mm		610 mm x 580 mm x 925 mm
Viteza de deplasare	–	2,5 - 5,0 km/h	–	2,5 - 5,0 km/h
Tensiune nominală	36 V cc.			
Greutate netă	24,5 - 26,8 kg	27,0 - 29,3 kg	25,5 - 28,0 kg	27,9 - 30,4 kg
Grad de protecție	IPX4			

- Datorită programului nostru continuu de cercetare și dezvoltare, specificațiile pot fi modificate fără o notificare prealabilă.
- Specificațiile pot varia în funcție de țară.
- Greutatea poate diferi în funcție de accesoriu(ii), inclusiv cartușul acumulatorului. În tabel se prezintă combinația cea mai ușoară și cea mai grea, conform Procedurii EPTA 01/2014.

Cartușul acumulatorului și încărcătorul aplicabile

Cartușul acumulatorului	BL1815N / BL1820B / BL1830B / BL1840B / BL1850B / BL1860B
Încărcător	DC18RC / DC18RD / DC18RE / DC18SD / DC18SE / DC18SF / DC18SH / DC18WC





- Este posibil ca unele cartușe ale acumulatorilor și încărcătoare menționate mai sus să nu fie disponibile în funcție de regiunea dvs. de reședință.

⚠️ AVERTIZARE: Utilizați numai cartușele de acumulator și încărcătoarele enumerate mai sus. Utilizarea oricăror altor cartușe de acumulator și încărcătoare poate duce la rănire și/sau incendiu.

⚠️ AVERTIZARE: Nu utilizați o sursă de alimentare cu cablu, cum ar fi un adaptor pentru acumulator sau un bloc de alimentare portabil, cu această mașină. Cablul sursei de alimentare poate împiedica utilizarea și poate duce la vătămări corporale.

Simboluri

Mai jos sunt prezentate simbolurile care pot fi utilizate pentru echipament. Asigurați-vă că înțelegeți sensul acestora înainte de utilizare.

	Acordați atenție și grijă deosebită.
	Citiți manualul de utilizare.
	Pericol; țineți cont de obiectele care pot fi aruncate.
	Distanța dintre mașină și persoanele aflate în zonă trebuie să fie de cel puțin 15 m.



Nu apropiați niciodată mâinile sau picioarele de pânza mașinii de tuns iarba, sub mașina de tuns iarba. Pânzele mașinii de tuns iarba continuă să se rotească după oprirea motorului.



Scoateți cheia de blocare înainte de a inspecta, regla, curăța, efectua operațiuni de service, lăsa nesupravegheată și depozita mașina de tuns iarba.



Avertizare: deconectați acumulatorul înainte de a efectua lucrări de întreținere.



Pericol electric. Contactul cu apa poate provoca un șoc electric.



Nu turnați apă.



Doar pentru țările din cadrul UE
Din cauza prezenței componentelor periculoase în echipament, deșeurile de echipamente electrice și electronice, acumulatorii și bateriile pot avea un efect negativ asupra mediului și sănătății umane.

Nu eliminați aparatele electrice și electronice sau bateriile împreună cu gunoierul menajer!

În conformitate cu Directiva europeană privind deșeurile de echipamente electrice și electronice, acumulatorii, bateriile și deșeurile de acumulatori și baterii, precum și cu adaptarea sa în legislația națională, deșeurile de echipamente electrice, de baterii și de acumulatori trebuie depozitate separat și eliminate la un centru de colectare separat pentru deșeurile municipale, care respectă reglementările privind protecția mediului.

Acest lucru este indicat prin simbolul care reprezintă o pubeză cu roți barată cu o cruce, aplicat pe echipament.



Nivel de putere acustică garantat în conformitate cu Directiva UE privind zgomotul emis de echipamentele utilizate în exterior.



Nivel de putere acustică în conformitate cu Regulamentul NSW al Australiei privind atenuarea zgomotului

Destinația de utilizare

Mașina se folosește pentru tunderea ierbiilor.

Zgomot

Nivelul de zgomot normal ponderat A determinat în conformitate cu EN60335-2-77:

Model DLM480

Nivel de presiune acustică (L_{pA}): 84 dB(A)

Nivel de putere acustică (L_{WA}): 92 dB (A)

Marjă de eroare (K): 3 dB(A)

Model DLM481

Nivel de presiune acustică (L_{pA}): 84 dB(A)

Nivel de putere acustică (L_{WA}): 92 dB (A)

Marjă de eroare (K): 3 dB(A)

Model DLM538

Nivel de presiune acustică (L_{pA}): 85 dB(A)

Nivel de putere acustică (L_{WA}): 96 dB (A)

Marjă de eroare (K): 3 dB(A)

Model DLM539

Nivel de presiune acustică (L_{pA}): 85 dB(A)

Nivel de putere acustică (L_{WA}): 96 dB (A)

Marjă de eroare (K): 3 dB(A)

NOTĂ: Valoarea (valorile) totală(e) a (ale) emisiilor de zgomot declarate a(u) fost măsurată(e) în conformitate cu o metodă de test standard și poate (pot) fi utilizată(e) pentru compararea unei uneelte cu alta.

NOTĂ: Valoarea (valorile) totală(e) a (ale) emisiilor de zgomot declarate poate (pot) fi, de asemenea, utilizată(e) într-o evaluare preliminară a expunerii.

AVERTIZARE: Purtați echipament de protecție pentru urechi.

AVERTIZARE: Emisiile de zgomot în timpul utilizării efective a unelei electrice poate diferi de valoarea (valorile) nivelului declarat, în funcție de modul în care unealta este utilizată, în special ce fel de piesă este prelucrată.

AVERTIZARE: Asigurați-vă că identificați măsurile de siguranță pentru a proteja operatorul, acestea fiind bazate pe o estimare a expunerii în condiții reale de utilizare (luând în considerare toate părțile ciclului de operare, precum timpii în care unealta a fost oprită, sau a funcționat în gol, pe lângă timpul de declanșare).

Vibrații

Valoarea totală a vibrațiilor (suma vectorilor tri-axiali) determinată conform EN60335-2-77:

Model DLM480

Emisie de vibrații (a_h): 2,5 m/s² sau mai puțin

Marjă de eroare (K): 1,5 m/s²

Model DLM481

Emisie de vibrații (a_h): 2,5 m/s² sau mai puțin

Marjă de eroare (K): 1,5 m/s²

Model DLM538

Emisie de vibrații (a_h): 2,5 m/s² sau mai puțin

Marjă de eroare (K): 1,5 m/s²

Model DLM539

Emisie de vibrații (a_h): 2,5 m/s² sau mai puțin

Marjă de eroare (K): 1,5 m/s²

NOTĂ: Valoarea (valorile) totală(e) a (ale) nivelului de vibrații declarat a (au) fost măsurată(e) în conformitate cu o metodă de test standard și poate (pot) fi utilizată(e) pentru compararea unei uneelte cu alta.

NOTĂ: Valoarea (valorile) totală(e) a (ale) nivelului de vibrații declarat poate (pot) fi, de asemenea, utilizată(e) într-o evaluare preliminară a expunerii.

AVERTIZARE: Nivelul de vibrații în timpul utilizării efective a unelei electrice poate diferi de valoarea (valorile) nivelului declarat, în funcție de modul în care unealta este utilizată, în special ce fel de piesă este prelucrată.

AVERTIZARE: Asigurați-vă că identificați măsurile de siguranță pentru a proteja operatorul, acestea fiind bazate pe o estimare a expunerii în condiții reale de utilizare (luând în considerare toate părțile ciclului de operare, precum timpii în care unealta a fost oprită, sau a funcționat în gol, pe lângă timpul de declanșare).

Declarație de conformitate CE

Numai pentru țările europene

Declarația de conformitate CE este inclusă ca Anexa A în acest manual de instrucțiuni.

AVERTIZĂRI DE SIGURANȚĂ

Avertismente generale de siguranță pentru mașinile electrice

⚠️ AVERTIZARE: Citiți toate avertismentele privind siguranța, instrucțiunile, ilustrațiile și specificațiile furnizate cu această sculă electrică. Nerespectarea integrală a instrucțiunilor de mai jos poate cauza electrocutări, incendii și/sau vătămări corporale grave.

Păstrați toate avertismentele și instrucțiunile pentru consultări ulterioare.

Termenul „mașină electrică” din avertizări se referă la mașinile dumneavoastră electrice acționate de la rețea (prin cablu) sau cu acumulator (fără cablu).

Avertizări privind siguranța pentru mașina de tuns iarba fără cablu

1. **Nu utilizați mașina de tuns iarba în condiții de vreme nefavorabilă, în special când există riscul de descărcări electrice.** Astfel, reduceți riscul de a fi lovit de fulger.
2. **Inspectați cu atenție zona în care va fi utilizată mașina de tuns iarba, pentru a verifica dacă sunt animale sălbatice.** Animalele sălbatice pot fi rănite de mașina de tuns iarba în timpul funcționării.
3. **Inspectați cu atenție zona în care va fi utilizată mașina de tuns iarba și îndepărtați toate pietrele, bețele, sârmele, oasele și alte obiecte străine.** Obiectele aruncate pot provoca vătămări corporale.
4. **Înainte de a folosi mașina de tuns iarba, inspectați vizual pânza și ansamblul pânzei, pentru ca acestea să nu fie uzate sau deteriorate.** Piesele uzate sau deteriorate cresc riscul de rănire.
5. **Verificați frecvent opritorul pentru iarbă, pentru a detecta semne de uzură sau deteriorare.** Un opritor pentru iarbă uzat sau deteriorat poate crește riscul de vătămare corporală.
6. **Păstrați apărătorile în poziție. Apărătorile trebuie să fie în stare de funcționare și să fie montate adecvat.** O apărătoare care este slăbită, deteriorată sau care nu funcționează corect poate cauza vătămări corporale.
7. **Curățați resturile din toate admisile aerului de răcire.** Admisile de aer blocate și resturile pot provoca supraîncălzirea sau riscul de incendiu.
8. **În timpul utilizării mașinii de tuns iarba, purtați întotdeauna încălțăminte neaderentă de protecție.** Nu utilizați mașina de tuns iarba cu picioarele goale sau purtând sandale. Astfel, reduceți posibilitatea de a vă răni picioarele la contactul cu pânza aflată în mișcare.
9. **În timpul utilizării mașinii de tuns iarba, purtați întotdeauna pantaloni lungi.** Pielea expusă crește probabilitatea de rănire din cauza obiectelor aruncate.

10. **Nu utilizați mașina de tuns iarba pe iarba udă. Nu alergați niciodată.** Astfel, reduceți riscul de alunecare și cădere, ceea ce poate cauza vătămări corporale.
11. **Nu utilizați mașina de tuns iarba pe pante excesiv de abrupte.** Acest lucru implică riscul de pierdere a controlului, alunecare și cădere, ceea ce poate cauza vătămări corporale.
12. **Atunci când lucrați pe pante, asigurați-vă întotdeauna că aveți un echilibru bun, că întotdeauna lucrați transversal pe pante, niciodată în sus sau în jos, și că acordați foarte mare atenție atunci când schimbați direcția.** Acest lucru implică riscul de pierdere a controlului, alunecare și cădere, ceea ce poate cauza vătămări corporale.
13. **Procedați cu maximă atenție atunci când vă deplasați cu spatele sau când trageți mașina de tuns iarba spre dumneavoastră. Fiți atenți mereu la ceea ce se întâmplă în jur.** Astfel, reduceți riscul de împiedicare în timpul funcționării.
14. **Nu atingeți pânzele și alte piese periculoase aflate în mișcare până nu s-au oprit.** Astfel, reduceți riscul de rănire din cauza pieselor aflate în mișcare.
15. **Atunci când îndepărtați materialul blocat în mașina de tuns iarba sau efectuați operațiuni de curățare a acesteia, asigurați-vă că toate comutatoarele de alimentare sunt oprite și că grupul de acumulatori este deconectat.** Pornirea neașteptată a mașinii de tuns iarba poate provoca vătămări corporale grave.

PĂSTRAȚI ACESTE INSTRUCȚIUNI.

⚠️ AVERTIZARE: NU permiteți comodității și familiarizării cu produsul (obținute prin utilizare repetată) să înlocuiască respectarea strictă a normelor de securitate pentru acest produs.

FOLOSIREA INCORECTĂ sau nerespectarea normelor de securitate din acest manual de instrucțiuni poate provoca vătămări corporale grave.

INSTRUCȚIUNI IMPORTANTE PRIVIND SIGURANȚA

⚠️ AVERTIZARE: Citiți toate avertismentele de siguranță și toate instrucțiunile. Nerespectarea acestor avertismente și instrucțiuni poate avea ca rezultat electrocutarea, incendiul și/sau rănirea gravă.

Păstrați toate avertismentele și instrucțiunile pentru consultări ulterioare.

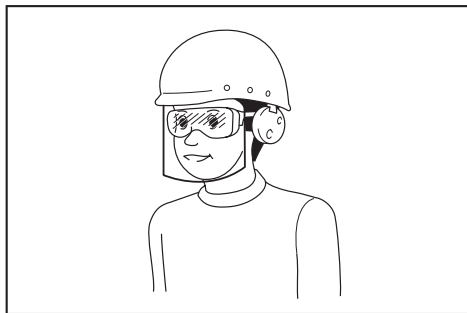
Instruire

1. **Citiți cu atenție instrucțiunile. Familiarizați-vă cu comenzile și cu utilizarea corectă a mașinii de tuns iarba.**
2. **Nu permiteți niciodată copiilor sau persoanelor care sunt nefamiliarizate cu aceste instrucțiuni să utilizeze mașina de tuns iarba. Reglementările locale pot restricționa vârsta operatorului.**

3. Nu folosiți mașina de tuns iarba când în apropiere se află copii sau animale de companie.
4. Amintiți-vă că operatorul sau utilizatorul este responsabil de accidentele sau situațiile periculoase antrenate de utilizarea mașinii, cauzate altor persoane sau bunurilor acestora.
5. Copiii trebuie supravegheați, pentru a vă asigura că aceștia nu au acces la mașina de tuns iarba.
6. Stare fizică – nu utilizați mașina de tuns iarba atunci când vă aflați sub influența drogurilor, alcoolului sau a oricărui medicament.

Pregătire

1. În timpul folosirii mașinii de tuns iarba, purtați întotdeauna încălțăminte solidă și pantaloni lungi. Nu utilizați mașina de tuns iarba cu picioarele goale sau cu sandale. Evitați să purtați bijuterii sau articole de îmbrăcăminte largi sau cu cordonae sau șnururi care atârnă. Acestea ar putea fi prinse în piesele mobile.
2. Înainte de utilizare, verificați întotdeauna vizual mașina de tuns iarba pentru a vedea dacă apărătorile sau protecțiile sunt deteriorate, lipsesc sau sunt fixate necorespunzător.
3. Asigurați-vă că în zonă nu se află alte persoane înainte de a tunde iarba. Opriiți mașina de tuns iarba dacă întră o persoană în zonă.
4. Nu introduceți cheia de blocare în mașina de tuns iarba până când aceasta nu este gata de utilizare.
5. Purtați întotdeauna ochelari de protecție pentru a vă proteja ochii contra rănirii atunci când utilizați unelte electrice. Ochelarii trebuie să fie în conformitate cu ANSI Z87.1 în S.U.A., EN 166 în Europa sau AS/NZS 1336 în Australia/ Noua Zeelandă. În Australia/Noua Zeelandă se solicită în mod legal și purtarea unei măști obligatorii pentru a vă proteja fața.



Intră în responsabilitatea angajatorului să impună utilizarea unor echipamente de protecție și siguranță adecvate de către utilizatorii mașinii și de către celelalte persoane din imediata apropiere a zonei de lucru.

6. Înainte de folosire, verificați atent dacă pânzele sau șuruburile pânzelor prezintă fisuri sau deteriorări. Înlocuiți imediat pânzele sau șuruburile pânzelor fisurate ori deteriorate.
7. Înlăturați corpurile străine, cum ar fi pietrele, sârmele, sticlele, oasele și bețele mari, din zona de lucru înainte de a tunde iarba pentru a preveni vătămrile personale sau deteriorarea mașinii.

8. Obiectele lovite de pânza mașinii de tuns iarba pot cauza leziuni severe persoanelor. Gazonul trebuie întotdeauna examinat cu atenție și degajat de orice obiecte înainte de fiecare operațiune de tuns iarba.
9. Aveți grijă la gropi, șanțuri, denivelări, pietre sau alte obiecte ascunse. Terenul denivelat poate provoca alunecarea și accidente prin cădere. Iarba înaltă poate să ascundă obstacole.
10. Purtați echipamentul personal de protecție. Purtați întotdeauna ochelari de protecție. Echipamentele de protecție precum masca de protecție contra prafului, încălțăminte cu talpă antiderapantă, casca sau protecția pentru urechi utilizate pentru condiții corespunzătoare vor reduce riscul accidentărilor.

Operarea

1. Nu vă întindeți excesiv. Mențineți-vă permanent echilibrul. Asigurați-vă întotdeauna echilibrul atunci când vă deplasați pe suprafețe înclinate. Nu alergați niciodată.
2. Opriiți mașina de tuns iarba, scoateți cheia de blocare și asigurați-vă că toate piesele aflate în mișcare s-au oprit complet:
 - ori de câte ori lăsați mașina nesupravegheată,
 - înainte de a elimina blocajele sau de a desfunda jgheabul,
 - înainte de a controla, curăța sau lucra cu mașina,
 - după ce ați lovit un obiect străin. Verificați mașina pentru a detecta eventuale deteriorări și efectuați reparațiile necesare înainte de a repune în funcțiune și utiliza mașina:
 - de fiecare dată când mașina de tuns iarba începe să vibreze anormal.
3. Nu operați niciodată mașina cu apărătorile sau protecțiile defecte sau fără dispozitivele de siguranță, cum ar fi deflectoarele și/sau separatorul de iarbă, montate.
4. Evitați utilizarea mașinii de tuns iarba în condiții de vreme nefavorabilă, în special când există riscul de descărcări electrice.
5. Purtați permanent ochelari de protecție și încălțăminte rezistentă atunci când utilizați mașina de tuns iarba.
6. Operați mașina de tuns iarba doar la lumina zilei sau la o lumină artificială puternică.
7. Porniți mașina de tuns iarbă cu atenție conform instrucțiunilor, cu picioarele la distanță de lamă(e).
8. Aveți grijă să nu vă răniți picioarele și mâinile cu pânzele mașinii de tuns iarba.
9. Asigurați-vă întotdeauna că orificiile de ventilație nu conțin reziduuri.
10. Tundeți iarba de-a lungul pantei, niciodată în sus sau în jos. Acordați atenție maximă atunci când schimbați direcția pe suprafețele înclinate. Nu tundeți iarba pe o pantă excesiv de abruptă.
11. Procedați cu maximă atenție atunci când vă deplasați în marșarier sau când trageți mașina spre dumneavoastră.

12. Fixați bine lama/lamele dacă mașina trebuie înclinată pentru transport atunci când traversați suprafețe fără iarbă și când transportați mașina de tuns la sau de la locul în care va fi utilizată.
 13. Nu înclinați mașina atunci când porniți motorul, decât dacă mașina trebuie înclinată pentru a porni. În acest caz, nu o înclinați mai mult decât este strict necesar și ridicați numai partea care se află la distanță de operator. Aveți grijă întotdeauna ca ambele mâini să fie în poziția de operare înainte de a pune din nou mașina de tuns iarba pe sol.
 14. Nu apropiați mâinile sau picioarele și nu le țineți sub piesele rotative. Păstrați în permanență distanța față de orificiul de descărcare.
 15. Nu transportați mașina în timp ce este în funcțiune.
 16. Evitați operarea mașinii pe iarba udă.
 17. Țineți întotdeauna strâns mânerul.
 18. Nu apucați lamele de tăiere sau muchiile de tăiere expuse atunci când ridicați sau țineți mașina de tuns iarba.
 19. Țineți mâinile și picioarele la distanță de lamele rotative. Atenție - Lamele se rotesc după ce opriți mașina.
 20. Întrerupeți imediat activitatea dacă observați orice lucru neobișnuit. Opriți mașina de tuns iarba și scoateți cheia de blocare. Apoi inspectați mașina.
 21. Nu încercați niciodată să reglați înălțimea de tăiere în timp ce mașina funcționează, în cazul în care aceasta dispune de o funcție de reglare a înălțimii.
 22. Eliberați pârghia de comutare și așteptați să înceteze rotația pânzelor înainte de a traversa alei, cărări, drumuri și orice zone acoperite cu prundiș. De asemenea, scoateți cheia de blocare dacă lăsați mașina nesupravegheată, dacă vă aplecați să ridicați sau să îndepărtați ceva din drum sau din orice alt motiv care v-ar putea distra atenția de la ceea ce faceți.
 23. În cazul în care mașina de tuns iarba lovește un obiect străin, urmați acești pași:
 - Opriți mașina, eliberați levierul schimbătorului de viteză și așteptați până când lama se oprește complet.
 - Scoateți cheia de blocare și cartușul acumulatorului.
 - Inspectați cu atenție mașina de tuns iarba pentru a detecta eventuale deteriorări.
 - Înlocuiți lama dacă s-a deteriorat în vreun fel.
 Reparați orice defecțiune înainte de a reporni și continua operarea mașinii de tuns iarba.
 24. Nu porniți mașina atunci când vă aflați în fața orificiului de descărcare.
 25. Dacă mașina începe să vibreze anormal (verificați imediat)
 - inspectați pentru a detecta eventuale deteriorări,
 - înlocuiți sau reparați orice piese deteriorate,
 - verificați prezența și strângeți orice piese slăbite.
 26. Nu îndreptați niciodată materialul evacuat spre alte persoane. Evitați evacuarea materialului pe un perete sau un alt obstacol. Materialul poate ricoșa înspre operator. Opriți pânza atunci când treceți peste suprafețe acoperite cu pietriș.
 27. Nu trageți mașina de tuns iarba în sens invers decât dacă este absolut necesar. Dacă trebuie să trageți mașina de tuns iarba în sens invers pentru a reveni de lângă un gard sau alt obstacol similar, priviți în jos și în spate înaintea și în timpul deplasării cu spatele.
 28. Opriți motorul și așteptați până când pânza se oprește complet înainte de a scoate opritorul pentru iarba. Aveți grijă la pânze, care se rotesc liber după oprire.
 29. Dacă folosiți mașina pe terenuri noroioase, pe pante umede sau în locuri alunecoase, fiți atenți la păstrarea echilibrului.
 30. Nu scufundați mașina în bălți de apă.
 31. Atunci când mașina este în funcțiune, fiți atenți la conducte și la cabluri.
- Întreținere și depozitare**
1. Pentru siguranță, înlocuiți componentele uzate sau deteriorate. Utilizați doar piese de schimb și accesorii originale.
 2. Verificați și întrețineți periodic mașina de tuns iarba.
 3. Dacă nu o utilizați, depozitați mașina de tuns iarba departe de raza de acțiune a copiilor.
 4. Mențineți piulițele, bolțurile și șuruburile strânse pentru a vă asigura că echipamentul este în bună stare de funcționare.
 5. Verificați frecvent coșul pentru iarba, pentru a detecta semne de uzură sau deteriorare. Pentru depozitare, asigurați-vă întotdeauna că ați golit coșul pentru iarba. Înlocuiți un coș pentru iarba uzat cu un nou coș de schimb din fabrică pentru siguranță.
 6. Folosiți numai lamele originale ale producătorului specificate în acest manual.
 7. Aveți grijă în timpul reglării mașinii pentru a preveni prinderea degetelor între lamele în mișcare și piesele fixe ale mașinii.
 8. Verificați la intervale frecvente dacă bolțul de montare al lamei este strâns corespunzător.
 9. Lăsați întotdeauna mașina să se răcească înainte de a o depozita.
 10. Când efectuați operațiuni de service asupra lamelor, rețineți că, deși sursa de alimentare este oprită, lamele pot fi mișcate în continuare.
 11. Nu scoateți sau modificați niciodată dispozitivele de siguranță. Verificați periodic funcționarea corespunzătoare a acestora. Nu efectuați niciodată activități care ar putea modifica funcționarea recomandată a unui dispozitiv de siguranță sau ar putea reduce protecția furnizată de un dispozitiv de siguranță.
 12. Nu lăsați mașina nesupravegheată afară, în ploaie.
 13. Atunci când depozitați mașina, evitați expunerea directă a acesteia la lumina soarelui și la ploaie, și amplasați-o într-un loc în care nu se încălzește și nici nu se umezește.
- Utilizarea și îngrijirea acumulatorului mașinii**
1. Efectuați reincărcarea numai cu încărcătorul specificat de producător. Un încărcător adecvat pentru un anumit tip de acumulator poate prezenta risc de incendiu dacă este utilizat cu alt tip de acumulator.

2. **Folosii mașinile electrice numai cu acumulatori special destinate acestora.** Utilizarea altor acumulatori poate prezenta risc de rănire și de incendiu.
3. **Când nu folosiți cartușul de acumulatori, țineți-l la distanță de obiecte metalice precum agrafe de birou, monede, chei, cuie, șuruburi sau alte obiecte metalice mici, ce pot constitui o legătură între cele două borne.** Scurtcircuitarea bornelor acumulatorului poate provoca arsuri sau incendii.
4. **În condiții extreme, lichidul poate fi eliminat din acumulator; evitați contactul cu acesta. Dacă intrați în contact accidental, clătiți bine cu apă zona afectată. Dacă lichidul intră în contact cu ochii, consultați și un medic.** Lichidul eliminat din acumulator poate provoca iritații sau arsuri.
5. **Nu utilizați un acumulator sau o unealtă care este avariată sau modificată.** Bateriile avariate sau modificate pot prezenta comportament imprevizibil ce poate cauza incendii, explozii sau risc de rănire.
6. **Nu expuneți un acumulator sau o unealtă la foc sau la temperaturi excesive.** Expunerea la foc sau la temperaturi mai mari de 130 °C poate cauza explozii.
7. **Urmați toate instrucțiunile de încărcare și nu încărcăți acumulatorul sau unealta la temperaturi din afara intervalului specificat în instrucțiuni.** Încărcarea incorectă sau la temperaturi din afara intervalului specificat poate cauza deteriorarea bateriei și creșterea riscului de incendiu.

Siguranța electrică și a acumulatorului

1. **Nu aruncați acumulatorul(ii) în foc.** Elementul poate exploda. Consultați codurile locale pentru posibile instrucțiuni speciale privind eliminarea.
2. **Nu deschideți și nu dezmembrați acumulator(ii).** Electrolitul eliberat este coroziv și poate cauza afecțiuni ale pielii și ochilor. Acesta poate fi toxic dacă este înghițit.
3. **Nu încărcăți bateria în ploaie sau în zone cu umezeală.**
4. **Nu încărcăți acumulatorul în exterior.**
5. **Nu manipulați încărcătorul, inclusiv fișa și bornele acestuia, cu mâinile ude.**
6. **Nu înlocuiți acumulatorul pe timp de ploaie.**
7. **Nu umeziți bornele acumulatorului cu lichid precum apă și nu scufundați acumulatorul în apă.** Nu lăsați acumulatorul în ploaie și nu încărcăți, nu utilizați sau nu depozitați acumulatorul într-un loc umed sau ud. Dacă bornele se udă sau intră lichid în acumulator, acumulatorul poate fi scurtcircuitat și există riscul de supraîncălzire, ardere sau explozie.
8. **După ce scoateți acumulatorul din mașină sau din încărcător, asigurați-vă că atașați capacul acumulatorului la acumulator și că îl depozitați într-un loc uscat.**
9. **Nu înlocuiți acumulatorul cu mâinile umede.**
10. **Evitați mediile periculoase. Nu utilizați mașina în locuri cu umezeală și nu o expuneți la ploaie.** Dacă intră apă în mașină, crește riscul de electrocutare.

11. **În cazul în care cartușul acumulatorului se udă, scurgeți apa din interior și uscați-l cu o pănză uscată. Lăsați cartușul acumulatorului să se usce complet într-un loc uscat, înainte de utilizare.**

Service

1. **Mașina electrică trebuie să fie reparată de un expert, folosind piese identice de schimb.** Astfel se mențin siguranța și fiabilitatea mașinii electrice.
2. **Nu reparați niciodată acumulatorii avariate.** Repararea acumulatorilor trebuie efectuată numai de către producător sau de furnizorii de service autorizați.

PĂSTRAȚI ACESTE INSTRUCȚIUNI.

⚠️ AVERTIZARE: NU permiteți comodității și familiarizării cu produsul (obținute prin utilizare repetată) să înlocuiască respectarea strictă a normelor de securitate pentru acest produs.

FOLOSIREA INCORECTĂ sau nerespectarea normelor de securitate din acest manual de instrucțiuni poate provoca vătămări corporale grave.

Instrucțiuni importante privind siguranța pentru cartușul acumulatorului

1. **Înainte de a folosi cartușul acumulatorului, citiți toate instrucțiunile și atenționările de pe (1) încărcătorul acumulatorului, (2) acumulator și (3) produsul care folosește acumulatorul.**
 2. **Nu dezasamblați și nu interveniți asupra cartușului acumulatorului.** Acest lucru poate cauza incendii, căldură excesivă sau explozii.
 3. **Dacă timpul de funcționare s-a redus excesiv, întrerupeți imediat funcționarea.** Aceasta poate prezenta risc de supraîncălzire, posibile arsuri și chiar explozie.
 4. **Dacă electrolitul pătrunde în ochi, clătiți bine ochii cu apă curată și consultați imediat un medic.** Există risc de orbire.
 5. **Nu scurtcircuitați cartușul acumulatorului:**
 - (1) **Nu atingeți bornele cu niciun material conductor.**
 - (2) **Evitați depozitarea cartușului acumulatorului la un loc cu alte obiecte metalice cum ar fi cuie, monede etc.**
 - (3) **Nu expuneți cartușul acumulatorului la apă sau ploaie.**
- Un scurtcircuit al acumulatorului poate provoca un flux puternic de curent electric, supraîncălzire, posibile arsuri și chiar defectarea mașinii.**
6. **Nu depozitați și nu utilizați mașina și cartușul acumulatorului în locuri în care temperatura poate atinge sau depăși 50 °C (122 °F).**
 7. **Nu incinerăți cartușul acumulatorului chiar dacă acesta este grav deteriorat sau complet uzat.** Cartușul acumulatorului poate exploda în foc.

8. **Nu introduceți cuie în cartușul acumulatorului, nu îl tăiați, striviți, aruncați sau scăpați și nu îl loviți cu un obiect dur.** Astfel de acțiuni pot provoca incendii, căldură excesivă sau explozii.
9. **Nu utilizați un acumulator deteriorat.**
10. **Acumulatorii Li-Ion încorporați se supun cerințelor Legislației privind substanțele periculoase.**
 Pentru transporturi comerciale, efectuate de exemplu de către părți terțe, expeditori, trebuie respectate cerințele speciale de ambalare și etichetare.
 Pentru pregătirea articolului care urmează să fie expedit, este necesară consultarea unui expert în materiale periculoase. Vă rugăm să respectați, de asemenea, reglementările naționale, care pot fi mai detaliate.
 Izolați sau acoperiți contactele deschise și împachetați acumulatorul în așa fel încât să nu se poată mișca în ambalaj.
11. **Atunci când eliminați la deșeurii cartușul acumulatorului, scoateți-l din mașină și eliminați-l într-un loc sigur. Respectați normele naționale privind eliminarea la deșeurii a acumulatorului.**
12. **Utilizați acumulatoroarele numai cu produsele specificate de Makita.** Instalarea acumulatorilor în produse neconforme poate cauza incendii, căldură excesivă, explozii sau scurgeri de electrolit.
13. **Dacă mașina nu este utilizată o perioadă lungă de timp, acumulatorul trebuie scos din acesta.**
14. **În timpul utilizării și după aceea, cartușul acumulatorului se poate încălzi, ceea ce poate cauza arsuri sau arsuri la temperaturi scăzute. Fiți atenți la manipularea cartușelor de acumulator atunci când sunt fierbinți.**
15. **Nu atingeți borna mașinii imediat după utilizare, întrucât se poate încălzi foarte tare și poate provoca arsuri.**
16. **Nu lăsați să pătrundă așchii, praf sau pământ în borne, în orificii și în canelurile cartușului acumulatorului.** Acest lucru poate provoca încălzirea, aprinderea, explozia și defectarea mașinii sau a cartușului acumulatorului, cauzând arsuri sau vătămări corporale.
17. **Nu utilizați cartușul acumulatorului în apropierea liniilor electrice de înaltă tensiune, cu excepția cazului în care mașina suportă utilizarea în apropierea liniilor electrice de înaltă tensiune.** Acest lucru poate duce la funcționarea necorespunzătoare sau la defectarea mașinii sau a cartușului acumulatorului.
18. **Țineți acumulatorul la distanță de copii.**

PĂSTRAȚI ACESTE INSTRUCȚIUNI.

⚠ATENȚIE: Folosiți numai acumulatori Makita originali. Acumulatorii Makita care nu sunt originali și acumulatorii care au suferit modificări se pot aprinde, provocând incendii, leziuni corporale și daune. De asemenea, anulează garanția oferită de Makita pentru unealta și încărcătorul Makita.

Sfaturi pentru obținerea unei durate maxime de exploatare a acumulatorului

1. **Încărcați cartușul acumulatorului înainte de a se descărca complet.** Întrerupeți întotdeauna funcționarea mașinii și încărcați cartușul acumulatorului când observați o scădere a puterii mașinii.
2. **Nu reîncărcați niciodată un acumulator complet încărcat.** Supraîncărcarea va scurta durata de exploatare a acumulatorului.
3. **Încărcați cartușul acumulatorului la temperatura camerei, între 10 °C - 40 °C (50 °F - 104 °F).** Lăsați un acumulator fierbinte să se răcească înainte de a-l încărca.
4. **Atunci când nu utilizați cartușul acumulatorului, scoateți-l din mașină sau din încărcător.**
5. **Încărcați cartușul acumulatorului în cazul în care nu a fost utilizat pe o perioadă mai lungă (mai mult de șase luni).**

ASAMBLARE

⚠AVERTIZARE: Aveți grijă întotdeauna să scoateți cheia de blocare și cartușul de acumulator înainte de a efectua orice activitate cu mașina de tuns iarba. Dacă nu scoateți cheia de blocare și cartușul de acumulator, puteți suferi leziuni corporale grave din cauza pornirii accidentale.

⚠AVERTIZARE: Nu porniți niciodată mașina dacă aceasta nu este complet asamblată. Utilizarea mașinii care este asamblată numai parțial poate provoca accidentări grave cauzate de pornirea accidentală.

Montarea mânerului

NOTĂ: La montarea mânerelor, aveți grijă să nu prindeți cablul între mâner. Este posibil ca mașina să nu pornească dacă este deteriorat cablul.

1. Aliniați orificiul din mânerul inferior cu orificiul din mânerul superior, apoi introduceți șurubul dinspre exterior și strângeți piulița moletată dinspre interior. Efectuați aceeași procedură și pe partea cealaltă.

Pentru DLM481/DLM539

- **Fig.1:** 1. Șurub 2. Piuliță moletată 3. Mâner inferior 4. Mâner superior

Pentru DLM480/DLM538

- **Fig.2:** 1. Șurub 2. Piuliță moletată 3. Mâner inferior 4. Mâner superior

2. Rotiți butonul rotativ la 90°, în timp ce trageți butonul rotativ de pe mânerul inferior pentru a elibera știftul de blocare. Efectuați aceeași procedură și pe partea cealaltă. Ridicați mânerul, apoi rotiți butonul rotativ de pe ambele părți la 90°. Asigurați-vă că butoanele rotative sunt bine fixate.

- **Fig.3:** 1. Buton rotativ

NOTĂ: Sprijinirea mânerului facilitează eliberarea știftului de blocare atunci când trageți butonul rotativ.

Scoaterea accesoriului de mulcire

1. Deschideți capacul posterior.
▶ **Fig.4:** 1. Capac posterior
2. Ridicați ușor accesoriul de mulcire, apoi scoateți-l.
▶ **Fig.5:** 1. Accesoriu de mulcire

Asamblarea coșului pentru iarbă

1. Ridicați clema din partea de sus a coșului pentru iarbă.
▶ **Fig.6:** 1. Clema din partea de sus
2. Introduceți cadrul în coșul pentru iarbă până la capăt în timp ce țineți de mânerul cadrului.
▶ **Fig.7:** 1. Mâner

NOTĂ: Nu introduceți mânerul în coșul pentru iarbă. Asigurați-vă că introduceți cadrul de-a lungul creștăturii coșului pentru iarbă.

3. Asigurați-vă că colțurile coșului pentru iarbă nu sunt deformate.
▶ **Fig.8**
4. Deschideți clema din partea de sus și atașați-o la cadru.
▶ **Fig.9**
5. Atașați toate celelalte cleme astfel cum se arată în figură. Asigurați-vă că toate clemele sunt prinse bine de cadru.
▶ **Fig.10:** 1. Clemă

Montarea sau demontarea coșului pentru iarbă

Pentru a monta coșul pentru iarbă, urmați pașii de mai jos.

1. Deschideți capacul posterior.
▶ **Fig.11:** 1. Capac posterior
2. Țineți mânerul coșului pentru iarbă și apoi conectați coșul la tija corpului mașinii de tuns iarba, așa cum se arată în figură.
▶ **Fig.12:** 1. Coș pentru iarbă 2. Mâner 3. Tijă

Pentru a îndepărta coșul pentru iarbă, deschideți capacul din spate, apoi scoateți coșul pentru iarbă ținând de mâner.

Montarea accesoriului de mulcire

1. Deschideți capacul posterior, iar apoi demontați coșul pentru iarbă.
▶ **Fig.13:** 1. Capac posterior 2. Coș pentru iarbă
2. Atașați accesoriul de mulcire prin împingerea acestuia până la capăt, astfel încât proeminențele de pe accesoriul de mulcire să se fixeze în orificiile de pe mașină.
▶ **Fig.14:** 1. Accesoriu de mulcire 2. Proeminență

DESCRIEREA FUNCȚIILOR

Instalarea sau scoaterea cartușului acumulatorului

⚠ATENȚIE: Întotdeauna opriți mașina înainte de montarea sau demontarea cartușului acumulatorului.

⚠ATENȚIE: Țineți ferm mașina și cartușul acumulatorului la instalarea sau scoaterea cartușului acumulatorului. În caz contrar, acestea vă pot aluneca din mâini, ceea ce poate conduce la defectarea mașinii și a cartușului acumulatorului, precum și la vătămări corporale.

⚠ATENȚIE: Asigurați-vă că blocați capacul acumulatorului înainte de utilizare. În caz contrar, noroiul, murdăria sau apa pot cauza defectarea produsului sau a cartușului de acumulator.

⚠ATENȚIE: Introduceți întotdeauna complet cartușul acumulatorului, până când indicatorul roșu nu mai este vizibil. În caz contrar, acesta poate cădea accidental din mașină, provocând rănirea dumneavoastră sau a persoanelor din jur.

⚠ATENȚIE: Nu forțați cartușul acumulatorului la montare. Dacă acesta nu glisează ușor, înseamnă că a fost introdus incorect.

⚠ATENȚIE: Țineți ferm capacul acumulatorului la instalarea sau la scoaterea cartușului acumulatorului.

NOTĂ: Mașina nu funcționează doar cu un singur cartuș de acumulator.

Pentru montarea cartușului de acumulator:

1. Trageți în sus de pârghia de blocare și apoi deschideți capacul acumulatorului.

▶ **Fig.15:** 1. Capacul acumulatorului 2. Pârghie de blocare

2. Aliniați limba de pe cartușul acumulatorului cu orificiul mașinii, apoi glisați cartușul până când se fixează în poziție cu un clic.

▶ **Fig.16:** 1. Cartușul acumulatorului

3. Introduceți cheia de blocare în locul indicat în figură până la capăt.

▶ **Fig.17:** 1. Cheie de blocare

4. Închideți capacul de acumulator și apăsați pe el până când se cuplează cu pârghia de blocare.

Pentru demontarea cartușului de acumulator:

1. Trageți în sus de pârghia de blocare și deschideți capacul acumulatorului.

2. Trageți cartușul acumulatorului din mașină în timp ce glisați butonul de pe partea frontală a cartușului.

3. Scoateți cheia de blocare.

4. Închideți capacul de acumulator.

Sistem de protecție mașină/acumulator

Mașina este prevăzută cu un sistem de protecție a mașinii/acumulatorului. Acest sistem întrerupe automat alimentarea motorului pentru a extinde durata de funcționare a mașinii și a acumulatorului. Mașina se va opri automat în timpul funcționării dacă mașina sau acumulatorul se află într-una dintre situațiile următoare:

Protecție la suprasarcină

Atunci când acumulatorul este utilizat într-un mod care cauzează un consum de curent neobișnuit de ridicat, mașina se va opri automat și indicatorul sursei de alimentare principale emite o lumină verde intermitentă. În această situație, opriți mașina și întrerupeți aplicația care a dus la suprasolicitarea mașinii. Apoi, reporniți mașina.

Protecție la supraîncălzire

Dacă mașina sau acumulatorul se supraîncălzește, mașina se oprește automat și indicatorul sursei de alimentare emite o lumină roșie. În acest caz, lăsați mașina și acumulatorul să se răcească înainte de a reporni mașina.

Protecție la supradescărcare

În cazul în care capacitatea acumulatorului nu este suficientă, mașina se oprește automat și indicatorul sursei de alimentare emite o lumină roșie intermitentă. În acest caz, scoateți acumulatorul din mașină și încărcați cartușele acumulatorului sau schimbați cartușele acumulatorului cu unele complet încărcate.

Măsurile de protecție împotriva altor cauze

Sistemul de protecție este, de asemenea, conceput pentru alte cauze care ar putea deteriora mașina și îi permite acestuia să se oprească automat. Parcurgeți toți pașii următori pentru a elimina cauzele, atunci când mașina a fost oprită temporar sau a fost scoasă din funcțiune.

1. Opriți mașina, apoi porniți-o din nou pentru a relua.
2. Încărcați acumulatorul (acumulatorii) sau înlocuiți-l (înlocuiți-i) cu un acumulator (acumulatori) încărcat (încărcați).
3. Lăsați mașina și acumulatorul (acumulatorii) să se răcească.

Dacă nu se poate observa nicio îmbunătățire prin resetarea sistemului de protecție, contactați centrul local de service Makita.

NOTĂ: Dacă mașina se oprește dintr-o cauză diferită de cele prezentate mai sus, consultați secțiunea referitoare la depanare.

Indicarea capacității rămase a acumulatorului

► **Fig.18:** 1. Indicator acumulator











Când capacitatea rămasă a acumulatorului scade, indicatorul luminează intermitent pe partea corespunzătoare a acumulatorului. Dacă continuați să o utilizați, mașina se oprește și indicatorul acumulatorului se aprinde. În această situație, încărcați cartușul acumulatorului.

Indicarea capacității rămase a acumulatorului

Numai pentru cartușe de acumulator cu indicator

► **Fig.19:** 1. Lămpi indicatoare 2. Buton de verificare

Apăsăți butonul de verificare de pe cartușul acumulatorului, astfel încât să se indice capacitățile rămase ale acumulatorului. Lămpile indicatorului vor lumina timp de câteva secunde.

Lămpi indicatoare			Capacitate rămasă
 Iluminat	 Oprit	 Iluminare intermitentă	
			Între 75% și 100%
			Între 50% și 75%
			Între 25% și 50%
			Între 0% și 25%
			Încărcați acumulatorul.
			Este posibil ca acumulatorul să fie defect.

NOTĂ: În funcție de condițiile de utilizare și temperatura ambientală, indicația poate fi ușor diferită de capacitatea reală.

NOTĂ: Prima lampă indicatoare (extremitatea stângă) va lumina intermitent când sistemul de protecție a acumulatorului funcționează.

Înterupător de alimentare principal

⚠️ AVERTIZARE: Opriți întotdeauna înterupătorul de alimentare principal atunci când nu utilizați unealta.

► **Fig.20:** 1. Indicator alimentare principală
2. Înterupător de alimentare principal

Pentru a porni mașina, apăsați înterupătorul de alimentare principal. Indicatorul de alimentare principal emite o lumină verde. Pentru a opri mașina, apăsați din nou înterupătorul de alimentare principal.

NOTĂ: Dacă indicatorul sursei de alimentare emite o lumină roșie sau o lumină roșie sau verde intermitentă, consultați instrucțiunile sistemului de protecție a mașinii/acumulatorului.

NOTĂ: Această mașină este dotată cu funcția de oprire automată. Pentru a evita pornirea neintenționată, întrerupătorul de alimentare principal se va închide automat dacă pârghia de comutare și pârghia de acțiune (dacă există ca dotare) nu sunt trase pentru o anumită perioadă de timp după pornirea acestuia.

Acționarea întrerupătorului

AVERTIZARE: Înainte de a instala cartușul acumulatorului, verificați întotdeauna dacă pârghia de comutare funcționează corect și revine în poziția inițială după ce este eliberată. Utilizarea mașinii cu un comutator care nu funcționează corect poate duce la pierderea controlului și la accidente grave.

NOTĂ: Mașina de tuns iarba nu pornește fără a apăsa pe butonul de comutare chiar dacă levierul schimbătorului de viteză este tras.

NOTĂ: Este posibil ca mașina de tuns iarba să nu pornească din cauza supraîncărcării atunci când încercați să tundeți iarbă înaltă sau deasă dintr-o dată. În acest caz, măriți înălțimea de tundere.

Această mașină de tuns iarba este prevăzută cu o cheie de blocare și cu un comutator cu mâner. Dacă observați ceva neobișnuit la cheia de blocare sau la comutator, opriți imediat funcționarea și solicitați verificarea acestora de către cel mai apropiat Centru de service autorizat Makita.

Pentru DLM481/DLM539

1. Montați cartușele de acumulator. Introduceți cheia de blocare și apoi închideți capacul acumulatorului.
2. Apăsați întrerupătorul de alimentare principal.
3. Trageți pârghia de comutare spre dumneavoastră în timp ce țineți apăsat butonul comutator. Eliberați butonul comutator de îndată ce motorul începe să funcționeze.
- ▶ **Fig.21:** 1. Buton comutator 2. Levier de comutare
4. În timp ce țineți pârghia de comutare, împingeți pârghia de acțiune în față și mențineți-o în această poziție pentru a acționa roțile din spate.
- ▶ **Fig.22:** 1. Pârghie de acțiune

NOTĂ: Puteți acționa roțile din spate împingând pârghia de acțiune în față și menținând-o în această poziție, fără a trage pârghia de comutare.

5. Pentru a opri mașina, eliberați pârghia de acțiune și pârghia de comutare.

Pentru DLM480/DLM538

1. Montați cartușele de acumulator. Introduceți cheia de blocare și apoi închideți capacul acumulatorului.
2. Apăsați întrerupătorul de alimentare principal.
3. Trageți pârghia de comutare spre dumneavoastră în timp ce țineți apăsat butonul comutator. Eliberați butonul comutator de îndată ce motorul începe să funcționeze.
- ▶ **Fig.23:** 1. Buton comutator 2. Levier de comutare
4. Eliberați pârghia de comutare pentru a opri motorul.

Reglarea înălțimii de tundere a ierbii

AVERTIZARE: Nu țineți niciodată mâna sau piciorul sub mașină atunci când reglați înălțimea de tundere a ierbii.

AVERTIZARE: Asigurați-vă întotdeauna că pârghia se potrivește corect în canelură înainte de funcționare.

Înălțimea de tundere a ierbii poate fi reglată în intervalul 20 mm și 100 mm.

Scoateți cheia de blocare și trageți maneta de reglare a înălțimii de tundere în exteriorul corpului mașinii de tuns, reglând-o la înălțimea de tuns dorită.

▶ **Fig.24:** 1. Manetă de reglare a înălțimii de tundere a ierbii

Tablelul de mai jos prezintă relația dintre numărul de pe corpul mașinii de tuns iarba și înălțimea aproximativă de tăiere a ierbii.

Număr	Înălțimea de tăiere a ierbii
1	20 mm
2	26 mm
3	32 mm
4	40 mm
5	49 mm
6	59 mm
7	70 mm
8	81 mm
9	92 mm
10	100 mm

Țineți mânerul inferior cu o mână și apoi deplasați maneta de reglare a înălțimii de tundere a ierbii cu cealaltă mână.

▶ **Fig.25:** 1. Manetă de reglare a înălțimii de tundere a ierbii 2. Mâner inferior

NOTĂ: Figurile care ilustrează înălțimea de tundere a ierbii se folosesc doar ca indicație orientativă. În funcție de iarbă sau de sol, înălțimea efectivă a ierbii poate fi ușor diferită de înălțimea setată.

NOTĂ: Încercați ca test să tundeți iarbă într-un loc mai puțin vizibil pentru a obține înălțimea dorită.

Indicator nivel iarbă

Indicatorul nivelului ierbii indică volumul ierbii tunse. Când coșul pentru iarbă nu este plin, indicatorul se mișcă în timp ce pânzele mașinii de tuns iarba sunt în funcțiune.

▶ **Fig.26:** 1. Indicator nivel iarbă

Când coșul pentru iarbă este aproape plin, indicatorul nu se mișcă în timp ce pânzele mașinii de tuns iarba sunt în funcțiune. În acest caz, opriți imediat operația și goliți coșul.

▶ **Fig.27:** 1. Indicator nivel iarbă

NOTĂ: Acest indicator este un ghidaj aproximativ. În funcție de condițiile din interiorul coșului, este posibil ca acest indicator să nu funcționeze corect.

Reglarea înălțimii mânerului

Înălțimea mânerului poate fi reglată la două niveluri.

1. Țineți mânerul inferior, iar apoi rotiți butonul rotativ la 90°, în timp ce trageți butonul rotativ de pe mânerul inferior pentru a elibera știftul de blocare. Efectuați aceeași procedură și pe partea cealaltă.

► **Fig.28:** 1. Mâner inferior 2. Buton rotativ

NOTĂ: Sprijinirea mânerului facilitează eliberarea știftului de blocare atunci când trageți butonul rotativ.

2. Reglați înălțimea mânerului, apoi rotiți butonul rotativ de pe ambele părți la 90°. Asigurați-vă că butoanele rotative sunt bine fixate.

► **Fig.29:** 1. Buton rotativ

Reglarea vitezei de deplasare

Pentru DLM481/DLM539

► **Fig.30:** 1. Pârghie de viteză

Viteza de deplasare poate fi reglată cu ajutorul pârghiei de viteză. Pentru a reduce viteza, trageți pârghia spre dumneavoastră și pentru a crește viteza, rotiți pârghia în față.

Utilizarea accesoriului de mulcire

Accesorii de mulcire vă permite să readuceți iarba tăiată pe sol fără a strânge iarba tăiată în coșul pentru iarbă. Atunci când utilizați mașina cu accesoriul de mulcire, aveți grijă să demontați coșul pentru iarbă.

NOTĂ: Atunci când utilizați mașina cu accesoriul de mulcire, asigurați-vă că lungimea totală a ierbii după tăiere este de cel puțin 30 mm, iar lungimea de tăiere este de cel mult 15 mm.

► **Fig.31:** (1) 30 mm (2) 15 mm

Utilizarea accesoriului pentru descărcare prin spate

Utilizarea accesoriului pentru descărcare prin spate vă permite să descărcați iarba tăiată pe sol din partea din spate a mașinii fără a strânge iarba tăiată în coșul pentru iarbă.

Atunci când utilizați mașina cu accesoriul pentru descărcare prin spate, aveți grijă să demontați coșul pentru iarbă și accesoriul de mulcire și închideți capacul posterior.

Funcție electronică

Mașina este echipată cu funcții electronice pentru a utiliza energie facilă.

- Pornire lină la acționare
Funcția de pornire lină minimizează șocul de pornire și permite o pornire lină a mașinii.
- Frână electrică
Această mașină este echipată cu frână electrică. Dacă în repetate rânduri mașina nu oprește rapid pânzele după eliberarea pârghiei de comutare, solicitați repararea acesteia de către cel mai apropiat Centru de service autorizat Makita.

OPERAREA

Tunderea ierbii

⚠️ AVERTIZARE: Înainte de a tunde iarba, degați zona de utilizare de bețe și pietre. De asemenea, îndepărtați în prealabil eventualele buruieni din zona de utilizare.

⚠️ AVERTIZARE: Purtați întotdeauna ochelari de protecție speciali sau ochelari de protecție cu apărători laterale atunci când operați mașina.

⚠️ ATENȚIE: Dacă iarba tăiată sau un obiect străin blochează mașina de tuns la interior, asigurați-vă că scoateți cheia de blocare și cartușul acumulatorului și că purtați mănuși înainte de a îndepărta iarba sau obiectul străin.

NOTĂ: Folosiți această mașină numai pentru tunderea gazonului. Nu tundeți buruieni cu această mașină.

► **Fig.32**

Țineți ferm mânerul cu ambele mâini în timpul lucrului. Viteza de lucru indicată orientativ este de circa 7 până la 14 metri la 10 secunde.

► **Fig.33**

NOTĂ: Atunci când tăiați gazon înalt sau cu iarbă deasă, dacă lungimea gazonului nu este uniformă sau dacă se constată că finisarea este slabă după operația de tundere a ierbii sau dacă scade viteza motorului în timpul tunderii, micșorați viteza de tundere la o viteză mai mică decât cea recomandată în acest manual sau creșteți înălțimea de tundere a ierbii.

Liniile centrale ale roților din față arată care este lățimea de tundere. Utilizând liniile centrale ca reper, tundeți iarba în benzi. Suprapuneți benzile cu o jumătate până la o treime din banda anterioară pentru a tunde uniform gazonul.

► **Fig.34:** 1. Lățime de tundere 2. Zonă de suprapunere 3. Linie centrală

Schimbați direcția de tundere de fiecare dată pentru ca modelul ierbii să nu se formeze într-o singură direcție.

► **Fig.35**

Verificați periodic cantitatea de iarbă din coș. Goliți coșul înainte de a se umple. Înaintea fiecărei verificări periodice, aveți grijă să opriți mașina de tuns iarba și să scoateți cheia de blocare și cartușul de acumulator.

NOTĂ: Folosirea mașinii de tuns iarba cu un coș plin nu permite rotirea lină a pânzei și plasează o sarcină suplimentară asupra motorului, ceea ce poate cauza avariarea acestuia.

Tunderea gazonului înalt

Nu încercați să tăiați gazonul înalt dintr-o singură încercare. În schimb, tundeți-l în etape. Lăsați o zi sau două între tunderi ca firele de iarbă să ajungă la aceeași înălțime.

► Fig.36

NOTĂ: Tunderea unui gazon înalt la o înălțime mică dintr-o singură încercare poate cauza ofilirea gazonului. De asemenea, gazonul tăiat se poate bloca în corpul mașinii de tuns iarba.

NOTĂ: Dacă lungimea gazonului nu este uniformă sau dacă se constată că finisarea este slabă după operația de tundere a ierbii sau dacă scade viteza motorului în timpul tunderii, micșorați viteza de lucru sau creșteți înălțimea de tundere a ierbii.

Golirea coșului pentru iarbă

⚠️ AVERTIZARE: Pentru a reduce riscul de accident, verificați regulat coșul pentru iarbă pentru a detecta eventuale defecțiuni sau rezistență slăbită. Înlocuiți coșul pentru iarbă dacă este necesar.

1. Eliberați pârghia de comutare și pârghia de acționare (pentru DLM481/DLM539), sau eliberați pârghia de comutare (pentru DLM480/DLM538).

2. Scoateți cheia de blocare.

3. Deschideți capacul posterior și scoateți coșul pentru iarbă ținându-l de mâner.

► Fig.37: 1. Capac posterior 2. Mâner 3. Coș pentru iarbă

4. Goliți coșul pentru iarbă.

ÎNTREȚINERE

⚠️ AVERTIZARE: Aveți întotdeauna grijă să scoateți cheia de blocare și cartușul acumulatorului din mașină înainte de depozitarea ori transportarea acesteia, sau înainte de a încerca să efectuați o inspecție sau o activitate de întreținere.

⚠️ AVERTIZARE: Scoateți întotdeauna cheia de blocare atunci când nu folosiți mașina. Păstrați cheia de blocare într-un loc sigur și nu la îndemâna copiilor.

⚠️ AVERTIZARE: Purați mănuși atunci când efectuați o inspecție sau activitate de întreținere.

⚠️ AVERTIZARE: Purați întotdeauna ochelari de protecție speciali sau ochelari de protecție cu apărători laterale atunci când efectuați o inspecție sau o activitate de întreținere.

NOTĂ: Nu utilizați niciodată gazolină, benzină, diluant, alcool sau alte substanțe asemănătoare. În caz contrar, pot rezulta decolorări, deformări sau fisuri.

Pentru a menține SIGURANȚA și FIABILITATEA produsului, reparațiile și orice alte lucrări de întreținere sau reglare trebuie executate de centre de service Makita autorizate sau proprii, folosind întotdeauna piese de schimb Makita.

Întreținere

1. Scoateți cheia de blocare și cartușele acumulatorului și apoi închideți capacul acumulatorului.

2. Așezați mașina de tuns iarba pe o parte. Curățați bucățile de iarbă tăiată care s-au acumulat pe partea de dedesubt a punții mașinii.

3. Turnați apă înspre partea de jos a mașinii, de care este atașată pânza.

NOTĂ: Nu spălați mașina cu jet de apă cu presiune ridicată.

4. Verificați dacă toate piulițele, bolțurile, șuruburile etc. sunt bine strânse.

5. Inspectați piesele mobile pentru a detecta eventuale deteriorări, rupturi și semne de uzură. Piesele deteriorate sau lipsă trebuie să fie reparate sau înlocuite.

6. Depozitați mașina într-un loc sigur, departe de accesul copiilor.

Pentru DLM481/DLM539

NOTĂ: Nu turnați apă în zonă, după cum se arată în figură. Contactul blocului motor cu apa poate cauza o defecțiune a mașinii.

► Fig.38: 1. Zonă în care apa nu trebuie să pătrundă

Pentru DLM481/DLM539

NOTĂ: Nu turnați apă pe mașină în timp ce mașina este în poziție verticală, astfel cum se arată în figură. Dacă mașina este în poziție verticală, apa poate pătrunde în unitatea motorului și poate provoca defectarea mașinii.

► Fig.39

Transportarea mașinii de tuns iarbă

⚠️ ATENȚIE: Înainte de a transporta mașina de tuns iarbă, asigurați-vă că sunt scoase cartușul acumulatorului și cheia de blocare.

Când transportați mașina de tuns iarbă, două persoane trebuie să țină mânerul posterior și partea inferioară de susținere din fața mașinii, astfel cum se arată în figură.

► Fig.40: 1. Partea inferioară de susținere 2. Mâner posterior

Depozitare

⚠️ ATENȚIE: Când puneți mașina în poziție verticală, așezați-o pe o suprafață plană stabilă. Dacă mașina este așezată pe o suprafață instabilă, aceasta poate cădea și poate provoca leziuni.

Depozitați mașina în interior, într-un loc uscat, răcoros și încluiat. Nu depozitați mașina de tuns iarba și încărcătorul în locuri în care temperatura poate atinge sau depăși 40 °C.

1. Scoateți cartușul acumulatorului și cheia de blocare.

2. Rotiți butonul rotativ la 90°, în timp ce trageți butonul rotativ de pe mânerul inferior pentru a elibera știftul de blocare. Efectuați aceeași procedură și pe partea cealaltă, apoi pliați mânerul.

► Fig.41: 1. Buton rotativ

NOTĂ: Sprijinirea mânerului facilitează eliberarea știftului de blocare atunci când trageți butonul rotativ.

3. Rotiți butonul rotativ de pe ambele părți la 90°. Asigurați-vă că butoanele rotative sunt bine fixate.

Pentru DLM481/DLM539

► **Fig.42:** 1. Buton rotativ

Pentru DLM480/DLM538

► **Fig.43:** 1. Buton rotativ

NOTĂ: Aveți grijă să nu prindeți cablurile atunci când pliați mânerul.

4. Slăbiți piulițele moletate de pe ambele părți, apoi pliați mânerul superior astfel cum se arată în figură.

► **Fig.44:** 1. Piuliță moletată 2. Mâner superior

5. Așezați mașina în poziție verticală.

NOTĂ: Când așezați mașina de tuns iarba în poziție verticală, nu țineți doar de mâner, ci de corpul mașinii de tuns iarba și de mâner.

6. Depozitați coșul pentru iarbă astfel cum se arată în figură.

► **Fig.45:** 1. Coș pentru iarbă

► **Fig.46:** 1. Coș pentru iarbă

Demontarea sau montarea pânzei

⚠️AVERTIZARE: Lama își continuă mișcarea inertială timp de câteva secunde după eliberarea comutatorului. Nu efectuați nicio operațiune până când lama nu se oprește complet.

⚠️AVERTIZARE: Scoateți întotdeauna cheia de blocare și cartușul de acumulator atunci când montați sau demontați lama. Dacă nu scoateți cheia de blocare și cartușul de acumulator, puteți suferi leziuni corporale grave.

⚠️AVERTIZARE: Purtați întotdeauna mănuși atunci când manipulați lama.

Scoaterea pânzei mașinii de tuns iarba

1. Așezați mașina de tuns iarba pe o parte, astfel încât maneta de reglare a înălțimii de tundere a ierbii să fie plasată pe partea de jos.

2. Pentru a bloca pânza, împingeți până la capăt știftul în orificiul de pe corpul mașinii de tuns iarba.

3. Slăbiți bolțul în sens antiorar cu o cheie inelară de 17.

► **Fig.47:** 1. Pânza mașinii de tuns iarba 2. Știft
3. Cheie inelară

4. Scoateți mai întâi șurubul, apoi pânza mașinii de tuns iarba.

► **Fig.48:** 1. Suportul pânzei 2. Pânza mașinii de tuns iarba 3. Șurub 4. Proeminență

NOTĂ: Când instalați pânza mașinii de tuns iarba, asigurați-vă că proeminențele de pe suportul pânzei intră în orificiile de pe pânză.

Montarea pânzei mașinii de tuns iarba

⚠️AVERTIZARE: Montați pânza mașinii de tuns iarba cu grijă. Are o față și un dos.

⚠️AVERTIZARE: Strângeți cu putere bolțul în sens orar pentru a fixa lama.

⚠️AVERTIZARE: Verificați dacă pânza mașinii de tuns iarba și toate componentele de fixare sunt montate corect și strânse bine.

⚠️AVERTIZARE: Atunci când înlocuiți lamele, respectați instrucțiunile din acest manual.

NOTĂ: După montarea pânzelor mașinii de tuns iarba, scoateți știftul din corpul mașinii de tuns iarba.

Pentru a monta pânzele mașinii de tuns iarba, executați în ordine inversă operațiile de demontare.

DEPANARE

Înainte de a solicita reparații, efectuați mai întâi propria inspecție. Dacă detectați o problemă care nu este explicată în manual, nu încercați să dezasamblați mașina. În schimb, adresați-vă Centrelor de service autorizate Makita, utilizând întotdeauna piese de schimb Makita pentru reparații.

Stare de anormalitate	Cauză probabilă (defecțiune)	Remediu
Mașina de tuns iarba nu pornește.	Două cartușe de acumulator nu sunt montate.	Montați două cartușe de acumulator încărcate.
	Problemă cu acumulatorul (tensiune scăzută)	Reîncărcați cartușul acumulatorului. Dacă reîncărcarea nu este eficientă, înlocuiți cartușul acumulatorului.
	Cheia de blocare nu este introdusă.	Introduceți cheia de blocare.
Motorul se oprește din funcționare după puțin timp.	Nivelul de încărcare al acumulatorului este redus.	Reîncărcați cartușul acumulatorului. Dacă reîncărcarea nu este eficientă, înlocuiți cartușul acumulatorului.
	Înălțimea de tăiere setată este prea joasă.	Creșteți înălțimea de tăiere.
	Mașina s-a înfundat cu iarba tunsă.	Scoateți iarba tunsă blocată în mașina de tuns iarba.
Motorul nu atinge turația maximă (RPM).	Cartușul acumulatorului este instalat necorespunzător.	Montați cartușul de acumulator în modul descris în acest manual.
	Puterea acumulatorului se reduce.	Reîncărcați cartușul acumulatorului. Dacă reîncărcarea nu este eficientă, înlocuiți cartușul acumulatorului.
	Sistemul de acționare nu funcționează corect.	Solicitați centrului de service autorizat local efectuarea reparațiilor.
Pânza mașinii de tuns iarba nu se rotește: ⇒ opriți imediat mașina de tuns iarba!	Un obiect străin, precum o creangă, s-a înțepenit în apropiere de lamă.	Îndepărtați obiectul străin.
	Sistemul de acționare nu funcționează corect.	Solicitați centrului de service autorizat local efectuarea reparațiilor.
Vibrații anormale: ⇒ opriți imediat mașina de tuns iarba!	Lama este dezechilibrată sau uzată excesiv sau neuniform.	Înlocuiți lama.

ACCESORII OPȚIONALE

⚠ ATENȚIE: Folosiți accesoriile sau piesele auxiliare recomandate pentru mașina dumneavoastră Makita în acest manual. Utilizarea altor accesorii sau piese auxiliare poate prezenta risc de accidentări. Utilizați accesoriile sau piesele auxiliare numai în scopul destinat.

Dacă aveți nevoie de asistență sau de mai multe detalii referitoare la aceste accesorii, adresați-vă centrului local de service Makita.

- Pânza mașinii de tuns iarba
- Acumulator și încărcător original Makita

NOTĂ: Unele articole din listă pot fi incluse ca accesorii standard în ambalajul produsului. Acestea pot diferi în funcție de țară.

TECHNISCHE DATEN

Modell:		DLM480	DLM481	DLM538	DLM539
Mähbreite (Messerdurchmesser)		480 mm		534 mm	
Leerlaufdrehzahl		3.100 min ⁻¹		3.000 min ⁻¹	
Teilenummer des Ersatz-Mähermessers	Gerades Mähermesser	191V97-3		191V96-5 / 191W87-2	
	Mulchmesser	191Y64-6		191Y65-4	
Abmessungen (L x B x H)	während des Betriebs	L: 1.690 mm bis 1.740 mm B: 530 mm H: 930 mm bis 1.060 mm		L: 1.810 mm bis 1.870 mm B: 580 mm H: 920 mm bis 1.040 mm	
	bei Lagerung (ohne Graskorb)	580 mm x 530 mm x 870 mm		610 mm x 580 mm x 925 mm	
Fahrgeschwindigkeit		-	2,5 - 5,0 km/h	-	2,5 - 5,0 km/h
Nennspannung		36 V Gleichstrom			
Nettogewicht		24,5 - 26,8 kg	27,0 - 29,3 kg	25,5 - 28,0 kg	27,9 - 30,4 kg
Schutzgrad		IPX4			

- Wir behalten uns vor, Änderungen der technischen Daten im Zuge der Entwicklung und des technischen Fortschritts ohne vorherige Ankündigung vorzunehmen.
- Die technischen Daten können von Land zu Land unterschiedlich sein.
- Das Gewicht kann abhängig von dem Aufsatz (den Aufsätzen), einschließlich des Akkus, unterschiedlich sein. Die leichteste und die schwerste Kombination, gemäß dem EPTA-Verfahren 01/2014, sind in der Tabelle angegeben.

Zutreffende Akkus und Ladegeräte

Akku	BL1815N / BL1820B / BL1830B / BL1840B / BL1850B / BL1860B
Ladegerät	DC18RC / DC18RD / DC18RE / DC18SD / DC18SE / DC18SF / DC18SH / DC18WC





- Einige der oben aufgelisteten Akkus und Ladegeräte sind je nach Ihrem Wohngebiet eventuell nicht erhältlich.






⚠️ WARNUNG: Verwenden Sie nur die oben aufgeführten Akkus und Ladegeräte. Bei Verwendung irgendwelcher anderer Akkus und Ladegeräte besteht Verletzungs- und/oder Brandgefahr.

⚠️ WARNUNG: Verwenden Sie keine verkabelte Stromversorgung, wie z. B. einen Akku-Adapter oder eine rückentragbare Akku-Bank, mit dieser Maschine. Anderenfalls kann das Kabel einer solchen Stromversorgung den Betrieb behindern und Personenschäden verursachen.

Symbole

Nachfolgend werden Symbole beschrieben, die für das Gerät verwendet werden können. Machen Sie sich unbedingt vor der Benutzung mit ihrer Bedeutung vertraut.

	Besondere Umsicht und Aufmerksamkeit erforderlich.
	Betriebsanleitung lesen.
	Gefahr durch herausgeschleuderte Objekte.
	Der Abstand zwischen dem Werkzeug und Umstehenden sollte mindestens 15 m betragen.

	Halten Sie niemals Ihre Hände und Füße in die Nähe des Mähermessers unter dem Mäher. Die Mähermesser drehen sich nach dem Ausschalten des Motors noch weiter.
	Entfernen Sie den Sperrschlüssel, bevor Sie den Mäher überprüfen, einstellen, reinigen, warten, verlassen und lagern.
	Warnung: Batterie vor Wartung abklemmen.
	Elektrische Gefährdung. Kontakt mit Wasser kann einen elektrischen Schlag verursachen.
	Nicht mit Wasser übergießen.



Nur für EU-Länder
Aufgrund des Vorhandenseins gefährlicher Komponenten in der Ausrüstung können Elektro- und Elektronik-Altgeräte, Akkumulatoren und Batterien sich negativ auf die Umwelt und die menschliche Gesundheit auswirken.
Entsorgen Sie Elektro- und Elektronikgeräte oder Batterien nicht mit dem Hausmüll!
In Übereinstimmung mit der Europäischen Richtlinie über Elektro- und Elektronik-Altgeräte, Akkumulatoren und Batterien, verbrauchte Akkumulatoren und Batterien sowie ihrer Anpassung an nationales Recht sollten Elektro-Altgeräte, Batterien und Akkumulatoren gemäß den Umweltschutzbestimmungen getrennt gelagert und zu einer getrennten Sammelstelle für Siedlungsabfälle geliefert werden.
Dies wird durch das am Gerät angebrachte Symbol der durchgestrichenen Abfalltonne auf Rädern angezeigt.



Garantierter Schallleistungspegel gemäß der EU-Richtlinie über Außenlärm.



Schallleistungspegel gemäß der australischen NSW-Lärmschutzverordnung

Vorgesehene Verwendung

Die Maschine ist für Rasenmähen vorgesehen.

Geräusch

Typischer A-bewerteter Geräuschpegel ermittelt gemäß EN60335-2-77:

Modell DLM480

Schalldruckpegel (L_{pA}): 84 dB (A)
Schallleistungspegel (L_{WA}): 92 dB (A)
Messunsicherheit (K): 3 dB (A)

Modell DLM481

Schalldruckpegel (L_{pA}): 84 dB (A)
Schallleistungspegel (L_{WA}): 92 dB (A)
Messunsicherheit (K): 3 dB (A)

Modell DLM538

Schalldruckpegel (L_{pA}): 85 dB (A)
Schallleistungspegel (L_{WA}): 96 dB (A)
Messunsicherheit (K): 3 dB (A)

Modell DLM539

Schalldruckpegel (L_{pA}): 85 dB (A)
Schallleistungspegel (L_{WA}): 96 dB (A)
Messunsicherheit (K): 3 dB (A)

HINWEIS: Der (Die) angegebene(n) Schallemissionswert(e) wurde(n) im Einklang mit der Standardprüfmethode gemessen und kann (können) für den Vergleich zwischen Werkzeugen herangezogen werden.

HINWEIS: Der (Die) angegebene(n) Schallemissionswert(e) kann (können) auch für eine Vorbewertung des Gefährdungsgrads verwendet werden.

⚠️ WARNUNG: Einen Gehörschutz tragen.

⚠️ WARNUNG: Die Schallemission während der tatsächlichen Benutzung des Elektrowerkzeugs kann je nach der Benutzungsweise des Werkzeugs, und speziell je nach der Art des bearbeiteten Werkstücks, von dem (den) angegebenen Wert(en) abweichen.

⚠️ WARNUNG: Identifizieren Sie Sicherheitsmaßnahmen zum Schutz des Benutzers anhand einer Schätzung des Gefährdungsgrads unter den tatsächlichen Benutzungsbedingungen (unter Berücksichtigung aller Phasen des Arbeitszyklus, wie z. B. Ausschalt- und Leerlaufzeiten des Werkzeugs zusätzlich zur Betriebszeit).

Schwingungen

Schwingungsgesamtwert (Drei-Achsen-Vektorsumme) ermittelt gemäß EN60335-2-77:

Modell DLM480

Schwingungsemission (a_h): 2,5 m/s² oder weniger
Messunsicherheit (K): 1,5 m/s²

Modell DLM481

Schwingungsemission (a_h): 2,5 m/s² oder weniger
Messunsicherheit (K): 1,5 m/s²

Modell DLM538

Schwingungsemission (a_h): 2,5 m/s² oder weniger
Messunsicherheit (K): 1,5 m/s²

Modell DLM539

Schwingungsemission (a_h): 2,5 m/s² oder weniger
Messunsicherheit (K): 1,5 m/s²

HINWEIS: Der (Die) angegebene(n) Vibrationsgesamtwert(e) wurde(n) im Einklang mit der Standardprüfmethode gemessen und kann (können) für den Vergleich zwischen Werkzeugen herangezogen werden.

HINWEIS: Der (Die) angegebene(n) Vibrationsgesamtwert(e) kann (können) auch für eine Vorbewertung des Gefährdungsgrads verwendet werden.

⚠️ WARNUNG: Die Vibrationsemission während der tatsächlichen Benutzung des Elektrowerkzeugs kann je nach der Benutzungsweise des Werkzeugs, und speziell je nach der Art des bearbeiteten Werkstücks, von dem (den) angegebenen Emissionswert(en) abweichen.

⚠️ WARNUNG: Identifizieren Sie Sicherheitsmaßnahmen zum Schutz des Benutzers anhand einer Schätzung des Gefährdungsgrads unter den tatsächlichen Benutzungsbedingungen (unter Berücksichtigung aller Phasen des Arbeitszyklus, wie z. B. Ausschalt- und Leerlaufzeiten des Werkzeugs zusätzlich zur Betriebszeit).

EG-Konformitätserklärung

Nur für europäische Länder

Die EG-Konformitätserklärung ist als Anhang A in dieser Bedienungsanleitung enthalten.

SICHERHEITSWARNUNGEN

Allgemeine Sicherheitswarnungen für Elektrowerkzeuge

⚠️ WARNUNG: Lesen Sie alle mit diesem Elektrowerkzeug gelieferten Sicherheitswarnungen, Anweisungen, Abbildungen und technischen Daten durch. Eine Missachtung der unten aufgeführten Anweisungen kann zu einem elektrischen Schlag, Brand und/oder schweren Verletzungen führen.

Bewahren Sie alle Warnungen und Anweisungen für spätere Bezugnahme auf.

Der Ausdruck „Elektrowerkzeug“ in den Warnhinweisen bezieht sich auf Ihr mit Netzstrom (mit Kabel) oder Akku (ohne Kabel) betriebenes Elektrowerkzeug.

Sicherheitswarnungen für Akku-Rasenmäher

1. **Vermeiden Sie die Benutzung des Rasenmähers bei schlechten Witterungsverhältnissen, besonders bei Blitzschlaggefahr.** Dadurch wird die Gefahr, von einem Blitz getroffen zu werden, verringert.
2. **Untersuchen Sie den Bereich, in dem der Rasenmäher verwendet werden soll, gründlich auf Wildtiere.** Wildtiere können durch den Rasenmäher während des Betriebs verletzt werden.
3. **Inspizieren Sie den Bereich, in dem der Rasenmäher verwendet werden soll, gründlich, und entfernen Sie alle Steine, Stöcke, Drähte, Knochen und andere Fremdkörper.** Herausgeschleuderte Objekte können Personenschäden verursachen.
4. **Führen Sie vor der Verwendung des Rasenmähers immer eine visuelle Inspektion durch, um sicherzustellen, dass das Messer und die Messerbaugruppe nicht abgenutzt oder beschädigt sind.** Verschlossene oder beschädigte Teile erhöhen die Verletzungsgefahr.
5. **Überprüfen Sie den Grasfänger häufig auf Verschleiß oder Verschlechterung.** Ein verschlissener oder beschädigter Grasfänger kann das Risiko von Personenschäden erhöhen.
6. **Halten Sie die Schutzvorrichtungen in Position.** Schutzvorrichtungen müssen betriebsfähig und ordnungsgemäß montiert sein. Eine lose, beschädigte oder nicht korrekt funktionierende Schutzvorrichtung kann zu Personenschäden führen.
7. **Halten Sie alle Kühllufteinlässe frei von Unrat.** Verstopfte Lufteinlässe und Ablagerungen können zu Überhitzung oder Brandgefahr führen.
8. **Tragen Sie während des Betriebs des Rasenmähers immer rutschfestes und schützendes Schuhwerk. Betreiben Sie den Rasenmäher nicht barfuß oder mit offenen Sandalen.** Dadurch wird die Verletzungsgefahr für die Füße durch Kontakt mit dem rotierenden Messer verringert.

9. **Tragen Sie während des Betriebs des Rasenmähers immer eine lange Hose.** Ungeschützte Haut erhöht die Wahrscheinlichkeit von Verletzungen durch weggeschleuderte Gegenstände.
10. **Betreiben Sie den Rasenmäher nicht in nassem Gras. Stets gehen, niemals laufen.** Dadurch wird die Gefahr des Rutschens und Stürzens, bei dem es zu Personenschäden kommen kann, verringert.
11. **Betreiben Sie den Rasenmäher nicht auf übermäßig steilen Hängen.** Dies reduziert die Gefahr des Verlusts der Kontrolle, des Rutschens und Stürzens, was zu Personenschäden führen kann.
12. **Achten Sie beim Arbeiten auf Hängen stets auf Ihren Halt, arbeiten Sie stets quer zur Hangfläche, niemals auf- oder abwärts, und lassen Sie bei Richtungswechseln äußerste Vorsicht walten.** Dies reduziert die Gefahr des Verlusts der Kontrolle, des Rutschens und Stürzens, was zu Personenschäden führen kann.
13. **Lassen Sie äußerste Vorsicht walten, wenn Sie den Rasenmäher rückwärts betreiben oder auf sich zu ziehen. Achten Sie immer auf Ihre Umgebung.** Dadurch wird die Stolpergefahr während des Betriebs verringert.
14. **Berühren Sie die Messer und andere gefährliche bewegliche Teile nicht, während sie noch in Bewegung sind.** Dadurch wird die Verletzungsgefahr durch bewegte Teile verringert.
15. **Stellen Sie beim Beseitigen von eingeklemmtem Material oder beim Reinigen des Rasenmähers sicher, dass alle Betriebsschalter ausgeschaltet sind und der Akku abgeklemmt ist.** Unerwarteter Betrieb des Rasenmähers kann zu schweren Personenschäden führen.

DIESE ANWEISUNGEN AUFBEWAHREN.

⚠️ WARNUNG: Lassen Sie sich NICHT durch Bequemlichkeit oder Vertrautheit mit dem Produkt (durch wiederholten Gebrauch erworben) von der strikten Einhaltung der Sicherheitsregeln für das vorliegende Produkt abhalten.

MISSBRAUCH oder Missachtung der Sicherheitsvorschriften in dieser Anleitung können schwere Verletzungen verursachen.

WICHTIGE SICHERHEITSVORSCHRIFTEN

⚠️ WARNUNG: Lesen Sie alle Sicherheitswarnungen und Anweisungen durch. Eine Missachtung der unten aufgeführten Warnungen und Anweisungen kann zu einem elektrischen Schlag, Brand und/oder schweren Verletzungen führen.

Bewahren Sie alle Warnungen und Anweisungen für spätere Bezugnahme auf.

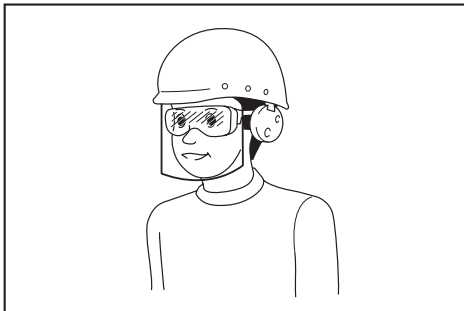
Einarbeitung

1. **Lesen Sie die Anweisungen sorgfältig durch. Machen Sie sich mit der Bedienung und dem korrekten Gebrauch des Mähers vertraut.**

2. Kinder oder Personen, die nicht mit dieser Anleitung vertraut sind, dürfen den Mäher keinesfalls benutzen. Örtliche Vorschriften können das Alter der Bedienungsperson einschränken.
3. Betreiben Sie den Mäher keinesfalls, während sich Personen, besonders Kinder, oder Haustiere in der Nähe aufhalten.
4. Der Bediener oder Benutzer ist verantwortlich für Verletzungen oder Sachschäden, die an Personen oder ihrem Eigentum entstehen.
5. Kinder sollten beaufsichtigt werden, um sicherzugehen, dass sie nicht mit dem Mäher spielen.
6. Körperliche Verfassung - Betreiben Sie den Mäher nicht unter dem Einfluss von Drogen, Alkohol oder Medikamenten.

Vorbereitung

1. Tragen Sie während der Benutzung des Mähers stets kräftiges Schuhwerk und eine lange Hose. Betreiben Sie den Mäher nicht barfuß oder mit offenen Sandalen. Vermeiden Sie das Tragen von Kleidungsstücken oder Schmucksachen, die lose sitzen oder herunterhängende Schnüre oder Bänder haben. Diese können von beweglichen Teilen erfasst werden.
2. Unterziehen Sie den Mäher vor Gebrauch immer einer Sichtprüfung auf beschädigte, fehlende oder deplatzierte Schutzhauben oder Abschirmungen.
3. Vergewissern Sie sich, dass sich keine anderen Personen im Arbeitsbereich aufhalten, bevor Sie mit dem Mähen beginnen. Stellen Sie den Mäher ab, falls jemand den Arbeitsbereich betritt.
4. Stecken Sie den Sperrschlüssel nicht eher in den Mäher, bis dieser betriebsbereit ist.
5. Tragen Sie stets eine Schutzbrille, um Ihre Augen bei Verwendung von Elektrowerkzeugen vor Verletzung zu schützen. Die Brille muss der Vorschrift ANSI Z87.1 in den USA, EN 166 in Europa oder AS/NZS 1336 in Australien/Neuseeland entsprechen. In Australien/Neuseeland ist das Tragen eines Gesichtsschutzes gesetzlich vorgeschrieben, um auch Ihr Gesicht zu schützen.



Der Arbeitgeber ist dafür verantwortlich, den Gebrauch von angemessener Schutzausrüstung für die Werkzeugbenutzer und andere Personen im unmittelbaren Arbeitsbereich durchzusetzen.

6. Überprüfen Sie die Messer oder die Messerschrauben vor dem Betrieb sorgfältig auf Risse oder Beschädigung. Wechseln Sie gerissene oder beschädigte Messer oder Messerschrauben unverzüglich aus.
7. Entfernen Sie vor dem Mähen Fremdkörper, wie Steine, Draht, Flaschen, Knochen und große Äste, vom Arbeitsbereich, um Personenschäden und Beschädigung des Mähers zu verhüten.
8. Vom Mähermesser herausgeschleuderte Gegenstände können schwere Personenverletzungen verursachen. Der Rasen ist vor jedem Mähen sorgfältig zu überprüfen und von allen Objekten zu räumen.
9. Achten Sie auf Löcher, Furchen, Bodenwellen, Steine oder sonstige verborgene Objekte. Unebenes Gelände könnte einen Unfall durch Ausrutschen und Hinfallen verursachen. Hohes Gras kann Hindernisse verbergen.
10. **Benutzen Sie persönliche Schutzausrüstung. Tragen Sie stets einen Augenschutz.** Sachgemäßer Gebrauch von Schutzausrüstung (z. B. Staubmaske, rutschfeste Sicherheitsschuhe, Helm und Gehörschutz) trägt zu einer Reduzierung der Verletzungsgefahr bei.

Betrieb

1. Übernehmen Sie sich nicht. Achten Sie stets auf gute Balance. Achten Sie an Hängen immer auf einen sicheren Stand. Stets gehen, niemals laufen.
2. Halten Sie den Mäher an, entfernen Sie den Sperrschlüssel, und vergewissern Sie sich, dass alle beweglichen Teile zu einem vollständigen Stillstand gekommen sind:
 - wann immer Sie den Mäher verlassen,
 - bevor Sie Blockierungen beseitigen oder den Auswurf frei machen,
 - bevor Sie den Mäher überprüfen, reinigen oder daran arbeiten,
 - nach dem Auftreffen auf einen Fremdkörper.
 Überprüfen Sie den Mäher auf Beschädigung, und führen Sie Reparaturen durch, bevor Sie den Mäher wieder starten und in Betrieb nehmen,
 - wann immer der Mäher ungewöhnlich zu vibrieren beginnt.
3. Betreiben Sie den Mäher niemals mit defekten Schutzklappen oder Abschirmungen oder ohne Sicherheitsvorrichtungen, wie z. B. Abweiser und/oder Graskorb.
4. Vermeiden Sie die Benutzung des Mähers bei schlechten Witterungsverhältnissen, besonders bei Blitzschlaggefahr.
5. Tragen Sie während der Benutzung des Mähers stets einen Augenschutz und robuste Schuhe.
6. Betreiben Sie den Mäher nur bei Tageslicht oder hellem Kunstlicht.
7. Schalten Sie den Mäher gemäß den Anweisungen vorsichtig ein, während Ihre Füße einen ausreichenden Sicherheitsabstand von dem (den) Messer(n) haben.
8. Hüten Sie sich vor Fuß- und Handverletzungen durch die Mähermesser.

9. Achten Sie stets darauf, dass die Belüftungsöffnungen frei von Unrat sind.
 10. Mähen Sie Hänge nur seitwärts, niemals auf und ab. Gehen Sie bei Richtungsänderungen auf Hängen äußerst vorsichtig vor. Mähen Sie keine sehr steilen Hänge.
 11. Lassen Sie äußerste Vorsicht walten, wenn Sie den Mäher rückwärts betreiben oder auf sich zu ziehen.
 12. Halten Sie das (die) Messer an, wenn der Mäher zum Transportieren gekippt werden muss, wenn andere Flächen als Rasen überquert werden müssen, und wenn der Mäher zu und vom Arbeitsbereich transportiert werden muss.
 13. Neigen Sie den Mäher nicht, wenn Sie den Motor einschalten, außer wenn der Mäher zum Starten geneigt werden muss. Neigen Sie den Mäher in diesem Fall nicht mehr als absolut notwendig, und heben Sie nur den vom Bediener abgewandten Teil an. Achten Sie stets darauf, dass sich beide Hände an der Arbeitsposition befinden, bevor Sie den Mäher wieder auf den Boden stellen.
 14. Halten Sie Ihre Hände oder Füße nicht in die Nähe von rotierenden Teilen oder darunter. Bleiben Sie stets von der Auswurföffnung fern.
 15. Transportieren Sie den Mäher nicht in eingeschaltetem Zustand.
 16. Vermeiden Sie die Benutzung des Mähers in nassem Gras.
 17. Halten Sie den Bügelgriff stets mit festem Griff.
 18. Fassen Sie nicht die freiliegenden Schneidmesser oder die Schneidkanten an, wenn Sie den Mäher anheben oder halten.
 19. Halten Sie Hände und Füße von den rotierenden Messern fern. Vorsicht - Die Messer drehen sich nach dem Ausschalten des Mähers noch weiter.
 20. Brechen Sie den Betrieb sofort ab, wenn Sie irgendetwas Ungewöhnliches bemerken. Schalten Sie den Mäher aus, und ziehen Sie den Sperrschlüssel ab. Überprüfen Sie dann den Mäher.
 21. Versuchen Sie niemals, Einstellungen der Schnitthöhe bei laufendem Mäher durchzuführen, wenn der Mäher eine Funktion zum Einstellen der Schnitthöhe besitzt.
 22. Lassen Sie den Schalthebel los, und warten Sie, bis das Messer zum Stillstand gekommen ist, bevor Sie Einfahrten, Gehwege, Straßen und schotterbedeckte Flächen überqueren. Ziehen Sie den Sperrschlüssel auch ab, wenn Sie den Mäher verlassen, wenn Sie sich bücken, um etwas aufzuheben oder aus dem Weg zu räumen, oder in irgendeiner anderen Situation, bei der Sie von Ihrer Arbeit abgelenkt werden könnten.
 23. Falls der Rasenmäher auf einen Fremdkörper stößt, gehen Sie folgendermaßen vor:
 - Stellen Sie den Mäher ab, lassen Sie den Schalthebel los, und warten Sie, bis das Messer zum vollständigen Stillstand kommt.
 - Entfernen Sie den Sperrschlüssel und den Akku.
 - Überprüfen Sie den Mäher gründlich auf etwaige Beschädigung.
 - Tauschen Sie das Messer aus, falls es in irgendeiner Weise beschädigt ist. Reparieren Sie etwaige Schäden, bevor Sie den Mäher wieder in Betrieb nehmen und weiter benutzen.
 24. Starten Sie den Mäher nicht, wenn Sie vor der Auswurföffnung stehen.
 25. Falls der Mäher beginnt, ungewöhnlich heftig zu vibrieren (sofort überprüfen),
 - auf Beschädigung überprüfen,
 - beschädigte Teile austauschen oder reparieren,
 - prüfen, ob lose Teile vorhanden sind, und diese festziehen.
 26. Richten Sie den Materialauswurf niemals auf Personen. Vermeiden Sie Auswerfen von Material gegen eine Wand oder eine Behinderung. Das Material könnte auf den Bediener zurückprallen. Halten Sie das Messer an, wenn Sie Schotterflächen überqueren.
 27. Ziehen Sie den Mäher nicht rückwärts, wenn dies nicht unbedingt notwendig ist. Wenn Sie gezwungen sind, den Mäher von einem Zaun oder einer ähnlichen Behinderung zurückzuziehen, schauen Sie nach unten und hinten, bevor und während Sie sich rückwärts bewegen.
 28. Stellen Sie den Motor ab, und warten Sie, bis das Messer zu einem vollständigen Stillstand kommt, bevor Sie den Grasfänger entfernen. Beachten Sie, dass die Messer nach dem Ausschalten nachlaufen.
 29. Wenn Sie die Maschine auf schlammigem Boden, auf einem nassen Hang oder an einem schlüpfrigen Ort benutzen, achten Sie auf Ihren Stand.
 30. Tauchen Sie die Maschine nicht in einen Tümpel ein.
 31. Achten Sie beim Betreiben der Maschine auf Rohrleitungen und Kabel.
- Wartung und Lagerung**
1. Tauschen Sie verschlissene oder beschädigte Teile zur Sicherheit aus. Verwenden Sie nur Original-Ersatzteile und -Zubehör.
 2. Überprüfen und warten Sie den Mäher regelmäßig.
 3. Bewahren Sie den Mäher bei Nichtgebrauch außer Reichweite von Kindern auf.
 4. Achten Sie auf festen Sitz aller Muttern, Bolzen und Schrauben, um sicherzugehen, dass sich das Gerät in einwandfreiem Arbeitszustand befindet.
 5. Überprüfen Sie den Graskorb oft auf Verschleiß oder Verschlechterung. Vergewissern Sie sich vor der Lagerung stets, dass der Graskorb leer ist. Tauschen Sie einen verschlissenen Graskorb zur Sicherheit gegen ein neues Original-Ersatzteil aus.
 6. Verwenden Sie nur die in dieser Anleitung angegebenen Originalmesser des Herstellers.
 7. Lassen Sie während der Einstellung des Mähers Vorsicht walten, um Einklemmen der Finger zwischen den beweglichen Messern und den feststehenden Teilen des Mähers zu verhüten.

8. Überprüfen Sie die Messerbefestigungsschraube in regelmäßigen Abständen auf festen Sitz.
9. Lassen Sie den Mäher vor der Lagerung stets abkühlen.
10. Wenn Sie die Messer warten, bedenken Sie, dass sich die Messer immer noch bewegen können, selbst wenn die Stromquelle abgeschaltet ist.
11. Versuchen Sie niemals, Sicherheitsvorrichtungen zu entfernen oder zu manipulieren. Überprüfen Sie regelmäßig ihre ordnungsgemäße Funktion. Unterlassen Sie jegliche Beeinträchtigung der beabsichtigten Funktion einer Sicherheitsvorrichtung oder eine Verringerung des von einer Sicherheitsvorrichtung bereitgestellten Schutzes.
12. Lassen Sie die Maschine nicht unbeaufsichtigt im Freien bei Regen stehen.
13. Lagern Sie die Maschine nicht an einem Ort, der direktem Sonnenlicht und Regen ausgesetzt ist, sondern an einem Ort, an dem es nicht heiß oder feucht wird.

Gebrauch und Pflege von Akkuwerkzeugen

1. Laden Sie den Akku nur mit dem vom Hersteller vorgeschriebenen Ladegerät. Ein Ladegerät, das für einen Akkutyp geeignet ist, kann bei Verwendung mit einem anderen Akku eine Brandgefahr darstellen.
2. Benutzen Sie Elektrowerkzeuge nur mit den ausdrücklich vorgeschriebenen Akkus. Bei Verwendung irgendwelcher anderer Akkus besteht Verletzungs- und Brandgefahr.
3. Bewahren Sie den Akku bei Nichtgebrauch nicht zusammen mit Metallgegenständen, wie Büroklammern, Münzen, Schlüsseln, Nägeln, Schrauben, und anderen kleinen Metallteilen auf, welche die Kontakte kurzschließen können. Kurzschließen der Akkukontakte kann Verbrennungen oder einen Brand verursachen.
4. Bei Missbrauch kann Flüssigkeit aus dem Akku austreten. Vermeiden Sie Kontakt mit dieser Flüssigkeit. Falls Sie versehentlich mit der Flüssigkeit in Berührung kommen, spülen Sie die betroffenen Stellen mit Wasser ab. Falls die Flüssigkeit in die Augen gelangt, suchen Sie zusätzlich ärztliche Hilfe auf. Die vom Akku austretende Flüssigkeit kann Hautreizungen oder Verätzungen verursachen.
5. Verwenden Sie keinen Akku und auch kein Werkzeug, der (das) beschädigt oder modifiziert ist. Beschädigte oder modifizierte Akkus können unvorhersehbares Verhalten zeigen, das zu einem Brand, einer Explosion oder Verletzungsgefahr führen kann.
6. Setzen Sie einen Akku oder ein Werkzeug nicht Feuer oder übermäßigen Temperaturen aus. Bei Einwirkung von Feuer oder Temperaturen über 130 °C kann es zu einer Explosion kommen.
7. Befolgen Sie alle Ladeanweisungen, und laden Sie den Akku bzw. das Werkzeug nicht außerhalb des in den Anweisungen angegebenen Temperaturbereichs. Wird der Ladevorgang unsachgemäß oder bei Temperaturen außerhalb des angegebenen Bereichs durchgeführt, kann es zu einer Beschädigung des Akkus und erhöhter Brandgefahr kommen.

Sicherheit der Elektrik und des Akkus

1. Werfen Sie den (die) Akku(s) nicht ins Feuer. Die Zelle könnte explodieren. Prüfen Sie die örtlichen Vorschriften für mögliche spezielle Entsorgungsanweisungen.
2. Versuchen Sie nicht, den (die) Akku(s) zu öffnen oder zu verstümmeln. Freigesetzter Elektrolyt ist korrosiv und kann Schäden an Augen oder Haut verursachen. Falls er verschluckt wird, kann er giftig sein.
3. Laden Sie den Akku nicht im Regen oder an nassen Orten.
4. Laden Sie den Akku nicht im Freien.
5. Fassen Sie das Ladegerät, einschließlich des Ladegerätesteckers und der Ladegeräteanschlüsse, nicht mit nassen Händen an.
6. Tauschen Sie den Akku nicht im Regen aus.
7. Vermeiden Sie Benetzen der Akkukontakte mit einer Flüssigkeit, wie z. B. Wasser, oder Untertauchen des Akkus. Lassen Sie den Akku nicht im Regen stehen, und unterlassen Sie Laden, Benutzen oder Lagern des Akkus an einem feuchten oder nassen Ort. Falls die Kontakte nass werden, oder eine Flüssigkeit in den Akku eindringt, kann der Akku kurzgeschlossen werden, und es besteht Überheizungs-, Brand- oder Explosionsgefahr.
8. Nachdem Sie den Akku von der Maschine oder vom Ladegerät entfernt haben, bringen Sie unbedingt die Akkuabdeckung am Akku an, und lagern Sie ihn an einem trockenen Ort.
9. Tauschen Sie den Akku nicht mit nassen Händen aus.
10. Vermeiden Sie gefährliche Umgebungen. Benutzen Sie die Maschine nicht an feuchten oder nassen Orten, und setzen Sie sie auch keinem Regen aus. Wasser, das in die Maschine eindringt, erhöht die Stromschlaggefahr.
11. Falls der Akku nass wird, lassen Sie das eingedrungene Wasser ab, und wischen Sie ihn dann mit einem trockenen Tuch ab. Lassen Sie den Akku an einem trockenen Ort vollkommen trocknen, bevor Sie ihn benutzen.

Wartung

1. Lassen Sie Ihr Elektrowerkzeug nur unter Verwendung identischer Ersatzteile von einem qualifizierten Wartungstechniker warten. Dadurch wird die Aufrechterhaltung der Sicherheit des Elektrowerkzeugs gewährleistet.
2. Beschädigte Akkus dürfen auf keinen Fall gewartet werden. Die Wartung von Akkus darf nur vom Hersteller oder von einer Vertragswerkstatt durchgeführt werden.

DIESE ANWEISUNGEN AUFBEWAHREN.

⚠️ WARNUNG: Lassen Sie sich NICHT durch Bequemlichkeit oder Vertrautheit mit dem Produkt (durch wiederholten Gebrauch erworben) von der strikten Einhaltung der Sicherheitsregeln für das vorliegende Produkt abhalten.

MISSBRAUCH oder Missachtung der Sicherheitsvorschriften in dieser Anleitung können schwere Verletzungen verursachen.

Wichtige Sicherheitsanweisungen für Akku

1. **Lesen Sie vor der Benutzung des Akkus alle Anweisungen und Warnhinweise, die an (1) Ladegerät, (2) Akku und (3) Akkuwerkzeuge angebracht sind.**
2. **Unterlassen Sie Zerlegen oder Manipulieren des Akkus.** Es kann sonst zu einem Brand, übermäßiger Hitzeentwicklung oder einer Explosion kommen.
3. **Falls die Betriebszeit beträchtlich kürzer geworden ist, stellen Sie den Betrieb sofort ein.** Anderenfalls besteht die Gefahr von Überhitzung, möglichen Verbrennungen und sogar einer Explosion.
4. **Falls Elektrolyt in Ihre Augen gelangt, waschen Sie sie mit sauberem Wasser aus, und begeben Sie sich unverzüglich in ärztliche Behandlung.** Anderenfalls können Sie Ihre Sehkraft verlieren.
5. **Der Akku darf nicht kurzgeschlossen werden:**
 - (1) **Die Kontakte dürfen nicht mit leitfähigem Material berührt werden.**
 - (2) **Lagern Sie den Akku nicht in einem Behälter zusammen mit anderen Metallgegenständen, wie z. B. Nägel, Münzen usw.**
 - (3) **Setzen Sie den Akku weder Wasser noch Regen aus.****Ein Kurzschluss des Akkus verursacht starken Stromfluss, der Überhitzung, mögliche Verbrennungen und einen Defekt zur Folge haben kann.**
6. **Lagern und benutzen Sie das Werkzeug und den Akku nicht an Orten, an denen die Temperatur 50 °C erreichen oder überschreiten kann.**
7. **Versuchen Sie niemals, den Akku zu verbrennen, selbst wenn er stark beschädigt oder vollkommen verbraucht ist. Der Akku kann im Feuer explodieren.**
8. **Unterlassen Sie Nageln, Schneiden, Zerquetschen, Werfen, Fallenlassen des Akkus oder Schlagen des Akkus mit einem harten Gegenstand.** Eine solche Handlung kann zu einem Brand, übermäßiger Hitzeentwicklung oder einer Explosion führen.
9. **Benutzen Sie keine beschädigten Akkus.**
10. **Die enthaltenen Lithium-Ionen-Akkus unterliegen den Anforderungen der Gefahrgut-Gesetzgebung.** Für kommerzielle Transporte, z. B. durch Dritte oder Spediteure, müssen besondere Anforderungen zu Verpackung und Etikettierung beachtet werden. Zur Vorbereitung des zu transportierenden Artikels ist eine Beratung durch einen Experten für Gefahrgut erforderlich. Bitte beachten Sie möglicherweise ausführlichere nationale Vorschriften. Überkleben oder verdecken Sie offene Kontakte, und verpacken Sie den Akku so, dass er sich in der Verpackung nicht umher bewegen kann.
11. **Entfernen Sie den Akku zum Entsorgen vom Werkzeug, und entsorgen Sie ihn an einem sicheren Ort. Befolgen Sie die örtlichen Vorschriften bezüglich der Entsorgung von Akkus.**
12. **Verwenden Sie die Akkus nur mit den von Makita angegebenen Produkten.** Das Einsetzen der Akkus in nicht konforme Produkte kann zu einem Brand, übermäßiger Hitzebildung, einer Explosion oder Auslaufen von Elektrolyt führen.
13. **Soll das Werkzeug längere Zeit nicht benutzt werden, muss der Akku vom Werkzeug entfernt werden.**
14. **Bei und nach dem Gebrauch kann der Akku heiß werden, was Verbrennungen oder Niedertemperaturverbrennungen verursachen kann.** Beachten Sie die Handhabung von heißen Akkus.
15. **Berühren Sie nicht den Anschlusskontakt des Werkzeugs unmittelbar nach dem Gebrauch, da er heiß genug werden kann, um Verbrennungen zu verursachen.**
16. **Achten Sie darauf, dass sich keine Späne, Staub oder Schmutz in den Anschlusskontakten, Löchern und Nuten des Akkus absetzen.** Es könnte sonst zu Erhitzung, Brandauslösung, Bersten und Funktionsstörungen des Werkzeugs oder des Akkus kommen, was zu Verbrennungen oder Personenschäden führen kann.
17. **Wenn das Werkzeug den Einsatz in der Nähe einer Hochspannungs-Stromleitung nicht unterstützt, benutzen Sie den Akku nicht in der Nähe einer Hochspannungs-Stromleitung.** Dies kann zu einer Funktionsstörung oder Betriebsstörung des Werkzeugs oder des Akkus führen.
18. **Halten Sie die Batterie von Kindern fern.**

DIESE ANWEISUNGEN AUFBEWAHREN.

⚠ VORSICHT: Verwenden Sie nur Original-Makita-Akkus. Die Verwendung von Nicht-Original-Makita-Akkus oder von Akkus, die abgeändert worden sind, kann zum Bersten des Akkus und daraus resultierenden Bränden, Personenschäden und Beschädigung führen. Außerdem wird dadurch die Makita-Garantie für das Makita-Werkzeug und -Ladegerät ungültig.

Hinweise zur Aufrechterhaltung der maximalen Akku-Nutzungsdauer

1. **Laden Sie den Akku, bevor er vollkommen erschöpft ist. Schalten Sie das Werkzeug stets aus, und laden Sie den Akku, wenn Sie ein Nachlassen der Werkzeugleistung feststellen.**
2. **Unterlassen Sie erneutes Laden eines voll aufgeladenen Akkus. Überladen führt zu einer Verkürzung der Nutzungsdauer des Akkus.**
3. **Laden Sie den Akku bei Raumtemperatur zwischen 10 – 40 °C. Lassen Sie einen heißen Akku abkühlen, bevor Sie ihn laden.**
4. **Wenn Sie den Akku nicht benutzen, nehmen Sie ihn vom Werkzeug oder Ladegerät ab.**
5. **Der Akku muss geladen werden, wenn er lange Zeit (länger als sechs Monate) nicht benutzt wird.**

MONTAGE

⚠️ WARNUNG: Vergewissern Sie sich stets, dass der Sperrschlüssel abgezogen ist und die Akkus entfernt worden sind, bevor Sie irgendwelche Arbeiten am Mäher ausführen. Wird das Entfernen des Sperrschlüssels und das Abnehmen der Akkus unterlassen, kann es zu schweren Personenschäden durch versehentliches Anlaufen kommen.

⚠️ WARNUNG: Starten Sie den Mäher niemals, wenn er nicht vollständig zusammengebaut ist. Der Betrieb der Maschine in teilweise zusammengebautem Zustand kann zu schweren Personenschäden durch versehentliches Anlaufen führen.

Montieren des Bügelgriffs

ANMERKUNG: Achten Sie beim Installieren der Bügelgriffe darauf, dass das Kabel nicht zwischen den Bügelgriffen eingeklemmt wird. Falls das Kabel beschädigt wird, funktioniert der Mäherschalter eventuell nicht.

1. Richten Sie das Loch im unteren Bügelgriff auf das Loch im oberen Bügelgriff aus, führen Sie dann die Schraube von außen ein, und ziehen Sie dann die Rändelmutter von innen an. Führen Sie den gleichen Vorgang auf der anderen Seite durch.

Für DLM481/DLM539

- **Abb.1:** 1. Schraube 2. Rändelmutter 3. Unterer Bügelgriff 4. Oberer Bügelgriff

Für DLM480/DLM538

- **Abb.2:** 1. Schraube 2. Rändelmutter 3. Unterer Bügelgriff 4. Oberer Bügelgriff

2. Drehen Sie den Knopf um 90°, während Sie den Knopf am unteren Bügelgriff ziehen, um den Verriegelungsstift zu lösen. Führen Sie den gleichen Vorgang auf der anderen Seite durch. Heben Sie den Bügelgriff an, und drehen Sie dann den Knopf auf beiden Seiten um 90°. Vergewissern Sie sich, dass die Knöpfe sicher fixiert sind.

- **Abb.3:** 1. Knopf

HINWEIS: Das Abstützen des Bügelgriffs erleichtert das Freigeben des Verriegelungsstifts beim Ziehen am Knopf.

Entfernen des Mulchstopfens

1. Öffnen Sie die Rückabdeckung.
► **Abb.4:** 1. Rückabdeckung
2. Heben Sie den Mulchstopfen geringfügig an, und entfernen Sie ihn dann.
► **Abb.5:** 1. Mulchstopfen

Montieren des Graskorbs

1. Heben Sie den oberen Clip des Graskorbs hoch.
► **Abb.6:** 1. Oberer Clip
2. Führen Sie den Rahmen bis zum Anschlag in den Graskorb ein, während Sie den Griff des Rahmens halten.
► **Abb.7:** 1. Griff

ANMERKUNG: Führen Sie den Griff nicht in den Graskorb ein. Führen Sie den Rahmen unbedingt entlang der Masche des Graskorbs ein.

3. Vergewissern Sie sich, dass die Ecken des Graskorbs nicht durchhängen.
► **Abb.8**
4. Öffnen Sie den oberen Clip, und befestigen Sie ihn am Rahmen.
► **Abb.9**
5. Befestigen Sie alle übrigen Clips, wie in der Abbildung gezeigt. Vergewissern Sie sich, dass alle Clips sicher am Rahmen befestigt sind.
► **Abb.10:** 1. Clip

Montieren und Demontieren des Graskorbs

Befolgen Sie zum Montieren des Graskorbs die nachstehenden Schritte.

1. Öffnen Sie die Rückabdeckung.
► **Abb.11:** 1. Rückabdeckung
2. Halten Sie den Griff des Graskorbs, und hängen Sie dann den Graskorb an die Stange der Mähereinheit, wie in der Abbildung gezeigt.
► **Abb.12:** 1. Graskorb 2. Griff 3. Stange

Zum Entfernen des Graskorbs öffnen Sie die Rückabdeckung, und nehmen Sie dann den Graskorb ab, indem Sie den Griff halten.

Anbringen des Mulchstopfens

1. Öffnen Sie die Rückabdeckung, und nehmen Sie dann den Graskorb ab.
► **Abb.13:** 1. Rückabdeckung 2. Graskorb
2. Befestigen Sie den Mulchstopfen, indem Sie ihn bis zum Anschlag hineindrücken, so dass die Vorsprünge am Mulchstopfen in die Löcher an der Maschine passen.
► **Abb.14:** 1. Mulchstopfen 2. Vorsprung

Anbringen und Abnehmen des Akkus

⚠ VORSICHT: Schalten Sie die Maschine stets aus, bevor Sie den Akku anbringen oder abnehmen.

⚠ VORSICHT: Halten Sie die Maschine und den Akku beim Anbringen oder Abnehmen des Akkus sicher fest. Wenn Sie die Maschine und den Akku nicht sicher festhalten, können sie Ihnen aus den Händen rutschen, was zu einer Beschädigung der Maschine und des Akkus und zu Personenschäden führen kann.

⚠ VORSICHT: Verriegeln Sie unbedingt die Akkuabdeckung vor Gebrauch. Anderenfalls können Schlamm, Schmutz oder Wasser eine Beschädigung des Produkts oder der Akkus verursachen.

⚠ VORSICHT: Schieben Sie die Akkus stets bis zum Anschlag ein, bis die rote Anzeige nicht mehr sichtbar ist. Anderenfalls kann er versehentlich aus der Maschine herausfallen und Sie oder umstehende Personen verletzen.

⚠ VORSICHT: Unterlassen Sie Gewaltanwendung beim Anbringen der Akkus. Falls die Akkus nicht reibungslos hineingleiten, sind sie nicht richtig ausgerichtet.

⚠ VORSICHT: Halten Sie die Akkuabdeckung fest, wenn Sie den Akku installieren oder entfernen.

HINWEIS: Die Maschine funktioniert nicht mit nur einem Akku.

Zum Einsetzen der Akkus:

1. Ziehen Sie den Verriegelungshebel hoch, und öffnen Sie dann die Akkuabdeckung.
▶ **Abb.15:** 1. Akkuabdeckung 2. Verriegelungshebel
2. Richten Sie die Feder am Akku auf den Schlitz an der Maschine aus, und schieben Sie dann den Akku hinein, bis er mit einem leisen Klicken einrastet.
▶ **Abb.16:** 1. Akku
3. Führen Sie den Sperrschlüssel bis zum Anschlag in den in der Abbildung gezeigten Schlitz ein.
▶ **Abb.17:** 1. Sperrschlüssel
4. Schließen Sie die Akkuabdeckung, und drücken Sie sie an, bis sie mit dem Verriegelungshebel einrastet.

Zum Entfernen des Akkus:

1. Ziehen Sie den Verriegelungshebel hoch, und öffnen Sie die Akkuabdeckung.
2. Ziehen Sie den Akku aus der Maschine heraus, während Sie den Knopf an der Vorderseite des Akkus verschieben.
3. Ziehen Sie den Sperrschlüssel heraus.
4. Schließen Sie die Akkuabdeckung.

Die Maschine ist mit einem Maschinen-/Akku-Schutzsystem ausgestattet. Dieses System schaltet die Stromversorgung des Motors automatisch ab, um die Lebensdauer von Maschine und Akku zu verlängern. Die Maschine bleibt während des Betriebs automatisch stehen, wenn die Maschine oder der Akku einer der folgenden Bedingungen unterliegt:

Überlastschutz

Wird der Akku auf eine Weise benutzt, die eine ungewöhnlich hohe Stromaufnahme bewirkt, bleibt die Maschine automatisch stehen, und die Hauptbetriebslampe blinkt in Grün. Schalten Sie in dieser Situation die Maschine aus, und brechen Sie die Anwendung ab, die eine Überlastung der Maschine verursacht hat. Schalten Sie dann die Maschine wieder ein, um sie neu zu starten.

Überhitzungsschutz

Wenn die Maschine oder der Akku überhitzt wird, bleibt die Maschine automatisch stehen, und die Hauptbetriebslampe leuchtet in Rot auf. Lassen Sie die Maschine und den Akku in diesem Fall abkühlen, bevor Sie die Maschine wieder einschalten.

Überentladungsschutz

Wenn die Akkukapazität nicht ausreicht, bleibt die Maschine automatisch stehen, und die Hauptbetriebslampe blinkt in Rot. Entfernen Sie in diesem Fall die Akkus aus der Maschine, und laden Sie die Akkus auf, oder tauschen Sie die Akkus gegen voll aufgeladene aus.

Schutz gegen andere Ursachen

Das Schutzsystem ist auch für andere Ursachen ausgelegt, die eine Beschädigung der Maschine bewirken könnten, und ermöglicht automatisches Anhalten der Maschine. Führen Sie alle folgenden Schritte aus, um die Ursachen zu beseitigen, wenn die Maschine zu einem vorübergehenden Stillstand oder Betriebsstopp gekommen ist.

1. Schalten Sie die Maschine aus und wieder ein, um sie neu zu starten.
2. Laden Sie den/die Akku(s) auf, oder tauschen Sie ihn/sie gegen einen aufgeladenen Akku/aufgeladene Akkus aus.
3. Lassen Sie die Maschine und den/die Akku(s) abkühlen.

Falls die Wiederherstellung des Schutzsystems keine Besserung bringt, wenden Sie sich an Ihre lokale Makita-Kundendienststelle.

ANMERKUNG: Falls die Maschine wegen einer oben nicht beschriebenen Ursache stehen bleibt, nehmen Sie auf den Abschnitt zur Fehlersuche Bezug.

Anzeigen der Akku-Restkapazität

► Abb.18: 1. Anzeige Akkuladezustand

















Wenn die Akku-Restkapazität niedrig wird, blinkt die Akku-Anzeige auf der Seite des betreffenden Akkus. Bei weiterer Benutzung bleibt die Maschine stehen, und die Akku-Anzeige leuchtet auf. Laden Sie in dieser Situation den Akku auf.

Anzeigen der Akku-Restkapazität

Nur für Akkus mit Anzeige

► Abb.19: 1. Anzeigelampen 2. Prüftaste

Drücken Sie die Prüftaste am Akku, um die Akku-Restkapazität anzuzeigen. Die Anzeigelampen leuchten wenige Sekunden lang auf.

Anzeigelampen			Restkapazität
 Erleuchtet	 Aus	 Blinkend	
			75% bis 100%
			50% bis 75%
			25% bis 50%
			0% bis 25%
			Den Akku aufladen.
			Möglicherweise liegt eine Funktionsstörung im Akku vor.
			

HINWEIS: Abhängig von den Benutzungsbedingungen und der Umgebungstemperatur kann die Anzeige geringfügig von der tatsächlichen Kapazität abweichen.

HINWEIS: Die erste (äußerste linke) Anzeigelampe blinkt, wenn das Akku-Schutzsystem aktiv ist.

Hauptbetriebsschalter

⚠️ WARNUNG: Schalten Sie den Hauptbetriebsschalter stets aus, wenn das Werkzeug nicht benutzt wird.

► Abb.20: 1. Hauptbetriebslampe 2. Hauptbetriebsschalter

Zum Einschalten der Maschine drücken Sie den Hauptbetriebsschalter. Die Hauptbetriebslampe leuchtet in Grün auf. Zum Ausschalten der Maschine drücken Sie den Hauptbetriebsschalter erneut.

HINWEIS: Falls die Hauptbetriebslampe in Rot aufleuchtet oder in Rot oder Grün blinkt, nehmen Sie auf die Anweisungen für das Maschinen-/Akku-Schutzsystem Bezug.

HINWEIS: Diese Maschine verwendet die Abschaltautomatik. Um unbeabsichtigtes Anlaufen zu vermeiden, wird der Hauptbetriebsschalter automatisch abgeschaltet, wenn der Schalthebel und der Antriebsbügel (sofern vorhanden) eine bestimmte Zeitlang nach dem Einschalten des Hauptbetriebsschalters nicht betätigt wird.

Schalterfunktion

⚠️ WARNUNG: Vergewissern Sie sich vor dem Einsetzen der Akkus stets, dass der Schalthebel ordnungsgemäß funktioniert und beim Loslassen in die Ausgangsstellung zurückkehrt. Der Betrieb der Maschine mit einem fehlerhaften Schalter kann zum Verlust der Kontrolle und zu schweren Personenschäden führen.

HINWEIS: Der Mäher startet nicht, ohne den Schaltknopf zu drücken, selbst wenn der Schalthebel betätigt wird.

HINWEIS: Der Mäher startet möglicherweise nicht aufgrund der Überlastung, wenn Sie versuchen, langes oder dichtes Gras in einem Durchgang zu mähen. Erhöhen Sie in diesem Fall die Mähhöhe.

Dieser Mäher ist mit einem Sperrschlüssel und Griffschalter ausgestattet. Falls Sie etwas Ungewöhnliches beim Sperrschlüssel oder Schalter bemerken, stoppen Sie den Betrieb unverzüglich, und lassen Sie die Teile vom nächsten autorisierten Makita-Servicecenter überprüfen.

Für DLM481/DLM539

1. Setzen Sie die Akkus ein. Führen Sie den Sperrschlüssel ein, und schließen Sie dann die Akkuabdeckung.
2. Drücken Sie den Hauptbetriebsschalter.
3. Ziehen Sie den Schalthebel auf sich zu, während Sie den Schaltknopf gedrückt halten. Lassen Sie den Schaltknopf los, sobald der Motor anläuft.

► Abb.21: 1. Schaltknopf 2. Schalthebel

4. Drücken Sie den Antriebsbügel bei angezogenem Schalthebel nach vorn, und halten Sie ihn dort, um die Hinterräder anzutreiben.

► Abb.22: 1. Antriebsbügel

HINWEIS: Sie können die Hinterräder antreiben, indem Sie den Antriebsbügel nach vorn drücken und halten, ohne den Schalthebel anzuziehen.

5. Lassen Sie den Antriebsbügel und den Schalthebel los, um die Maschine anzuhalten.

Für DLM480/DLM538

1. Setzen Sie die Akkus ein. Führen Sie den Sperrschlüssel ein, und schließen Sie dann die Akkuabdeckung.
2. Drücken Sie den Hauptbetriebsschalter.
3. Ziehen Sie den Schalthebel auf sich zu, während Sie den Schaltknopf gedrückt halten. Lassen Sie den Schaltknopf los, sobald der Motor anläuft.

► Abb.23: 1. Schaltknopf 2. Schalthebel

4. Lassen Sie den Schalthebel los, um den Motor zu stoppen.

Einstellen der Mähhöhe

⚠️ WARNUNG: Halten Sie niemals Ihre Hand oder Ihren Fuß unter die Mähereinheit, wenn Sie die Mähhöhe einstellen.

⚠️ WARNUNG: Vergewissern Sie sich stets, dass der Hebel einwandfrei in der Führungsnut sitzt, bevor Sie den Mäher in Betrieb nehmen.

Die Mähhöhe kann innerhalb des Bereichs zwischen 20 mm und 100 mm eingestellt werden.

Ziehen Sie den Sperrschlüssel ab, ziehen Sie dann den Mähhöhen-Einstellhebel von der Mähereinheit nach außen, und stellen Sie ihn auf die gewünschte Mähhöhe.

► **Abb.24:** 1. Mähhöhen-Einstellhebel

Die nachstehende Tabelle zeigt die Beziehung zwischen der Nummer an der Mähereinheit und der ungefähren Mähhöhe.

Nummer	Mähhöhe
1	20 mm
2	26 mm
3	32 mm
4	40 mm
5	49 mm
6	59 mm
7	70 mm
8	81 mm
9	92 mm
10	100 mm

Halten Sie den unteren Bügelgriff mit einer Hand, und verstellen Sie dann den Mähhöhen-Einstellhebel mit der anderen Hand.

► **Abb.25:** 1. Mähhöhen-Einstellhebel 2. Unterer Bügelgriff

HINWEIS: Die Zahlen der Mähhöhe dienen lediglich als Orientierungshilfe. Je nach den Bedingungen des Rasens oder des Bodens kann die tatsächliche Rasenhöhe geringfügig von der eingestellten Höhe abweichen.

HINWEIS: Machen Sie einen Mähtest an einer unauffälligeren Stelle des Rasens, um die gewünschte Höhe zu erhalten.

Grasfüllstandsanzeige

Die Grasfüllstandsanzeige zeigt die Menge des gemähten Grasses an. Wenn der Graskorb nicht voll ist, schwimmt der Indikator, während die Messer rotieren.

► **Abb.26:** 1. Grasfüllstandsanzeige

Wenn der Graskorb fast voll ist, schwimmt der Indikator nicht, während die Messer rotieren. Brechen Sie in diesem Fall den Betrieb sofort ab, und leeren Sie den Korb.

► **Abb.27:** 1. Grasfüllstandsanzeige

HINWEIS: Diese Anzeige ist eine grobe Orientierungshilfe. Je nach den Bedingungen im Korb funktioniert diese Anzeige u. U. nicht richtig.

Einstellen der Bügelgriffhöhe

Die Bügelgriffhöhe kann in zwei Stufen eingestellt werden.

1. Halten Sie den unteren Bügelgriff, und drehen Sie dann den Knopf um 90°, während Sie den Knopf am unteren Bügelgriff ziehen, um den Verriegelungsstift zu lösen. Führen Sie den gleichen Vorgang auf der anderen Seite durch.

► **Abb.28:** 1. Unterer Bügelgriff 2. Knopf

HINWEIS: Das Abstützen des Bügelgriffs erleichtert das Freigeben des Verriegelungsstifts beim Ziehen am Knopf.

2. Stellen Sie die Höhe des Bügelgriffs ein, und drehen Sie dann den Knopf auf beiden Seiten um 90°. Vergewissern Sie sich, dass die Knöpfe sicher fixiert sind.

► **Abb.29:** 1. Knopf

Einstellen der Fahrgeschwindigkeit

Für DLM481/DLM539

► **Abb.30:** 1. Geschwindigkeits-Einstellhebel

Die Fahrgeschwindigkeit kann mit dem Geschwindigkeits-Einstellhebel eingestellt werden. Um die Geschwindigkeit zu verringern, ziehen Sie den Hebel auf sich zu, und um die Geschwindigkeit zu erhöhen, drehen Sie den Hebel nach vorn.

Verwendung des Mulchstopfens

Der Mulchstopfen ermöglicht es Ihnen, das abgeschnittene Gras auf den Boden zurückzuführen, ohne es im Graskorb aufzusammeln. Wenn Sie die Maschine mit dem Mulchstopfen betreiben, nehmen Sie unbedingt den Graskorb ab.

ANMERKUNG: Wenn Sie die Maschine mit dem Mulchstopfen benutzen, vergewissern Sie sich, dass die Gesamtlänge des Grasses nach dem Mähen 30 mm oder mehr, und die Schnitlänge 15 mm oder weniger beträgt.

► **Abb.31:** (1) 30 mm oder mehr (2) 15 mm oder weniger

Verwendung des hinteren Auswurfs

Bei Verwendung des hinteren Auswurfs ist es möglich, das gemähte Gras von der Rückseite der Maschine auf den Boden zurückzuführen, ohne es im Graskorb aufzusammeln. Wenn Sie die Maschine mit dem hinteren Auswurf betreiben, entfernen Sie unbedingt den Graskorb und den Mulchstopfen, und schließen Sie die Rückabdeckung.

Elektronikfunktionen

Für komfortablen Betrieb ist die Maschine mit Elektronikfunktionen ausgestattet.

- Sanftanlauf beim Fahren
Die Sanftanlauf-Funktion reduziert Anlaufstöße auf ein Minimum und bewirkt ruckfreies Anlaufen der Maschine.
- Elektrische Bremse
Diese Maschine ist mit einer elektrischen Bremse ausgestattet. Falls die Maschine ständig versagt, die Mähmesser nach dem Loslassen des Schalthebels schnell anzuhalten, lassen Sie die Maschine von einem autorisierten Makita-Servicecenter warten.

BETRIEB

Mähen

⚠️ WARNUNG: Bevor Sie mit dem Mähen beginnen, entfernen Sie Äste und Steine vom Mähbereich. Beseitigen Sie vorher auch jegliches Unkraut im Mähbereich.

⚠️ WARNUNG: Tragen Sie bei der Benutzung des Mähers stets eine Schutzbrille mit Seitenschützern.

⚠️ VORSICHT: Falls das gemähte Gras oder Fremdkörper die Innenseite der Mähereinheit blockieren, entfernen Sie unbedingt den Sperrschlüssel und die Akkus, und ziehen Sie Handschuhe an, bevor Sie das Gras oder den Fremdkörper entfernen.

ANMERKUNG: Verwenden Sie diese Maschine nur zum Mähen von Rasen. Mähen Sie kein Unkraut mit dieser Maschine.

▶ Abb.32

Halten Sie den Bügelgriff beim Mähen mit beiden Händen fest. Die Richtlinie der Mähgeschwindigkeit liegt bei ungefähr 7 bis 14 Meter pro 10 Sekunden.

▶ Abb.33

HINWEIS: Falls beim Mähen von langem oder dichtem Rasen nach dem Mähen Unebenheiten in der Rasenlänge oder ein schlechtes Finish festgestellt werden oder die Motordrehzahl während des Mähens abnimmt, verringern Sie die Mähgeschwindigkeit auf einen Wert, der niedriger als in dieser Anleitung empfohlen ist, oder erhöhen Sie die Mähhöhe.

Die Mittellinien der Vorderräder sind die Richtlinien für die Mähbreite. Mähen Sie in Streifen, indem Sie die Mittellinien als Richtlinien verwenden. Überlappen Sie den vorhergehenden Streifen um eine Hälfte bis ein Drittel, um den Rasen gleichmäßig zu mähen.

▶ **Abb.34:** 1. Mähbreite 2. Überlappungsbereich 3. Mittellinie

Wechseln Sie jedes Mal die Mährichtung, um zu verhindern, dass sich eine Grasmaserung nur in einer Richtung bildet.

▶ Abb.35

Überprüfen Sie die Höhe des gemähten Grasses im Graskorb regelmäßig. Entleeren Sie den Graskorb, bevor er ganz voll wird. Stellen Sie vor jeder regelmäßigen Kontrolle den Mäher ab, und entfernen Sie Sperrschlüssel und Akkus.

ANMERKUNG: Die Benutzung des Mähers mit vollem Graskorb verhindert eine reibungslose Messerdrehung und übt eine zusätzliche Last auf den Motor aus, die zu einem Ausfall führen kann.

Mähen von langem Gras

Versuchen Sie nicht, langes Gras in einem Durchgang zu schneiden. Mähen Sie das Gras statt dessen in mehreren Durchgängen. Lassen Sie ein oder zwei Tage zwischen den Mähdurchgängen offen, bis das Gras gleichmäßig kurz wird.

▶ Abb.36

HINWEIS: Das Mähen von langem Gras in einem Durchgang auf eine kurze Länge kann das Absterben des Rasens verursachen. Außerdem kann das gemähte Gras die Innenseite der Mähereinheit blockieren.

HINWEIS: Falls nach dem Mähen Unebenheiten in der Rasenlänge oder ein schlechtes Finish festgestellt werden, oder falls die Motordrehzahl während des Mähens abnimmt, verringern Sie die Mähgeschwindigkeit, oder erhöhen Sie die Mähhöhe.

Leeren des Graskorbs

⚠️ WARNUNG: Um die Unfallgefahr zu reduzieren, sollten Sie den Graskorb regelmäßig auf Beschädigung oder Abschwächung überprüfen. Tauschen Sie den Graskorb nötigenfalls aus.

1. Lassen Sie den Schalthebel und den Antriebsbügel los (für DLM481/DLM539), oder lassen Sie den Schalthebel los (für DLM480/DLM538).

2. Entfernen Sie den Sperrschlüssel.

3. Öffnen Sie die Rückabdeckung, und nehmen Sie den Graskorb an seinem Griff heraus.

▶ **Abb.37:** 1. Rückabdeckung 2. Griff 3. Graskorb

4. Leeren Sie den Graskorb.

WARTUNG

⚠️ WARNUNG: Vergewissern Sie sich stets, dass Sperrschlüssel und Akkus vom Mäher entfernt worden sind, bevor Sie den Mäher lagern oder tragen oder eine Inspektion oder Wartung durchführen.

⚠️ WARNUNG: Ziehen Sie stets den Sperrschlüssel ab, wenn Sie den Mäher nicht benutzen. Bewahren Sie den Sperrschlüssel an einem sicheren Ort außer Reichweite von Kindern auf.

⚠️ WARNUNG: Tragen Sie Handschuhe zur Durchführung von Inspektions- oder Wartungsarbeiten.

⚠️ WARNUNG: Tragen Sie bei der Durchführung von Inspektions- oder Wartungsarbeiten stets eine Schutzbrille mit Seitenschützern.

ANMERKUNG: Verwenden Sie auf keinen Fall Benzin, Waschbenzin, Verdünnern, Alkohol oder dergleichen. Solche Mittel können Verfärbung, Verformung oder Rissbildung verursachen.

Um die SICHERHEIT und ZUVERLÄSSIGKEIT dieses Produkts zu gewährleisten, sollten Reparaturen und andere Wartungs- oder Einstellarbeiten nur von Makita-Vertragswerkstätten oder Makita-Kundendienstzentren unter ausschließlicher Verwendung von Makita-Originalersatzteilen ausgeführt werden.

Wartung

1. Entfernen Sie den Sperrschlüssel und die Akkus, und schließen Sie dann die Akkuabdeckung.
2. Legen Sie den Mäher auf seine Seite. Beseitigen Sie an der Unterseite des Mäherdecks angesammelten Grasschnitt.
3. Gießen Sie Wasser in Richtung der Unterseite der Maschine, an der das Messer angebracht ist.

ANMERKUNG: Waschen Sie die Maschine nicht mit Hochdruck-Wasserstrahl.

4. Überprüfen Sie alle Muttern, Bolzen, Schrauben usw. auf festen Sitz.
5. Überprüfen Sie die beweglichen Teile auf Beschädigung, Bruch und Verschleiß. Beschädigte oder fehlende Teile sind zu reparieren oder zu ersetzen.
6. Lagern Sie den Mäher an einem sicheren Ort außer Reichweite von Kindern.

Für DLM481/DLM539

ANMERKUNG: Übergießen Sie den in der Abbildung gezeigten Bereich nicht mit Wasser. Übergießen der Motoreinheit mit Wasser kann eine Funktionsstörung der Maschine verursachen.

- **Abb.38:** 1. Bereich, der nicht mit Wasser übergossen werden darf

Für DLM481/DLM539

ANMERKUNG: Gießen Sie kein Wasser auf die Maschine, während sie sich in der aufrechten Position befindet, wie in der Abbildung gezeigt. Falls sich die Maschine in der aufrechten Position befindet, kann Wasser an der Motoreinheit herunterlaufen und eine Funktionsstörung der Maschine verursachen.

- **Abb.39**

Tragen des Mähers

⚠ VORSICHT: Vergewissern Sie sich vor dem Tragen des Mähers, dass der Akku und der Sperrschlüssel abgezogen sind.

Halten Sie beim Tragen des Mähers den hinteren Handgriff und den unteren Halteteil an der Vorderseite der Maschine mit zwei Personen, wie in der Abbildung gezeigt.

- **Abb.40:** 1. Unterer Halteteil 2. Hinterer Griff

Lagerung

⚠ VORSICHT: Wenn Sie die Maschine in die aufrechte Position bringen, stellen Sie die Maschine auf eine ebene und stabile Fläche. Wird die Maschine auf eine instabile Fläche gestellt, kann die Maschine umfallen und eine Verletzung verursachen.

Lagern Sie den Mäher an einem kühlen, trockenen und abschließbaren Ort. Lagern Sie Mäher und Ladegerät nicht an Orten, an denen die Temperatur 40 °C erreichen oder überschreiten kann.

1. Entfernen Sie den Akku und den Sperrschlüssel.
2. Drehen Sie den Knopf um 90°, während Sie den Knopf am unteren Bügelgriff ziehen, um den Verriegelungsstift zu lösen. Führen Sie den gleichen Vorgang auf der anderen Seite durch, und klappen Sie dann den Bügelgriff ein.

- **Abb.41:** 1. Knopf

HINWEIS: Das Abstützen des Bügelgriffs erleichtert das Freigeben des Verriegelungsstifts beim Ziehen am Knopf.

3. Drehen Sie den Knopf auf beiden Seiten um 90°. Vergewissern Sie sich, dass die Knöpfe sicher fixiert sind.

Für DLM481/DLM539

- **Abb.42:** 1. Knopf

Für DLM480/DLM538

- **Abb.43:** 1. Knopf

ANMERKUNG: Achten Sie beim Zusammenklappen des Bügelgriffs darauf, dass die Kabel nicht eingeklemmt werden.

4. Lösen Sie die Rändelmuttern auf beiden Seiten, und klappen Sie dann den oberen Bügelgriff um, wie in der Abbildung gezeigt.

- **Abb.44:** 1. Rändelmutter 2. Oberer Bügelgriff

5. Bringen Sie die Maschine in die aufrechte Position.

HINWEIS: Wenn Sie den Mäher in die aufrechte Position bringen, halten Sie nicht nur den Bügelgriff, sondern den Mäherkörper und den Bügelgriff fest.

6. Verstauen Sie den Graskorb so, wie in der Abbildung gezeigt.

- **Abb.45:** 1. Graskorb

- **Abb.46:** 1. Graskorb

Demontieren oder Montieren des Mähermessers

⚠ WARNUNG: Das Messer dreht sich nach dem Loslassen des Schalters noch einige Sekunden weiter. Warten Sie mit der Ausführung von Arbeiten, bis das Messer zu einem vollständigen Stillstand kommt.

⚠ WARNUNG: Entfernen Sie stets den Sperrschlüssel und die Akkus, bevor Sie das Messer demontieren oder montieren. Werden Sperrschlüssel und Akkus nicht entfernt, kann es zu schweren Verletzungen kommen.

⚠ WARNUNG: Tragen Sie stets Handschuhe bei der Handhabung des Messers.

Entfernen des Mähmessers

1. Kippen Sie den Mäher auf seine Seite, so dass der Mähhöhen-Einstellhebel unten liegt.
2. Um das Messer zu verriegeln, führen Sie den Stift bis zum Anschlag in das Loch am Mäherkörper ein.
3. Drehen Sie die Schraube mit dem Steckschlüssel 17 entgegen dem Uhrzeigersinn.
▶ **Abb.47:** 1. Mähermesser 2. Stift 3. Steckschlüssel
4. Entfernen Sie die Schraube, und nehmen Sie dann das Mähermesser ab.
▶ **Abb.48:** 1. Messerhalter 2. Mähermesser 3. Schraube 4. Vorsprung

ANMERKUNG: Vergewissern Sie sich beim Montieren des Mähmessers, dass die Vorsprünge am Messerhalter in die Löcher im Mähermesser passen.

Installieren des Mähmessers

⚠️ WARNUNG: Montieren Sie das Mähermesser sorgfältig. Das Messer hat eine Ober- und Unterseite.

⚠️ WARNUNG: Ziehen Sie dann die Schraube zur Sicherung des Messers im Uhrzeigersinn fest.

⚠️ WARNUNG: Vergewissern Sie sich, dass das Mähermesser und alle Befestigungsteile korrekt montiert und sicher festgezogen sind.

⚠️ WARNUNG: Befolgen Sie beim Auswechseln der Messer stets die Anweisungen in dieser Anleitung.

ANMERKUNG: Denken Sie nach dem Montieren der Mähermesser daran, den Stift von der Mähereinheit zu entfernen.

Zum Montieren der Mähermesser wenden Sie das Demontageverfahren umgekehrt an.

FEHLERSUCHE

Bevor Sie den Reparaturdienst anrufen, führen Sie zunächst Ihre eigene Inspektion durch. Falls Sie ein Problem finden, das nicht in der Anleitung erläutert wird, versuchen Sie nicht, die Maschine zu zerlegen. Wenden Sie sich stattdessen an autorisierte Makita-Kundendienstzentren, und achten Sie darauf, dass stets Makita-Ersatzteile für Reparaturen verwendet werden.

Zustand der Unregelmäßigkeit	Wahrscheinliche Ursache (Funktionsstörung)	Abhilfemaßnahme
Der Mäher startet nicht.	Es sind nicht beide Akkus eingesetzt.	Setzen Sie zwei geladene Akkus ein.
	Akkustörung (Unterspannung)	Laden Sie die Akkus auf. Falls Laden nichts nützt, tauschen Sie die Akkus aus.
	Der Sperrschlüssel ist nicht eingesteckt.	Stecken Sie den Sperrschlüssel ein.
Der Motor bleibt nach kurzer Zeit stehen.	Der Ladestand der Akkus ist niedrig.	Laden Sie die Akkus auf. Falls Laden nichts nützt, tauschen Sie die Akkus aus.
	Die Schnitthöhe ist zu niedrig.	Vergrößern Sie die Schnitthöhe.
	Grasschnitt hat sich im Mäher angesammelt.	Entfernen Sie das angesammelte Gras vom Mäher.
Der Motor erreicht die Maximaldrehzahl nicht.	Die Akkus sind falsch eingesetzt.	Setzen Sie die Akkus gemäß der Beschreibung in dieser Anleitung ein.
	Die Akkuleistung lässt nach.	Laden Sie die Akkus auf. Falls Laden nichts nützt, tauschen Sie die Akkus aus.
	Das Antriebssystem funktioniert nicht korrekt.	Wenden Sie sich bezüglich einer Reparatur an Ihr autorisiertes Kundendienstzentrum.
Das Mähermesser dreht sich nicht: ⇒ Stoppen Sie den Mäher unverzüglich!	Ein Fremdkörper, wie z. B. ein Ast, hat sich in der Nähe des Messers verklemmt.	Entfernen Sie den Fremdkörper.
	Das Antriebssystem funktioniert nicht korrekt.	Wenden Sie sich bezüglich einer Reparatur an Ihr autorisiertes Kundendienstzentrum.
Ungewöhnliche Vibration: ⇒ Stoppen Sie den Mäher unverzüglich!	Das Messer ist unausgeglichen, übermäßig oder ungleichmäßig abgenutzt.	Tauschen Sie das Messer aus.

SONDERZUBEHÖR

⚠ VORSICHT: Die folgenden Zubehörteile oder Vorrichtungen werden für den Einsatz mit der in dieser Anleitung beschriebenen Makita-Maschine empfohlen. Die Verwendung anderer Zubehörteile oder Vorrichtungen kann eine Verletzungsgefahr darstellen. Verwenden Sie Zubehörteile oder Vorrichtungen nur für ihren vorgesehenen Zweck.

Wenn Sie weitere Einzelheiten bezüglich dieser Zubehörteile benötigen, wenden Sie sich bitte an Ihre Makita-Kundendienststelle.

- Mähmesser
- Original-Makita-Akku und -Ladegerät

HINWEIS: Manche Teile in der Liste können als Standardzubehör im Produktpaket enthalten sein. Sie können von Land zu Land unterschiedlich sein.

Makita Europe N.V. Jan-Baptist Vinkstraat 2,
3070 Kortenberg, Belgium

Makita Corporation 3-11-8, Sumiyoshi-cho,
Anjo, Aichi 446-8502 Japan

www.makita.com

885927B976 EN, PL, HU, SK, CS, UK, RO, DE 20211123
