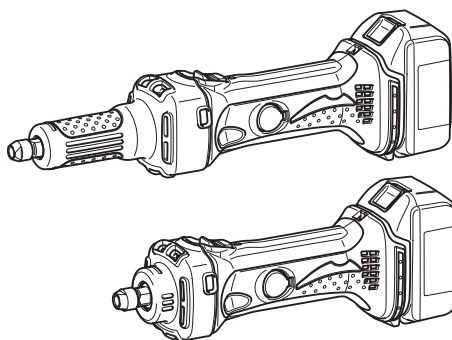




EN	Cordless Die Grinder	INSTRUCTION MANUAL	4
UK	Акумуляторна пряма шліфувальна машина	ІНСТРУКЦІЯ З ЕКСПЛУАТАЦІЇ	10
PL	Akumulatorowa szlifierka prosta	INSTRUKCJA OBSŁUGI	17
RO	Polizor drept fără cablu	MANUAL DE INSTRUCȚIUNI	23
DE	Akku- Geradschleifer	BEDIENUNGSANLEITUNG	29
HU	Vezeték nélküli lyukcsiszoló	HASZNÁLATI KÉZIKÖNYV	36
SK	Akumulátorová priama brúska	NÁVOD NA OBSLUHU	42
CS	Akumulátorová kleštinová bruska	NÁVOD K OBSLUZE	48

DGD800
DGD801



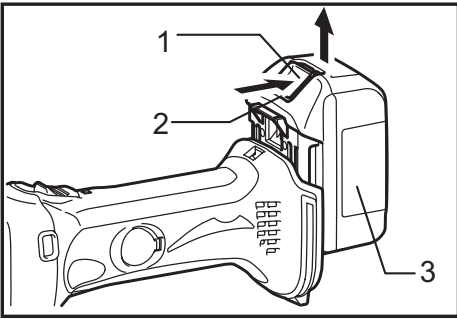


Fig.1

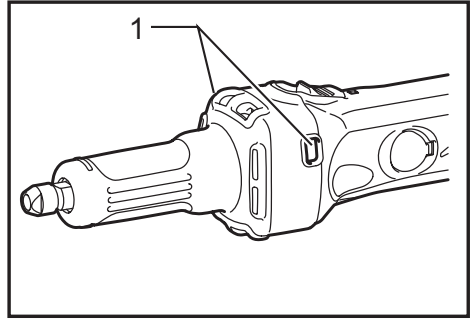


Fig.5

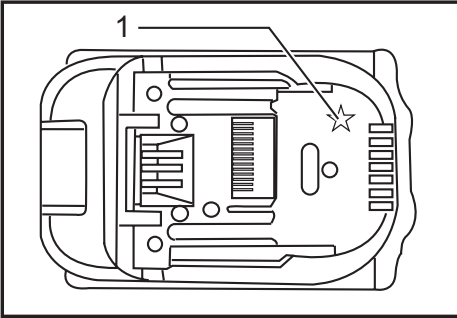


Fig.2

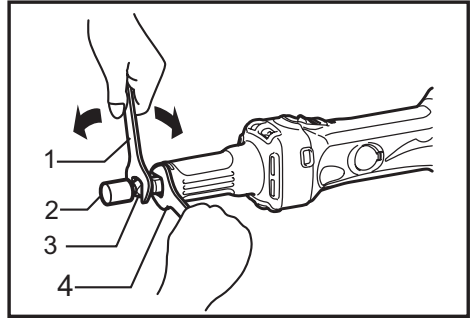


Fig.6

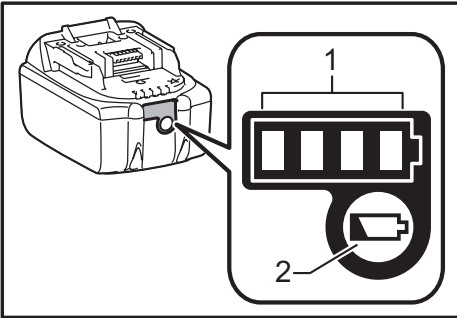


Fig.3

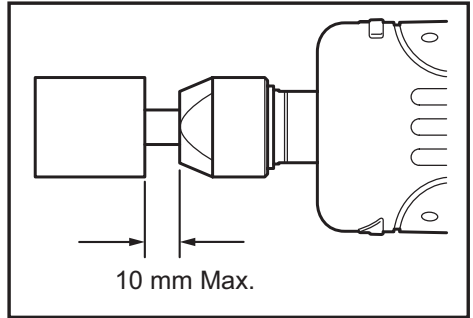


Fig.7

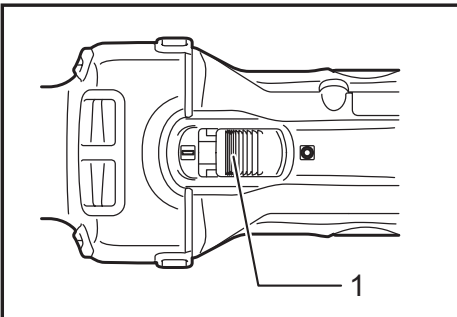


Fig.4

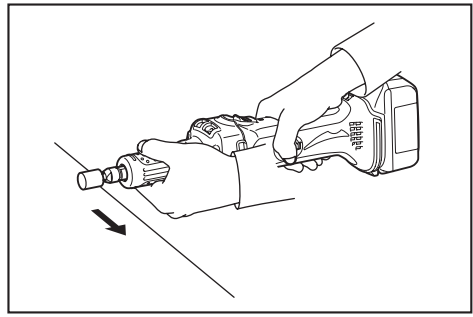


Fig.8

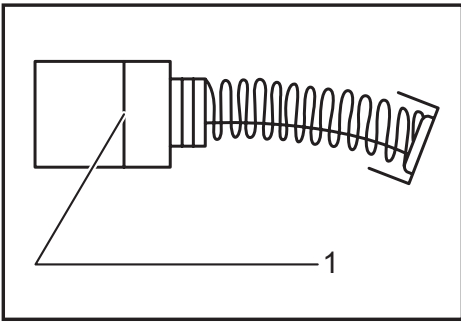


Fig.9

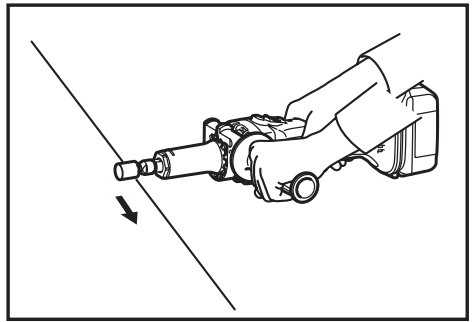


Fig.13

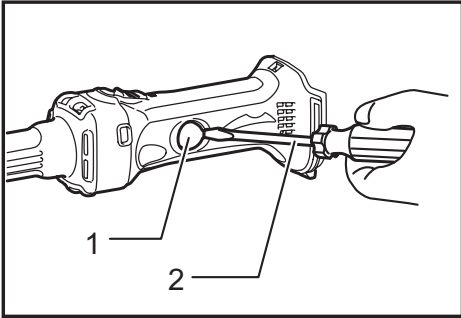


Fig.10

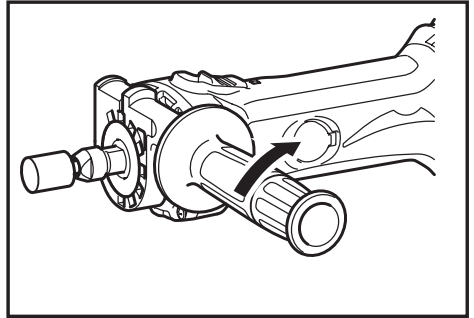


Fig.14

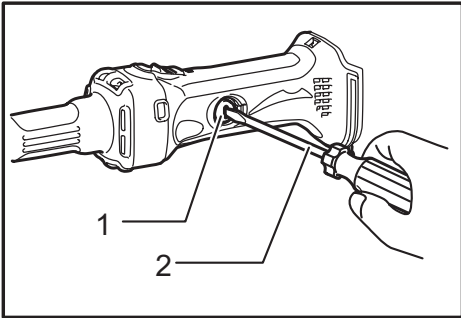


Fig.11

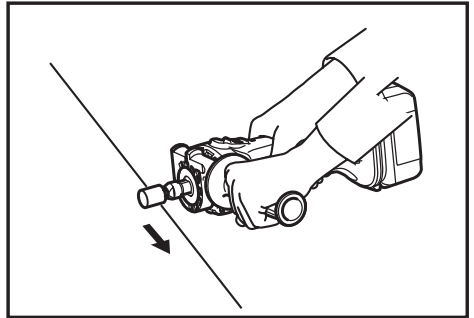


Fig.15

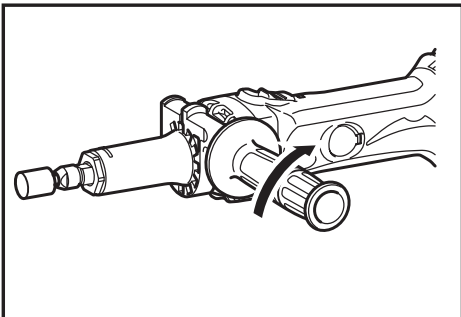


Fig.12

SPECIFICATIONS

Model	DGD800	DGD801
Collet capacity	6 mm or 6.35 mm (1/4")	
Max. wheel point diameter	36 mm	
Max. mandrel (shank) length	46 mm	
No load speed (n_0) / Rated speed (n)	26,000 (min ⁻¹)	
Overall length	402 mm	307 mm
Net weight	2.0 kg	1.7 kg
Rated voltage	D.C. 18 V	

- Due to our continuing program of research and development, the specifications herein are subject to change without notice.
- Specifications and battery cartridge may differ from country to country.
- Weight, with battery cartridge, according to EPTA-Procedure 01/2003

Intended use

The tool is intended for grinding ferrous materials or deburring castings.

Noise

The vibration total value (tri-axial vector sum) determined according to EN60745:

Sound pressure level (L_{pA}) : 72 dB (A)

Uncertainty (K) : 3 dB (A)

The noise level under working may exceed 80 dB (A).

Wear ear protection

Vibration

The vibration total value (tri-axial vector sum) determined according to EN60745:

Model DGD800

Work mode : surface grinding

Vibration emission ($a_{h,SG}$) : 6.5 m/s²

Uncertainty (K) : 1.5 m/s²

Model DGD801

Work mode : surface grinding

Vibration emission ($a_{h,SG}$) : 2.5 m/s² or less

Uncertainty (K) : 1.5 m/s²

NOTE: The declared vibration emission value has been measured in accordance with the standard test method and may be used for comparing one tool with another.

NOTE: The declared vibration emission value may also be used in a preliminary assessment of exposure.

⚠ WARNING: The vibration emission during actual use of the power tool can differ from the declared emission value depending on the ways in which the tool is used.

⚠ WARNING: Be sure to identify safety measures to protect the operator that are based on an estimation of exposure in the actual conditions of use (taking account of all parts of the operating cycle such as the times when the tool is switched off and when it is running idle in addition to the trigger time).

For European countries only

EC Declaration of Conformity

Makita declares that the following Machine(s):

Designation of Machine:

Cordless Die Grinder

Model No./ Type: DGD800, DGD801

Conforms to the following European Directives:

2006/42/EC

They are manufactured in accordance with the following standard or standardized documents:

EN60745

The technical file in accordance with 2006/42/EC is available from:

Makita, Jan-Baptist Vinkstraat 2, 3070, Belgium

10.11.2015



Yasushi Fukaya

Director

Makita, Jan-Baptist Vinkstraat 2, 3070, Belgium

General Power Tool Safety Warnings

⚠ WARNING Read all safety warnings and all instructions. Failure to follow the warnings and instructions may result in electric shock, fire and/or serious injury.

Save all warnings and instructions for future reference.

CORDLESS DIE GRINDER SAFETY WARNINGS

Safety Warnings Common for Grinding Operation:

1. **This power tool is intended to function as a grinder. Read all safety warnings, instructions, illustrations and specifications provided with this power tool.**
Failure to follow all instructions listed below may result in electric shock, fire and/or serious injury.

2. **Operations such as sanding, wire brushing, polishing or cutting-off are not recommended to be performed with this power tool.** Operations for which the power tool was not designed may create a hazard and cause personal injury.
3. **Do not use accessories which are not specifically designed and recommended by the tool manufacturer.** Just because the accessory can be attached to your power tool, it does not assure safe operation.
4. **The rated speed of the grinding accessories must be at least equal to the maximum speed marked on the power tool.** Grinding accessories running faster than their rated speed can break and fly apart.
5. **The outside diameter and the thickness of your accessory must be within the capacity rating of your power tool.** Incorrectly sized accessories cannot be adequately controlled.
6. **The arbour size of accessories must properly fit the collet of the power tool.** Accessories that do not match the mounting hardware of the power tool will run out of balance, vibrate excessively and may cause loss of control.
7. **Mandrel mounted accessories must be fully inserted into the collet or chuck.** If the mandrel is insufficiently held and/or the overhang of the wheel is too long, the mounted accessory may become loose and be ejected at high velocity.
8. **Do not use a damaged accessory. Before each use inspect the accessory such as abrasive wheels for chips and cracks. If power tool or accessory is dropped, inspect for damage or install an undamaged accessory. After inspecting and installing an accessory, position yourself and bystanders away from the plane of the rotating accessory and run the power tool at maximum no-load speed for one minute.** Damaged accessories will normally break apart during this test time.
9. **Wear personal protective equipment. Depending on application, use face shield, safety goggles or safety glasses. As appropriate, wear dust mask, hearing protectors, gloves and workshop apron capable of stopping small abrasive or workpiece fragments.** The eye protection must be capable of stopping flying debris generated by various operations. The dust mask or respirator must be capable of filtering particles generated by your operation. Prolonged exposure to high intensity noise may cause hearing loss.
10. **Keep bystanders a safe distance away from work area. Anyone entering the work area must wear personal protective equipment.** Fragments of workpiece or of a broken accessory may fly away and cause injury beyond immediate area of operation.
11. **Hold the power tool by insulated gripping surfaces only, when performing an operation where the cutting tool may contact hidden wiring.** Cutting accessory contacting a "live" wire may make exposed metal parts of the power tool "live" and could give the operator an electric shock.
12. **Always hold the tool firmly in your hand(s) during the start-up.** The reaction torque of the motor, as it accelerates to full speed, can cause the tool to twist.
13. **Use clamps to support workpiece whenever practical. Never hold a small workpiece in one hand and the tool in the other hand while in use.** Clamping a small workpiece allows you to use your hand(s) to control the tool. Round material such as dowel rods, pipes or tubing have a tendency to roll while being cut, and may cause the bit to bind or jump toward you.
14. **Never lay the power tool down until the accessory has come to a complete stop.** The spinning accessory may grab the surface and pull the power tool out of your control.
15. **After changing the bits or making any adjustments, make sure the collet nut, chuck or any other adjustment devices are securely tightened.** Loose adjustment devices can unexpectedly shift, causing loss of control, loose rotating components will be violently thrown.
16. **Do not run the power tool while carrying it at your side.** Accidental contact with the spinning accessory could snag your clothing, pulling the accessory into your body.
17. **Regularly clean the power tool's air vents.** The motor's fan will draw the dust inside the housing and excessive accumulation of powdered metal may cause electrical hazards.
18. **Do not operate the power tool near flammable materials.** Sparks could ignite these materials.
19. **Do not use accessories that require liquid coolants.** Using water or other liquid coolants may result in electrocution or shock.

Kickback and Related Warnings

Kickback is a sudden reaction to a pinched or snagged rotating accessory. Pinching or snagging causes rapid stalling of the rotating accessory which in turn causes the uncontrolled power tool to be forced in the direction opposite of the accessory's rotation.

For example, if an abrasive wheel is snagged or pinched by the workpiece, the edge of the wheel that is entering into the pinch point can dig into the surface of the material causing the wheel to climb out or kick out. The wheel may either jump toward or away from the operator, depending on direction of the wheel's movement at the point of pinching. Abrasive wheels may also break under these conditions.

Kickback is the result of power tool misuse and/or incorrect operating procedures or conditions and can be avoided by taking proper precautions as given below.

- a) **Maintain a firm grip on the power tool and position your body and arm to allow you to resist kickback forces.** The operator can control kickback forces, if proper precautions are taken.
- b) **Use special care when working corners, sharp edges etc. Avoid bouncing and snagging the accessory.** Corners, sharp edges or bouncing have a tendency to snag the rotating accessory and cause loss of control or kickback.
- c) **Do not attach a toothed saw blade.** Such blades create frequent kickback and loss of control.
- d) **Always feed the bit into the material in the same direction as the cutting edge is exiting from the material (which is the same direction as the chips are thrown).** Feeding the tool in the wrong direction causes the cutting edge of the bit to climb out of the work and pull the tool in the direction of this feed.

Safety Warnings Specific for Grinding:

a) Use only wheel types that are recommended for your power tool and only for recommended applications.

Additional safety warnings:

20. The tool is intended for use with bonded abrasive wheel points (grinding stones) permanently mounted on plain, unthreaded mandrel (shanks).
21. Make sure the wheel is not contacting the workpiece before the switch is turned on.
22. Before using the tool on an actual workpiece, let it run for a while. Watch for vibration or wobbling that could indicate poor installation or a poorly balanced wheel.
23. Use the specified surface of the wheel to perform the grinding.
24. Watch out for flying sparks. Hold the tool so that sparks fly away from you and other persons or flammable materials.
25. Do not leave the tool running. Operate the tool only when hand-held.
26. Do not touch the workpiece immediately after operation; it may be extremely hot and could burn your skin.
27. Observe the instructions of the manufacturer for correct mounting and use of wheels. Handle and store wheels with care.
28. Check that the workpiece is properly supported.
29. If working place is extremely hot and humid, or badly polluted by conductive dust, use a short-circuit breaker (30 mA) to assure operator safety.
30. Do not use the tool on any materials containing asbestos.
31. Always be sure you have a firm footing. Be sure no one is below when using the tool in high locations.

SAVE THESE INSTRUCTIONS.

⚠WARNING: DO NOT let comfort or familiarity with product (gained from repeated use) replace strict adherence to safety rules for the subject product. MISUSE or failure to follow the safety rules stated in this instruction manual may cause serious personal injury.

IMPORTANT SAFETY INSTRUCTIONS

FOR BATTERY CARTRIDGE

1. Before using battery cartridge, read all instructions and cautionary markings on (1) battery charger, (2) battery, and (3) product using battery.
2. Do not disassemble battery cartridge.
3. If operating time has become excessively shorter, stop operating immediately. It may result in a risk of overheating, possible burns and even an explosion.

4. If electrolyte gets into your eyes, rinse them out with clear water and seek medical attention right away. It may result in loss of your eyesight.
5. Do not short the battery cartridge:
 - (1) Do not touch the terminals with any conductive material.
 - (2) Avoid storing battery cartridge in a container with other metal objects such as nails, coins, etc.
 - (3) Do not expose battery cartridge to water or rain.

A battery short can cause a large current flow, overheating, possible burns and even a breakdown.
6. Do not store the tool and battery cartridge in locations where the temperature may reach or exceed 50°C (122°F).
7. Do not incinerate the battery cartridge even if it is severely damaged or is completely worn out. The battery cartridge can explode in a fire.
8. Be careful not to drop or strike battery.
9. Do not use a damaged battery.
10. The contained lithium-ion batteries are subject to the Dangerous Goods Legislation requirements.

For commercial transports e.g. by third parties, forwarding agents, special requirement on packaging and labeling must be observed. For preparation of the item being shipped, consulting an expert for hazardous material is required. Please also observe possibly more detailed national regulations.

Tape or mask off open contacts and pack up the battery in such a manner that it cannot move around in the packaging.
11. Follow your local regulations relating to disposal of battery.

SAVE THESE INSTRUCTIONS.

⚠CAUTION: Only use genuine Makita batteries. Use of non-genuine Makita batteries, or batteries that have been altered, may result in the battery bursting causing fires, personal injury and damage. It will also void the Makita warranty for the Makita tool and charger.

Tips for maintaining maximum battery life

1. Charge the battery cartridge before completely discharged. Always stop tool operation and charge the battery cartridge when you notice less tool power.
2. Never recharge a fully charged battery cartridge. Overcharging shortens the battery service life.
3. Charge the battery cartridge with room temperature at 10°C - 40°C (50°F - 104°F). Let a hot battery cartridge cool down before charging it.
4. Charge the battery cartridge if you do not use it for a long period (more than six months).

FUNCTIONAL DESCRIPTION

⚠ CAUTION:

- Always be sure that the tool is switched off and the battery cartridge is removed before adjusting or checking function on the tool.

Installing or removing battery cartridge

► Fig.1: 1. Button 2. Red indicator 3. Battery cartridge

⚠ CAUTION:

- Always switch off the tool before installing or removing of the battery cartridge.
- **Hold the tool and the battery cartridge firmly when installing or removing battery cartridge.** Failure to hold the tool and the battery cartridge firmly may cause them to slip off your hands and result in damage to the tool and battery cartridge and a personal injury.

To remove the battery cartridge, slide it from the tool while sliding the button on the front of the cartridge.

To install the battery cartridge, align the tongue on the battery cartridge with the groove in the housing and slide it into place. Insert it all the way until it locks in place with a little click. If you can see the red indicator on the upper side of the button, it is not locked completely.

⚠ CAUTION:

- Always install the battery cartridge fully until the red indicator cannot be seen. If not, it may accidentally fall out of the tool, causing injury to you or someone around you.
- Do not install the battery cartridge forcibly. If the cartridge does not slide in easily, it is not being inserted correctly.

Battery protection system

The tool is equipped with a battery protection system. This system automatically cuts off power to the motor to extend battery life.

The tool will automatically stop during operation if the tool and/or battery are placed under one of the following conditions:

- **Overloaded:**
The tool is operated in a manner that causes it to draw an abnormally high current. In this situation, turn the tool off and stop the application that caused the tool to become overloaded. Then turn the tool on to restart. If the tool does not start, the battery is overheated. In this situation, let the battery cool before turning the tool on again.
- **Low battery voltage:**
The remaining battery capacity is too low and the tool will not operate. In this situation, remove and recharge the battery.

NOTE: The overheat protection works only with a battery cartridge with a star mark.

► Fig.2: 1. Star marking

Indicating the remaining battery capacity

(Only for battery cartridges with "B" at the end of the model number.)

► Fig.3: 1. Indicator lamps 2. CHECK button

Press the check button on the battery cartridge to indicate the remaining battery capacity. The indicator lamps light up for few seconds.

Indicator lamps			Remaining capacity
Lighted	Off	Blinking	
■	■	■	75% to 100%
■	■	□	50% to 75%
■	□	□	25% to 50%
□	□	□	0% to 25%
▣	□	□	Charge the battery.
■	■	□	The battery may have malfunctioned.
□	□	■	

NOTE:

- Depending on the conditions of use and the ambient temperature, the indication may differ slightly from the actual capacity.

Switch action

► Fig.4: 1. Slide switch

⚠ CAUTION:

- Before inserting the battery cartridge into the tool, always check to see that the slide switch actuates properly and returns to the "OFF" position when the rear of the slide switch is depressed.
- Switch can be locked in "ON" position for ease of operator comfort during extended use. Apply caution when locking tool in "ON" position and maintain firm grasp on tool.

To start the tool, slide the slide switch toward the "I (ON)" position. For continuous operation, press the front of the slide switch to lock it.

To stop the tool, press the rear of the slide switch, then slide it toward the "O (OFF)" position.

Indication lamp with multi function

► Fig.5: 1. Indication lamp

Indication lamps are located in two positions. When the battery cartridge is inserted on the tool with the slide switch positioned in the "O (OFF)" position, the indication lamp flickers quickly for approximately one second. If it does not flicker so, the battery cartridge or indication lamp has broken.

— Overload protection

- When the tool is overloaded, the indication lamp lights up. When the load on the tool is reduced, the lamp goes out.
- If the tool continues to be overloaded and the indication lamp continues to light up for approximately two seconds, the tool stops. This prevents the motor and its related parts from being damaged.
- In this case, to start the tool again, move the slide switch to the "O (OFF)" position once and then to the "I (ON)" position.

— Battery cartridge replacing signal

- When the remaining battery capacity gets small, the indicator lamp lights up during operation earlier than enough capacity battery use.

— Accidental re-start preventive function

- Even if the battery cartridge is inserted on the tool with the slide switch in the "I (ON)" position, the lamp flickers slowly and this shows that the accidental re-start preventive function is at work.
- To start the tool, first slide the slide switch toward the "O (OFF)" position and then slide it toward the "I (ON)" position.

ASSEMBLY

▲ CAUTION:

- Always be sure that the tool is switched off and the battery cartridge is removed before carrying out any work on the tool.

Installing or removing wheel point

► Fig.6: 1. Wrench 13 2. Wheel point 3. Collet nut 4. Wrench 13

Loosen the collet nut and insert the wheel point into the collet nut. Use one wrench to hold the spindle and the other one to tighten the collet nut securely. The wheel point should not be mounted more than 10 mm from the collet nut. Exceeding this distance could cause vibration or a broken shaft.

► Fig.7

To remove the wheel point, follow the installation procedure in reverse.

▲ CAUTION:

- Use the correct size collet cone for the wheel point which you intend to use.

OPERATION

► Fig.8

Turn the tool on without the wheel point making any contact with the workpiece and wait until the wheel point attains full speed. Then apply the wheel point to the workpiece gently. To obtain a good finish, move the tool in the leftward direction slowly.

▲ CAUTION:

- Apply light pressure on the tool. Excessive pressure on the tool will only cause a poor finish and overloading of the motor.

MAINTENANCE

▲ CAUTION:

- Always be sure that the tool is switched off and the battery cartridge is removed before attempting to perform inspection or maintenance.
- Never use gasoline, benzine, thinner, alcohol or the like. Discoloration, deformation or cracks may result.

Replacing carbon brushes

► Fig.9: 1. Limit mark

Remove and check the carbon brushes regularly. Replace when they wear down to the limit mark. Keep the carbon brushes clean and free to slip in the holders. Both carbon brushes should be replaced at the same time. Use only identical carbon brushes.

► Fig.10: 1. Holder cap cover 2. Screwdriver

Insert the top end of slotted bit screwdriver into the notch in the tool and remove the holder cap cover by lifting it up.

► Fig.11: 1. Brush holder cap 2. Screwdriver

Use a screwdriver to remove the brush holder caps. Take out the worn carbon brushes, insert the new ones and secure the brush holder caps. Reinstall the holder cap cover on the tool. To maintain product SAFETY and RELIABILITY, repairs, any other maintenance or adjustment should be performed by Makita Authorized Service Centers, always using Makita replacement parts.

OPTIONAL ACCESSORIES

⚠ CAUTION:

- These accessories or attachments are recommended for use with your Makita tool specified in this manual. The use of any other accessories or attachments might present a risk of injury to persons. Only use accessory or attachment for its stated purpose.

If you need any assistance for more details regarding these accessories, ask your local Makita Service Center.

Side handle (accessory)

▶ Fig.12

▶ Fig.13

▶ Fig.14

▶ Fig.15

When using the side handle, remove the rubber protector, insert the side handle on the tool barrel as far as it will go and rotate it to the desired angle. Then tighten the handle firmly by turning clockwise.

⚠ CAUTION:

- When using the tool without handle, always install the rubber protector on the tool.
- When installing the rubber protector, always push it onto the tool so that the top round recessed shape of the rubber is positioned near the switch position.

- Wheel points
- Collet cone (3 mm, 6 mm, 8 mm, 1/4", 1/8")
- Collet nut
- Wrench 13
- Side handle set
- Makita genuine battery and charger

NOTE:

- Some items in the list may be included in the tool package as standard accessories. They may differ from country to country.

ТЕХНІЧНІ ХАРАКТЕРИСТИКИ

Модель	DGD800	DGD801
Найбільший діаметр виробу, що підлягає обробці у цанговому патроні	6 мм або 6,35 мм (1/4")	
Максимальний діаметр круглого наконечника	36 мм	
Макс. довжина шпінделя (хвостовика)	46 мм	
Швидкість без навантаження (n_0) / номінальна швидкість (n)	26000 (хв ⁻¹)	
Загальна довжина	402 мм	307 мм
Чиста вага	2,0 кг	1,7 кг
Номінальна напруга	18 В пост. струму	

- Через те, що ми не припиняємо програми досліджень і розвитку, наведені тут технічні характеристики можуть бути змінені без попередження.
- Технічні характеристики приладу та касета з акумулятором можуть відрізнятися в різних країнах.
- Вага разом з касетою з акумулятором відповідно до EPTA-Procedure 01/2003

Призначення

Інструмент призначено для шліфування металевих деталей або видалення дефектів на литих деталях.

Шум

Рівень шуму за шкалою А у типовому виконанні, визначений відповідно до EN60745:

Рівень звукового тиску (L_{pA}): 72 дБ (А)

Похибка (К): 3 дБ (А)

Рівень шуму під час роботи може перевищувати 80 дБ (А).

Користуйтеся засобами захисту слуху

Вібрація

Загальна величина вібрації (сума трьох векторів) визначена згідно з EN60745:

Модель DGD800

Режим роботи: полірування поверхні

Вібрація ($a_{h,SC}$): 6,5 м/с²

Похибка (К): 1,5 м/с²

Модель DGD801

Режим роботи: полірування поверхні

Вібрація ($a_{h,SC}$): 2,5 м/с² або менше

Похибка (К): 1,5 м/с²

ПРИМІТКА: Заявлене значення вібрації було виміряно у відповідності до стандартних методів тестування та може використовуватися для порівняння одного інструмента з іншим.

ПРИМІТКА: Заявлене значення вібрації може також використовуватися для попередньої оцінки впливу.

⚠ ПОПЕРЕДЖЕННЯ: Залежно від умов використання вібрація під час фактичної роботи інструмента може відрізнятися від заявленого значення вібрації.

⚠ ПОПЕРЕДЖЕННЯ: Забезпечте належні запобіжні заходи для захисту оператора, що відповідатимуть умовам використання інструмента (слід брати до уваги всі складові робочого циклу, такі як час, коли інструмент вимкнено та коли він починає працювати на холостому ході під час запуску).

Тільки для країн Європи

Декларація про відповідність стандартам ЄС

Компанія Makita наголошує на тому, що обладнання:

Позначення обладнання:

Акумуляторна пряма шліфувальна машина № моделі/тип: DGD800, DGD801

Відповідає таким Європейським Директивам:
2006/42/EC

Обладнання виготовлене відповідно до таких стандартів або стандартизованих документів:
EN60745

Технічну інформацію відповідно до 2006/42/EC можна отримати:

Makita, Jan-Baptist Vinkstraat 2, 3070, Бельгія

10.11.2015



Ясуші Фукайя

Директор

Makita, Jan-Baptist Vinkstraat 2, 3070, Бельгія

Застереження стосовно техніки безпеки при роботі з електроприладами

⚠ УВАГА! Прочитайте усі застереження стосовно техніки безпеки та всі інструкції. Недотримання даних застережень та інструкцій може призвести до ураження струмом та виникнення пожежі та/або серйозних травм.

Збережіть усі інструкції з техніки безпеки та експлуатації на майбутнє.

ПОПЕРЕДЖЕННЯ ПРО НЕОБХІДНУ ОБЕРЕЖНІСТЬ ПІД ЧАС РОБОТИ З АКУМУЛЯТОРНОЮ ПРЯМОЮ ШЛІФУВАЛЬНОЮ МАШИНОЮ

Загальні Запобіжні засоби під час шліфування:

- 1. Цей електроінструмент призначений для шліфування. Уважно ознайомся з усіма попередженнями про безпеку, інструкціями, ілюстраціями та технічними характеристиками цього електроінструменту. Невиконання цих інструкцій може призвести до ураження електричним струмом, пожежі та/або серйозного поранення.**
- 2. За допомогою цього інструменту не рекомендовано виконувати такі операції як шліфування, чищення металу за допомогою металевієї щітки, полірування або відрізання. Використання інструменту не за призначенням може утворити небезпечне становище та призвести до поранення.**
- 3. Не слід використовувати допоміжні приналежності, які спеціально не призначені та не рекомендовані для цього інструменту виробником. Навіть якщо вони добре приєднуються до інструменту, це не гарантує безпечної експлуатації.**
- 4. Номінальна частота обертання шліфувального приладдя має щонайменше дорівнювати максимальній частоті обертання, указаний на електроінструменті. Шліфувальне приладдя, що обертається із частотою, більшою за номінальну, може зламати його і відскочити.**
- 5. Зовнішній діаметр та товщина вашого приладдя повинні бути у межах паспортної потужності вашого електроінструменту. Приладдя неналежних розмірів не можна контролювати належним чином.**
- 6. Розмір приладдя повинен відповідним чином підходити до цаги електроінструменту. Приладдя, що не підходить до кріплення електроінструменту, зазнає розбалансування і надмірної вібрації та може спричинити втрату контролю.**
- 7. Установлюване на шпindel приладдя необхідно до кінця вставляти у цагу або патрон. Якщо шпindel тримається не дуже добре і/або диск виступає занадто сильно, встановлене приладдя може послабитися і відлетіти на високій швидкості.**
- 8. Не слід користуватися пошкодженим приладдям Щоразу перед користуванням слід перевіряти допоміжне приладдя, наприклад абразивні кола на наявність тирси та тріщин. У разі падіння інструменту або приладдя, слід оглянути їх на наявність пошкоджень або встановити неушкоджене приладдя. Після огляду та встановлення приладу, слід зайняти таке положення, коли ви та ваші сусіди знаходяться на відстані від площини приладу, що обертається, запустіть інструмент та дайте йому попрацювати на максимальній швидкості без навантаження протягом однієї хвилини. Під час цього пробного прогону uszkodжені прилади, як правило, розбиваються.**
- 9. Слід одягати засоби індивідуального захисту. Слід користуватися щитком-маскою, захисними окулярами або захисними лінзами відповідно до області застосування. Це означає, що слід одягати пілозахисну маску, засоби захисту органів слуху, рукавиці та фартух, які здатні затримувати дрібні частки деталей та наждаку. Засоби захисту органів зору повинні бути здатними затримувати сміття, що утворюється під час виконання різних операцій. Пілозахисна маска або респиратор повинні бути здатними фільтрувати часточки, що утворюються під час роботи. Тривалий вплив сильного шуму може призвести до втрати слуху.**
- 10. Сторонні особи повинні знаходитися на безпечному відстані від місця роботи. Кожний, хто приходить в робочу зону повинен одягати засоби індивідуального захисту. Частки деталі або уламки приладдя може відлетіти за межі безпосередньої зони роботи та поранити.**
- 11. Тримайте електроприлад тільки за призначені для цього ізольовані поверхні під час виконання дії, за якої різальний інструмент може зачепити сховану електропроводку. Торкання різальним приладдям дроту під напругою може призвести до передавання напруги до оголених металевих частин інструмента й ураження оператора електричним струмом.**
- 12. Завжди міцно тримайте інструмент у руці (руках) під час запуску. Реакційний момент двигуна, коли він прискорюється до повної швидкості, може спричинити прокручування інструмента.**
- 13. По можливості використовуйте затискачі для утримання оброблюваної деталі. Під час використання ніколи не тримайте невелику оброблювану деталь в одній руці, а інструмент – в іншій руці. Затискання невеликої оброблюваної деталі дозволить вам використовувати руку (руки) для контролю над інструментом. Круглі деталі, такі як штирі або труби, мають тенденцію до обертання під час їх різання, і це може призвести до того, що наконечник застрягне або відскочить у ваш бік.**
- 14. Не слід класти інструмент доки прилад повністю не зупиниться. Змочуючий пристрій може захопити шнур та вивратити його з-під контролю.**
- 15. Після заміни наконечника або будь-яких регульовань перевіряйте, щоб гайка цаги, патрон або будь-які інші регульовальні пристрої були надійно затягнуті. Незакріплені регульовальні пристрої можуть несподівано зміститися, що спричинить втрату контролю, а ослаблені компоненти, що обертаються, відлетять з великою швидкістю.**
- 16. Не слід запускати інструмент, коли ви його тримаєте збоку себе. Випадкове стикання зі працюючим пристроєм може захопити ваш одяг, що в свою чергу може призвести до руху приладу до вас.**
- 17. Слід регулярно чистити вентиляційні отвори інструменту. Вентилятор двигуна втягує пил усередину кожуха, а надмірне скупчення металевого порошку створює ризик ураження електричним струмом.**

18. **Не слід працювати біля легкозаймистих матеріалів.** Вони можуть спалахнути від іскри.
19. **Не слід застосовувати допоміжне приладдя, що потребує рідких охолоджувачів.** Використання води, або рідких охолоджувачів може призвести по ураження електричним струмом або смерті.
24. **Остерігайтесь іскри.** Тримайте інструмент таким чином, щоб іскри відлітали від вас та інших людей або займистих матеріалів.
25. **Не залишайте інструмент працюючим.** Працюйте з інструментом тільки тоді, коли тримаєте його в руках.

Віддача та відповідні попередження

Віддача – це несподівана реакція на защемлення або чіпання приладдя, що обертається. Защемлення або чіпання призводять до швидкого зупинення приладдя, що обертається, і це в свою чергу спричиняє штовхання неконтрольованого електроінструмента у напрямку, протилежному напрямку обертання приладдя. Наприклад, у разі защемлення або чіпання абразивного диска деталлю край диска, що входить до місця защемлення, може зануритися в поверхню матеріалу, і це призведе до відскоку диска і до віддачі. Диск може відскокити до або від оператора залежно від напрямку руху диска в місці защемлення. За таких умов абразивні диски можуть зламатися. Причинами віддачі є неправильне користування електроінструментом та/або неправильний порядок експлуатації або умови експлуатації, та їх можна уникнути, дотримуючись запобіжних заходів, наведених нижче.

- a) **Міцно тримайте електроінструмент, займайте таку позицію і тримайте руки таким чином, щоб ви могли протистояти силі віддачі.** Оператор може контролювати силу віддачі, якщо вжити належних заходів.
- b) **Будьте особливо пильними під час обробки кутів, гострих країв тощо. Уникайте підсакування та чіпання приладдя.** Кути, гострі краї або підсакування призводять до чіпання приладдя, що обертається, і це в свою чергу спричиняє втрату контролю та віддачу.
- c) **Забороно встановлювати полотно зубчастої пили.** Такі полотна спричиняють часту віддачу та призводять до втрати контролю.
- d) **Завжди подавайте наконечник в матеріал у тому ж напрямку, у якому різальний край виходить з матеріалу (напряму вилітання стружки).** Подача інструмента в невірному напрямку призводить до того, що різальний край наконечника виходить з деталі і тягне інструмент у напрямку цієї подачі.

Спеціальні запобіжні засоби під час шліфування:

- a) **Використовуйте тільки ті типи дисків, що рекомендовані для вашого електроінструмента, і робіть це тільки за рекомендованим призначенням.**

Додаткові попередження про безпеку:

20. **Інструмент призначений для використання з абразивними круглими наконечниками зі зв'язкою (точильними каменями), постійно встановленими на простому, нерізьбовому шпindelі (хвостовику).**
21. **Перевірте, щоб диск не торкався деталі перед увімкненням.**
22. **Перед початком різання деталі, запустіть інструмент та дайте попрацювати йому деякий час.** Перевірте чи є биття або коливання, це може вказувати на неправильне встановлення або балансування диска.
23. **Слід застосовувати зазначену поверхню диска для шліфування.**
26. **Не торкайтесь деталі одразу після різання, вона може бути дуже гарячою та призвести до опіку шкіри.**
27. **Для того, щоб правильно встановити та використовувати диск, слід дотримуватись інструкцій виробника.** Слід дбайливо поводитися та зберігати диск.
28. **Перевірте надійність опори деталі.**
29. **Для забезпечення безпеки оператора слід застосовувати автоматичний вимикач (30 МА), якщо робоче місце надмірно гаряче та вологе, або дуже забруднюється пилом.**
30. **Не слід застосовувати інструмент для роботи з матеріалом, що містить азбест.**
31. **Завжди перевіряйте надійність опори.** Під час користування інструментом нагорі, слід завжди стежити, щоб нікого не було внизу.

ЗБЕРІГАЙТЕ ЦЬОЇ ВКАЗІВКИ.

▲ПОПЕРЕДЖЕННЯ: НІКОЛИ НЕ СЛІД втрачати пильності та розслаблюватися під час користування виробом (що трапляється при частому використанні); слід завжди строго дотримуватися правил безпеки під час використання цього пристрою. **НЕНАЛЕЖНЕ ВИКОРИСТАННЯ** або недотримання правил безпеки, викладених в цьому документі, може призвести до серйозних травм.

ВАЖЛИВІ ІНСТРУКЦІЇ БЕЗПЕКИ

ДЛЯ КАСЕТИ АКУМУЛЯТОРА

1. **Перед тим як користуватися касетою акумулятора, слід прочитати усі інструкції та попереджуючі відмітки щодо (1) зарядний пристрій акумулятора, (2) акумулятор та (3) виробу, що працюють від акумулятора.**
2. **Не слід розбирати касету акумулятора.**
3. **Якщо період роботи дуже покортшав, слід негайно припинити користування.** Це може призвести до ризику перегріву, опіку та навіть вибуху.
4. **Якщо електродит потрапив до очей, слід промити їх чистою водою та негайно звернутися до медичного закладу.** Це може призвести до втрати зору.
5. **Не закоротіть касету акумулятора.**
 - (1) **Не слід торкатися клем будь-яким струмомпровідним матеріалом.**
 - (2) **Не слід зберігати касету акумулятора в емності з іншими металевими предметами, такими як цвяхи, монети і т.д.**
 - (3) **Не виставляйте касету з батареєю під дощ чи сніг.**

Коротке замикання може призвести до появи значного струму, перегріву та можливим опікам та навіть поломки.

6. Не слід зберігати інструмент та касету з акумулятором в містах, де температура може сягнути та перевищити 50гр.°C (122°F).
7. Не слід спалювати касету з акумулятором навіть, якщо вона була неодноразово пошкоджена або повністю спрацьована. Касета з акумулятором може вибухнути в огні.
8. Не слід кидати або ударяти акумулятор.
9. Не слід використовувати пошкоджений акумулятор.
10. Поводження з літій-іонними акумуляторами вимагає дотримання вимог законодавства щодо транспортування небезпечних вантажів
Під час здійснення комерційного перевезення, наприклад, третьою стороною або агентом-експедитором необхідно дотримуватися спеціальних вимог, зазначених на упаковці та етикетці товару.
Готуючи товар до відправлення, необхідно звернутися за консультацією до експерта з небезпечних матеріалів. Також слід дотримуватися більш детальних норм місцевого законодавства, якщо такі існують.
Заклейте захисною стрічкою або закрийте відкриті контакти та запакуйте акумулятор таким чином, щоб він не рухався в упаковці.
11. Дотримуйтеся норм місцевого законодавства стосовно утилізації акумуляторів.

ЗБЕРІГАЙТЕ ЦІ ВКАЗІВКИ.

⚠ЗАСТЕРЕЖЕННЯ: Використовуйте тільки оригінальні акумулятори Makita.

Використання неоригінальних акумуляторів Makita або акумуляторів, конструкцію яких було змінено, може спричинити розрив акумулятора, що призведе до виникнення пожежі, отримання травм або пошкодження майна. Це також скасовує гарантію компанії Makita на інструмент та зарядний пристрій Makita.

Поради по забезпеченню максимального строку експлуатації акумулятора

1. Касету з акумулятором слід заряджати до того, як він розрядиться повністю. Завжди слід зупинити роботу інструменту та зарядити акумулятор, якщо ви помітили зменшення потужності інструменту.
2. Ніколи не слід заряджати повторно повністю заряджену касету з акумулятором. Перезарядження скорочує строк експлуатації акумулятора.
3. Касету з акумулятором слід заряджати при кімнатній температурі 10°C - 40°C (50°F - 104°F). Перед тим як заряджати касету з акумулятором слід зачекати доки вона охолоне.
4. Якщо Ви не користувалися касетою з акумулятором упродовж тривалого часу (більше шести місяців), її необхідно зарядити.

ІНСТРУКЦІЯ З ВИКОРИСТАННЯ

⚠ОБЕРЕЖНО:

- Завжди перевіряйте, щоб прилад був вимкнений, а касета з акумулятором була знята, перед регулюванням або перевіркою функціонування інструмента.

Встановлення та зняття касети з акумулятором

- **Рис.1:** 1. Кнопка 2. Червоний індикатор 3. Касета з акумулятором

⚠ОБЕРЕЖНО:

- Завжди вимикайте інструмент перед встановленням або зніманням касети з акумулятором.
- Під час встановлення або зняття касети з акумулятором надійно утримуйте інструмент і касету з акумулятором. Інакше інструмент або касета з акумулятором можуть вислизнути з рук, що може призвести до травм або пошкодження інструмента й касети з акумулятором.

Щоб зняти касету з акумулятором, слід витягнути її з інструмента, натиснувши на кнопку в передній частині касети.

Щоб установити касету з акумулятором, слід сумістити шпонку касети з акумулятором із пазом у корпусі та вставити касету на місце. Уставляйте її, доки не почуєте клацання. Якщо на верхній частині кнопки видно червоний індикатор, це означає, що вона заблокована не повністю.

⚠ОБЕРЕЖНО:

- Завжди уставляйте касету повністю, аж поки червоний індикатор стане невидимим. Якщо цього не зробити, касета може випадково випасти з інструмента та завдати травми вам або людям, що знаходяться поруч.
- Не встановлюйте касету з акумулятором із зусиллям. Якщо касета не вставляється легко, то це означає, що Ви її невірно вставляєте.

Система захисту акумулятора

Інструмент оснащено системою захисту акумулятора. Ця система автоматично вимикає живлення двигуна з метою збільшення робочого часу акумулятора.

Інструмент буде автоматично вимкнений під час роботи, якщо він та/або акумулятор знаходиться в таких умовах:

- **Перенавантаження:**

Інструмент споживає струм занадто високої потужності під час роботи.

У такому разі вимкніть інструмент та припиніть роботу, що призвела до його перенавантаження. Для повторного запуску знову увімкніть інструмент.

Якщо інструмент неможливо запустити, це означає, що акумулятор перегрівся. У такому разі дозвольте акумулятору охолонути, перш ніж знову увімкнути інструмент.

- **Низька напруга акумулятора:**

Залишковий заряд акумулятора занадто низький, тому інструмент не буде працювати. У такому разі зніміть та зарядіть акумулятор.

ПРИМІТКА: Захист від перегріву працює тільки у тому випадку, якщо використовується касета акумулятора із символом зірочки.

► **Рис.2:** 1. Маркувальна зірочка

Відображення залишкового заряду акумулятора

(Тільки для касети з акумулятором, номер моделі якої закінчується літерою "B".)

► **Рис.3:** 1. Індикаторні лампи 2. Кнопка ПЕРЕВІРКА

Натисніть кнопку перевірки залишкового заряду акумулятора на касеті з акумулятором, щоб відобразити залишковий заряд акумулятора. Індикатори горітимуть декілька секунд.

Індикаторні лампи			Залишковий заряд
Горить	ВИМК.	Мигає	
■	□	▬	75 % - 100 %
■	■	□	
■	■	□	
■	□	□	50 % - 75 %
■	□	□	25 % - 50 %
■	□	□	0 % - 25 %
▬	□	□	Зарядіть акумулятор.
■	■	□	Можливо, виникли проблеми в роботі акумулятора.
□	□	■	

ПРИМІТКА:

- Залежно від умов використання та температури оточуючого середовища показання можуть незначним чином відрізнятись від дійсного ресурсу.

Дія вимикача

► **Рис.4:** 1. Повзунковий перемикач

⚠ОБЕРЕЖНО:

- Перед тим, як увімкнути інструмент в сіть, слід завжди перевіряти, щоб повзунковий перемикач працював належним чином та повертався у положення "ВИМК.", коли натискається задня частина повзункового перемикача.
- Перемикач може бути заблокований в увімкненому положенні для зручності оператора протягом тривалого використання. Блокуючи інструмент в увімкненому положенні слід бути обережним і міцно тримати інструмент.

Для того, щоб запустити інструмент, слід пересунути повзунковий перемикач в положення "I (ВМК.)". Для безперервної роботи слід натиснути на передню частину повзункового перемикача, щоб його заблокувати.

Для зупинення інструмента слід натиснути на задню частину повзункового перемикача у напрямку положення "O (ВИМК.)".

Багатофункціональна лампочка індикатора

► **Рис.5:** 1. Лампочка індикатора

Лампочки індикатора розташовані в двох місцях. Коли касета з акумулятором вставляється в інструмент із повзунковим перемикачем в положенні "O (ВИМК.)", лампочка індикатора швидко мигає приблизно протягом однієї секунди. Якщо вона не мигає таким чином, то це означає, що вийшов із строю або акумулятор або лампочка індикатора.

- **Захист від перевантаження**
 - Коли інструмент перевантажений, загоряється лампочка індикатора. Коли навантаження на інструмент зменшується, лампочка гасне.
 - Якщо перевантаження інструмента продовжується, та лампочка індикатора продовжує горіти протягом більш ніж двох секунд, то інструмент зупиняється. Це запобігає пошкодженню мотора та сплучених деталей.
 - В такому випадку слід ще раз запустити інструмент, один раз пересунути повзунковий перемикач в положення "O (ВИМК.)", а потім в положення "I (ВМК.)"
- **Сигнал заміни касети з акумулятором**
 - Коли заряд акумулятора закінчується, перед тим, як потужності батареї стане недостатньо, під час роботи загоряється лампа індикатора.

- **Функція запобігання випадковому пускові**
 - Навіть якщо касета з акумулятором вставляється в інструмент, коли повзунковий перемикач знаходиться в положенні "I (ВМК.)", інструмент не запускається. В такому випадку лампочка повільно мигає, показуючи, що була задіяна функція запобігання випадковому пускові.
 - Для того, щоб запустити інструмент, слід пересунути повзунковий перемикач в напрямку положення "O (ВИМК.)", а потім перемкнути його в положення "I (ВМК.)".

КОМПЛЕКТУВАННЯ

⚠ОБЕРЕЖНО:

- Завжди перевіряйте, щоб прилад був вимкнений, а касета з акумулятором була знята, перед тим, як проводити будь-які роботи на інструменті.

Встановлення або зняття круглого наконечника

- **Рис.6:** 1. Ключ 13 2. Круглий наконечник 3. Гайка цанги 4. Ключ 13

Послабте гайку манжети, та вставте круглий наконечник в гайку манжети. За допомогою одного ключа утримуйте шпindel, а другим ключем надійно затягніть гайку манжети.

Круглий наконечник неможна встановлювати на відстані більше 10 мм від гайки манжети. Перевищення цієї відстані може призвести до вібрації та поломки вала.

► Рис.7

Для того, щоб зняти диск, виконайте процедуру його встановлення у зворотному порядку.

⚠ОБЕРЕЖНО:

- Слід використовувати конус цанги вірного розміру для круглого наконечника, який збирається використовувати.

ЗАСТОСУВАННЯ

► Рис.8

Увімкніть інструмент та заждіть, доки наконечник набере повної швидкості, не торкаючись полотном будь-якого предмету. Потім обережно підведіть наконечник до деталі. Для того, щоб отримати добру якість обробки, повільно пересувайте інструмент ліворуч.

⚠ОБЕРЕЖНО:

- Злегка притискайте інструмент. Надмірний тиск на інструмент призведе тільки до поганої якості обробки та перевантаження мотора.

ТЕХНІЧНЕ ОБСЛУГОВУВАННЯ

⚠ОБЕРЕЖНО:

- Завжди перевіряйте, щоб прилад був вимкнений, а касета з акумулятором була знята, перед проведенням перевірки або обслуговування.
- Ніколи не використовуйте газолін, бензин, розріджувач, спирт та подібні речовини. Їх використання може призвести до зміни кольору, деформації та появи тріщин.

Заміна вугільних щіток

► Рис.9: 1. Обмежувальна відмітка

Регулярно знімайте та перевіряйте вугільні щітки. Заміняйте їх, коли знос сягає граничної відмітки. Вугільні щітки повинні бути чистими та вільно рухатись у щіткотримачах. Одночасно треба замінювати обидві вугільні щітки. Використовуйте лише однакові вугільні щітки.

► Рис.10: 1. Кришка ковпачка держака 2. Викрутка

Вставте верхній кінець викрутки із шліцованим наконечником в проріз та зніміть кришку ковпачка держака, піднявши її.

► Рис.11: 1. Ковпачок щіткотримача 2. Викрутка

Для виймання ковпачків щіткотримачів користуйтеся викруткою. Видаліть зношені вугільні щітки, вставте нові та закріпіть ковпачки щіткотримачів.

Встановіть кришку ковпачка держака назад на інструмент.

Для того, щоб підтримувати БЕЗПЕКУ та НАДІЙНІСТЬ, ремонт, технічне обслуговування або регулювання мають виконувати уповноважені центри обслуговування "Макіта", де використовуються лише стандартні запчастини "Макіта".

ДОДАТКОВЕ ПРИЛАДДЯ

⚠ОБЕРЕЖНО:

- Це оснащення або приладдя рекомендовано для використання з інструментами "Макіта", що описані в інструкції з експлуатації. Використання якогось іншого оснащення або приладдя може спричинити травмування. Оснащення або приладдя слід використовувати лише за призначенням.

У разі необхідності, отримати допомогу в більш детальному ознайомленні з оснащенням звертайтеся до місцевого Сервісного центру "Макіта".

Бокова ручка (приладдя)

► Рис.12

► Рис.13

► Рис.14

► Рис.15

У разі використання точильного каменя слід зняти гумовий протектор, встановити до упора бокову ручку на барабан інструмента та повернути її на необхідний кут. Після цього ручку слід добре затягнути, повертаючи її по годинниковій стрілці.

⚠ОБЕРЕЖНО:

- У разі використання інструмента без ручки, на нього слід завжди встановлювати гумовий протектор.
- Встановлюючи гумовий протектор на інструмент, завжди робіть це таким чином, щоб кругла виїмка на верхній частині гумового протектора розташовувалася біля перемикача.

- Круглі наконечники
- Конус цанги (3 мм, 6 мм, 8 мм, 1/4", 1/8")
- Гайка манжети
- Ключ 13
- Комплект бокової ручки
- Оригінальний акумулятор та заряджаючий пристрій Makita

ПРИМІТКА:

- Деякі елементи списку можуть входити до комплекту інструмента як стандартне приладдя. Вони можуть відрізнятися залежно від країни.

SPECYFIKACJE

Model	DGD800	DGD801
Zgodność zacisku	6 mm lub 6,35 mm (1/4")	
Maks. średnica końcówki szlifierskiej	36 mm	
Maks. długość trzpienia (trzonka)	46 mm	
Prędkość bez obciążenia (n_0) / prędkość znamionowa (n)	26 000 (min ⁻¹)	
Długość całkowita	402 mm	307 mm
Ciężar netto	2,0 kg	1,7 kg
Napięcie znamionowe	Prąd stały 18 V	

- W związku ze stałe prowadzonym przez naszą firmę programem badawczo-rozwojowym, niniejsze specyfikacje mogą ulec zmianom bez wcześniejszego powiadomienia.
- W innych krajach urządzenie może mieć odmienne parametry techniczne i może być wyposażone w inny akumulator.
- Waga urządzenia wraz z akumulatorem obliczona zgodnie z procedurą EPTA 01/2003

Przeznaczenie

Narzędzie przeznaczone jest do szlifowania materiałów żelaznych i do gratowania odlewów.

Poziom hałas i drgań

Typowy równoważny poziom dźwięku A określony w oparciu o EN60745:

Poziom ciśnienia akustycznego (L_{pA}): 72 dB (A)

Niepewność (K): 3 dB (A)

Poziom hałas podczas pracy może przekraczać 80 dB (A).

Należy stosować ochraniacze na uszy

Drgania

Całkowita wartość poziomu drgań (suma wektorów w 3 osiach) określona zgodnie z normą EN60745:

Model DGD800

Tryb pracy: szlifowanie powierzchni

Emisja drgań ($a_{h,SG}$): 6,5 m/s²

Niepewność (K): 1,5 m/s²

Model DGD801

Tryb pracy: szlifowanie powierzchni

Emisja drgań ($a_{h,SG}$): 2,5 m/s² lub mniej

Niepewność (K): 1,5 m/s²

WSKAZÓWKA: Deklarowana wartość wytwarzanych drgań została zmierzona zgodnie ze standardową metodą testową i można ją wykorzystać do porównywania narzędzi.

WSKAZÓWKA: Deklarowaną wartość wytwarzanych drgań można także wykorzystać we wstępnej ocenie narażenia.

⚠️ OSTRZEŻENIE: Drgania wytwarzane podczas rzeczywistego użytkowania elektronarzędzia mogą się różnić od wartości deklarowanej, w zależności od sposobu jego użytkowania.

⚠️ OSTRZEŻENIE: W oparciu o szacowane narażenie w rzeczywistych warunkach użytkowania należy określić środki bezpieczeństwa w celu ochrony operatora (uwzględniając wszystkie elementy cyklu działania, tj. czas, kiedy narzędzie jest wyłączone i kiedy pracuje na biegu jałowym, a także czas, kiedy jest włączone).

Dotyczy tylko krajów europejskich

Deklaracja zgodności UE

Firma Makita oświadcza, że poniższe urządzenie/-a:

Oznaczenie maszyny:

Akumulatorowa szlifierka prosta

Nr modelu / Typ: DGD800, DGD801

Jest zgodne z wymogami określonymi w następujących dyrektywach europejskich:

2006/42/EC

Jest/są produkowane zgodnie z następującymi normami lub dokumentami normalizacyjnymi:

EN60745

Dokumentacja techniczna zgodna w wymaganiach dyrektywy 2006/42/WE jest dostępna w:

Makita, Jan-Baptist Vinkstraat 2, 3070, Belgia

10.11.2015



Yasushi Fukaya

Dyrektor

Makita, Jan-Baptist Vinkstraat 2, 3070, Belgia

Ogólne zasady bezpieczeństwa obsługi elektronarzędzi

⚠️ OSTRZEŻENIE Przeczytaj wszystkie ostrzeżenia i instrukcje. Nie przestrzeganie ich może prowadzić do porażen prądem, pożarów i/lub poważnych obrażeń ciała.

Wszystkie ostrzeżenia i instrukcje należy zachować do późniejszego wykorzystania.

OSTRZEŻENIA DOTYCZĄCE BEZPIECZNEJ EKSPLOATACJI AKUMULATOROWEJ SZLIFIERKI PROSTEJ

Zasady bezpieczeństwa podczas operacji szlifowania:

- Opisywane elektronarzędzie jest przeznaczone do szlifowania. Należy zapoznać się z wszystkimi zasadami bezpieczeństwa, instrukcjami, ilustracjami i danymi technicznymi dołączonymi do opisywanego narzędzia.** Niezastosowanie się do podanych poniżej instrukcji może prowadzić do porażenia prądem elektrycznym, pożaru i/lub poważnych obrażeń ciała.
 - Nie jest wskazane szlifowanie drewna, oczyszczanie powierzchni szorstką drucianą, polerowanie lub cięcie z użyciem tego elektronarzędzia.** Operacje, do których nie jest ono przeznaczone, mogą stwarzać zagrożenie i spowodować obrażenia.
 - Używać jedynie osprzętu, który został specjalnie zaprojektowany i jest zalecany przez producenta narzędzia.** Fakt, że osprzęt można zamocować do posiadanego elektronarzędzia, wcale nie gwarantuje bezpiecznej obsługi.
 - Prędkość znamionowa osprzętu do szlifowania powinna być przynajmniej równa maksymalnej prędkości podanej na elektronarzędziu.** Osprzęt do szlifowania pracujący przy większej prędkości niż jego prędkość znamionowa może pęknąć i rozpaść się na kawałki.
 - Zewnętrzna średnica i grubość osprzętu musi mieścić się w zakresie dopuszczalnym dla tego elektronarzędzia.** Nie można zapewnić prawidłowej kontroli osprzętu o niewłaściwym rozmiarze.
 - Średnica otworu osprzętu powinna być właściwie dopasowana do tulei zaciskowej elektronarzędzia.** Osprzęt, który nie jest dopasowany do sprzętu mocującego w elektronarzędziu będzie niewyważony podczas pracy, powodując nadmierne drgania i ryzyko utraty kontroli nad narzędziem.
 - Akcesoria montowane na trzpieniu muszą zostać wsunięte w tuleję zaciskową lub uchwyt do oporu.** Jeśli trzpień jest nieprawidłowo zamocowany i/lub występ tarczy jest zbyt duży, zamontowane akcesorium może się poluzować i może zostać wyrzucone w powietrze z dużą prędkością.
 - Nie wolno używać uszkodzonych akcesoriów.** Przed każdorazowym użyciem należy skontrolować osprzęt (np. tarcze ścierne) pod kątem ewentualnych ubytków i pęknięć. W przypadku upuszczenia elektronarzędzia lub osprzętu należy sprawdzić, czy nie doszło do uszkodzenia, i ewentualnie zamontować nieszkodzony osprzęt. Po sprawdzeniu bądź zamontowaniu osprzętu należy stanąć w taki sposób i tak ustawić narzędzie, aby nikt nie znajdował się w płaszczyźnie obrotu osprzętu, po czym na jedną minutę uruchomić elektronarzędzie z maksymalną prędkością bez obciążenia. Uszkodzone akcesoria zwykle rozpadną się podczas takiej próby.
- Zakładać sprzęt ochrony osobistej. W zależności od wykonywanej operacji używać osłony twarzy, gogli lub okularów ochronnych. W miarę potrzeb zakładać maskę przeciwpyłową, ochraniacze na uszy, rękawice i fartuch, który zatrzyma drobiny materiału ściernego i obrabianego przedmiotu.** Ochrona oczu powinna zatrzymywać unoszące się w powietrzu drobiny materiału, które powstają podczas różnych operacji. Maskę przeciwpyłową lub oddechową powinna filtrować cząsteczki wytwarzane podczas pracy. Przebywanie przez dłuższy czas w hałasie o dużym natężeniu może spowodować utratę słuchu.
 - Osoby postronne powinny znajdować się w bezpiecznej odległości od miejsca pracy. Każdy, kto wchodzi do strefy roboczej, powinien mieć na sobie sprzęt ochrony osobistej.** Fragmenty materiału z obrabianego przedmiotu lub pękniętego osprzętu mogą polecieć na dużą odległość i spowodować obrażenia poza bezpośrednim obszarem roboczym.
 - Trzymać elektronarzędzie za izolowane powierzchnie rękojeści wyłącznie podczas wykonywania prac, przy których narzędzie tnące może dotknąć niewidocznej instalacji elektrycznej.** Zetknięcie osprzętu tnącego z przewodem elektrycznym znajdującym się pod napięciem może spowodować, że odsłonięte elementy metalowe elektronarzędzia również znajdą się pod napięciem, grożąc porażeniem operatora prądem elektrycznym.
 - Podczas rozruchu należy zawsze mocno trzymać narzędzie ręką/oburącz.** Moment reakcji silnika podczas przyspieszania do pełnej prędkości może wytworzyć siłę skręcającą działającą na narzędzie.
 - Stosować zaciski w celu zamocowania elementu obrabianego, o ile jest to stosowane w praktyce. Nigdy nie trzymać niewielkiego elementu obrabianego w ręce, trzymając w drugiej ręce uruchomione narzędzie.** Zamocowanie niewielkiego elementu obrabianego w zaciskach umożliwi użycie jednej lub obu rąk do kontrolowania narzędzia. Okrągłe materiały, takie jak kołki ustalające, przewody i rury mają tendencję do obracania się podczas wykonywania cięcia, co może spowodować zakleszczenie się końcówki lub jej odskoczenie w kierunku operatora.
 - Nie wolno odkładać elektronarzędzia dopóki zainstalowany osprzęt nie zatrzyma się całkowicie.** Wirujący osprzęt może zahaczyć o powierzchnię i elektronarzędzie zacznie się zachowywać w sposób niekontrolowany.
 - Po zmianie końcówki należy upewnić się, że nakrętka zaciskowa, uchwyt lub jakiegokolwiek inne urządzenie regulacyjne zostało prawidłowo zamocowane.** Poluzowane urządzenia regulacyjne mogą nieoczekiwanie się przesuwać, powodując utratę kontroli, a poluzowane części obrotowe mogą zostać nagle wyrzucone w powietrze.
 - Uruchomionego elektronarzędzia nie wolno przenosić z miejsca na miejsce.** Wirujący osprzęt może przypadkowo pochwycić ubranie i spowodować obrażenia ciała.
 - Otwory wentylacyjne elektronarzędzia należy regularnie czyścić.** Wentylator silnika wciąga do wnętrza obudowy pył. Zbyt duże nagromadzenie metalowych drobin stwarza zagrożenie elektryczne.

18. **Nie wolno używać elektronarzędzia w pobliżu materiałów łatwopalnych.** Mogą one zapalić się od iskier.
 19. **Nie wolno używać osprzętu wymagającego cieczy chłodzących.** Używanie wody lub innych cieczy chłodzących grozi porażeniem lub udarem elektrycznym.
- Odrzut i związane z nim ostrzeżenia**
- Odrzut to gwałtowna reakcja zakleszczonego lub pochwyczonego osprzętu obrotowego. Zakleszczenie lub pochwycenie powoduje nagłe zatrzymanie się obracającego się osprzętu, co z kolei prowadzi do niekontrolowanego odrzutu elektronarzędzia w kierunku przeciwnym do kierunku obrotu osprzętu. Przykładowo, jeżeli tarcza ścierna zostanie pochwyciona lub zakleszczy się w elemencie obrabianym, krawędź tarczy, trąc o powierzchnię materiału, może wypchnąć tarczę w górę lub spowodować jej odrzut. Tarcza może odskoczyć w stronę operatora lub w kierunku przeciwnym, w zależności od kierunku obrotów tarczy w punkcie zakleszczenia. W takich warunkach może również dojść do pęknięcia tarczy ściernej. Odrzut jest wynikiem nieprawidłowej eksploatacji elektronarzędzia i/lub niewłaściwej obsługi lub warunków pracy. Można go uniknąć, podejmując podane poniżej, odpowiednie środki ostrożności.
- a) **Zapewnić prawidłowe trzymanie elektronarzędzia oraz prawidłowe ustawienie ciała i ramienia w celu umożliwienia stawienia oporu siłom odrzutu.** Siły odrzutu mogą być kontrolowane przez operatora w przypadku stosowania odpowiednich środków ostrożności.
 - b) **Podczas obróbki narożników, ostrych krawędzi itp. należy zachować szczególną ostrożność. Nie dopuszczać do odskakiwania i pochwycenia osprzętu.** Narożniki, ostre krawędzie lub odskakiwanie sprzyjają pochwyceniu obracającego się osprzętu i mogą spowodować utratę kontroli lub odrzut.
 - c) **Nie montować zębatych tarcz ściernych.** Tarcze te często powodują odrzuty i utratę kontroli nad narzędziem.
 - d) **Zawsze przykładaj końcówkę do materiału w tym samym kierunku, co wyjście krawędzi tnącej z materiału (ten sam kierunek, w którym wyrzucane są wióry).** Przykładanie narzędzia w nieprawidłowym kierunku powoduje wyrzucenie w górę krawędzi tnącej końcówki i pociągnięcie narzędzia w kierunku jej przykładania.

Zasady bezpieczeństwa podczas operacji szlifowania:

- a) **Używać wyłącznie typów tarcz ściernych zalecanych do posiadanego elektronarzędzia i tylko zgodnie z przeznaczeniem.**

Dodatkowe ostrzeżenia dotyczące bezpieczeństwa:

20. **Narzędzie przeznaczone jest do stosowania z końcówkami szlifierskimi (kamiennymi szlifierskimi) na stałe zamontowanymi do powierzchni niegwintowanego trzpienia (trzonków).**
21. **Przed włączeniem urządzenia upewnić się, czy tarcza nie dotyka obrabianego elementu.**
22. **Przed przystąpieniem do obróbki danego elementu pozwolić, aby narzędzie obracało się przez chwilę bez obciążenia. Zwracaj uwagę na ewentualne drgania lub bicie osiowe, które mogą wskazywać na nieprawidłowe zamocowanie lub niedokładne wyważenie tarczy.**
23. **Podczas szlifowania używać określonej powierzchni tarczy.**
24. **Uważać na wylatujące iskry. Narzędzie trzymać w taki sposób, aby iskry nie były skierowane w stronę operatora, innych osób stojących w pobliżu lub łatwopalnych materiałów.**
25. **Nie pozostawiać załączonego elektronarzędzia. Można uruchomić elektronarzędzie tylko wtedy, gdy jest trzymane w rękach.**
26. **Zaraz po zakończeniu pracy nie wolno dotykać obrabianego elementu. Może on bowiem być bardzo gorący, co grozi poparzeniem skóry.**
27. **Przestrzegać instrukcji producenta w zakresie montażu i eksploatacji tarcz. Tarcze przechowywać i obchodzić się z nimi z dbałością.**
28. **Sprawdzić, czy obrabiany element jest dobrze podparty.**
29. **Jeżeli w miejscu pracy panuje wyjątkowo wysoka temperatura i wilgotność, albo występuje silnie zanieczyszczone przewodzącym pyłem, należy zastosować bezpiecznik zwarciowy (30 mA), aby zapewnić operatorowi bezpieczeństwo.**
30. **Nie wolno używać opisywanego narzędzia do obróbki materiałów zawierających azbest.**
31. **Podczas pracy należy zadbać o dobre oparcie dla nóg. W przypadku pracy na wysokościach należy upewnić się, że poniżej nie ma nikogo.**

ZACHOWAĆ INSTRUKCJE.

⚠️ OSTRZEŻENIE: NIE WOLNO pozwolić, aby wygoda lub rutyna (nabyta w wyniku wielokrotnego używania narzędzia) zastąpiły ściśle przestrzeganie zasad bezpieczeństwa obsługi. **NIEWŁAŚCIWE UŻYTKOWANIE** narzędzia lub niestosowanie się do zasad bezpieczeństwa podanych w niniejszej instrukcji obsługi może prowadzić do poważnych obrażeń ciała.

WAŻNE ZASADY BEZPIECZEŃSTWA

DOTYCZĄCE AKUMULATORA

1. **Przed użyciem akumulatora zapoznać się z wszystkimi zaleceniami i znakami ostrzegawczymi na (1) ładowarce, (2) akumulatorze i (3) wyrobie, w którym będzie używany akumulator.**
2. **Akumulatora nie wolno rozbierać.**
3. **Jeżeli czas pracy uległ znacznemu skróceniu, należy natychmiast przerwać pracę. Może bowiem dojść do przegrzania, ewentualnych poparzeń, a nawet eksplozji.**
4. **W przypadku przedostania się elektrolitu do oczu, przemyć je wodą i niezwłocznie uzyskać pomoc lekarską. Może on bowiem spowodować utratę wzroku.**
5. **Nie doprowadzać do zwarcia akumulatora:**
 - (1) **Nie dotykać styków przedmiotami wykonanymi z materiałów przewodzących.**

(2) Unikać przechowywania akumulatora w pojemniku z metalowymi przedmiotami, typu gwoździe, monety itp.

(3) Chronić akumulator przed wodą i deszczem.

Zwarcie prowadzi do przepływu prądu elektrycznego o dużym natężeniu i przegrzania akumulatora, co w konsekwencji może grozić poparzeniami a nawet awarią urządzenia.

6. Narzędzia i akumulatora nie wolno przechowywać w miejscach, w których temperatura osiąga bądź przekracza 50°C (122°F).
7. Akumulatorów nie wolno palić, również tych poważnie uszkodzonych lub całkowicie zużytych. W ogniu mogą one bowiem eksplodować.
8. Chronić akumulator przed upadkiem i uderzeniami.
9. Nie wolno używać uszkodzonego akumulatora.
10. Dołączone akumulatory litowo-jonowe muszą spełniać wymagania przepisów dotyczących towarów niebezpiecznych.

W przypadku transportu towarowego obsługiwanego np. przez strony trzecie lub firmy spedycyjne, wymagane jest przestrzeganie specjalnych obostrzeń dotyczących pakowania i etykietowania. W przypadku przygotowywania towaru do wysyłki konieczne jest skonsultowanie się ze specjalistą ds. materiałów niebezpiecznych. Należy również przestrzegać możliwych obowiązujących szczegółowych przepisów krajowych.

Zabezpieczyć taśmą lub zamaskować otwarte styki, a następnie zapakować akumulator w taki sposób, aby nie przemieszczał się wewnątrz opakowania.

11. Postępować zgodnie z przepisami lokalnymi dotyczącymi utylizacji akumulatorów.

ZACHOWAĆ INSTRUKCJE.

⚠UWAGA: Należy stosować wyłącznie oryginalne akumulatory firmy Makita.

Stosowanie nieoryginalnych akumulatorów innych niż firmy Makita lub akumulatorów, które zostały zmodyfikowane, może przyczynić się do wybuchu akumulatora, powodując pożar, obrażenia ciała i uszkodzenia. Spowoduje to również unieważnienie gwarancji Makita na narzędzie i ładowarkę Makita.

Wskazówki dotyczące zachowania maksymalnej trwałości akumulatora

1. Akumulator należy naładować zanim zostanie do końca rozładowany. Gdy zauważysz spadek mocy narzędzia, przetrwaj pracę i naładuj akumulator.
2. Nie wolno ładować powtórnie w pełni naładowanego akumulatora. Przeladowanie akumulatora skraca jego czas eksploatacji.
3. Akumulator ładować w temperaturze mieszczącej się w przedziale 10°C - 40°C (50°F - 104°F). Gdy akumulator jest gorący, przed przystąpieniem do jego ładowania odczekać, aż ostygnie.
4. Naładować akumulator w przypadku nieużywania go przez dłuższy okres (ponad 6 miesięcy).

OPIS DZIAŁANIA

⚠PRZESTROGA:

- Przed przystąpieniem do regulacji lub przeglądu narzędzia upewnić się, czy jest ono wyłączone i czy został wyjęty akumulator.

Wkładanie i wyjmowanie akumulatora

- Rys.1: 1. Przycisk 2. Czerwony wskaźnik 3. Akumulator

⚠PRZESTROGA:

- Przed montażem lub demontażem akumulatora należy wyłączyć narzędzie.
- **Podczas wkładania lub wyjmowania akumulatora należy mocno trzymać narzędzie i akumulator.** W przeciwnym razie mogą one wysliznąć się z rąk, powodując uszkodzenie narzędzia lub akumulatora i obrażenia ciała.

Aby wyjąć akumulator, należy przesunąć przycisk znajdujący się w przedniej jego części i wysunąć akumulator.

Aby zamontować akumulator, wystarczy wyrównać występ na akumulatorze z rowkiem w obudowie i wsunąć go na swoje miejsce. Akumulator należy wsuwać do oporu, aż się zablokuje, co jest sygnalizowane delikatnym kliknięciem. Jeśli jest widoczny czerwony wskaźnik w górnej części przycisku, akumulator nie został całkowicie zablokowany.

⚠PRZESTROGA:

- Należy go zamontować całkowicie, tak aby czerwony wskaźnik nie był widoczny. W przeciwnym razie może przypadkowo wypaść z urządzenia, raniąc operatora lub osoby postronne.
- Nie montować akumulatora na siłę. Jeśli akumulator nie daje się swobodnie wsunąć, prawdopodobnie został włożony nieprawidłowo.

System ochrony akumulatora

Narzędzie jest wyposażone w system ochrony akumulatora. System ten automatycznie odcina dopływ prądu do silnika w celu wydłużenia żywotności akumulatora. Narzędzie zostanie automatycznie zatrzymane podczas pracy w następujących sytuacjach związanych z narzędziem/akumulatorem:

- Przeciążenie:
Narzędzie pracuje w sposób przyczyniający się do niezwykle wysokiego wzrostu napięcia. W takiej sytuacji należy wyłączyć narzędzie i przerwać wykonywanie czynności powodującej przeciążenie narzędzia. Następnie ponownie uruchomić narzędzie. Jeżeli narzędzie nie włączy się, akumulator uległ przegrzaniu. W takiej sytuacji należy odczekać, aż akumulator ostygnie przed ponownym uruchomieniem narzędzia.

- Niskie napięcie akumulatora:
Za niski poziom naładowania akumulatora, aby narzędzie mogło pracować. W takiej sytuacji należy wyjąć akumulator i go naładować.

WSKAZÓWKA: Zabezpieczenie przed przegrzaniem działa wyłącznie z akumulatorem z symbolem gwiazdy.

► **Rys.2:** 1. Znak gwiazdki

Wskazuje stan naładowania akumulatora

(Dotyczy wyłącznie akumulatorów z symbolem „B” na końcu numeru modelu).

► **Rys.3:** 1. Kontrolki 2. Przycisk CHECK (SPRAWDŹ)

Nacisnąć przycisk kontrolny znajdujący się na akumulatorze w celu wskazania poziomu naładowania akumulatora. Kontrolki zaświecą się na kilka sekund.

Kontrolki			Poziom naładowania
Świeci się	WYŁ (OFF)	Pulsuje	
■	■	■	75 % do 100 %
■	■	■	50 % do 75 %
■	□	□	25 % do 50 %
■	□	□	0 % do 25 %
▣	□	□	Naładować akumulator.
■	□	□	Prawdopodobnie akumulator jest uszkodzony.
□	□	■	

WSKAZÓWKA:

- Zależnie od warunków użytkowania i temperatury otoczenia, wskazywany poziom może nieznacznie się różnić od rzeczywistego poziomu naładowania akumulatora.

Włączanie

► **Rys.4:** 1. Przelącnik suwakowy

▲ PRZESTROGA:

- Przed włożeniem akumulatora do narzędzia koniecznie sprawdzić, czy przelącnik suwakowy działa prawidłowo i po naciśnięciu jego tylnej części powraca do pozycji "OFF" (WYŁĄCZENIA).
- W celu ułatwienia obsługi i dla wygody operatora podczas długotrwałej pracy z użyciem narzędzia, wyłącznik można zablokować w pozycji „ON” (WŁĄCZONY). Podczas pracy z blokadą wyłącznika w pozycji „ON” (WŁĄCZONY) należy zachować ostrożność i pewnie trzymać narzędzie.

W celu uruchomienia narzędzia wystarczy przesunąć przelącnik suwakowy w kierunku położenia "I (ON)" (włączone). Pracę ciągną można uzyskać po naciśnięciu i zablokowaniu przedniej części przelącnika suwakowego.

Aby wyłączyć narzędzie, wystarczy nacisnąć tylną część przelącnika suwakowego, a następnie przesunąć go do położenia "O (OFF)".

Kontrolka wielofunkcyjna

► **Rys.5:** 1. Kontrolka

Kontrolki znajdują się w dwóch miejscach. Po włożeniu akumulatora do narzędzia, gdy przelącnik suwakowy znajduje się w pozycji „O (WYŁĄCZONY)", kontrolka szybko pulsuje przez okres mniej więcej jednej sekundy. Jeżeli tak się nie dzieje, uszkodzony jest akumulator lub kontrolka.

— Zabezpieczenie przed przeciążeniem

- Kontrolka zapala się, gdy narzędzie jest przeciążone. Po zmniejszeniu obciążenia narzędzia kontrolka gaśnie.
- Jeżeli narzędzie nadal będzie przeciążane i kontrolka pozostanie zapalona przez około dwie sekundy, wówczas narzędzie zatrzyma się. W ten sposób silnik i powiązane z nim podzespoły chronione są przed uszkodzeniem.
- Aby ponownie uruchomić narzędzie w takiej sytuacji, należy przesunąć przelącnik suwakowy do pozycji „O (WYŁĄCZONY)" i z powrotem do pozycji „I (WŁĄCZONY)".

— Sygnał wymiany akumulatora

- Gdy pojemność akumulatora spadnie, wówczas kontrolka zapala się szybciej niż w przypadku akumulatora o dostatecznej pojemności.

— Funkcja zabezpieczenia przed przypadkowym uruchomieniem

- Jeżeli akumulator zostanie włożony do narzędzia przy przelącniku suwakowym ustawionym w pozycji „I (WŁĄCZONY)", nie można go będzie uruchomić. W takim przypadku kontrolka pulsuje sygnalizując zadziałanie funkcji zabezpieczenia przed przypadkowym uruchomieniem.
- Aby uruchomić narzędzie, należy przesunąć przelącnik suwakowy do pozycji „O (WYŁĄCZONY)", a następnie z powrotem do pozycji „I (WŁĄCZONY)".

MONTAŻ

▲ PRZESTROGA:

- Przed przystąpieniem do jakichkolwiek czynności związanych z obsługą narzędzia należy koniecznie upewnić się, czy jest ono wyłączone i czy akumulator został wyjęty.

Montaż i demontaż końcówki szlifierskiej

- **Rys.6:** 1. Klucz 13 2. Końcówka szlifierska
3. Nakrętka zaciskowa 4. Klucz 13

Poluzować nakrętkę zaciskową i wsunąć w nią końcówkę szlifierską. Małym kluczem przytrzymać wrzeciono, a dużym mocno dokręcić nakrętkę zaciskową. Nie wolno mocować końcówki szlifierskiej dalej niż 10 mm od nakrętki zaciskowej. Przekroczenie tej odległości może spowodować drgania i pęknięcie wału.

- **Rys.7**

Aby zdemontować końcówkę szlifierską, wystarczy w odwrotnej kolejności wykonać procedurę montażu.

PRZESTROGA:

- Do wybranego rodzaju końcówki szlifierskiej używać stożka zaciskowego o właściwym rozmiarze.

DZIAŁANIE

- **Rys.8**

Włączyć narzędzie w położeniu, w którym końcówka szlifierska nie styka się z obrabianym elementem i odczekać, aż osiągnie swoją maksymalną prędkość. Następnie delikatnie przyłożyć końcówkę szlifierską do obrabianego elementu. Aby uzyskać właściwe wykończenie, należy przesunąć narzędzie powoli w lewo.

PRZESTROGA:

- Narzędzie należy dociskać lekko. Nadmierny docisk pogorszy jedynie jakość wykończenia powierzchni i spowoduje przeciążenie silnika.

KONSERWACJA

PRZESTROGA:

- Przed przystąpieniem do przeglądu narzędzia lub jego konserwacji upewnić się, czy jest ono wyłączone i czy akumulator został wyjęty.
- Nie wolno używać benzyny, benzenu, rozpuszczalnika, alkoholu itp. Substancje takie mogą spowodować odbarwienia, odkształcenia lub pęknięcia.

Wymiana szczotek węglowych

- **Rys.9:** 1. Znak ograniczenia

Systematycznie wyjmować i sprawdzać szczotki węglowe. Wymieniać je, gdy ich zużycie sięga znaku granicznego. Szczotki powinny być czyste i łatwo wchodzić w uchwyt. Należy wymieniać obydwie szczotki jednocześnie. Stosować wyłącznie identyczne szczotki węglowe.

- **Rys.10:** 1. Osłona nasadki oprawy 2. Śrubokręt

Włożyć końcówkę śrubokręta płaskiego w nacięcie w narzędziu i ściągnąć osłonę nasadki oprawy.

- **Rys.11:** 1. Pokrywa uchwytu szczotki 2. Śrubokręt

Do wyjęcia pokrywek uchwytów szczotek używać śrubokrętu. Wyjąć zużyte szczotki węglowe, włożyć nowe i zabezpieczyć pokrywkami uchwytów szczotek.

Ponownie osadzić osłonę nasadki oprawy w narzędziu. Dla zachowania BEZPIECZEŃSTWA i NIEZAWODNOŚCI wyrobu, naprawy oraz inne prace konserwacyjne i regulacyjne powinny być wykonywane przez Autoryzowane Centra Serwisowe Makita, wyłącznie przy użyciu części zamiennych Makita.

AKCESORIA OPCJONALNE

PRZESTROGA:

- Zaleca się stosowanie wymienionych akcesoriów i dodatków razem z elektronarzędziem Makita opisanym w niniejszej instrukcji. Stosowanie jakichkolwiek innych akcesoriów i dodatków może stanowić ryzyko uszkodzenia ciała. Stosować akcesoria i dodatki w celach wyłącznie zgodnych z ich przeznaczeniem.

W razie potrzeby, wszelkiej pomocy i szczegółowych informacji na temat niniejszych akcesoriów udzieli Państwu lokalne Centra Serwisowe Makita.

Rękojeść boczna (wyposażenie dodatkowe)

- **Rys.12**

- **Rys.13**

- **Rys.14**

- **Rys.15**

W przypadku korzystania z uchwytu bocznego należy ściągnąć gumową osłonę, wsunąć do oporu uchwyt w korpus narzędzia i ustawić pod wybranym kątem. Następnie mocno dokręcić uchwyt, obracając go zgodnie z ruchem wskazówek zegara.

PRZESTROGA:

- W przypadku używania narzędzia bez uchwytu należy pamiętać o założeniu gumowej osłony.
- Zakładając gumową osłonę, zawsze należy tak ją wcisnąć na narzędzie, aby jej górne okrągłe wgłębienie znalazło się w pobliżu przełącznika.

- Końcówki szlifierskie
- Stożek zaciskowy (3 mm, 6 mm, 8 mm, 1/4", 1/8")
- Nakrętka zaciskowa
- Klucz 13
- Zestaw uchwytu bocznego
- Oryginalny akumulator i ładowarka firmy Makita

WSKAZÓWKA:

- Niektóre pozycje znajdujące się na liście mogą być dołączone do pakietu narzędziowego jako akcesoria standardowe. Mogą to być różne pozycje, w zależności od kraju.

SPECIFICAȚII

Model	DGD800	DGD801
Capacitate de strângere	6 mm sau 6,35 mm (1/4")	
Diametrul maxim al pietrei de șlefuit	36 mm	
Lungime maximă a dornului (tije)	46 mm	
Turație în gol (n_0) / Turație nominală (n)	26.000 (min ⁻¹)	
Lungime totală	402 mm	307 mm
Greutate netă	2,0 kg	1,7 kg
Tensiune nominală	18 V cc.	

- Datorită programului nostru continuu de cercetare și dezvoltare, caracteristicile pot fi modificate fără o notificare prealabilă.
- Specificațiile și ansamblul baterie pot diferi de la țară la țară.
- Greutatea, cu ansamblul baterie, conform procedurii EPTA 01/2003

Destinația de utilizare

Mașina este destinată polizării materialelor feroase sau debavurării pieselor turnate.

Emisie de zgomot

Nivelul de zgomot normal ponderat A determinat în conformitate cu EN60745:

Nivel de presiune acustică (L_{pA}): 72 dB (A)

Marjă de eroare (K): 3 dB (A)

Nivelul de zgomot în timpul funcționării poate depăși 80 dB (A).

Purtați mijloace de protecție a auzului

Vibrații

Valoarea totală a vibrațiilor (suma vectorilor tri-axiali) determinată conform EN60745:

Model DGD800

Mod de funcționare: polizare suprafață

Emisie de vibrații ($a_{h,SG}$): 6,5 m/s²

Marjă de eroare (K): 1,5 m/s²

Model DGD801

Mod de funcționare: polizare suprafață

Emisie de vibrații ($a_{h,SG}$): 2,5 m/s² sau mai puțin

Marjă de eroare (K): 1,5 m/s²

NOTĂ: Nivelul de vibrații declarat a fost măsurat în conformitate cu metoda de test standard și poate fi utilizat pentru compararea unei unelte cu alta.

NOTĂ: Nivelul de vibrații declarat poate fi, de asemenea, utilizat într-o evaluare preliminară a expunerii.

AVERTIZARE: Nivelul de vibrații în timpul utilizării reale a unelei electrice poate diferi de valoarea nivelului declarat, în funcție de modul în care unealta este utilizată.

AVERTIZARE: Asigurați-vă că identificați măsurile de siguranță pentru a proteja operatorul, acestea fiind bazate pe o estimare a expunerii în condiții reale de utilizare (luând în considerare toate părțile ciclului de operare, precum timpul în care unealta a fost oprită, sau a funcționat în gol, pe lângă timpul de declanșare).

Numai pentru țările europene

Declarație de conformitate CE

Makita declară că următoarea(e) mașină(i):

Denumirea mașinii:

Polizor drept fără cablu

Model Nr./ Tip: DGD800, DGD801

Este în conformitate cu următoarele directive europene:

2006/42/EC

Sunt fabricate în conformitate cu următorul standard sau documente standardizate:

EN60745

Fișierul tehnic în conformitate cu 2006/42/CE este disponibil de la:

Makita, Jan-Baptist Vinkstraat 2, 3070, Belgia

10.11.2015



Yasushi Fukaya

Director

Makita, Jan-Baptist Vinkstraat 2, 3070, Belgia

Avertismente generale de siguranță pentru unelte electrice

AVERTIZARE Citiți toate avertizările de siguranță și toate instrucțiunile. Nerespectarea acestor avertizări și instrucțiuni poate avea ca rezultat electrocutarea, incendiul și/sau rănirea gravă.

Păstrați toate avertismentele și instrucțiunile pentru consultări ulterioare.

AVERTISMENTE PRIVIND SIGURANȚA PENTRU POLIZOR DREPT FĂRĂ CABLU

Avertismente generale privind siguranța operației de polizare:

- 1. Această mașină electrică este destinată să funcționeze ca un polizor. Citiți toate avertismentele privind siguranța, instrucțiunile, ilustrațiile și specificațiile furnizate cu această mașină electrică.** Nerespectarea integrală a instrucțiunilor de mai jos poate cauza electrocutări, incendii și/sau vătămări corporale grave.
- 2. Nu este recomandată executarea operațiilor cum ar fi șlefuirea, curățarea cu peria de sârmă, lustruirea și rețezarea cu această mașină electrică.** Operațiile pentru care această mașină electrică nu a fost concepută pot fi periculoase și pot provoca vătămări corporale.
- 3. Nu folosiți accesorii care nu sunt special concepuți și recomandați de producătorul mașinii.** Simplul fapt că accesoriul poate fi atașat la mașina dumneavoastră electrică nu asigură funcționarea în condiții de siguranță.
- 4. Turația nominală a accesoriilor de polizat trebuie să fie cel puțin egală cu turația maximă indicată pe scula electrică.** Accesoriile de polizat utilizate la o turație superioară celei nominale se pot sparge și împrăștia.
- 5. Diametrul exterior și grosimea accesoriului dumneavoastră trebuie să se înscrie în capacitatea nominală a mașinii dumneavoastră electrice.** Accesoriile incorect dimensionate nu pot fi controlate în mod adecvat.
- 6. Dimensiunea pentru ax a accesoriilor trebuie să se potrivească corespunzător pe conul elastic de strângere al mașinii electrice.** Accesoriile care nu se potrivesc cu prinderile de montaj ale mașinii electrice vor funcționa dezechilibrat, vor vibra excesiv și pot cauza pierderea controlului.
- 7. Accesoriile montate pe dorn simplu trebuie complet introduse în conul elastic de strângere sau mandrină.** Dacă dornul simplu este insuficient fixat și/sau proeminența discului este prea lungă, accesoriul montat se poate desprinde și poate fi aruncat cu viteză ridicată.
- 8. Nu folosiți un accesoriu deteriorat.** Înainte de fiecare utilizare, inspecțiți accesoriul, cum ar fi discurile abrazive, cu privire la așchii și fisuri. Dacă scăpați pe jos mașina sau accesoriul, inspecțiți-le cu privire la deteriorări sau instalați un accesoriu intact. După inspectarea și instalarea unui accesoriu, poziționați-vă împreună cu spectatori la depărtare de planul accesoriului rotativ și porniți mașina la viteză maximă de mers în gol timp de un minut. Accesoriile deteriorate se vor sparge în mod normal pe durata acestui test.
- 9. Purtați echipamentul personal de protecție.** În funcție de aplicație, folosiți o mască de protecție, ochelari de protecție sau viziere de protecție. Dacă este cazul, purtați o mască de protecție contra prafului, mijloace de protecție a auzului, mănuși și un șorț de lucru capabil să oprească fragmentele mici abrazive sau fragmentele piesei. Mijloacele de protecție a vederii trebuie să fie capabile să oprească resturile proiectate în aer generate la diverse operații. Masca de protecție contra prafului sau masca respiratoare trebuie să fie capabilă să filtreze particulele generate în timpul operației respective. Expunerea prelungită la zgomot foarte puternic poate provoca pierderea auzului.
- 10. Țineți spectatorii la o distanță sigură față de zona de lucru. Orice persoană care pătrunde în zona de lucru trebuie să poarte echipament personal de protecție.** Fragmentele piesei prelucrate sau ale unui accesoriu spart pot fi proiectate în jur cauzând vătămări corporale în zona imediat adiacentă zonei de lucru.
- 11. Țineți mașina electrică numai de suprafețele de prindere izolate atunci când executați o operație la care scula de tăiere poate intra în contact cu cabluri ascunse.** Accesoriul de tăiere care intră în contact cu un fir aflat sub tensiune poate pune sub tensiune componentele metalice neizolate ale mașinii electrice și poate produce un șoc electric asupra operatorului.
- 12. Țineți întotdeauna ferm mașina în mână în timpul pornirii.** Cuplul de reacție al motorului, pe măsură ce accelerează la turație maximă, poate cauza răsucirea mașinii.
- 13. Utilizați clema pentru a susține piesa de prelucrat oricând este practic acest lucru. Nu țineți niciodată o piesă de prelucrat mică într-o mână și mașina în cealaltă mână în timpul utilizării.** Fixarea unei piese de prelucrat mici vă permite să vă utilizați mâinile pentru a controla mașina. Materialul rotund, precum diblurile, țevile sau conductele, au tendința de a se rostogoli în timpul tăierii și ar putea cauza înțepenirea sau saltul capului înspire dumneavoastră.
- 14. Nu așezați niciodată mașina electrică înainte de oprirea completă a accesoriului.** Accesoriul aflat în rotație ar putea apuca suprafața și trage de mașina electrică fără a o putea controla.
- 15. După schimbarea capetelor sau efectuarea reglajelor, asigurați-vă că puiulă de strângere, mandrina sau orice alte dispozitive de ajustare sunt bine strânse.** Dispozitivele de ajustare slăbite se pot deplasa brusc, cauzând pierderea controlului, iar componentele rotative slăbite vor fi proiectate violent.
- 16. Nu lăsați mașina electrică în funcțiune în timp ce o transportați lângă corpul dumneavoastră.** Contactul accidental cu accesoriul aflat în rotație vă poate agăța îmbrăcămintea, trăgând accesoriul spre corpul dumneavoastră.
- 17. Curățați în mod regulat fantele de ventilație ale mașinii electrice.** Ventilatorul motorului va aspira praful în interiorul carcasei, iar acumulările excesive de pulberi metalice pot prezenta pericol de electrocutare.
- 18. Nu folosiți mașina electrică în apropierea materialelor inflamabile.** Scânteile pot aprinde aceste materiale.
- 19. Nu folosiți accesorii care necesită agenți de răcire lichizi.** Folosirea apei sau a lichidelor de răcire poate cauza electrocutări sau șocuri de tensiune.

Recul și avertismente asociate

Recul este o reacție bruscă la un accesoriu rotativ agățat sau prins. Înțepenia sau agățarea provoacă o oprire bruscă a accesoriului aflat în rotație, ceea ce forțează mașina scăpată de sub control în direcția opusă celei de rotire a accesoriului.

De exemplu, dacă un disc abraziv se înțepenește sau se agață în piesa de prelucrat, muchia discului care pătrunde în punctul de blocare poate săpa în suprafața materialului cauzând urcarea sau proiectarea înapoi a discului. Discul poate sări către utilizator sau în partea opusă acestuia, în funcție de direcția de mișcare a discului în punctul de blocare. De asemenea, discurile abrazive se pot rupe în aceste condiții.

Recul este rezultatul utilizării incorecte a mașinii electrice și/sau al procedurilor sau condițiilor de lucru necorespunzătoare, putând fi evitat prin adoptarea unor măsuri de precauție adecvate prezentate în continuare.

a) **Mențineți o priză fermă pe mașina electrică și poziționați-vă corpul și brațele astfel încât să contracarați forțele de recul.** Utilizatorul poate controla forțele de recul, dacă își ia măsuri de precauție adecvate.

b) **Procedați cu deosebită atenție atunci când prelucrați colțuri, muchii ascuțite etc. Evitați izbiturile și salturile accesoriului.** Colțurile, muchiile ascuțite sau salturile au tendința de a agăța accesoriul aflat în rotație și conduc la pierderea controlului sau apariția reculerilor.

c) **Nu atșați o lamă de ferăstrău dințată.** Astfel de lame pot crea reculuri frecvente și pierderea controlului.

d) **Introduceți întotdeauna capul în material în aceeași direcție în care muchia tăietoare iese din material (este aceeași direcție în care sunt aruncate așchiile).** Introducerea mașinii în direcția greșită cauzează ieșirea muchiei tăietoare a capului din piesa prelucrată și tragerea mașinii în această direcție.

Avertismente specifice privind siguranța polizării:

a) **Folosiți numai tipurile de disc recomandate pentru mașina dumneavoastră electrică și doar pentru aplicațiile recomandate.**

Avertizări suplimentare de siguranță:

20. **Mașina este destinată utilizării cu pietre de șlefuit abrazive din material compozit (pietre de polizor) montate permanent pe dornuri (tije) simple, nefiletate.**
21. **Asigurați-vă că discul nu intră în contact cu piesa de prelucrat înainte de a conecta comutatorul.**
22. **Înainte de utilizarea mașinii pe piesa proprie-zisă, lăsați-o să funcționeze în gol pentru un timp. Încercați să identificați orice vibrație sau oscilație care ar putea indica o instalare inadecvată sau un disc neechilibrat.**
23. **Folosiți fața specificată a discului pentru a executa polizarea.**
24. **Aveți grijă la scântei. Țineți mașina astfel încât scântele să nu se îndrepte către dumneavoastră și alte persoane, sau către materiale inflamabile.**
25. **Nu lăsați mașina în funcțiune. Folosiți mașina numai când o țineți cu mâinile.**

26. **Nu atingeți piesa prelucrată imediat după executarea lucrării; aceasta poate fi extrem de fierbinte și poate provoca arsuri ale pielii.**
27. **Respectați instrucțiunile producătorului cu privire la montarea și utilizarea corectă a discurilor. Manipulați și depozitați cu atenție discurile.**
28. **Verificați ca piesa de prelucrat să fie sprijinită corect.**
29. **Dacă locul de muncă este extrem de calduros și umed, sau foarte poluat cu pulbere conductoare, folosiți un întrerupător de scurt-circuitare (30 mA) pentru a asigura protecția utilizatorului.**
30. **Nu folosiți mașina pe materiale care conțin azbest.**
31. **Asigurați-vă întotdeauna că aveți o poziție stabilă a picioarelor. Asigurați-vă că nu se află nicio persoană dedesubt atunci când folosiți mașina la înălțime.**

PĂSTRAȚI ACESTE INSTRUCȚIUNI.

⚠️AVERTIZARE: NU permiteți comodității și familiarizării cu produsul (obținute prin utilizare repetată) să înlocuiască respectarea strictă a normelor de securitate pentru acest produs. FOLOSIREA INCORECTĂ sau nerespectarea normelor de securitate din acest manual de instrucțiuni poate provoca vătămări corporale grave.

INSTRUCȚIUNI IMPORTANTE PRIVIND SIGURANȚA

PRENTRU CARTUȘUL ACUMULATORULUI

1. **Înainte de a folosi cartușul acumulatorului, citiți toate instrucțiunile și atenționările de pe (1) încărcătorul acumulatorului, (2) acumulator și (3) produsul care folosește acumulatorul.**
2. **Nu dezmembrați cartușul acumulatorului.**
3. **Dacă timpul de funcționare s-a redus excesiv, întrerupeți imediat funcționarea. Aceasta poate prezenta risc de supraîncălzire, posibile arsuri și chiar explozie.**
4. **Dacă electrolitul pătrunde în ochi, clătiți bine ochii cu apă curată și consultați imediat un medic. Există risc de orbire.**
5. **Nu scurtcircuitați cartușul acumulatorului:**
 - (1) **Nu atingeți bornele cu niciun material conductor.**
 - (2) **Evitați depozitarea cartușului acumulatorului la un loc cu alte obiecte metalice cum ar fi cuie, monede etc.**
 - (3) **Nu expuneți cartușul acumulatorului la apă sau ploaie.****Un scurtcircuit al acumulatorului poate provoca un flux puternic de curent electric, supraîncălzire, posibile arsuri și chiar defectarea mașinii.**

6. Nu depozitați mașina și cartușul acumulatorului în spații în care temperatura poate atinge sau depăși 50°C (122°F).
7. Nu incinerati cartușul acumulatorului chiar dacă acesta este grav deteriorat sau complet uzat. Cartușul acumulatorului poate exploda în foc.
8. Aveți grijă să nu scăpați pe jos sau să loviți acumulatorul.
9. Nu folosiți un acumulator uzat.
10. Acumulatorii litiu-ion incluse fac obiectul cerințelor Legislației privind mărfurile periculoase.
Pentru transport comercial, de exemplu transport efectuat de către terțe părți sau societăți de transport, se vor respecta cerințele speciale de pe ambalaje și etichete.
Pentru pregătirea articolului care va fi livrat, este necesară consultarea unui expert în material periculoase. De asemenea, consultați eventualele reglementări naționale mult mai detaliate. Acoperiți cu bandă sau mascați contactele deschise și ambalați acumulatorul astfel încât acesta să nu se miște în ambalaj.
11. Respectați normele naționale privind eliminarea la deșeurii a acumulatorului.

PĂSTRAȚI ACESTE INSTRUCȚIUNI.

⚠ATENȚIE: Utilizați doar acumulatori originale Makita.

Utilizarea unor acumulatori care nu au fost produse de Makita sau a unor acumulatori modificate poate duce la explozia acumulatorului, rezultând incendii, accidentări și daune. De asemenea, acest lucru va anula garanția Makita pentru unealta și încărcătorul Makita.

Sfaturi pentru obținerea unei durate maxime de exploatare a acumulatorului

1. **Încărcați cartușul acumulatorului înainte de a se descărca complet.**
Întrepuți întotdeauna funcționarea mașinii și încărcați cartușul acumulatorului când observați o scădere a puterii mașinii.
2. **Nu reîncărcați niciodată un acumulator complet încărcat.**
Supraîncărcarea va scurta durata de exploatare a acumulatorului.
3. **Încărcați cartușul acumulatorului la temperatura camerei, între 10°C - 40°C (50°F - 104°F).**
Lăsați un acumulator fierbinte să se răcească înainte de a-l încărca.
4. **Încărcați cartușul acumulatorului dacă nu îl utilizați o perioadă îndelungată (peste șase luni).**

DESCRIERE FUNCȚIONALĂ

⚠ATENȚIE:

- Asigurați-vă întotdeauna că mașina este oprită și cartușul acumulatorului este scos înainte de a ajusta sau verifica funcționarea mașinii.

Instalarea sau scoaterea cartușului acumulatorului

► Fig. 1: 1. Buton 2. Indicator roșu 3. Cartușul acumulatorului

⚠ATENȚIE:

- Opriți întotdeauna unealta înainte de montarea sau demontarea cartușului de acumulator.
- **Țineți ferm mașina și cartușul acumulatorului la montarea sau demontarea cartușului.** În caz contrar, acestea vă pot aluneca din mâini, rezultând defectarea lor și posibile accidentări.

Pentru a scoate cartușul acumulatorului, glisați-l din unealtă în timp ce glisați butonul de pe partea frontală a cartușului.

Pentru a instala cartușul acumulatorului, aliniați limba de pe cartușul acumulatorului cu canelura din carcasă și introduceți-l în locaș. Introduceți-l complet, până când se înclichetează în locaș. Dacă puteți vedea indicatorul roșu din partea superioară a butonului, acesta nu este blocat complet.

⚠ATENȚIE:

- Instalați întotdeauna cartușul acumulatorului complet, până când indicatorul roșu nu mai este vizibil. În caz contrar, acesta poate cădea accidental din mașină provocând rănirea dumneavoastră sau a persoanelor din jur.
- Nu forțați cartușul de acumulator la montare. Dacă acesta nu glisează ușor, înseamnă că a fost introdus incorect.

Sistemul de protecție a acumulatorului

Mașina este prevăzută cu un sistem de protecție a acumulatorului. Sistemul întrerupe automat alimentarea motorului pentru a extinde durata de viață a acumulatorului.

Mașina se va opri automat în timpul funcționării când mașina și/sau acumulatorul se află într-una din situațiile următoare.

- Suprasarcină:
Mașina este operată într-o manieră care determină atragerea unui curent de o intensitate anormal de ridicată.
În această situație, opriți mașina, iar apoi opriți aplicația care a dus la suprasolicitarea mașinii. Apoi reporniți mașina.
Dacă mașina nu pornește, acumulatorul este supraîncălzit. În această situație, lăsați acumulatorul să se răcească înainte de a reporni mașina.

- Tensiune scăzută acumulator:
Capacitatea rămasă a bateriei este prea mică, iar mașina nu va funcționa. În această situație, scoateți și reîncărcați acumulatorul.

NOTĂ: Protecția împotriva supraîncălzirii funcționează doar cu un cartuș de acumulator prevăzut cu un marcaj în stea.











► **Fig.2:** 1. Marcaj în stea

Indicarea capacității rămase a acumulatorului

(Doar pentru cartușele de acumulator cu "B" la sfârșitul numărului modelului.)

► **Fig.3:** 1. Lămpi indicator 2. Buton CHECK (Verificare)

Apăsați butonul de verificare de pe cartușul acumulatorului pentru indicarea capacității rămase a acumulatorului. Lampa indicatoare se aprinde timp de câteva secunde.

Lămpi indicator			Capacitate rămasă
 Iluminat	 OPRIT	 Iluminare intermitentă	
			între 75 % și 100 %
			între 50 % și 75 %
			între 25 % și 50 %
			între 0 % și 25 %
			Încărcați acumulatorul.
			Este posibil ca acumulatorul să se fi defectat.
			

NOTĂ:

- În funcție de condițiile de utilizare și temperatura ambientală, indicația poate fi ușor diferită de capacitatea reală.

Acționarea întrerupătorului

► **Fig.4:** 1. Comutator glisant

⚠ATENȚIE:

- Înainte de a introduce cartușul acumulatorului în mașină, verificați întotdeauna dacă comutatorul glisant funcționează corect și revine în poziția "OFF" (oprit) atunci când se apasă partea din spate a comutatorului glisant.
- Comutatorul poate fi blocat în poziția "ON" (pornit) pentru confortul utilizatorului în timpul utilizării prelungite. Fiți atenți când blocați mașina în poziția "ON" (pornit) și mențineți o priză fermă la mașină.

Pentru a porni mașina, deplasați comutatorul glisant către poziția "I (ON)" (pornit). Pentru funcționare continuă, apăsați partea din față a comutatorului glisant pentru a-l bloca.

Pentru a opri mașina, apăsați partea din spate a comutatorului glisant, apoi deplasați-l către poziția "O (OFF)" (oprit).

Lampă indicatoare cu funcție multiplă

► **Fig.5:** 1. Lampă indicatoare

Lămpile indicatoare sunt amplasate în două poziții. Atunci când cartușul acumulatorului este introdus în mașină cu comutatorul glisant în poziția "O (OFF)" (oprit), lampa indicatoare clipește rapid timp de circa o secundă. Dacă nu clipește în acest mod, cartușul acumulatorului sau lampa indicatoare sunt defecte.

- **Protecție la suprasarcină**
 - Când mașina este suprasolicitată, lampa indicatoare se aprinde. Când încărcarea mașinii se reduce, lampa se stinge.
 - Dacă mașina continuă să fie suprasolicitată și lampa indicatoare continuă să fie aprinsă timp de circa două secunde, mașina se oprește. Se previne astfel avariarea motorului și a pieselor corespunzătoare.
 - În acest caz, pentru a reporni mașina, deplasați comutatorul glisant o dată în poziția "O (OFF)" (oprit) și apoi în poziția "I (ON)" (pornit).
- **Semnal de schimbare a cartușului acumulatorului**
 - Când capacitatea acumulatorului se reduce, lampa indicatoare se aprinde în timpul funcționării cu suficient timp înainte ca acumulatorul să se descarce complet.
- **Funcția de prevenire a repornirii accidentale**
 - Chiar dacă se introduce cartușul acumulatorului în mașină cu comutatorul glisant aflat în poziția "I (ON)" (pornit), mașina nu pornește. În acest caz, lampa clipește lent semnaland faptul că funcția de prevenire a repornirii accidentale este activată.
 - Pentru a porni mașina, deplasați întâi comutatorul glisant către poziția "O (OFF)" (oprit) și apoi către poziția "I (ON)" (pornit).

MONTARE

⚠ATENȚIE:

- Asigurați-vă întotdeauna că mașina este oprită și cartușul acumulatorului este scos înainte de a executa orice lucrări la mașină.

Instalarea sau demontarea pietrei de șlefuit

- **Fig.6:** 1. Cheie de 13 2. Piatră de șlefuit 3. Piuliță de strângere 4. Cheie de 13

Slăbiți piulița de strângere și introduceți piatra de șlefuit în piulița de strângere. Folosiți o cheie pentru a imobiliza arborele și cealaltă pentru a strânge ferm piulița de strângere.

Piatra de șlefuit nu trebuie montată la mai mult de 10 mm față de piulița de strângere. Depășirea acestei distanțe poate provoca vibrații sau ruperea axului.

- **Fig.7**

Pentru a demonta piatra de șlefuit, executați în ordine inversă operațiile de instalare.

⚠ATENȚIE:

- Folosiți un con elastic de strângere de dimensiuni corecte pentru piatra de șlefuit pe care intenționați să o utilizați.

FUNCȚIONARE

- **Fig.8**

Porniți mașina fără ca piatra de șlefuit să fie în contact și așteptați până când piatra de șlefuit atinge viteza maximă. Apoi aplicați piatra de șlefuit cu grijă pe piesa de prelucrat. Pentru a obține o finisare de calitate, deplasați mașina lent spre stânga.

⚠ATENȚIE:

- Aplicați o ușoară presiune asupra mașinii. O apăsare excesivă asupra mașinii poate rezulta într-o finisare de slabă calitate și în suprasolicitarea motorului.

ÎNTREȚINERE

⚠ATENȚIE:

- Asigurați-vă întotdeauna că mașina este oprită și cartușul acumulatorului este scos înainte de a executa lucrările de inspecție și întreținere.
- Nu utilizați niciodată gazolină, benzină, diluant, alcool sau alte substanțe asemănătoare. În caz contrar, pot rezulta decolorări, deformări sau fisuri.

Înlocuirea periiilor de carbon

- **Fig.9:** 1. Marcaj limită

Detashați periiile de carbon și verificați-le în mod regulat. Schimbați-le atunci când s-au uzat până la marcajul limită. Periiile de carbon trebuie să fie în permanență curate și să alunece ușor în suport. Ambele perii de carbon trebuie să fie înlocuite simultan cu alte perii identice.

- **Fig.10:** 1. Apărătoarea capacului suportului
2. Șurubelniță

Introduceți capătul șurubelniței cu vârf plat în canelura din mașină și îndepărtați apărătoarea capacului suportului prin ridicare.

- **Fig.11:** 1. Capacul suportului pentru perii
2. Șurubelniță

Folosiți o șurubelniță pentru a îndepărta capacul suportului periiilor de carbon. Scoateți periiile de carbon uzate și fixați capacul pentru periiile de carbon.

Reinstalați apărătoarea capacului suportului pe mașină. Pentru a menține siguranța și fiabilitatea mașinii, reparațiile și reglajele trebuie să fie efectuate numai la Centrele de service autorizat Makita, folosindu-se piese de schimb Makita.

ACCESORII OPȚIONALE

⚠ATENȚIE:

- Folosiți accesoriile sau piesele auxiliare recomandate pentru mașina dumneavoastră în acest manual. Utilizarea oricăror alte accesorii sau piese auxiliare poate cauza vătămări. Folosiți accesoriile pentru operațiunea pentru care au fost concepute.

Dacă aveți nevoie de asistență sau de mai multe detalii referitoare la aceste accesorii, adresați-vă centrului local de service Makita.

Mâner lateral (accesoriu)

- **Fig.12**

- **Fig.13**

- **Fig.14**

- **Fig.15**

Când folosiți mânerul lateral, îndepărtați apărătoarea de cauciuc, introduceți mânerul lateral în corpul mașinii până când se oprește și rotiți-l la unghiul dorit. Apoi strângeți mânerul ferm prin rotire în sens orar.

⚠ATENȚIE:

- Când folosiți mașina fără mâner, instalați întotdeauna apărătoarea de cauciuc pe mașină.
- La instalarea apărătoarei de cauciuc, apăsați-o întotdeauna pe mașină, astfel încât forma cu cavitate rotunjită în partea de sus a cauciucului să fie poziționată lângă comutator.

- Pietre de șlefuit
- Con elastic de strângere (3 mm, 6 mm, 8 mm, 1/4", 1/8")
- Piuliță de strângere
- Cheie de 13
- Set mâner lateral
- Acumulator și încărcător original Makita

NOTĂ:

- Unele articole din listă pot fi incluse ca accesorii standard în ambalajul de scule. Acestea pot diferi în funcție de țară.

TECHNISCHE DATEN

Modell	DGD800	DGD801
Aufnahmevermögen Spannzanze	6 mm oder 6,35 mm (1/4")	
Max. Schleifstiftdurchmesser	36 mm	
Max. Spanndorn (Schaft) Länge	46 mm	
Leerlaufdrehzahl (n_0) / Nenndrehzahl (n)	26.000 (min ⁻¹)	
Gesamtlänge	402 mm	307 mm
Netto-Gewicht	2,0 kg	1,7 kg
Nennspannung	Gleichspannung 18 V	

- Aufgrund der laufenden Forschung und Entwicklung unterliegen die hier aufgeführten technischen Daten Veränderungen ohne Hinweis.
- Die Technischen Daten und der Akkublock können in den einzelnen Ländern abweichen.
- Gewicht, mit Akkublock, ermittelt gemäß EPTA-Verfahren 01/2003

Verwendungszweck

Das Werkzeug wurde für das Schleifen von Eisenmaterial und das Entgraten von Gussstücken entwickelt.

Geräuschpegel

Die typischen A-bewerteten Geräuschpegel, bestimmt gemäß EN60745:

Schalldruckpegel (L_{pA}): 72 dB (A)

Abweichung (K): 3 dB (A)

Unter Arbeitsbedingungen kann der Schalldruckpegel 80 dB (A) überschreiten.

Tragen Sie Gehörschutz

Schwingung

Schwingungsgesamtwerte (Vektorsumme dreier Achsen) nach EN60745:

Modell DGD800

Arbeitsmodus: Flächenschleifen

Schwingungsbelastung ($a_{h,SG}$): 6,5 m/s²

Abweichung (K): 1,5 m/s²

Modell DGD801

Arbeitsmodus: Flächenschleifen

Schwingungsbelastung ($a_{h,SG}$): 2,5 m/s² oder weniger

Abweichung (K): 1,5 m/s²

HINWEIS: Die deklarierte Schwingungsbelastung wurde gemäß der Standardtestmethode gemessen und kann für den Vergleich von Werkzeugen untereinander verwendet werden.

HINWEIS: Die deklarierte Schwingungsbelastung kann auch in einer vorläufigen Bewertung der Gefährdung verwendet werden.

⚠️ WARNUNG: Die Schwingungsbelastung während der tatsächlichen Anwendung des Elektrowerkzeugs kann in Abhängigkeit von der Art und Weise der Verwendung des Werkzeugs vom deklarierten Belastungswert abweichen.

⚠️ WARNUNG: Stellen Sie sicher, dass Schutzmaßnahmen für den Bediener getroffen werden, die auf den unter den tatsächlichen Arbeitsbedingungen zu erwartenden Belastungen beruhen (beziehen Sie alle Bestandteile des Arbeitsablaufs ein, also zusätzlich zu den Arbeitszeiten auch Zeiten, in denen das Werkzeug ausgeschaltet ist oder ohne Last läuft).

Nur für europäische Länder

EG-Konformitätserklärung

Makita erklärt, dass die nachfolgende(n)

Maschine(n):

Bezeichnung der Maschine(n):

Akku- Geradschleifer

Modellnr./ -typ: DGD800, DGD801

Den folgenden EG-Richtlinien entspricht:

2006/42/EC

Sie werden gemäß den folgenden Standards oder Normen gefertigt:

EN60745

Die technischen unterlagen gemäß 2006/42/EG sind erhältlich von:

Makita, Jan-Baptist Vinkstraat 2, 3070, Belgien

10.11.2015



Yasushi Fukaya

Direktor

Makita, Jan-Baptist Vinkstraat 2, 3070, Belgien

Allgemeine Sicherheitshinweise für Elektrowerkzeuge

⚠️ WARNUNG Lesen Sie alle Sicherheitswarnungen und -anweisungen sorgfältig durch. Werden die Warnungen und Anweisungen ignoriert, besteht die Gefahr eines Stromschlags, Brands und/oder schweren Verletzungen.

Bewahren Sie alle Warnhinweise und Anweisungen zur späteren Referenz gut auf.

SICHERHEITSHINWEISE ZUM KABELLOSEN GERADSCHLEIFER

Allgemeine Sicherheitshinweise zum Schleifbetrieb:

- 1. Dieses Elektrowerkzeug wurde für den Einsatz als Schleifgerät entwickelt. Lesen Sie alle Sicherheitshinweise, Anweisungen, Abbildungen und Spezifikationen durch, die mit diesem Elektrowerkzeug geliefert wurden.** Werden nicht alle unten aufgeführten Anweisungen befolgt, besteht die Gefahr eines Stromschlags, Brands und/oder das Risiko schwerer Verletzungen.
- 2. Vorgänge wie Schmirgeln, Drahtbürsten, Polieren oder Abschneiden sollten mit diesem Elektrowerkzeug nicht ausgeführt werden.** Arbeiten, für die das Elektrowerkzeug nicht entwickelt wurde, können eine Gefahr darstellen und zu Personenschäden führen.
- 3. Verwenden Sie ausschließlich Zubehörteile, die vom Hersteller des Werkzeugs entwickelt und empfohlen wurden.** Nur weil sich Zubehörteil an dem Elektrowerkzeug befestigen lässt, garantiert das keine sichere Verwendung.
- 4. Die Nenndrehzahl der Schleifzubehörteile muss mindestens der am Elektrowerkzeug angegebenen Maximaldrehzahl entsprechen.** Schleifzubehörteile, die schneller als ihre Nenndrehzahl rotieren, können bersten und auseinander fliegen.
- 5. Außendurchmesser und Dicke des Zubehörs müssen innerhalb der Nennleistung des Elektrowerkzeugs liegen.** Zubehör mit der falschen Größe kann nicht angemessen kontrolliert werden.
- 6. Die Dorngröße der Zubehöre muss genau auf die Spannzange des Elektrowerkzeugs passen.** Zubehöre, die nicht genau auf den Aufsatz des Elektrowerkzeugs passen, laufen aus dem Gleichgewicht, vibrieren übermäßig und können zu Kontrollverlust führen.
- 7. Bei Befestigung mit einem Spanndorn müssen die Zubehöre vollständig in die Spannzange oder das Spannfutter eingesetzt werden.** Wenn der Spanndorn unzureichend befestigt ist oder der Überstand des Schleifstiftes zu groß ist, kann sich das eingespannte Zubehör lösen und unter hoher Geschwindigkeit weggeschleudert werden.
- 8. Verwenden Sie kein beschädigtes Zubehör. Überprüfen Sie vor jeder Verwendung das Zubehör wie beispielsweise Schleifscheiben auf Späne und Bruchstellen. Wenn das Elektrowerkzeug oder das Zubehör herunterfällt, überprüfen Sie, ob es beschädigt ist oder verwenden Sie unbeschädigtes Zubehör. Sobald Sie das Zubehör überprüft und montiert haben, halten Sie Abstand vom Hobel des rotierenden Zubehörteils, und lassen Sie das Elektrowerkzeug eine Minute lang mit maximaler Leerlaufdrehzahl laufen. Achten Sie auch auf einen ausreichenden Abstand umstehender Personen.** Bei diesem Test bricht beschädigtes Zubehör für gewöhnlich auseinander.
- 9. Tragen Sie eine persönliche Schutzausrüstung. Verwenden Sie je nach Anwendung Vollgesichtsschutz, Augenschutz oder Schutzbrille. Tragen Sie soweit erforderlich Staubmaske, Hörschutz, Handschuhe und Arbeitsschürze, die kleine Schleifteile oder Splitter abhält.** Der Augenschutz muss umherfliegende Fremdkörper abhalten können, die bei verschiedenen Arbeiten entstehen. Staub- oder Atemschutzmaske müssen den bei der Arbeit entstehenden Staub filtern. Wenn Sie lange lautem Lärm ausgesetzt sind, können Sie einen Hörverlust erleiden.
- 10. Achten Sie bei anderen Personen auf sicheren Abstand zu Ihrem Arbeitsbereich. Jeder, der den Arbeitsbereich betritt, muss eine persönliche Schutzausrüstung tragen.** Splitter des Werkstücks oder eines zerbrochenen Zubehörs können umherfliegen und zu Verletzungen auch außerhalb des eigentlichen Arbeitsbereichs führen.
- 11. Halten Sie das Elektrowerkzeug nur an den isolierten Griffflächen, wenn Sie Arbeiten ausführen, bei denen die Gefahr besteht, dass das Schneidwerkzeug verborgene Kabel kontaktiert.** Bei Kontakt mit einem Strom führenden Kabel können die freiliegenden Metallteile des Elektrowerkzeugs ebenfalls Strom führend werden, so dass der Benutzer einen elektrischen Schlag erleiden kann.
- 12. Halten Sie das Werkzeug während des Startvorgangs immer fest in Händen.** Das Drehmoment des Motors kann während der Beschleunigung auf die volle Drehzahl eine Drehung des Werkzeugs verursachen.
- 13. Verwenden Sie nach Möglichkeit immer Klemmen zur Sicherung des Werkstücks. Halten Sie NIEMALS ein kleines Werkstück in einer Hand und das laufende Werkzeug in der anderen Hand.** Die Fixierung eines kleinen Werkstücks mit Klemmen ermöglicht es Ihnen, beide Hände zur Kontrolle des Werkzeugs zu verwenden. Runde Materialien, wie z.B. Stifte, Leitungen oder Rohre haben die Tendenz, während des Schneidens zu rollen und können dazu führen, dass der Einsatz verkantet und in Ihre Richtung springt.

14. **Legen Sie das Elektrowerkzeug niemals ab, bevor das Zubehör völlig zum Stillstand gekommen ist.** Das sich drehende Zubehör kann in Kontakt mit der Ablagefläche geraten, wodurch Sie die Kontrolle über das Elektrowerkzeug verlieren können.
15. **Stellen Sie nach einem Einsatzwechsel oder nach dem Vornehmen von Einstellungen sicher, dass Spannzangenmutter, Spannfüter oder andere Justiervorrichtungen sicher befestigt sind.** Lose Justiervorrichtungen können sich unerwartet verschieben und zum Kontrollverlust führen. Lose rotierende Komponenten werden zu gefährlichen Schleudergeschossen.
16. **Lassen Sie das Elektrowerkzeug nicht laufen, während Sie es tragen.** Ihre Kleidung kann durch zufälligen Kontakt mit dem sich drehenden Zubehör erfasst werden, und das Zubehör kann sich in Ihren Körper bohren.
17. **Reinigen Sie regelmäßig die Ventilationsöffnungen des Elektrowerkzeugs.** Der Motorventilator zieht Staub in das Gehäuse hinein und eine übermäßige Ansammlung von Metallspänen kann elektrische Schläge verursachen.
18. **Verwenden Sie das Elektrowerkzeug nicht in der Nähe brennbarer Materialien.** Funken können diese Materialien entzünden.
19. **Verwenden Sie kein Zubehör, für das flüssiges Kühlmittel erforderlich ist.** Die Verwendung von Wasser oder anderen flüssigen Kühlmitteln kann zu einem elektrischen Schlag führen.

Rückschlag und damit verbundene Sicherheitshinweise

Bei einem Rückschlag handelt es sich um eine plötzliche Reaktion auf verklemmtes oder verkantetes Zubehör. Verhaken oder Blockieren führt zu einem abrupten Stopp des rotierenden Zubehörs. Dadurch wird ein unkontrolliertes Elektrowerkzeug gegen die Drehrichtung des Zubehörs an der Blockierstelle beschleunigt.

Wenn z.B. eine Schleifscheibe im Werkstück hakt oder blockiert, kann sich die Kante der Scheibe, die in das Werkstück eintaucht, verfangen und dadurch die Schleifscheibe ausbrechen oder einen Rückschlag verursachen. Die Scheibe springt entweder in Richtung des Bedieners oder -umstände verursacht und können durch die unten aufgeführten Maßnahmen vermieden werden.

Rückschläge werden durch eine falsche Handhabung des Elektrowerkzeugs und/oder unsachgemäße Bedienschritte oder -umstände verursacht und können durch die unten aufgeführten Maßnahmen vermieden werden.

- a) **Halten Sie das Elektrowerkzeug stets mit beiden Händen gut fest und halten Sie Ihren Körper und Ihre Arme so, dass Sie Rückschläge abfangen können.** Bei sachgerechter Vorgehensweise kann der Bediener auf sichere Weise mit Rückschlagkräften umgehen.

- b) **Arbeiten Sie besonders vorsichtig im Bereich von Ecken, scharfen Kanten usw. Verhindern Sie, dass das Zubehör vom Werkstück zurückprallt und verklemt.** Das rotierende Zubehör neigt bei Ecken, scharfen Kanten oder wenn es abprallt dazu, sich zu verklemmen. Dies verursacht einen Verlust der Kontrolle oder Rückschlag.
- c) **Kein gezahntes Sägeblatt einsetzen.** Diese Sägeblätter verursachen häufig ein Rückschlagen und führen zu Kontrollverlust.
- d) **Führen Sie den Einsatz immer in derselben Richtung in das Material ein, in der die Schnittkante aus dem Material herauskommt (die Richtung, in die die Späne geschleudert werden).** Wird das Werkzeug in der falschen Richtung eingeführt, führt dies zu einem Ausbrechen der Einsatz-Schnittkante und somit zu einem Mitziehen des Werkzeugs in diese Richtung.

Besondere Sicherheitshinweise zum Schleifen:

- a) **Verwenden Sie ausschließlich Scheibentypen, die für Ihr Elektrowerkzeug empfohlen werden, und auch dann nur für empfohlene Anwendungen.**

Zusätzliche Sicherheitshinweise:

20. **Das Werkzeug ist für die Verwendung mit gummierten Schleifstiften (Schleifkörper) ausgelegt, die permanent auf einem glatten Spanndorn ohne Gewinde (Schaft) montiert sind.**
21. **Stellen Sie sicher, dass die Trennscheibe das Werkstück nicht berührt, bevor das Werkzeug eingeschaltet wurde.**
22. **Bevor Sie das Werkzeug auf das zu bearbeitende Werkstück ansetzen, lassen Sie es einige Zeit ohne Last laufen. Achten Sie auf Vibrationen und Schlagen. Beides gibt Aufschluss über eine schlecht ausgewuchtete Scheibe oder kann auf einen nicht fachgerechten Einbau deuten.**
23. **Verwenden Sie nur die vorgeschriebene Fläche der Schleifscheibe für Schleifarbeiten.**
24. **Nehmen Sie sich vor Funkenflug in Acht. Halten Sie das Werkzeug so, dass Sie, umstehende Personen oder leicht entzündliche Materialien nicht von den Funken getroffen werden.**
25. **Lassen Sie das Werkzeug nicht unbeaufsichtigt laufen. Arbeiten Sie nur mit ihm, wenn Sie es in der Hand halten.**
26. **Vermeiden Sie eine Berührung des Werkstücks unmittelbar nach der Bearbeitung, weil es dann noch sehr heiß ist und Hautverbrennungen verursachen kann.**
27. **Befolgen Sie die Anweisungen des Herstellers zur korrekten Montage und Verwendung der Scheiben. Behandeln und lagern Sie die Scheiben mit Sorgfalt.**
28. **Achten Sie auf eine korrekte Abstützung des Werkstücks.**

29. Falls der Arbeitsplatz sehr heiß ist, feucht oder durch leitfähigen Staub stark verschmutzt ist, verwenden Sie einen Kurzschlusschalter (30 mA) zum Schutz des Bedieners.
30. Verwenden Sie dieses Werkzeug nicht zum Schneiden von asbesthaltigen Materialien.
31. Achten Sie jederzeit auf einen festen Stand. Achten Sie darauf, dass sich niemand unter Ihnen befindet, wenn Sie das Werkzeug an erhöhten Orten verwenden.
7. Selbst wenn der Akkublock schwer beschädigt oder völlig verbraucht ist, darf er nicht angezündet werden. Der Akkublock kann in den Flammen explodieren.
8. Lassen Sie den Akku nicht fallen, und vermeiden Sie Schläge gegen den Akku.
9. Verwenden Sie einen beschädigten Akkublock nicht.
10. Die enthaltenen Lithium-Ionen-Akkus unterliegen den gesetzlichen Bestimmungen über Gefahrgüter.

BEWAHREN SIE DIESE ANWEISUNGEN AUF.

⚠️ WARNUNG: Lassen Sie sich NIE durch Bequemlichkeit oder (aus fortwährendem Gebrauch gewonnener) Vertrautheit mit dem Werkzeug dazu verleiten, die Sicherheitsregeln für das Werkzeug zu missachten. Bei MISSBRÄUHLICHER Verwendung des Werkzeugs oder Missachtung der in diesem Handbuch enthaltenen Sicherheitshinweise kann es zu schweren Verletzungen kommen.

WICHTIGE SICHERHEITSANWEISUNGEN

FÜR AKKUBLOCK

1. Lesen Sie vor der Verwendung des Akkublocks alle Anweisungen und Sicherheitshinweise für (1) das Akkuladegerät, (2) den Akku und (3) das Produkt, für das der Akku verwendet wird.
2. Der Akkublock darf nicht zerlegt werden.
3. Falls die Betriebsdauer erheblich kürzer wird, beenden Sie den Betrieb umgehend. Andernfalls besteht die Gefahr einer Überhitzung sowie das Risiko möglicher Verbrennungen und sogar einer Explosion.
4. Wenn Elektrolyt in Ihre Augen gerät, waschen Sie diese mit klarem Wasser aus, und suchen Sie sofort einen Arzt auf. Andernfalls können Sie Ihre Sehfähigkeit verlieren.
5. Der Akkublock darf nicht kurzgeschlossen werden.
 - (1) Die Kontakte dürfen nicht mit leitendem Material in Berührung kommen.
 - (2) Der Akkublock darf nicht in einem Behälter aufbewahrt werden, in dem sich andere metallische Gegenstände wie beispielsweise Nägel, Münzen usw. befinden.
 - (3) Der Akkublock darf weder Feuchtigkeit noch Regen ausgesetzt werden.

Ein Kurzschluss des Akkus kann zu hohem Kriechstrom, Überhitzung, möglichen Verbrennungen und sogar zu einer Zerstörung des Geräts führen.
6. Werkzeug und Akkublock dürfen nicht an Orten aufbewahrt werden, an denen die Temperatur 50°C (122°F) oder höher erreichen kann.

- Beim kommerziellen Transport durch Dritte, z. B. Speditionsunternehmen, sind die besonderen Verpackungs- und Kennzeichnungsvorschriften zu beachten.
- Es ist unbedingt erforderlich, einen Fachmann für Gefahrstoffe bei der Vorbereitung der Ware für den Versand zu konsultieren. Bitte beachten Sie auch die geltenden nationalen Bestimmungen, die möglicherweise weitere Maßnahmen vorschreiben.
- Offene Kontakte müssen abgeklebt oder abgedeckt werden und der Akku muss so verpackt werden, dass er in der Verpackung nicht verrutschen kann.
11. Befolgen Sie die in Ihrem Land geltenden Bestimmungen bzgl. der Entsorgung von Akkus.

BEWAHREN SIE DIESE ANWEISUNGEN AUF.

⚠️ ACHTUNG: Verwenden Sie ausschließlich Originalakkus von Makita.

Die Verwendung von Akkus anderer Hersteller als Makita oder von abgeänderten Akkus kann zu einer Explosion der Akkus und in Konsequenz zu Feuer sowie Personen- und Sachschäden führen. Darüber hinaus verfällt die für das Werkzeug und Ladegerät von Makita gültige Makita-Garantie.

Tipps für den Erhalt der maximalen Akku-Nutzungsdauer

1. Laden Sie den Akkublock auf, bevor er ganz entladen ist. Beenden Sie stets den Betrieb des Werkzeugs, und laden Sie den Akkublock auf, sobald Sie eine verringerte Werkzeugeistung bemerken.
2. Laden Sie einen voll geladenen Akkublock nicht noch einmal auf. Eine Überladung verkürzt die Lebensdauer des Akkus.
3. Laden Sie den Akkublock bei einer Zimmertemperatur von 10°C - 40°C (50°F - 104°F) auf. Lassen Sie einen heißen Akkublock vor dem Aufladen abkühlen.
4. Laden Sie den Akkublock auf, wenn Sie diesen für längere Zeit nicht verwenden (mehr als sechs Monate).

FUNKTIONSBESCHREIBUNG

⚠ VORSICHT:

- Schalten Sie das Werkzeug stets aus und entfernen Sie den Akkublock, bevor Sie Einstellungen oder eine Funktionsprüfung des Werkzeugs vornehmen.

Montage und Demontage des Akkublocks

► **Abb.1:** 1. Taste 2. Rote Anzeige 3. Akkublock

⚠ VORSICHT:

- Schalten Sie das Werkzeug immer aus, bevor Sie den Akkublock einsetzen oder entnehmen.
- **Halten Sie das Werkzeug und den Akkublock sicher fest, wenn Sie den Akkublock einsetzen oder herausnehmen.** Andernfalls könnte Ihnen das Werkzeug oder der Akkublock aus den Händen fallen, sodass das Werkzeug oder der Akkublock beschädigt werden oder diese Verletzungen verursachen.

Zum Entnehmen des Akkublocks müssen Sie die Taste auf der Vorderseite des Akkublocks schieben und gleichzeitig den Akkublock aus dem Werkzeug herausziehen. Zum Einsetzen des Akkublocks müssen Sie die Zunge des Akkublocks an der Rille im Gehäuse ausrichten und in die gewünschte Position schieben. Setzen Sie den Akkublock ganz ein, bis er mit einem Klick einrastet. Wenn Sie den roten Bereich oben auf der Taste sehen können, ist der Akkublock nicht ganz eingerastet.

⚠ VORSICHT:

- Setzen Sie den Akkublock unbedingt ganz ein, bis der rote Bereich nicht mehr zu sehen ist. Andernfalls kann der Akkublock versehentlich aus dem Werkzeug fallen und Sie oder Personen in Ihrem Umfeld verletzen.
- Setzen Sie den Akkublock nicht mit Gewalt ein. Wenn der Akkublock nicht leicht hineingleitet, ist er nicht richtig angesetzt.

Akku-Schutzsystem

Das Werkzeug ist mit einem Akku-Schutzsystem ausgestattet. Dieses System schaltet die Stromversorgung des Motors automatisch aus, um die Lebensdauer des Akkus zu verlängern. Unter folgenden Bedingungen des Werkzeugs und/oder des Akkus kann das Werkzeug während des Betriebs automatisch stoppen:

- Überlastet:
Das Werkzeug wird auf eine Weise betrieben, die zu einer anormal hohen Stromaufnahme führt. Schalten Sie in dieser Situation das Werkzeug aus und beenden Sie die Arbeiten, die zu der Überlastung des Werkzeugs geführt haben. Schalten Sie das Werkzeug anschließend ein, um es wieder in Betrieb zu nehmen.
Wenn das Werkzeug nicht startet, ist der Akku überhitzt. Lassen Sie in dieser Situation den Akku erst abkühlen, bevor Sie das Werkzeug wieder einschalten.

- Spannung des Akkus zu niedrig:
Die noch vorhandene Akkuladung ist zu niedrig, und das Werkzeug startet nicht. Entnehmen Sie in dieser Situation den Akku und laden Sie den Akku wieder auf.

HINWEIS: Der Überhitzungsschutz arbeitet nur mit einem mit einem Stern gekennzeichneten Akkublock.











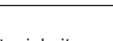
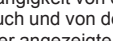




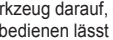
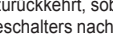
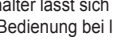
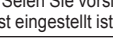
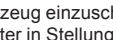
► **Abb.2:** 1. Sternmarkierung

Anzeigen der Restladung des Akkus

(Nur für Akkublocke mit einem "B" am Ende der Modellnummer.)

► **Abb.3:** 1. Anzeigelampen 2. Taste CHECK

Drücken Sie zum Anzeigen der Restladung des Akkus die Akkuprüftaste. Die Anzeigelampen leuchten dann wenige Sekunden lang auf.

Anzeigelampen			Verbleibende Akkuladung
 Leuchtet	 OFF (AUS)	 Blinkt	
			75 % bis 100 %
			50 % bis 75 %
			25 % bis 50 %
			0 % bis 25 %
			Laden Sie den Akku auf.
			Möglicherweise liegt ein Defekt des Akkus vor.

HINWEIS:

- In Abhängigkeit von den Bedingungen bei Gebrauch und von der Umgebungstemperatur kann der angezeigte Ladezustand geringfügig vom tatsächlichen Ladezustand abweichen.

Einschalten

► **Abb.4:** 1. Schiebeschalter

⚠ VORSICHT:

- Achten Sie vor dem Einsetzen des Akkublocks in das Werkzeug darauf, dass sich der Schiebeschalter korrekt bedienen lässt und auf die Position "OFF" (AUS) zurückkehrt, sobald das hintere Ende des Schiebeschalters nach unten gedrückt wird.
- Der Schalter lässt sich in Stellung "ON" arretieren, um die Bedienung bei längerem Gebrauch zu vereinfachen. Seien Sie vorsichtig, wenn das Werkzeug auf "ON" fest eingestellt ist, und halten Sie es gut fest.

Um das Werkzeug einzuschalten, schieben Sie den Schiebeschalter in Stellung "I (ON)". Für fortlaufenden Betrieb drücken Sie das vordere Ende des Schiebeschalters, um ihn zu arretieren. Zum Ausschalten des Werkzeugs drücken Sie das hintere Ende des Schiebeschalters und schieben diesen dann in Stellung "O (OFF)".

Kombinationsanzeigenleuchte

► Abb.5: 1. Anzeigenleuchte

Die Anzeigenleuchten befinden sich an zwei Stellen. Wenn der Akkublock in das Werkzeug eingesetzt wird und der Schiebeschalter auf der Position "O (OFF)" steht, leuchtet die Anzeigenleuchte etwa eine Sekunde lang kurz auf. Ist dies nicht der Fall, ist entweder der Akkublock oder die Anzeigenleuchte defekt.

— Überlastungsschutz

- Bei einer Überlastung des Werkzeugs leuchtet die Anzeigenleuchte auf. Sobald die Werkzeuglast verringert wird, erlischt die Anzeige.
- Wenn das Werkzeug weiterhin überlastet wird und die Anzeigenleuchte etwa zwei Sekunden lang leuchtet, wird das Werkzeug angehalten. Auf diese Weise wird eine Beschädigung des Motors sowie der zugehörigen Teile verhindert.
- Stellen Sie in diesem Fall den Schiebeschalter zum Neustart des Werkzeugs einmal in die Position "O (OFF)" und dann wieder in die Position "I (ON)".

— Warnsignal für erforderlichen Akku-Austausch

- Wenn die Restladung des Akkus nur noch gering ist, leuchtet die Anzeigenleuchte während des Betriebs mit dem Akku frühzeitig auf.

— Funktion zur Vermeidung eines versehentlichen Neustarts

- Selbst wenn sich der Schiebeschalter auf der Position "I (ON)" befindet und der Akkublock eingesetzt wurde, wird das Werkzeug nicht gestartet. Dabei flackert die Anzeigenleuchte langsam, was bedeutet, dass die Funktion zur Vermeidung eines versehentlichen Neustarts aktiv ist.
- Schieben Sie zum Start des Werkzeugs zunächst den Schiebeschalter in die Position "O (OFF)" und anschließend in die Position "I (ON)".

MONTAGE

▲ VORSICHT:

- Schalten Sie das Werkzeug stets aus, und entfernen Sie den Akkublock, bevor Sie Arbeiten am Werkzeug ausführen.

Montage und Demontage des Schleifstifts

► Abb.6: 1. Schlüssel 13 2. Schleifstift 3. Spannzangenmutter 4. Schlüssel 13

Die Spannzangenmutter lösen, und den Schleifstift in die Spannzangenmutter einführen. Die Spindel mit einem Schraubenschlüssel arretieren, und die Spannzangenmutter mit dem anderen Schraubenschlüssel festziehen. Der Schleifstift darf nicht mehr als 10 mm über die Spannzangenmutter überstehen. Eine Überschreitung dieses Maßes kann zu Vibrationen oder Schaftbruch führen.

► Abb.7

Das Entfernen des Schleifstifts erfolgt in umgekehrter Reihenfolge wie das Einspannen.

▲ VORSICHT:

- Verwenden Sie einen passenden Spannzangenkonus für den zu benutzenden Schleifstift.

ARBEIT

► Abb.8

Werkzeug einschalten, ohne dass der Schleifstift das Werkstück berührt, und warten, bis er die volle Drehzahl erreicht. Dann den Schleifstift sanft an das Werkstück ansetzen. Um einen sauberen Schliff zu erhalten, das Werkzeug langsam nach links bewegen.

▲ VORSICHT:

- Üben Sie nur leichten Druck auf das Werkzeug aus. Übermäßiger Druck auf das Werkzeug verursacht ein schlechtes Schliffbild und eine Überlastung des Motors.

WARTUNG

▲ VORSICHT:

- Schalten Sie das Werkzeug stets aus und entfernen Sie den Akkublock, bevor Sie Inspektionen oder Wartungsarbeiten am Werkzeug vornehmen.
- Verwenden Sie zum Reinigen niemals Kraftstoffe, Benzin, Verdünnern, Alkohol oder ähnliches. Dies kann zu Verfärbungen, Verformungen oder Rissen führen.

Kohlenwechsel

► Abb.9: 1. Grenzmarke

Nehmen Sie die Kohlen regelmäßig heraus und wechseln Sie sie. Wenn sie bis zur Grenzmarke verbraucht sind, müssen sie ausgewechselt werden. Die Kohlen müssen sauber sein und locker in ihre Halter hineinfallen. Die beiden Kohlen müssen gleichzeitig ausgewechselt werden. Verwenden Sie ausschließlich gleiche Kohlen.

► Abb.10: 1. Halterkappenabdeckung 2. Schraubendreher

Setzen Sie das obere Ende des Schlitzschraubendrehers in die Kerbe am Werkzeug, und entfernen Sie die Abdeckung der Halterkappe, indem Sie diese anheben.

► Abb.11: 1. Kohlenhalterdeckel 2. Schraubendreher

Schrauben Sie mit einem Schraubenzieher den Kohlenhalterdeckel ab. Wechseln Sie die verschlissenen Kohlen, legen Sie neue ein und schrauben Sie den Deckel wieder auf. Befestigen Sie die Abdeckung der Halterkappe wieder am Gerät.

Zur Aufrechterhaltung der SICHERHEIT und ZUVERLÄSSIGKEIT des Produkts müssen die Reparaturen und alle Wartungen und Einstellungen von den autorisierten Servicestellen der Firma Makita und unter Verwendung der Ersatzteile von Makita durchgeführt werden.

SONDERZUBEHÖR

⚠ VORSICHT:

- Für Ihr Werkzeug Makita, das in dieser Anleitung beschrieben ist, empfehlen wir folgende Zubehörteile und Aufsätze zu verwenden. Bei der Verwendung anderer Zubehörteile oder Aufsätze kann die Verletzungsgefahr für Personen drohen. Die Zubehörteile und Aufsätze dürfen nur für ihre festgelegten Zwecke verwendet werden.

Wenn Sie nähere Informationen bezüglich dieses Zubehörs benötigen, wenden Sie sich bitte an Ihre örtliche Servicestelle der Firma Makita.

Seitengriff (Zubehör)

► **Abb.12**

► **Abb.13**

► **Abb.14**

► **Abb.15**

Wenn Sie den Seitengriff verwenden, entfernen Sie den Gummischutz, führen Sie den Seitengriff so weit wie möglich in die Werkzeugtrommel ein und drehen Sie ihn dann in den gewünschten Winkel. Ziehen Sie anschließend den Griff im Uhrzeigersinn fest.

⚠ VORSICHT:

- Ohne Griff darf das Werkzeug nur mit dem Gummischutz verwendet werden.
- Drücken Sie den Gummischutz beim Anbringen immer so auf das Werkzeug, dass sich die obere runde Vertiefung des Gummis am Schalter befindet.

- Schleifstife
- Spankegelsatz (3 mm, 6 mm, 8 mm, 1/4", 1/8")
- Spannanzengmutter
- Schlüssel 13
- Seitengriffsatz
- Originalakku und Ladegerät von Makita

HINWEIS:

- Einige der in der Liste aufgeführten Elemente sind dem Werkzeugpaket als Standardzubehör beigelegt. Diese können in den einzelnen Ländern voneinander abweichen.

RÉSZLETES LEÍRÁS

Modell	DGD800	DGD801
Befogópatron kapacitása	6 mm vagy 6,35 mm (1/4")	
Max. csiszolócsúcs átmérő	36 mm	
Tengelycsap (szár) maximális hossza	46 mm	
Üresjárat fordulatszám (n_0) / Névleges fordulatszám (n)	26 000 (min^{-1})	
Teljes hossz	402 mm	307 mm
Tiszta tömeg	2,0 kg	1,7 kg
Névleges feszültség	18 V, egyenáram	

- Folyamatos kutató- és fejlesztőprogramunk eredményeként az itt felsorolt tulajdonságok figyelmeztetés nélkül megváltozhatnak.
- A műszaki adatok és az akkumulátor országokként változhatnak.
- Súly az akkumulátorral, a 01/2003 EPTA eljárás szerint meghatározva

Rendeltetészerű használat

A szerszám vastartalmú anyagok csiszolására vagy öntvények sorjázására használható.

Zaj

A tipikus A-súlyozású zajszint, a EN60745 szerint meghatározva:

Hangnyomásszint (L_{pA}): 72 dB (A)

Tűrés (K): 3 dB (A)

A zajszint a munkavégzés során meghaladhatja a 80 dB (A) értéket.

Viseljen fülvédőt

Vibráció

A vibráció teljes értéke (háromtengelyű vektorösszeg) EN60745 szerint meghatározva:

Típus DGD800

Működési mód : felületcsiszolás

Rezgéskibocsátás ($a_{h,SG}$): 6,5 m/s^2

Tűrés (K): 1,5 m/s^2

Típus DGD801

Működési mód : felületcsiszolás

Rezgéskibocsátás ($a_{h,SG}$): 2,5 m/s^2 vagy kevesebb

Tűrés (K): 1,5 m/s^2

MEGJEGYZÉS: A rezgéskibocsátás értéke a szabványos vizsgálati eljárásnak megfelelően lett mérve, és segítségével az elektromos kéziszerszámok összehasonlíthatók egymással.

MEGJEGYZÉS: A rezgéskibocsátás értékének segítségével előzetesen megbecsülhető a rezgésnek való kitettség mértéke.

FIGYELMEZTETÉS: A szerszám rezgéskibocsátása egy adott alkalmazásnál eltérhet a megadott értéktől a használat módjától függően.

FIGYELMEZTETÉS: Határozza meg a kezelő védelmét szolgáló munkavédelmi lépéseket, melyek az adott munkafeltételek mellett vibrációs hatás becslült mértékén alapulnak (figyelembe véve a munkaciklus elemeit, mint például a gép leállításának és üresjáratának mennyiségét az elindítások száma mellett).

Csak európai országokra vonatkozóan

EK Megfeleléségi nyilatkozat

A Makita kijelenti, hogy az alábbi gép(ek):

Gép megnevezése:

Vezeték nélküli lyukcsiszoló

Típuszám/típus: DGD800, DGD801

Megfelel a következő Európai direktíváknak:

2006/42/EC

Gyártása a következő szabványoknak, valamint szabványosított dokumentumoknak megfelelően történik: EN60745

A műszaki leírás a 2006/42/EK előírásainak megfelelően elérhető innen:

Makita, Jan-Baptist Vinkstraat 2, 3070, Belgium

10.11.2015



Yasushi Fukaya

Igazgató

Makita, Jan-Baptist Vinkstraat 2, 3070, Belgium

A szerszámgépekre vonatkozó általános biztonsági figyelmeztetések

FIGYELEM Olvassa el az összes biztonsági figyelmeztetést és utasítást. Ha nem tartja be a figyelmeztetéseket és utasításokat, akkor áramütést, tüzet és/vagy súlyos sérülést okozhat.

Őrizzon meg minden figyelmeztetést és utasítást a későbbi tájékozódás érdekében.

A VEZETÉK NÉLKÜLI LYUKCSISZOLÓRA VONATKOZÓ BIZTONSÁGI FIGYELMEZTETÉSEK

Általános biztonsági előírások a csiszolási műve-
letre vonatkozóan:

- 1. Ez az elektromos szerszám csiszolásra szolgál.** Olvassa el az összes, ezen elektromos szerszámhoz mellélt biztonsági figyelmeztetést, utasítást, illusztrációt és specifikációt. A következőkben leírt utasítások figyelmen kívül hagyása elektromos áramütést, tüzet és/vagy komoly sárülést eredményezhet.
- 2. Készülései, drótkéfézési, polírozási vagy vágási műveletek végzése nem javasolt ezzel az elektromos szerszámmal.** Az olyan műveletek végzése, amelyekre az elektromos szerszám nem lett tervezve, veszélyhelyzeteket és személyi sérüléseket eredményezhet.
- 3. Ne használjon olyan kiegészítőket, amelyeket nem speciálisan erre a célra lettek tervezve és a szerszám gyártója nem javasolta azok használatát.** Az, hogy a kiegészítő hozzákapcsolható a szerszámhoz, még nem biztosítja a biztonságos működést.
- 4. A csiszolótartozék névleges fordulatszáma legyen legalább akkora, mint a szerszámgépen megadott legmagasabb fordulatszámérték.** A névleges fordulatszámunknál magasabb fordulatszámra működtetett csiszolótartozékok eltérhetnek, darabjaik pedig szétrepülhetnek.
- 5. A tartozék külső átmérőjének és vastagságának az elektromos szerszám kapacitásának határain belül kell lennie.** A nem megfelelő méretű tartozékok nem uralhatók megfelelően.
- 6. A tartozékok befogócsapjának pontosan kell illeszkednie az elektromos szerszám tokmányához.** Azok a tartozékok, amelyek nem illeszkednek az elektromos szerszámhoz, az elektromos szerszám egyensúlyvesztését, túlságos rezgését és az uralom elvesztését okozhatják.
- 7. A tengelycsapos rögzítésű tartozékokat teljesen be kell tolni a befogópatronba vagy tokmányba.** Ha a tengelycsap nincs megfelelően befogva, és/vagy a tárcsa túlnyúlása túl nagy, a befogott tartozék kilazulhat, és nagy sebességgel kirepülhet a gépből.
- 8. Ne használjon sérült kiegészítőket. Minden egyes használat előtt nézze át az olyan kiegészítőket, mint pl. a csiszolótárcsák, forgácsok és repedések tekintetében. Ha az elektromos szerszám kiegészítője leesett, vizsgálja át az a sérülések tekintetében, vagy szereljen fel egy sérülésmentes kiegészítőt. A kiegészítő átvizsgálása és felszerelése után Ön és a közelben állók menjenek távol a forgó kiegészítő síkjától, majd működtesse a szerszámot a maximális terhelés nélküli sebességen egy percnél. A sérült kiegészítők általában összetörnek ezen tesztidőtartam alatt.**
- 9. Viseljen személyi védelmi eszközöket. A megmunkálás függvényében vegyen fel arcvédőt, szemvédőt vagy védőszemüveget. Ha szükséges, vegyen fel pormaszkot, fülvédőt, kesztyűt és olyan kötényt, amely képes megfogni a csiszolóanyagból vagy a munkadarabból származó kisméretű darabokat. A szemvédőnek képesnek kell lennie megfogni a különböző műveletek során keletkező repülő törmelékdarabokat. A pormaszknak vagy a légzőkészüléknek képesnek kell lennie a művelet során keletkező részecskéket kiszűrésére. A hosszabb ideig tartó nagyteljesítésű zaj halláskárosodást okozhat.**
- 10. A környezetében tartózkodók álljanak biztonságos távolságra a munkaterülettől. Bárkinek, aki a munkaterületre lép, személyi védelmi eszközöket kell felvennie. A munkadarabból vagy egy széttört kiegészítőből származó darabok szétrepülhetnek és sérüléseket okozhatnak a szerszám használati helye mögötti területen.**
- 11. Az elektromos szerszámot kizárólag a szigetelt markolási felületeinél fogva tartsa, amikor olyan műveletet végez, amelyben fennáll a veszélye, hogy a vágószerszám rejtett vezetékekbe ütközhet. Áram alatt lévő vezetékekkel való érintkezéskor a szerszám fém alkatrészei is áram alá kerülhetnek, és megrázhathatják a kezelőt.**
- 12. Az indítás során mindig tartsa szilárdan a szerszámot a kezében. Ahogy a motor felpörög a maximális fordulatszáma, a reakciónyomaték kicsavarhatja a szerszámot a kezéből.**
- 13. A munkadarabot rögzítse bilincssel, ha ez megkönnyíti a munkát. Ne úgy dolgozzon, hogy egyik kezében a kisméretű munkadarabot, a másikban pedig a szerszámot tartja. Ha a kisméretű munkadarabot befogja, a szerszámot mindkét kezével uralma alatt tudja tartani. A kerek munkadarabok, például csapok, rudak, csövek forgácsolás közben elfordulhatnak, és a szerszám megszorulhat vagy Ön felé ugorhat.**
- 14. Soha ne fektesse le az elektromos gépet addig, amíg az teljesen meg nem állt. A forgó szerszám beakadhat a felületbe, és irányíthatatlanná válhat.**
- 15. A szerszám cseréje vagy bármilyen beállítási művelet után ellenőrizze, hogy a befogópatron, tokmány vagy egyéb beállítóeszköz biztonságosan meg van-e húzva. A laza beállítóeszköz véletlenül elmozdulhat, ami az uralom elvesztését okozza, a laza forgó alkatrészek pedig veszélyesen elrepülhetnek.**
- 16. Ne működtesse a szerszámot amikor az oldalánlál viszi. Ha a szerszám véletlenül Önhöz ér, elkaphatja a ruháját, és a szerszám a testébe hatolhat.**
- 17. Rendszeresen tisztítsa meg az elektromos szerszám szellőzőnyílásait. A motor ventilátora beszívja a port a készülék belsejébe, és a fémport túlzott felhalmozódása veszélyes elektromos körülményeket teremthet.**
- 18. Ne működtesse az elektromos szerszámot gyúlékony anyagok közelében. A szikrák felgyújtják ezeket az anyagokat.**

19. **Ne használjon olyan kiegészítőket, amelyekhez folyékony hűtőközeg szükséges.** Víz vagy más folyadék használata rövidzárlatot vagy áramütést okozhat.

Visszarúgás és az ezzel kapcsolatos figyelmeztetések

A visszarúgás a szerszám hirtelen reakciója a beszorult vagy elakadt forgó tartozéokra. A becsípődés vagy beakadás a forgó tárcsa hirtelen megállását okozza, aminek következtében az irányíthatatlan elektromos szerszám az addigi forgásiránnyal ellentétesen kezd el forgogni.

Például, ha egy csiszoló tárcsa beszorul vagy beakad a munkadarabra, a becsípődési pontban megakadt tárcsa kiugorhat vagy kivetődhet a munkadarabból. A tárcsa a kezelő felé vagy az ellentétes irányba is ugorhat, attól függően, hogy mi a tárcsa mozgási iránya a becsípődési pontban. A csiszoló tárcsák ilyen körülmények között akár el is törhetnek.

A visszarúgás a szerszám helyzetét használóknak és/vagy a nem megfelelő működési eljárásoknak és körülményeknek következménye, és az alábbi óvintézkedések betartásával megelőzhető.

- Fogja stabilan az elektromos szerszámot, helyezkedjen úgy és helyezze el úgy a karjait, hogy ellen tudjon állni a visszarúgáskor fellépő erőnek.** A kezelő uralma alatt tarthatja a reakciónyomatékokat és a visszarúgáskor fellépő erőket, ha megteszi a megfelelő óvintézkedéseket.
- Legyen különösen óvatos sarkok, éles szélek stb. megmunkálásakor.** Kerülje el a tartozék pattogását vagy megugrását. A sarkok, éles szélek vagy a pattogás hatására a forgó tartozék kiugorhat, az uralom elvesztését vagy visszarúgást okozva.
- Ne szereljen fel fogazott fűrészlapot.** Ezek a lapok gyakran visszarúgást és az uralom elvesztését okozzák.
- A betétet abba az irányba tolja az anyagba, amerre a vágóél kilép az anyagból (amerre a forgács is távozik).** Ha nem a megfelelő irányba történik az előtolás, akkor a betét éle kiugrik az anyagból, és a szerszámot is ebbe az irányba húzza.

Biztonsági figyelmeztetések speciálisan a csiszolási műveletre vonatkozóan:

- Csak az elektromos szerszámhoz javasolt tárcsatiszításokat használja és csak a javasolt alkalmazásokra.**

Kiegészítő biztonsági figyelmeztetések:

- A szerszám rendelése szerint sima, nem tengelycsapra (szárra) nem eltávolítható módon felhelyezett, kötőanyaggal készült csiszolócsúcsokhoz (kőszőrűkövekhez) készült.**
- Ellenőrizze, hogy a tárcsa nem ér a munkadarabhoz, mielőtt bekapcsolja a szerszámot.**
- Mielőtt használja a szerszámot a tényleges munkadarabon, hagyja jární egy kicsit. Figyelje a rezgéseket vagy imbolgást, amelyek rosszul felszerelt vagy rosszul kiegyensúlyozott tárcsára utalhatnak.**
- Csiszoláshoz használja a tárcsa erre kijelölt felületét.**

- Figyeljen oda a repülő szikrára.** Tartsa úgy a szerszámot, hogy a szikrák Öntől, más személyektől vagy gyúlékony anyagoktól elfelé repüljenek.
- Ne hagyja a szerszámot bekapcsolva.** Csak kézben tartva használja a szerszámot.
- Ne érjen a munkadarabhoz közvetlenül a munkavégzést követően; az rendkívül forró lehet és megégetheti a bőrt.**
- Kövesse a gyártó útmutatásait a tárcsák helyes felszerelését és használatát illetően.** Körültekintően kezelje és tárolja a tárcsákat.
- Ellenőrizze, hogy a munkadarab megfelelően alá van támasztva.**
- Ha a munkahely különösen meleg és páras, vagy elektromosan vezetől porral szennyezett, használjon rövidzárlati megszakítót (30 mA) a biztonságos működés érdekében.**
- Ne használja a szerszámot azbeszttel tartalmazó anyagokon.**
- Mindig győződjön meg róla, hogy szilárd alapon áll.** A szerszám magasban történő használatkor győződjön meg arról, hogy nem tartózkodik-e valaki odalent.

ŐRIZZE MEG EZEKET AZ UTASÍTÁSOKAT.

▲ FIGYELMEZTETÉS: NE HAGYJA, hogy a kényelem vagy a termék (többször is használható adódó) mind alaposabban ismerete váltsa fel az adott termékre vonatkozó biztonsági előírások szigorú betartását. A **HELYTELEN HASZNÁLAT** és a használati útmutatóban szereplő biztonsági előírások megszegése súlyos személyi sérülésekhez vezethet.

FONTOS BIZTONSÁGI SZABÁLYOK

AZ AKKUMULÁTORRA VONATKOZÓAN

- Az akkumulátor használata előtt tanulmányozza át az akkumulátortöltőt (1), az akkumulátoron (2) és az akkumulátorral működtetett terméken (3) olvasható összes utasítást és figyelmeztető jelzést.**
- Ne szerelje szét az akkumulátort.**
- Ha a működési idő nagyon lerövidült, azonnal hagyja abba a használatot.** Ez a túlmelegedés, esetleges égések és akár robbanás veszélyével is járhat.
- Ha elektrolit kerül a szemébe, mossa ki azt tiszta vízzel és azonnal keressen orvosi segítséget.** Ez a látásának elvesztését okozhatja.
- Ne zárja rövidre az akkumulátort:**
 - Ne érjen az érintkezőkhöz elektromosan vezető anyagokkal.**
 - Ne tárolja az akkumulátort más fémtárgyakkal, mint pl. szegekkel, érmekkel, stb. egy helyen.**
 - Ne tegye ki az akkumulátort víznek vagy esőnek.**

Az akkumulátor rövidzárlata nagy áramerősséget, túlmelegedést, égéseket, sőt akár meghibásodást is okozhat.

6. Ne tárolja a szerszámot vagy az akkumulátort olyan helyen, ahol a hőmérséklet elérheti vagy meghaladhatja az 50°C-ot (122°F).
7. Ne égesse el az akkumulátort még akkor sem, ha az komolyan megsérült vagy teljesen elhasználódott. Az akkumulátor a tűzben felrobbanhat.
8. Vigyázzon, ne hagyja leejtse vagy megüsse az akkumulátort.
9. Ne használjon sérült akkumulátort.
10. A készülékben található lítium-ion akkumulátorok veszélyes anyagnak minősülnek. Kereskedelmi szállítás (pl. külső fél, szállítmányozási vállalat megbízása) esetén be kell tartani a csomagoláson és a címkéken feltüntetett különleges előírásokat. A szállítandó cikk előkészítésével kapcsolatban forduljon a veszélyes anyagok szállítási szakértőjéhez. Tartsa be az esetleg részletesebb állami előírásokat is. Fedje le szigetelőszalaggal vagy hasonlóval a szabadon álló érintkezőket, és helyezze el úgy az akkumulátorokat, hogy azok ne mozdulhassanak el a csomagolásukban.
11. Az akkumulátor ártalmatlanításakor tartsa be a helyi előírásokat.

ŐRIZZE MEG EZEKET AZ UTASÍTÁSOKAT.

⚠VIGYÁZAT: Kizárólag eredeti Makita akkumulátorokat használjon.

Ha nem eredeti Makita akkumulátort vagy átalakított akkumulátort használ, az akkumulátor felrobbanhat, ami tüzet, személyi sérülést és károkat okozhat. Ez továbbá a Makita szerszám és töltő Makita-garanciájának elvesztését is maga után vonja.

Tipppek a maximális élettartam eléréséhez

1. Töltse fel az akkumulátort még mielőtt teljesen lemerülne. Mindig kapcsolja ki a szerszámot és töltse fel az akkumulátort amikor érzi, hogy csökkent a szerszám teljesítménye.
2. Soha ne töltse újra a teljesen feltöltött akkumulátort. A túltöltés csökkenti az akkumulátor élettartamát.
3. Az akkumulátort szobahőmérsékleten töltse 10°C - 40°C (50°F - 104°F) közötti hőmérsékleten. Hagyja, hogy a forró akkumulátor lehűljön, mielőtt elkezdi azt feltölteni.
4. Töltse fel az akkumulátort, ha hosszabb ideig (több mint hat hónapig) nem használja.

MŰKÖDÉSI LEÍRÁS

⚠VIGYÁZAT:

- Minden esetben ellenőrizze, hogy a szerszám ki van kapcsolva és az akkumulátor eltávolításra került mielőtt beállít vagy ellenőriz valamilyen funkciót a szerszámon.

Az akkumulátor behelyezése és eltávolítása

► **Ábra1:** 1. Gomb 2. Piros jelölés 3. Akkumulátor

⚠VIGYÁZAT:

- Mindig kapcsolja ki az eszközt, mielőtt behelyezi vagy eltávolítja az akkumulátort.
- **Az akkumulátort és a szerszámot tartsa erősen, amikor az akkumulátort a szerszámról helyezi vagy eltávolítja arról.** Amennyiben nem így jár el, a szerszám vagy az akkumulátor a kezéből kicsúszhat és megsérülhet, illetve személyi sérülést okozhat.

Az akkumulátoregység kivételéhez nyomja be az akkumulátoregység elején található gombot, és tolja ki az egységet. Az akkumulátor beszereléséhez illessze az akkumulátor nyelvét a burkolaton található vágatba és csúsztassa a helyére. Egészen addig tolja be, amíg egy kis kattánással a helyére nem ugrik. Ha látható a piros jelölés a gomb felső oldalán, akkor a gomb nem kattant be teljesen.

⚠VIGYÁZAT:

- Mindig tolja be teljesen az akkumulátort, amíg a piros jelölés el nem tűnik. Ha ez nem történik meg, akkor az akkumulátor kieshet a szerszámból, és Önnek vagy a környezetében másnak sérülést okozhat.
- Ne erőltesse be az akkumulátort. Ha az akkumulátor nem csúszik be könnyedén, akkor nem megfelelően lett behelyezve.

Akkumulátor védőrendszer

A szerszám akkumulátorvédő rendszerrel van felszerelve. A rendszer automatikusan lekapcsolja a motor áramellátását, így megnöveli az akkumulátor élettartamát.

A szerszám használat közben automatikusan leáll, ha a szerszám és/vagy az akkumulátor a következő helyzetbe kerül:

- **Túlterhelés:**
A szerszámot úgy működteti, hogy az szokatlanul erős áramot vesz fel. Ilyenkor kapcsolja ki a szerszámot, és állítsa le azt az alkalmazást, amelyik a túlterhelést okozza. Újraindításhoz kapcsolja be a szerszámot. Ha a szerszám nem indul el, az akkumulátor túlmelegedett. Ilyenkor hagyja kihűlni az akkumulátort, mielőtt ismét bekapcsolná a szerszámot.
- **Az akkumulátor töltöttsége alacsony:**
Az akkumulátor fennmaradó töltöttsége túl alacsony, a szerszámot nem tudja működtetni. Ilyenkor távolítsa el, és töltse fel az akkumulátort.

MEGJEGYZÉS: A túlmelegedés elleni védelem csak csillag jelzésű akkumulátorral működik.

► **Ábra2:** 1. Csillag jelzés

Az akkumulátor töltöttségének jelzése

(Csak a "B" végződésű modellszámmal rendelkező akkumulátorok esetén.)

► **Ábra3:** 1. Töltöttség-szint-jelző lámpa 2. CHECK (ELLENŐRZÉS) gomb

Nyomja meg az akkumulátor ellenőrző gombját a töltöttség jelzéséhez. A jelzőfények néhány másodpercre kigyulladnak.

Töltöttség-szint-jelző lámpa			Töltöttség:
Világító lámpa	KI	Villogó lámpa	
			75 - 100 %
			50 - 75 %
			25 - 50 %
			0 - 25 %
			Töltse fel az akkumulátort.
			Előfordulhat, hogy az akkumulátor meghibásodott.

MEGJEGYZÉS:

- Az adott munkafeltételektől és a környezet hőmérsékletétől függően a jelzett töltöttségi szint némileg eltérhet a tényleges töltöttségi szinttől.

A kapcsoló használata

► **Ábra4:** 1. Csúszókapcsoló

⚠ VIGYÁZAT:

- Mielőtt berakja az akkumulátort, mindig ellenőrizze, hogy a csúszókapcsoló megfelelően működik és visszatér az "OFF" állásba amikor a csúszókapcsoló hátulsó részét lenyomja.
- Huzamosabb használatkor a kapcsoló az "ON" pozícióban elreteszeltető a kezelő munkáját megkönnyítendő. Legyen nagyon körültekintő, amikor a szerszámot elreteszeli az "ON" pozícióban és szilárdan tartsa a szerszámot.

A szerszám bekapcsolásához csúsztassa a kapcsolót az "I (ON)" pozíció irányába. A folyamatos működéshez reteszelve a csúszókapcsolót úgy, hogy lenyomja az első részét.

A szerszám kikapcsolásához nyomja le a kapcsoló hátsó részét, majd csúsztassa az "O (OFF)" pozíció irányába.

Többfunkciós jelzőlámpa

► **Ábra5:** 1. Jelzőlámpa

A jelzőlámpák két pozícióban találhatók.

Amikor az akkumulátort behelyezik a szerszámba úgy, hogy a csúszókapcsoló az "O (OFF)" állásban van, a jelzőlámpa körülbelül egy másodpercre felvillan. Ha nem villan fel, akkor az akkumulátor vagy a jelzőlámpa hibás.

— Túlterhelésvédelem

- A szerszám túlterhelésekor a jelzőlámpa kigyullad. Amikor a szerszám terhelése csökken, a lámpa kialszik.
- Ha a szerszám továbbra is túlterhelt marad és a jelzőlámpa tovább világít még körülbelül két másodpercig, akkor a szerszám kikapcsolódik. Ez meggátolja, hogy a motor és a hozzá kapcsolódó alkatrészek károsodjanak.
- Ebben az esetben a szerszám újraindításához tolja a csúszókapcsolót az "O (OFF)" állásba, majd vissza a "I (ON)" pozícióba.

— Akkumulátorcsere jelzés

- Amikor az akkumulátor töltöttsége lecsökken, a jelzőlámpa kigyullad működés közben még azelőtt, hogy az akkumulátor lemerülne.

— Véletlen újraindulást megelőző funkció

- Még ha az akkumulátor behelyezésekor a csúszókapcsoló "I (ON)" pozícióban van, a szerszám akkor sem indul be. Ekkor a lámpa lassan gyullad ki, jelezvén, hogy aktiválódott a véletlen újraindulást megelőző funkció.
- A szerszám bekapcsolásához tolja a csúszókapcsolót az "O (OFF)" állásba, majd vissza a "I (ON)" pozícióba.

ÖSSZESZERELÉS

⚠ VIGYÁZAT:

- Minden esetben ellenőrizze, hogy a szerszám ki van kapcsolva és az akkumulátor eltávolításra került mielőtt bármilyen műveletet végez a szerszámon.

A csiszolócsúcs felszerelése és eltávolítása

► **Ábra6:** 1. Kulcs, 13 2. Csiszolócsúcs
3. Befogópatron anyá 4. Kulcs, 13

Lazítsa meg a befogópatron anyáját és helyezze a csiszolócsúcsot a befogópatron anyájába. Az egyik kulccsal tartsa ellen a tengelyt, és a másikkal húzza meg az anyát.

A csiszolócsúcsot nem szabad 10 mm-nél nagyobb távolságban felszerelni a befogópatron anyájától. Ezen távolság túllépésekor rezgés léphet fel vagy a tengely eltörhet.

► **Ábra7**

A csiszolócsúcs eltávolításához kövesse a felszerelési eljárást fordított sorrendben.

⚠ VIGYÁZAT:

- Használjon a felszerelni kívánt csiszolócsúcs-hoz megfelelő méretű befogópatron kúpot.

ÜZEMELTETÉS

► Ábra8

Kapcsolja be a készüléket úgy, hogy a csiszolócsúcs ne érintkezzen a munkadarabbal és várja meg amíg a csiszolócsúcs teljes fordulatszámra forog. Ezután finoman érintse a csiszolócsúcsot a munkadarabhoz. A jó minőségű megmunkáláshoz jobbról balra haladjon a szerszámmal.

⚠ VIGYÁZAT:

- Fejtsen ki enyhe nyomást a szerszámmra. A szerszám túlzott nyomása rossz megmunkálási minőséget és a motor túlterhelését okozza.

KARBANTARTÁS

⚠ VIGYÁZAT:

- Minden esetben ellenőrizze, hogy a szerszám ki van kapcsolva és az akkumulátor eltávolításra került mielőtt átvizsgálja a szerszámot vagy annak karbantartását végzi.
- Soha ne használjon gázolajt, benzint, hígítót, alkoholt vagy hasonló anyagokat. Ezek elszíneződést, alakvesztést vagy repedést okozhatnak.

A szénkefék cseréje

► Ábra9: 1. Határjelzés

A szénkeféket cserélje és ellenőrizze rendszeresen. Cserélje ki azokat amikor lekopnak egészen a határjelzésig. Tartsa tisztán a szénkeféket és biztosítsa hogy szabadon mozoghassanak tartójukban. Mindkét szénkefét egyszerre cserélje ki. Használjon egyforma szénkeféket.

► Ábra10: 1. Szénkefetartó fedele 2. Csavarhúzó

Helyezze egy hornyolt fejú csavarhúzó felső végét a szerszámon található nyílásba és távolítsa el a szénkefetartók fedelét, felfelé emelve azokat.

► Ábra11: 1. Kefetartó sapka 2. Csavarhúzó

Csavarhúzó segítségével távolítsa el a kefetartó sapkákat. Vegye ki a kopott szénkeféket, tegye be az újakat és helyezze vissza a kefetartó sapkákat.

Helyezze vissza a szénkefetartók fedelét a szerszámmra.

A termék **BIZTONSÁGÁNAK** és

MEGBÍZHATÓSÁGÁNAK fenntartásához, a javításokat, bármilyen egyéb karbantartást vagy beállításokat a Makita Autorizált Szervizközpontoknak kell végrehajtaniuk, mindig Makita pótalkatrészek használatával.

OPCIONÁLIS KIEGÉSZÍTŐK

⚠ VIGYÁZAT:

- Ezek a tartozékok vagy kellékek ajánlottak az Önnek ebben a kézikönyvben leírt Makita szerszámához. Bármely más tartozék vagy kellék használata személyes veszélyt vagy sérülést jelenthet. A tartozékot vagy kelléket használja csupán annak kifejezett rendeltetésére.

Ha bármilyen segítségre vagy további információkra van szüksége ezekkel a tartozékokkal kapcsolatban, keresse fel a helyi Makita Szervizközpontot.

Oldalsó fogantyú (tartozék)

► Ábra12

► Ábra13

► Ábra14

► Ábra15

Az oldalsó fogantyú használatakor távolítsa el a gumi védőlapot, illessze be az oldalsó fogantyút a szerszám orsónyakába amilyen mélyen csak lehetséges, majd fordítsa el azt a kívánt szögbe. Ezt követően rögzítse a fogantyút az óramutató járásával egyező irányba elforgatva.

⚠ VIGYÁZAT:

- Amikor a szerszámot a fogantyú nélkül használja, mindig helyezze vissza a gumi védőlapot a szerszámmra.
- A gumi védőelem felszerelésekor nyomja azt rá a szerszámmra úgy, hogy a gumi felső kerek, süllyesztett része a kapcsoló közelébe essen.

- Csiszolólócsúcsok
- Befogópatron kúp (3 mm, 6 mm, 8 mm, 1/4", 1/8")
- Befogópatron anya
- Kulcs, 13
- Oldalsó fogantyú készlet
- Eredeti Makita akkumulátor és töltő

MEGJEGYZÉS:

- A listán felsorolt néhány kiegészítő megtalálható az eszköz csomagolásában standard kiegészítőként. Ezek országonként eltérőek lehetnek.

TECHNICKÉ ÚDAJE

Model	DGD800	DGD801
Kapacita puzdra	6 mm alebo 6,35 mm (1/4")	
Max. priemer kotúča	36 mm	
Max. dĺžka vretena (tŕňa)	46 mm	
Otáčky naprázdno (n_0) / Menovité otáčky (n)	26000 (min^{-1})	
Celková dĺžka	402 mm	307 mm
Hmotnosť netto	2,0 kg	1,7 kg
Menovité napätie	Jednosmerný prúd 18 V	

- Vzhľadom k neustálemu výskumu a vývoju tu uvedené technické údaje podliehajú zmenám bez upozornenia.
- Technické špecifikácie a typ akumulátora sa môžu v rámci jednotlivých krajín líšiť.
- Hmotnosť s akumulátorom podľa postupu EPTA 01/2003

Určené použitie

Tento nástroj je určený na brúsenie železných materiálov alebo odstraňovanie omytky.

Hluk

Typická hladina akustického tlaku pri záťaži A určená podľa EN60745:

Hladina akustického tlaku (L_{pA}): 72 dB (A)

Odchýlka (K) : 3 dB (A)

Úroveň hluku pri práci môže prekročiť 80 dB (A).

Používajte chrániče sluchu

Vibrácie

Celková hodnota vibrácií (trojosový vektorový súčet) určená podľa normy EN60745:

Model DGD800

Pracovný režim: brúsenie povrchu

Emisie vibrácií ($a_{h,SG}$): 6,5 m/s^2

Odchýlka (K): 1,5 m/s^2

Model DGD801

Pracovný režim: brúsenie povrchu

Emisie vibrácií ($a_{h,SG}$): 2,5 m/s^2 alebo menej

Odchýlka (K): 1,5 m/s^2

POZNÁMKA: Deklarovaná hodnota emisií vibrácií bola meraná podľa štandardnej skúšobnej metódy a môže sa použiť na porovnanie jedného náradia s druhým.

POZNÁMKA: Deklarovaná hodnota emisií vibrácií sa môže použiť aj na predbežné posúdenie vystavenia ich účinkom.

VAROVANIE: Emisie vibrácií počas skutočného používania elektrického náradia sa môžu odlišovať od deklarovanej hodnoty emisií vibrácií, a to v závislosti na spôsoboch používania náradia.

VAROVANIE: Nezabudnite označiť bezpečnostné opatrenia s cieľom chrániť obsluhu, a to tie, ktoré sa zakladajú na odhade vystavenia účinkom v rámci reálnych podmienok používania (berúc do úvahy všetky súčasti prevádzkového cyklu, ako sú doby, kedy je náradie vypnuté a kedy beží bez zaťaženia, ako dodatok k dobe zapnutia).

Len pre európske krajiny

Vyhlasenie o zhode so smernicami Európskeho spoločenstva

Spoločnosť Makita vyhlasuje, že nasledovné strojné zariadenie(a):

Označenie strojného zariadenia:

Akumulátorová priama brúska

Číslo modelu/Typ: DGD800, DGD801

Je v zhode s nasledujúcimi európskymi smernicami:

2006/42/EC

Sú vyrobené podľa nasledovných noriem a štandardizovaných dokumentov:

EN60745

Technická dokumentácia podľa smernice 2006/42/ES je k dispozícii na adrese:

Makita, Jan-Baptist Vinkstraat 2, 3070, Belgicko

10.11.2015



Yasushi Fukaya
Riaditeľ

Makita, Jan-Baptist Vinkstraat 2, 3070, Belgicko

Všeobecné bezpečnostné predpisy pre elektronáradie

UPOZORNENIE Prečítajte si všetky upozornenia a inštrukcie. Nedodržanie pokynov a inštrukcií môže mať za následok úraz elektrickým prúdom, požiar alebo vážne zranenie.

Všetky pokyny a inštrukcie si odložte pre prípad potreby v budúcnosti.

BEZPEČNOSTNÉ VÝSTRAHY PRE PRIAMU BRÚSKU

Bezpečnostné výstrahy bežné pre brúsenie:

- 1. Tento nástroj slúži ako brúska. Prečítajte si všetky bezpečnostné výstrahy, pokyny, vyobrazenia a špecifikácie určené pre tento elektrický nástroj.** Pri nedodržaní všetkých dole- uvedených pokynov môže dôjsť k úrazu elektrickým prúdom, požiaru a/alebo vážnemu poraneniu.
- 2. S týmto elektrickým nástrojom sa neodporúča vykonávať operácie ako pieskovanie, brúsenie drôteným kotúčom, leštenie alebo rozbrusovanie.** Operácie, na ktoré tento nástroj nie je určený, môžu spôsobiť riziko a spôsobiť telesné poranenie.
- 3. Nepoužívajte príslušenstvo, ktoré nie je výslovne určené a odporúčané výrobcom nástroja.** To, že príslušenstvo možno pripojiť k vášmu elektrickému nástroju, nezaisťuje bezpečnú prevádzku.
- 4. Menovitá rýchlosť brúsneho príslušenstva sa musí minimálne rovnať maximálnej rýchlosti vyznačenej na elektrickom nástroji.** Brúsne príslušenstvo prevádzkované vyššou rýchlosťou ako jeho menovitá rýchlosť môže prasknúť a rozpadnúť sa.
- 5. Vonkajší priemer a hrúbka vášho príslušenstva musí byť v rozmedzí menovitej kapacity elektrického nástroja.** Príslušenstvo nepravnej veľkosti nie je možné primerane ovládať.
- 6. Veľkosť podkladových podložiek príslušenstva musí presne padnúť na puzdro tohto elektrického nástroja.** Príslušenstvo ktoré sa nehodí na montážne vybavenie tohto elektrického nástroja, bude nevyvážené, bude nadmerne vibrovať a môže spôsobiť stratu kontroly nad nástrojom.
- 7. Príslušenstvo namontované na vretene musí byť úplne zasunuté do puzdra alebo skľučovadla.** Ak vreteno nebude dostatočne držané a/alebo prečnievanie kotúča bude veľmi veľké, namontované príslušenstvo sa môže uvoľniť a pri veľkej rýchlosti vysunúť.
- 8. Nepoužívajte poškodené príslušenstvo. Pred každým použitím skontrolujte príslušenstvo, napríklad skontrolujte rozbrusovacie kotúče, či neobsahujú úlomky a praskliny. Ak elektrický nástroj alebo nástroj spadne, skontrolujte, či nie sú poškodené alebo namontujte nepoškodené príslušenstvo. Po kontrole a namontovaní príslušenstva sa postavte vy aj okolostojáci mimo roviny otáčajúceho sa príslušenstva a spustite elektrický nástroj na maximálnu rýchlosť bez záťažou na jednu minútu. Poškodené príslušenstvo sa za normálnych okolností počas doby tohto testu rozpadne.**
- 9. Používajte osobné ochranné prostriedky. V závislosti od aplikácie používajte štít na tvár, ochranné okuliare alebo bezpečnostné okuliare. Podľa potreby použite protiprachovú masku, chrániče sluchu, rukavice a pracovnú zásteru schopnú zastaviť malé úlomky brusiva alebo obrobku. Chránič zraku musí byť schopný zastaviť odletujúce úlomky vytvárané pri rôznych úkonoch. Protiprachová maska alebo respirátor musia byť schopné filtrovať častice vytvárané pri vašej činnosti. Dlhodobé vystavenie intenzívnemu hluku môže spôsobiť stratu sluchu.**
- 10. Okolostojacich udržiavajte v bezpečnej vzdialenosti od pracovného miesta. Každý, kto vstúpi na miesto práce, musí mať osobné ochranné prostriedky.** Úlomky obrobku alebo poškodené príslušenstvo môže odletieť a spôsobiť poranenie aj mimo bezprostredného miesta práce.
- 11. Pri práci, pri ktorej by sa sečné náradie mohlo dostať do kontaktu so skrytým vedením, držte elektrický nástroj len za izolované úchopné povrchy.** Rezné príslušenstvo, ktoré sa dostane do kontaktu s vodičom pod napätím, môže spôsobiť prechod elektrického prúdu kovovými časťami elektrického náradia a spôsobiť tak obsluhu zasiahnutie elektrickým prúdom.
- 12. Počas spúšťania vždy nástroj pevne držte rukami.** Reakčný krútiaci moment motora môže pri zrýchľovaní na plné otáčky spôsobiť otáčanie nástroja.
- 13. Z praktického dôvodu používajte na podporu obrobku príchytky. Počas používania nikdy malý obrobok nedržte jednou rukou a nástroj druhou rukou.** Prichytenie malého obrobku umožňuje na ovládanie nástroja používať obe ruky. Okružlý materiál, ako sú spojovacie čapy, rúrky alebo rúry, má počas rezania sklon otáčať sa a môže spôsobiť zaseknutie bitu alebo jeho odskočenie smerom k vám.
- 14. Nikdy elektrický nástroj neodkladajte, kým sa príslušenstvo úplne nezastaví.** Otáčajúce sa príslušenstvo môže zachytiť a siahnuť elektrický nástroj mimo vašu kontrolu.
- 15. Po výmene bitov alebo vykonaní akýchkoľvek nastavení skontrolujte bezpečné utiahnutie matice puzdra, skľučovadla alebo iných nastavovacích zariadení.** Uvoľnené nastavovacie zariadenia sa môžu neočakávane posunúť s následkom straty kontroly a uvoľnené otáčajúce sa prvky budú nasilu odhodené.
- 16. Nikdy nespúšťajte elektrický nástroj, keď ho nosíte na boku.** Pri náhodnom kontakte s otáčajúcim sa príslušenstvom by vám mohlo zachytiť odev a siahnuť príslušenstvom smerom na vaše telo.
- 17. Pravidelne čistite prieduchy elektrického nástroja.** Ventilátor motora vťahuje prach dovnútra a nadmerne nahromadenie práškového kovu môže spôsobiť ohrozenie elektrickým prúdom.
- 18. Nepoužívajte nástroj v blízkosti horľavých materiálov.** Iskry mohli spôsobiť vznietenie týchto materiálov.
- 19. Nepoužívajte príslušenstvo, ktoré vyžadujú tekuté chladivá.** Pri použití vody alebo iného tekutého chladiva by mohlo dôjsť k usmrtieniu alebo úderu elektrickým prúdom.

Spätný náraz a súvisiace výstrahy

Spätný náraz je náhla reakcia na zovretie alebo zachytené otáčajúce sa príslušenstvo. Zovretie alebo prekážka v materiáli môžu spôsobiť náhle zastavenie rotujúceho príslušenstva s následkom nekontrolovateľného namáhania elektrického nástroja v smere otáčania opačnom, ako je otáčanie príslušenstva. Napríklad, pokiaľ dôjde k zovretiu alebo zaseknutiu brúsneho kotúča obrobkom, okraj kotúča vstupujúci do bodu zovretia sa môže zaseknúť v povrchu materiálu s následkom vysunutia alebo spätného nárazu kotúča. Kotúč môže vyskočiť smerom k alebo od obsluhu, čo závisí na smere otáčania kotúča v mieste zovretia. Brúsne kotúče sa môžu v rámci takýchto podmienok zlomiť.

Spätňý náraz je výsledkom nesprávneho používania a/ alebo nesprávnej obsluhy elektrického nástroja, alebo k nemu dochádza v dôsledku nesprávnych prevádzkových postupov alebo podmienok, a je možné mu predchádzať uplatňovaním správnych, dolu uvedených bezpečnostných opatrení.

- a) **Zachovávajúte pevné uchopenie elektrického nástroja a zachovajte polohu svojho tela a rúk tak, aby ste dokázali odolať silám spätného nárazu.** Obsluha môže kontrolovať sily spätného nárazu, ak sú prijaté správne opatrenia.
- b) **Pri opracovávaní rohov, ostrých hrán a pod. buďte zvlášť opatrní. Zabráňte odsakovaniu a zadržaniu prísuštenstva.** Rohy, ostré hrany alebo odsakovanie majú tendenciu zadrhnúť prísuštenstvo a spôsobiť stratu kontroly alebo spätný náraz.
- c) **Nepripájajte zúbkované pilové ostrie.** Takéto ostria často spôsobujú spätný náraz a stratu kontroly.
- d) **Vždy zasúvajte bit do materiálu rovnakým smerom ako rezný okraj vystupuje z materiálu (rovnakým smerom, akým sú odhadzované úlomky).** Zasúvanie nástroja nesprávnym smerom spôsobí, že rezný okraj bitu sa vysunie z obrobku a potiahne nástroj v smere zasúvania.

Bezpečnostné výstrahy špecifické pre brúsenie:

- a) **Používajte len typy kotúčov odporúčané pre váš elektrický nástroj a používajte ich len na odporúčané použitie.**

Ďalšie bezpečnostné výstrahy:

20. **Nástroj je určený na použitie v spojení s brúsnyimi kotúčmi s lepenými bodmi (brúsne kamene) trvalo namontovanými na rovné nezávitové vreteno (trne).**
21. **Skôr, ako zapnete spínač, skontrolujte, či sa kotúč nedotýka obrobku.**
22. **Predtým, ako použijete nástroj na konkrétnom obrobku, nechajte ho chvíľu bežať. Sledujte, či nedochádza k vibráciám alebo hádzaniu, ktoré by mohlo naznačovať nesprávnú montáž alebo nesprávne vyvážený kotúč.**
23. **Na brúsenie používajte určený povrch kotúča.**
24. **Dávajte pozor na odlietavajúce iskry. Držte nástroj tak, aby iskry odlietavali smerom od vás a iných osôb alebo horľavých materiálov.**
25. **Nenechávajte nástroj bežať bez dozoru. Pracujte s ním, len keď ho držíte v rukách.**
26. **Nedotýkajte sa obrobku hneď po úkone; môže byť extrémne horúci a môže popáliť vašu pokožku.**
27. **Dodržiavajte pokyny výrobcu pre správnu montáž a používanie kotúčov. Kotúče používajte a skladujte s opatrnosťou.**
28. **Skontrolujte, či je obrobok správne podoprený.**
29. **Pri práci v extrémne horúcom a vlhkom prostredí alebo prostredí silne znečistenom vodivým prachom používajte skratový istič (30 mA) na zaistenie bezpečnosti obsluhy.**
30. **Nepoužívajte nástroj na materiáloch obsahujúcich azbest.**

31. **Vždy dbajte na pevné postavenie. Keď použivate nástroj na vyšších miestach, skontrolujte, či niekto nie je pod vami.**

TIETO POKYNY USCHOVAJTE.

VAROVANIE: NIKDY nepripustíte, aby pohodlie a dobrá znalosť výrobku (získané opakovaným používaním) nahradili presné dodržiavanie bezpečnostných pravidiel pre náradie. NESPRÁVNE POUŽÍVANIE alebo nedodržiavanie bezpečnostných pokynov uvedených v tomto návode na obsluhu môže spôsobiť vážne poranenia osôb.

DÔLEŽITÉ BEZPEČNOSTNÉ POKYNY

PRE JEDNOTKU AKUMULÁTORA

1. **Pred použitím jednotky akumulátora si prečítajte všetky pokyny a záručné poznámky na (1) nabíjačke akumulátorov, (2) akumulátore a (3) produkte používajúcom akumulátor.**
 2. **Jednotku akumulátora nerozoberajte.**
 3. **Ak sa doba prevádzky príliš skráti, ihneď prerušte prácu. Môže nastať riziko prehriatia, možných popálením či dokonca explózie.**
 4. **V prípade zasiahnutia očí elektrolytom ich vypláchnite čistou vodou a okamžite vyhľadajte lekársku pomoc. Môže dôjsť k strate zraku.**
 5. **Jednotku akumulátora neskratujte:**
 - (1) **Nedotýkajte sa konektorov žiadnym vodivým materiálom.**
 - (2) **Neskladujte jednotku akumulátora v obale s inými kovovými predmetmi, napríklad klincami, mincami a pod.**
 - (3) **Nabíjačku akumulátorov nevystavujte vode ani dažďu.**
- Pri skratovaní akumulátora by mohlo dôjsť k vzrastu toku elektrického prúdu flow, prehriatiu, možným popáleninám či dokonca prebitiu.**
6. **Neskladujte nástroj ani jednotku akumulátora na miestach s teplotou presahujúcou 50°C (122°F).**
 7. **Jednotku akumulátora nespálujte, ani keď je vážne poškodená alebo úplne vydratá. Jednotka akumulátora môže v ohni explodovať.**
 8. **Dávajte pozor, aby akumulátor nespadol alebo nenarazil do niečoho.**
 9. **Nepoužívajte poškodený akumulátor.**

10. **Na lítium-iónové akumulátory, ktoré sú súčasťou zariadenia, sa vzťahujú požiadavky legislatívy o nebezpečných tovaroch.**

V prípade komerčnej prepravy, napr. tretími stranami alebo špedičnými spoločnosťami, je nutné dodržiavať špeciálne požiadavky uvedené na balení a označení.

Počas prípravy položky na expedovanie je nutné poradiť sa s odborníkom na nebezpečné materiály. Prosím, dodržiavajte aj podrobnejšie štátne nariadenia.

Nechránené kontakty prelepte páskou alebo zakryte a akumulátor zabaľte tak, aby sa počas prepravy nemohol v balení pohybovať.

11. **Akumulátor zneškodnite v zmysle miestnych nariadení.**

TIETO POKYNY USCHOVAJTE.

⚠️UPOZORNENIE: Používajte len originálne akumulátory značky Makita.

Ak budete používať iné než originálne akumulátory značky Makita alebo akumulátory, ktoré boli upravené, môže dôjsť k prasknutiu akumulátora s následkom požiaru, osobného poranenia a škôd. Taktiež dôjde k skončeniu platnosti záruky poskytovanej spoločnosťou Makita na nástroj a nabíjačku značky Makita.

Rady pre udržanie maximálnej životnosti akumulátora

1. **Akumulátor nabíjajte ešte predtým, ako sa úplne vybije.**
Vždy prerušte prácu s nástrojom a nabíjajte jednotku akumulátora, keď spozorujete nižší výkon nástroja.
2. **Nikdy nenabíjajte plne nabitú jednotku akumulátora.**
Prebíjanie skraca životnosť akumulátora.
3. **Jednotku akumulátora nabíjajte pri izbovej teplote pri 10°C - 40°C (50°F - 104°F).** Pred nabíjaním nechajte jednotku akumulátora vychladnúť.
4. **Ak nebudete jednotku akumulátora dlhodobo používať (dlhšie než šesť mesiacov), nabíjajte ju.**

POPIS FUNKCIE

⚠️POZOR:

- Pred úpravou alebo kontrolou funkčnosti nástroja vždy skontrolujte, či je nástroj vypnutý a blok akumulátora je vybratý.

Inštalácia alebo demontáž kazety akumulátora

- **Obr.1:** 1. Tlačidlo 2. Červený indikátor 3. Kazeta akumulátora

⚠️POZOR:

- Pred inštaláciou alebo vybratím akumulátora náradie vždy vypnite.
- **Pri vkladaní alebo vyberaní akumulátora uchopte pevne náradie aj akumulátor.** Opomenutie pevne uchopiť náradie a akumulátor môže mať za následok ich vyšmyknutie z rúk s následkom poškodenia náradia a batérie, ako aj osobných poranení.

Ak chcete vybrať akumulátor, vysuňte ho zo zariadenia, pričom posuňte tlačidlo na prednej strane akumulátora. Akumulátor vložte tak, že jazyk akumulátora nasmerujete na ryhu v kryte a zasuniete ju na miesto. Zatláčte ho úplne, kým zakliknutím nezapadne na miesto. Ak vidíte červený indikátor na hornej strane tlačidla, nie je správne zapadnutý.

⚠️POZOR:

- Akumulátor vždy nainštalujte úplne, až kým nie je vidieť červený indikátor. V opačnom prípade môže náhodne vypadnúť z náradia a ublížiť vám alebo osobám v okolí.
- Pri inštalovaní jednotky akumulátora nepoužívajte silu. Ak sa jednotka nedá zasunúť ľahko, nevkladajte ju správne.

Systém ochrany batérie

Náradie je vybavené systémom ochrany akumulátora. Tento systém automaticky vypne napájanie motora s cieľom predĺžiť životnosť akumulátora.

Náradie sa môže počas prevádzky automaticky zastaviť v prípade, ak náradie a/alebo akumulátor sú v rámci nasledujúcich podmienok.

- **Preťaženie:**
Náradie je prevádzkované spôsobom, ktorý spôsobuje odber nadmerne vysokého prúdu. V tejto situácii vypnite náradie a zastavte aplikáciu, ktorá spôsobuje preťažovanie náradia. Potom náradie znova spustíte zapnutím.
Ak sa náradie nespustí, došlo k prehriatiu akumulátora. V tejto situácii nechajte akumulátor pred opätovným zapnutím náradia vychladnúť.
- **Nízke napätie akumulátora:**
Zostávajúca kapacita akumulátora je veľmi nízka a náradie nebude fungovať. V tejto situácii akumulátor vyberte a nabíjajte ho.

POZNÁMKA: Ochrana proti prehrievaniu funguje len v prípade akumulátora so značkou hviezdíčky.

► **Obr.2:** 1. Označenie hviezdíčkou

Indikácia zvyšnej kapacity akumulátora

(Len pre akumulátory, ktoré na konci čísla modelu obsahujú "B".)

► **Obr.3:** 1. Indikátory 2. Tlačidlo CHECK

Po stlačení tlačidla na kontrolu na akumulátore sa zobrazí zostávajúca kapacita akumulátora. Indikátory sa na niekoľko sekúnd rozsvietia.

Indikátory			Zostávajúca kapacita
Svieti	Vypnuté	Bliká	
■	□	◐	
■ ■ ■ ■			75 % až 100 %
■ ■ ■ □			50 % až 75 %
■ ■ □ □			25 % až 50 %
■ □ □ □			0 % až 25 %
◐ □ □ □			Akumulátor nabité.
■ ■ □ □	↑ ↓		Akumulátor je možno chybný.
□ □ ■ ■			

POZNÁMKA:

- V závislosti na podmienkach používania a v závislosti na okolitej teplote sa môže vyznačenie mierne odlišovať od skutočnej kapacity.

Zapínanie

► **Obr.4:** 1. Posuvný prepínač

⚠ POZOR:

- Pred vložením batérie do prístroja vždy skontrolujte, či posuvný prepínač riadne funguje a vracia sa do polohy "OFF", keď je zatlačená zadná strana posuvného prepínača.
- Operátor môže počas dlhšieho používania zablokovať prepínač v polohe "ON", čo mu uľahčí prácu. Pri blokovaní nástroja v polohe "ON" buďte opatrní a nástroj pevne držte.

Nástroj spustíte posunutím vypínača do polohy "I (ON)". Nepretržitý chod dosiahnete stlačením prednej strany posuvného prepínača a jeho zablokovaním. Nástroj zastavíte stlačením zadnej strany posuvného prepínača a jeho následným posunutím do polohy "O (OFF)".

Multifunkčná kontrolka

► **Obr.5:** 1. Kontrolka

Kontrolky sú umiestnené v dvoch polohách.

Ak je v prístroji s posuvným prepínačom v polohe "O(OFF)" vložená batéria, kontrolka rýchlo zabliká približne na 1 sekundu. Ak neblinká, batéria alebo kontrolka sú pokazené.

— **Ochrana proti preťaženiu**

— Kontrolka sa rozsvieti, keď je prístroj preťažený. Keď sa zaťaženie na prístroj zníži, kontrolka zhasne.

— Ak je prístroj nepretržite preťažený a kontrolka svieti približne 2 sekundy, prístroj sa zastaví. To zabráni poškodeniu motora a jeho príslušných častí.

— V uvedenom prípade opäť naštartujte prístroj, posuňte posuvný prepínač raz do polohy "O(OFF)" a potom do polohy "I(ON)".

— **Znamenie na výmenu článku batérie**

— Ak sa zníži zvyšná kapacita batérie, kontrolka zasvieti počas prevádzky skôr ako sa vyčerpá kapacita batérie.

— **Funkcia na zabránenie náhodného spustenia**

— Aj keď je v prístroji vložená batéria a posuvný prepínač je v polohe "I (ON)", prístroj sa nespustí. Kontrolka pomaly bliká a znamená to, že je aktívna funkcia zabránenia náhodného spustenia.

— Prístroj spustíte posunutím prepínača najprv do polohy "O (OFF)" a potom do polohy "I (ON)".

MONTÁŽ

⚠ POZOR:

- Pred vykonaním akejkoľvek práce na nástroji vždy skontrolujte, či je nástroj vypnutý a kazeta akumulátora je vybratá.

Inštalácia alebo demontáž brúsneho kotúča

► **Obr.6:** 1. Kľúč 13 2. Brúsny kotúč 3. Puzdrová matica 4. Kľúč 13

Uvoľnite puzdrovú maticu a vložte do nej brúsny kotúč. Pomocou jedného kľúča pridržte vreteno a pomocou druhého kľúča pevne dotiahnite puzdrovú maticu. Brúsny kotúč by sa nemal montovať bližšie ako 10 mm od puzdrovej matice. Prekročenie tejto vzdialenosti by mohlo spôsobiť vibrácie alebo zlomený hriadeľ.

► **Obr.7**

Brúsny kotúč odstráňte opačným postupom ako pri inštalácii.

⚠ POZOR:

- Použite správnu veľkosť puzdrového kužeľa pre brúsny kotúč, ktoré chcete použiť.

PRÁCA

► Obr.8

Zapnite nástroj bez toho, aby sa brúsny kotúč dotýkal obrobku a počkajte, kým brúsny kotúč nedosiahne plnú rýchlosť. Potom opatrne priložte brúsny kotúč k obrobku. Aby ste dosiahli správnu povrchovú úpravu, pohybujte nástrojom pomaly len smerom vľavo.

▲POZOR:

- Na nástroj jemne tlačte. Nadmerný tlak na nástroj spôsobí nekalitnú povrchovú úpravu a preťaženie motora.

ÚDRŽBA

▲POZOR:

- Pred vykonaním kontroly alebo údržby vždy skontrolujte, či je nástroj vypnutý a blok akumulátora je vybratý.
- Nepoužívajte benzín, riedidlo, alkohol ani nič podobné. Mohlo by to spôsobiť zmenu farby, deformácie alebo praskliny.

Výmena uhlíkov

► Obr.9: 1. Medzná značka

Uhlíky pravidelne vyberajte a kontrolujte. Ak sú opotrebované až po medznú značku, vymeňte ich. Uhlíky musia byť čisté a musia voľne zapadať do svojich držiakov. Oba uhlíky treba vymieňať súčasne. Používajte výhradne rovnaké uhlíky.

► Obr.10: 1. Kryt držiaka 2. Skrutkovač

Vrchný koniec drážkovaného skrutkovača vložte do ryhy v prístroji a nadvihnutím vyberte kryt držiaka.

► Obr.11: 1. Veko držiaka uhlíka 2. Skrutkovač

Pomocou šrauboväka odskrutkujte veká uhlíkov. Vymňte opotrebované uhlíky, vložte nové a zaskrutkujte veká naspäť.

Kryt držiaka opäť namontujte na prístroj.

Kvôli zachovaniu BEZPEČNOSTI a SPOLAHLIVOSTI výrobkov musia byť opravy a akákoľvek ďalšia údržba či nastavovanie robené autorizovanými servisnými strediskami firmy Makita a s použitím náhradných dielov Makita.

VOLITEĽNÉ PRÍSLUŠENSTVO

▲POZOR:

- Pre váš nástroj Makita, opísaný v tomto návode, doporučujeme používať toto príslušenstvo a nástavce. Pri použití iného príslušenstva či nástavcov môže hroziť nebezpečenstvo zranenia osôb. Príslušenstvo a nástavce sa môžu používať len na účely pre ne stanovené.

Ak potrebujete bližšie informácie týkajúce sa tohoto príslušenstva, obráťte sa na vaše miestne servisné stredisko firmy Makita.

Prídavná rukoväť (príslušenstvo)

► Obr.12

► Obr.13

► Obr.14

► Obr.15

Keď používate bočnú rukoväť, odstráňte gumový protektor, nasadte bočnú rukoväť na valec nástroja čo najďalej ako sa dá do požadovaného uhla. Potom rukoväť dotiahnite otáčaním v smere pohybu hodinových ručičiek.

▲POZOR:

- Keď používate nástroj bez bočnej rukoväte, vždy nasadte gumový protektor nástroj.
- Pri inštalácii gumeného ochranného prvku tento prvok vždy zatlačte do náradia tak, aby horný preliačený povrch sa nachádzal v blízkosti polohy vypínača.

- Brúsne kotúče
- Puzdrový kužel (3 mm, 6 mm, 8 mm, 1/4", 1/8")
- Puzdrová matica
- Kľúč 13
- Súprava bočnej rukoväte
- Originálna batéria a nabíjačka Makita

POZNÁMKY:

- Niektoré položky zo zoznamu môžu byť súčasťou balenia náradia vo forme štandardného príslušenstva. Rozsah týchto položiek môže byť v každej krajine odlišný.

TECHNICKÉ ÚDAJE

Model	DGD800	DGD801
Průměr upínací kleštiny	6 mm nebo 6,35 mm (1/4")	
Max. průměr stopky	36 mm	
Max. délka stopky	46 mm	
Otáčky bez zatížení (n_0) / jmenovité otáčky (n)	26 000 (min ⁻¹)	
Celková délka	402 mm	307 mm
Hmotnost netto	2,0 kg	1,7 kg
Jmenovité napětí	18 V DC	

- Vzhledem k neustálému výzkumu a vývoji zde uvedené technické údaje podléhají změnám bez upozornění.
- Technické údaje a blok akumulátoru se mohou v různých zemích lišit.
- Hmotnost s blokem akumulátoru dle EPTA – Procedure 01/2003

Určení nástroje

Nástroj je určen k broušení železných materiálů a odstraňování otřepů z odlitků.

Hlučnost

Typická vážená hladina hluku (A) určená podle normy EN60745:

Hladina akustického tlaku (L_{pA}): 72 dB (A)

Nejistota (K): 3 dB (A)

Hladina hluku při práci může překročit hodnotu 80 dB (A).

Používejte ochranu sluchu

Vibrace

Celková hodnota vibrací (vektorový součet tří os) určená podle normy EN60745:

Model DGD800

Pracovní režim: povrchové broušení

Emise vibrací ($a_{h,SG}$): 6,5 m/s²

Nejistota (K): 1,5 m/s²

Model DGD801

Pracovní režim: povrchové broušení

Emise vibrací ($a_{h,SG}$): 2,5 m/s² nebo méně

Nejistota (K): 1,5 m/s²

POZNÁMKA: Deklarovaná hodnota emisí vibrací byla změřena v souladu se standardní testovací metodou a může být využita ke srovnávání nářadí mezi sebou.

POZNÁMKA: Deklarovanou hodnotu emisí vibrací lze rovněž využít k předběžnému posouzení vystavení jejich vlivu.

VAROVÁNÍ: Emise vibrací během skutečného používání elektrického nářadí se mohou od deklarované hodnoty emisí vibrací lišit v závislosti na způsobu použití nářadí.

VAROVÁNÍ: Na základě odhadu vystavení účinkům vibrací v aktuálních podmínkách zajistěte bezpečnostní opatření k ochraně obsluhy (vezměte v úvahu všechny části pracovního cyklu, mezi něž patří kromě doby pracovního nasazení i doba, kdy je nářadí vypnuto nebo pracuje ve volnoběhu).

Pouze pro země Evropy

Prohlášení ES o shodě

Společnost Makita prohlašuje, že následující zařízení:

Popis zařízení:

Akumulátorová kleštinová bruska

Č. modelu/typ: DGD800, DGD801

A vyhovuje následujícím evropským směrnicím:
2006/42/EC

Zařízení bylo vyrobeno v souladu s následující normou či normativními dokumenty:

EN60745

Technická dokumentace dle 2006/42/ES je k dispozici na adrese:

Makita, Jan-Baptist Vinkstraat 2, 3070, Belgie

10.11.2015



Yasushi Fukaya

Ředitel

Makita, Jan-Baptist Vinkstraat 2, 3070, Belgie

Obecná bezpečnostní upozornění k elektrickému nářadí

⚠ UPOZORNĚNÍ Přečtěte si všechna bezpečnostní upozornění a pokyny. Při nedodržení upozornění a pokynů může dojít k úrazu elektrickým proudem, požáru nebo vážnému zranění.

Všechna upozornění a pokyny si uschovejte pro budoucí potřebu.

BEZPEČNOSTNÍ UPOZORNĚNÍ K AKUMULÁTOROVÉ PŘÍMÉ BRUSCE

Obecné bezpečnostní výstrahy pro broušení:

1. **Tento elektrický nástroj je určen k použití jako bruska. Přečtěte si bezpečnostní výstrahy, pokyny, ilustrace a technické údaje dodané s tímto elektrickým nástrojem.** Nedodržení všech pokynů uvedených níže může způsobit úraz elektrickým proudem, požár a/nebo vážné poranění.
2. **Tento elektrický nástroj se nedoporučuje používat k operacím, jako je broušení, kartáčování, leštění či rozbrušování.** Budete-li pomocí tohoto nástroje provádět práce, pro které není nástroj určen, můžete se vystavit rizikům a možnosti poranění.
3. **Nepoužívejte příslušenství, které není speciálně určeno pro nástroj a doporučeno jeho výrobcem.** Pouhá možnost upevnění příslušenství na elektrický nástroj nezaručuje jeho bezpečnou funkci.
4. **Jmenovité otáčky brusného příslušenství se musí minimálně rovnat maximální rychlosti označené na elektrickém nářadí.** Brusné příslušenství pracující při vyšších než jmenovitých otáčkách se může roztrhnout a rozlétnout.
5. **Vnější průměr a tloušťka příslušenství musí odpovídat jmenovitým hodnotám určeným pro dané elektrické nářadí.** Příslušenství nesprávné velikosti nelze řádně kontrolovat.
6. **Průměr stopky příslušenství musí odpovídat kleštině elektrického nářadí.** Příslušenství neodpovídající upevňovacímu mechanismu elektrického nářadí nebude vyvážené, povede k nadměrným vibracím a může způsobit ztrátu kontroly.
7. **Příslušenství upínané za stopku musí být zcela zasunuto do kleštiny či skličidla.** Jestliže je stopka nedostatečně uchycena nebo brusné tělísko příliš vyčnívá, může se montované příslušenství uvolnit a vysokou rychlostí vymrštit.
8. **Nepoužívejte poškozené příslušenství. Před každým použitím příslušenství (např. brusných kotoučů) zkontrolujte, zda nevykazuje trhliny nebo není znečištěno třískami. Pokud jste nástroj nebo příslušenství upustili, ověřte, zda nedošlo ke škodám a případně poškozené příslušenství v yměňte. Po kontrole a instalaci příslušenství se postavte mimo rovinu otáčejícího se příslušenství (tento požadavek platí také pro jakékoliv okolostojící osoby) a nechejte elektrický nástroj jednu minutu běžet při maximálních otáčkách bez zatížení. Poškozené příslušenství se obvykle během této zkušební doby roztrhne.**
9. **Používejte osobní ochranné prostředky. Pouze typu prováděné práce používejte obličejový štít nebo ochranné brýle. Podle potřeby používejte protiprachovou masku, ochranu sluchu, rukavice a pracovní zástěru, která je schopna zastavit malé kousky brusiva nebo části zpracovávaného dílu.** Ochrana zraku může odolat odletujícímu materiálu vznikajícímu při různých činnostech. Protiprachová maska nebo respirátor musí filtrovat částice vznikající při prováděné práci. Proloužené vystavení hluku vysoké intenzity může způsobit ztrátu sluchu.

10. **Zajistěte, aby okolostojící osoby dodržovaly bezpečnou vzdálenost od místa provádění práce. Všechny osoby vstupující na pracoviště musí používat osobní ochranné prostředky.** Úlomky dílu nebo roztrženého příslušenství mohou odletovat a způsobit zranění i ve větší vzdálenosti od pracoviště.
11. **Při práci v místech, kde může dojít ke kontaktu vyžinicího nástroje se skrytým elektrickým vedením, držte elektrické nářadí pouze za izolované části držadel.** Řezací příslušenství může při kontaktu s vodičem pod napětím přenést proud do nechráněných kovových částí elektrického nářadí a obsluha může utrpět úraz elektrickým proudem.
12. **Při zapínání držte nářadí pevně v rukou.** Reakce na točivý moment motoru zrychlujícího do plných otáček může způsobit rotační pohyb nářadí.
13. **K zajištění obrobku použijte vždy pokud možno svěrky. Při práci nikdy nedržte malý obrobek v jedné ruce a nářadí ve druhé.** Uprnutím malého obrobku si ruce uvolníte k zajištění kontroly nad nářadím. Kulatý materiál, jako jsou tyče, trubky či roury mají při opracovávání tendenci k otáčení a mohou způsobit ohnutí pracovního nástroje nebo odvržení nářadí směrem k obsluze.
14. **Elektrický nástroj nikdy nepokládejte před tím, než příslušenství dosáhne úplného klidu.** Otáčející se příslušenství se může zachytit o povrch a způsobit ztrátu kontroly nad elektrickým nástrojem.
15. **Po výměně pracovního nástroje či provedení sřezání se ujistěte, zda je matice kleštiny, skličidlo či jiný nastavitelný díl pevně dotažen.** Uvolněné nastavitelné prvky mohou nekontrolovatelně změnit polohu, způsobit ztrátu kontroly a uvolněné rotační díly mohou být prudce odmrštěny.
16. **Nikdy nástroj neuvádějte do chodu, pokud jej přenašíte po svém boku.** Náhodný kontakt s otáčejícím se příslušenstvím by mohl zachytit váš oděv a vtáhnout vás do nástroje.
17. **Pravidelně čistěte větrací otvory elektrického nástroje.** Ventilátor motoru nasává dovnitř skříňné prach. Dojde-li k nadměrnému nahromadění kovového prachu, mohou vzniknout elektrická rizika.
18. **Neprovozujte elektrický nástroj v blízkosti hořlavých materiálů.** Odletující jiskry by mohly tyto materiály zapálit.
19. **Nepoužívejte příslušenství vyžadující použití chladících kapalin.** Použití vody nebo jiné chladicí kapaliny může vést k úmrtí nebo úrazu elektrickým proudem.

Zpětný ráz a související upozornění

Zpětný ráz je náhlá reakce na skřípnutí či zaseknutí otáčejícího se příslušenství. Skřípnutí či zaseknutí způsobí prudké zastavení rotujícího příslušenství, jež vyvolá nekontrolované odvržení elektrického nářadí v opačném směru otáčení příslušenství. Pokud se například brusné tělísko skřípne či zadrhne o obrobek, může se hrana tělíska v bodě zadrhnutí zakusnout do povrchu materiálu a způsobit odvržení nebo vyhození tělíska. Brusné tělísko může vyskočit směrem k obsluze nebo od ní podle toho, v jakém směru se tělísko pohybuje v místě skřípnutí. Za těchto podmínek může také dojít i k roztržení brusného tělíska.

Zpětný ráz je důsledkem chybného zacházení s elektrickým nářadím nebo nesprávných pracovních postupů či podmínek a lze mu zamezit dodržováním příslušných opatření, o nichž je pojednáno níže.

a) **Elektrické nářadí pevně držte a zaujměte takový postoj těla a pozici rukou, abyste silám zpětných rázů odolali.** Za předpokladu přijetí správných preventivních opatření může obsluha síly zpětných rázů zvládnout.

b) **Zvláštní opatnost zachovávejte při opravování rohů, ostrých hran, atd. Vyvarujte se narážení a skřípnutí příslušenství.** Rohy a ostré hrany mají tendenci zachycovat otáčející se příslušenství, což vede ke ztrátě kontroly nebo zpětnému rázu.

c) **Nenasazujte ozubený pilový kotouč.** Takové kotouče často způsobují zpětné rázy a ztrátu kontroly.

d) **Pracovní nástroj ved'te do materiálu vždy stejným směrem, jakým pracovní nástroj z materiálu vychází (směr totožný se směrem výhozu třísek).** Vedení nářadí chybným směrem způsobí sklouznutí pracovního nástroje z obrobku a tažení nářadí ve směru takového vedení.

Zvláštní bezpečnostní výstrahy pro broušení:

a) **Používejte pouze typy tělísek doporučené pro vaše elektrické nářadí a pouze pro doporučené způsoby použití.**

Dodatečná bezpečnostní upozornění:

- Nářadí je určeno k použití s brusnými tělísky z pojeného brusiva (brusné kameny) trvale upevněnými na hladké nezávítové stopce.
- Před zapnutím spínače se přesvědčte, zda se kotouč nedotýká dílu.
- Před použitím nástroje na skutečném dílu jej nechejte na chvíli běžet. Sledujte, zda nevznikají vibrace nebo viklání, které by mohly signalizovat špatně nainstalovaný nebo nedostatečně vyvážený kotouč.
- Při broušení používejte stanovený povrch kotouče.
- Dávejte pozor na odletující jiskry. Držte nástroj tak, aby jiskry odletovaly mimo vás či jiné osoby a mimo hořlavé materiály.
- Nenechávejte nástroj běžet bez dozoru. Pracujte s ním, jen když jej držíte v rukou.
- Bezprostředně po ukončení práce se nedotýkejte nástroje; může dosahovat velmi vysokých teplot a popálit pokožku.
- Dodržujte pokyny výrobce týkající se správné montáže a použití kotoučů. Při manipulaci a skladování kotoučů je nutno zachovávat opatrnost.
- Zkontrolujte, zda je díl řádně podepřen.
- Pokud se na pracovišti vyskytují velice vysoké teploty či vlhkost nebo je pracoviště znečištěno vodivým prachem, použijte k zajištění bezpečnosti obsluhy zkratový jistič (30 mA).
- Nepoužívejte nástroj ke zpracování materiálů obsahujících azbest.
- Vždy zaujměte stabilní postoj. Při práci s nástrojem ve výškách dbejte, aby se pod nástrojem nepohybovaly žádné osoby.

TYTO POKYNY USCHOVEJTE.

VAROVÁNÍ: NEDOVOLTE, aby pohodlnost nebo pocit znalosti výrobku (získání na základě opakovaného používání) vedly k zanedbání dodržování bezpečnostních pravidel platných pro tento výrobek. NESPRÁVNÉ POUŽÍVÁNÍ nebo nedodržení bezpečnostních pravidel uvedených v tomto návodu k obsluze může způsobit vážné zranění.

DŮLEŽITÉ BEZPEČNOSTNÍ POKYNY

AKUMULÁTOR

- Před použitím akumulátoru si přečtete všechny pokyny a varovné symboly na (1) nabíječe, (2) baterii a (3) výrobku využívajícím baterii.
- Akumulátor nedemontujte.
- Pokud se příliš zkrátí provozní doba akumulátoru, přerušte okamžitě provoz. V opačném případě existuje riziko přehřívání, popálení nebo dokonce výbuchu.
- Budou-li vaše oči zasaženy elektrolytem, vypláchněte je čistou vodou a okamžitě vyhledejte lékařskou pomoc. Může dojít ke ztrátě zraku.
- Akumulátor nezkratujte:
 - Ne dotýkejte se svorek žádným vodivým materiálem.
 - Akumulátor neskladujte v nádobě s jinými kovovými předměty, jako jsou hřebíky, mince, apod.
 - Akumulátor nevystavujte vodě ani dešti. Zkrat akumulátoru může způsobit velký průtok proudu, přehřátí, možné popálení a dokonce i poruchu.
- Neskladujte nástroj a akumulátor na místech, kde může teplota překročit 50 °C (122 °F).
- Nespalujte akumulátor, ani když je vážně poškozen nebo úplně opotřeben. Akumulátor může v ohni vybuchnout.
- Dávejte pozor, abyste baterii neupustili ani s ní nenaráželi.
- Nepoužívejte poškozené akumulátory.
- Obsažené lithium-iontové akumulátory podléhají požadavkům legislativy o nebezpečném zboží.

Při komerční přepravě, např. třetími stranami nebo přepravci, musí být dodrženy speciální požadavky týkající se balení a označení.

Při přípravě výrobku k expedici je vyžadována konzultace s odborníkem na nebezpečné materiály. Dodržujte také národní předpisy, jež mohou obsahovat podrobnější informace.

Odkryté kontakty přelepte nebo zakryjte a akumulátor zabalte tak, aby se v obalu nemohl pohybovat.
- Při likvidaci akumulátoru postupujte podle místních předpisů.

TYTO POKYNY USCHOVEJTE.

⚠️ UPOZORNĚNÍ: Používejte pouze originální akumulátory Makita.

Použití neoriginálních akumulátorů Makita nebo pozměněných akumulátorů může způsobit explozi akumulátoru s následným požárem, zraněním či škodami na majetku. Dojde rovněž ke ztrátě platnosti záruky Makita na nářadí a nabíječku Makita.

Tipy k zajištění maximální životnosti akumulátoru

1. **Akumulátor nabijte před tím, než dojde k úplnému vybití baterie.**
Pokud si povšimnete sníženého výkonu nástroje, vždy jej zastavte a dobijte akumulátor.
2. **Nikdy nenabíjete úplně nabitý akumulátor.**
Přebíjení zkracuje životnost akumulátoru.
3. **Akumulátor nabíjete při pokojové teplotě v rozmezí od 10 °C do 40 °C (50 °F - 104 °F).**
Před nabíjením nechejte horký akumulátor zchladnout.
4. **Nebudete-li nářadí delší dobu používat (déle než šest měsíců), dobijte blok akumulátoru.**

POPIS FUNKCE

⚠️ UPOZORNĚNÍ:

- Před nastavováním nástroje nebo kontrolou jeho funkce se vždy přesvědčte, zda je nástroj vypnutý a je odpojen jeho akumulátor.

Instalace a demontáž akumulátoru

- **Obr.1:** 1. Tlačítko 2. Červený indikátor
3. Akumulátor

⚠️ UPOZORNĚNÍ:

- Před nasazením či sejmutím bloku akumulátoru nářadí vždy vypněte.
- **Při nasazování či snímání bloku akumulátoru pevně držte nářadí i akumulátor.** V opačném případě vám mohou nářadí nebo akumulátor vyklouznout z ruky a mohlo by dojít k jejich poškození či ke zranění.

Jestliže chcete blok akumulátoru vyjmout, vysuňte jej se současným přesunutím tlačítka na přední straně akumulátoru.

Při instalaci akumulátoru vyrovnejte jazýček na bloku akumulátoru s drážkou v krytu a zasuňte akumulátor na místo. Akumulátor zasuňte na doraz, až zacvakne na místo. Není-li tlačítko zcela zajištěno, uvidíte na jeho horní straně červený indikátor.

⚠️ UPOZORNĚNÍ:

- Akumulátor zasunujte vždy zcela tak, aby nebyl červený indikátor vidět. Jinak by mohl akumulátor ze zařízení vypadnout a způsobit zranění obsluze či přihlížejícím osobám.
- Blok akumulátoru nenasazujte násilím. Nelze-li akumulátor zasunout snadno, nekláďte jej správně.

System ochrany akumulátoru

Nářadí je vybaveno systémem ochrany akumulátoru. Tento systém automaticky přeruší napájení motoru, aby se prodloužila životnost akumulátoru.

Budou-li nářadí nebo akumulátor vystaveny některé z níže uvedených podmínek, nářadí se během provozu automaticky vypne:

- **Přetížení:**
S nářadím se pracuje takovým způsobem, že dochází k odběru mimořádně vysokého proudu.
V takové situaci nářadí vypne a ukončete činnost, při níž došlo k přetížení nářadí.
Potom nářadí zapnete a obnovte činnost.
Jestliže se nářadí nespustí, došlo k přehřátí akumulátoru. V takovém případě nechte akumulátor před opětovným zapnutím nářadí vychladnout.
- **Nízké napětí akumulátoru:**
Zbývající kapacita akumulátoru je příliš nízká a nářadí nebude pracovat. V takovém případě vyjměte akumulátor a dobijte jej.

POZNÁMKA: Ochrana proti přehřátí funguje pouze při použití bloku akumulátoru označeného hvězdičkou.

► **Obr.2:** 1. Značka hvězdičky

Indikace zbývající kapacity akumulátoru

(Pouze pro bloky akumulátorů označené písmenem „B“ na konci čísla modelu.)

► **Obr.3:** 1. Kontrolky 2. Tlačítko CHECK (kontrola)

Stisknutím kontrolního tlačítka na bloku akumulátoru zobrazíte zbývající kapacitu akumulátoru. Kontrolky indikátoru se na několik sekund rozsvítí.

Kontrolky			Zbývající kapacita
Svítil	VYP	Bliká	
■	■	■	75 až 100 %
■	■	□	50 až 75 %
■	□	□	25 až 50 %
■	□	□	0 až 25 %
◼	□	□	Nabijte akumulátor.
■	□	□	Došlo pravděpodobně k poruše akumulátoru.
□	□	■	

POZNÁMKA:

- Kapacita udávaná indikátorem se může mírně lišit od kapacity skutečné v závislosti na podmínkách používání a teplotě prostředí.

Zapínání

► **Obr.4:** 1. Posuvný spínač

⚠ UPOZORNĚNÍ:

- Před vložením akumulátoru do nástroje vždy zkontrolujte, zda posuvný spínač funguje správně a zda se po stisknutí zadní části posuvného spínače vrací do vypnuté polohy.
- Spínač lze zablokovat v poloze zapnuto. Pracovníkovi se tak usnadňuje práce prováděná po delší dobu. Zajistěte-li nástroj v poloze zapnuto, postupujte se zvýšenou opatrností a neustále nástroj pevně držte.

Nástroj se spouští přesunutím posuvného spínače do polohy zapnuto „I“. Požadujete-li nepřetržitou funkci, stisknutím přední části posuvného spínače jej zajistíte. Pokud chcete nástroj zastavit, stiskněte zadní část posuvného spínače a přesuňte jej do polohy vypnuto „O“.

Vícefunkční kontrolka

► **Obr.5:** 1. Kontrolka

Kontrolky se nacházejí na dvou místech.

Je-li akumulátor vložen do nástroje, jehož posuvný spínač se nachází v poloze vypnuto „O“, bude kontrolka rychle blikat přibližně po dobu jedné sekundy. Pokud kontrolka neblíká, došlo k poruše akumulátoru nebo kontrolky.

— Ochrana proti přetížení

- Je-li nástroj přetížen, rozsvítí se kontrolka. Jakmile zatížení nástroje klesne, kontrolka zhasne.
- Pokud je nástroj nadále přetížen a kontrolka svítí po dobu přibližně dvou sekund, nástroj se zastaví. Zabraňuje se tak poškození motoru a příbuzných dílů.
- V tomto případě spusťte nástroj znovu, přešuněte posuvný spínač do polohy vypnuto „O“ a poté do polohy zapnuto „I“.

— Signál pro výměnu akumulátoru

- Dosáhne-li zbývající kapacita akumulátoru nízké hodnoty, rozsvítí se během provozu kontrolka dříve, než v případě dostatečně nabitých baterie.

— Funkce pojistky proti náhodnému spuštění

- Nástroj se nespustí, i když je do nástroje, jehož posuvný spínač se nachází v poloze zapnuto „I“, vložen akumulátor. V tomto okamžiku kontrolka pomalu bliká a signalizuje tak, že je aktivní funkce pojistky proti náhodnému spuštění.
- Chcete-li nástroj uvést do chodu, nejdříve přešuněte posuvný spínač do polohy vypnuto „O“ a poté do polohy zapnuto „I“.

MONTÁŽ

⚠ UPOZORNĚNÍ:

- Před prováděním libovolných prací na nástroji se vždy přesvědčte, zda je nástroj vypnutý a je odpojen jeho akumulátor.

Instalace a demontáž kotoučového hrotu

► **Obr.6:** 1. Klíč 13 2. Kotoučový hrot 3. Matice upínacího pouzdra 4. Klíč 13

Povolte matici kleštiny a vložte do ní kotoučový hrot. Jedním klíčem přidržete vřeteno a druhým pevně dotáhněte matici kleštiny.

Kotoučový hrot by měl z matice kleštiny vyčnívat o více než 10 mm. Překročení této vzdálenosti by mohlo způsobit vibrace a zlomení hřídele.

► **Obr.7**

Při demontáži kotoučového hrotu použijte opačný postup montáže.

⚠ UPOZORNĚNÍ:

- Použijte správnou velikost kužele kleštiny odpovídající kotoučovému hrotu, který chcete použít.

PRÁCE

► Obr.8

Zapněte nástroj bez toho, aby byl kotoučový hrot ve styku s dílem a počkejte, dokud kotoučový hrot nedosáhne plné rychlosti. Poté zlehka přiložte kotoučový hrot na díl. Chcete-li dosáhnout dobré kvality povrchu, posunujte nástrojem pomalu směrem doleva.

▲ UPOZORNĚNÍ:

- Vyvítejte na nástroj mírný tlak. Bude-li na nástroj vyvinut příliš velký tlak, bude mít povrch nízkou kvalitu a dojde k přetížení motoru.

ÚDRŽBA

▲ UPOZORNĚNÍ:

- Před zahájením kontroly nebo údržby nástroje se vždy přesvědčte, zda je nástroj vypnutý a je odpojen akumulátor.
- Nikdy nepoužívejte benzín, benzen, ředidlo, alkohol či podobné prostředky. Mohlo by tak dojít ke změnám barvy, deformacím či vzniku prasklin.

Výměna uhlíků

► Obr.9: 1. Mezní značka

Uhlíky pravidelně vyjímejte a kontrolujte. Jsou-li opotřebené až po mezní značku, vyměňte je. Uhlíky musí být čisté a musí volně zapadat do svých držáků. Oba uhlíky je třeba vyměňovat současně. Používejte výhradně stejné uhlíky.

► Obr.10: 1. Kryt víčka 2. Šroubovák

Vložte konec plochého šroubováku do drážky v nástroji a zvednutím demontujte kryt víčka.

► Obr.11: 1. Víčko držáku uhlíku 2. Šroubovák

Pomocí šroubováku odšroubujte víčka uhlíků. Vyměňte opotřebené uhlíky, vložte nové a zašroubujte víčka nazpět.

Nainstalujte kryt víčka zpět na nástroj.

Kvůli zachování BEZPEČNOSTI a SPOLEHLIVOSTI výrobku musí být opravy a veškerá další údržba či seřizování prováděny autorizovanými servisními středisky firmy Makita a s použitím náhradních dílů Makita.

VOLITELNÉ PŘÍSLUŠENSTVÍ

▲ UPOZORNĚNÍ:

- Pro váš nástroj Makita, popsany v tomto návodu, doporučujeme používat toto příslušenství a nástavce. Při použití jiného příslušenství či nástavců může hrozit nebezpečí zranění osob. Příslušenství a nástavce lze používat pouze pro jejich stanovené účely.

Potřebujete-li bližší informace ohledně tohoto příslušenství, obraťte se na vaše místní servisní středisko firmy Makita.

Boční držadlo (příslušenství)

► Obr.12

► Obr.13

► Obr.14

► Obr.15

Při použití bočního držadla demontujte pryžovou krytku, vložte boční držadlo co nejdále do válce nástroje a otočte jej na požadovaný úhel. Poté držadlo pevně utáhněte otáčením ve směru hodinových ručiček.

▲ UPOZORNĚNÍ:

- Používáte-li nástroj bez držadla, vždy na nástroj nainstalujte pryžovou krytku.
- Při nasazování pryžové krytky ji natlačte na nářadí vždy tak, aby byla její horní okrouhlá odsazená část umístěna v blízkosti přepínače.

- Kotoučové hroty
- Kužel kleštiny (3 mm, 6 mm, 8 mm, 1/4", 1/8")
- Matice kleštiny
- Klíč 13
- Sestava bočního držadla
- Originální akumulátor a nabíječka Makita

POZNÁMKA:

- Některé položky seznamu mohou být k zařízením přibaleny jako standardní příslušenství. Příbalené příslušenství se může v různých zemích lišit.

Makita Europe N.V. Jan-Baptist Vinkstraat 2,
3070 Kortenberg, Belgium

Makita Corporation 3-11-8, Sumiyoshi-cho,
Anjo, Aichi 446-8502 Japan

www.makita.com

885292D973
EN, UK, PL, RO,
DE, HU, SK, CS
20170927