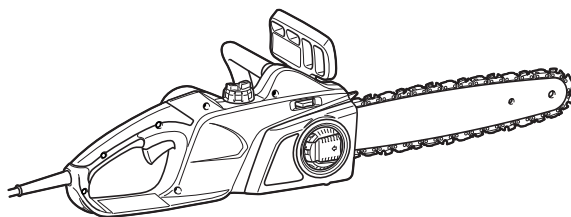




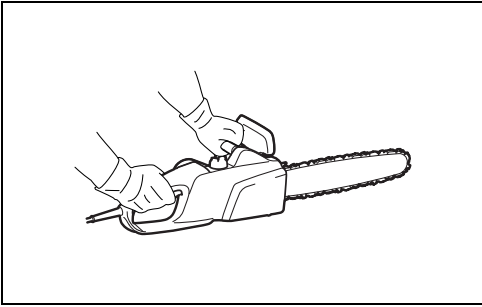
GB	Electric Chain Saw	Instruction manual
F	Tronçonneuse Électrique	Manuel d'instructions
D	Elektro-Motorsäge	Betriebsanleitung
I	Motosega elettrica	Istruzioni per l'uso
NL	Elektrische kettingzaag	Gebruiksaanwijzing
E	Electrosierra	Manual de instrucciones
P	Motosserra Elétrica	Manual de instruções
DK	Ei-kædesav	Brugsanvisning
GR	Ηλεκτρικό αλυσοπρίοο	Οδηγίες χρήσης
TR	Elektrikli Ağaç Kesim Motoru	Kullanım kılavuzu

UC3041A
UC3541A
UC4041A



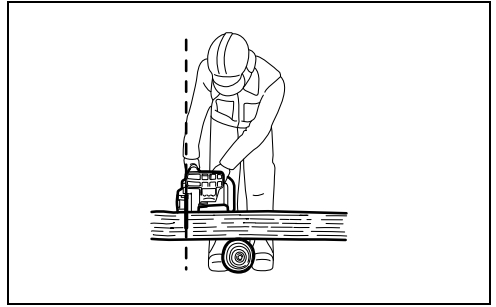
014315





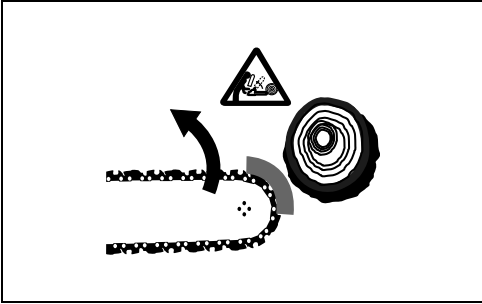
1

014316



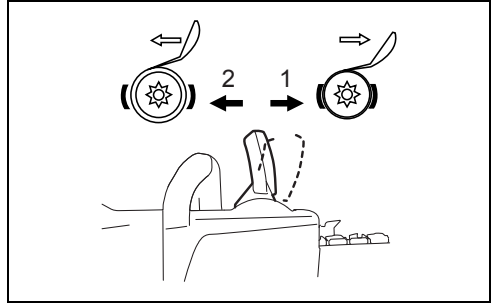
2

006909



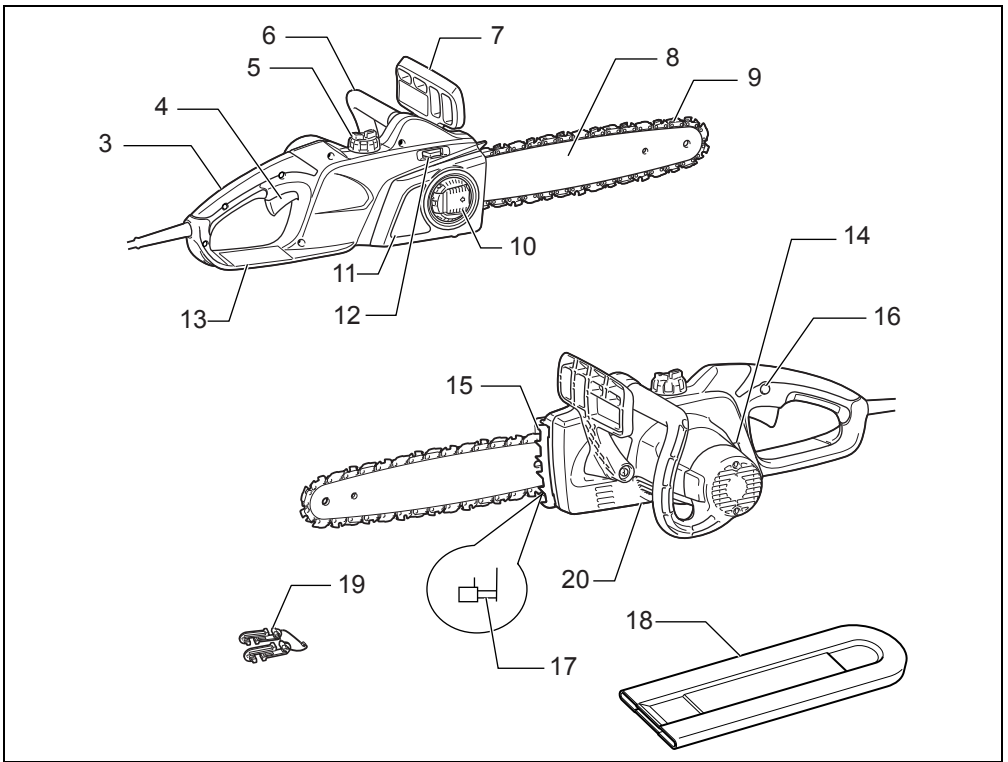
3

006919



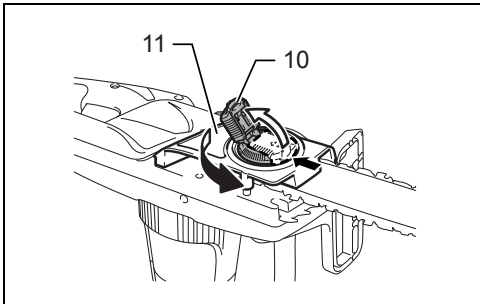
4

014317



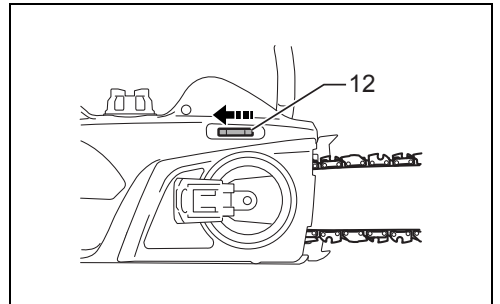
5

014318



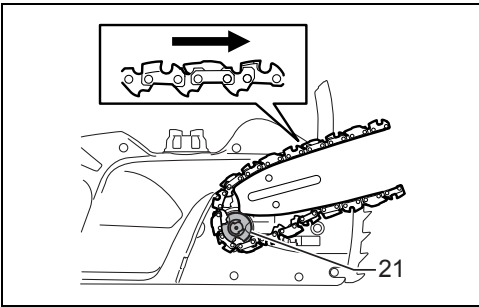
6

014342



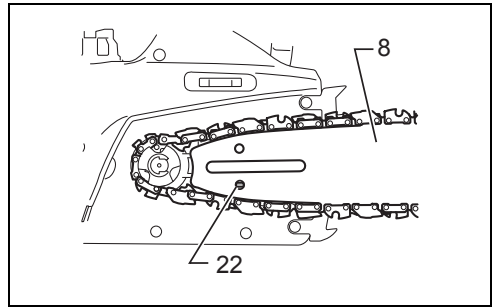
7

014324



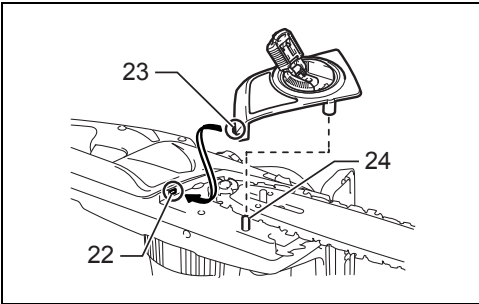
8

014323



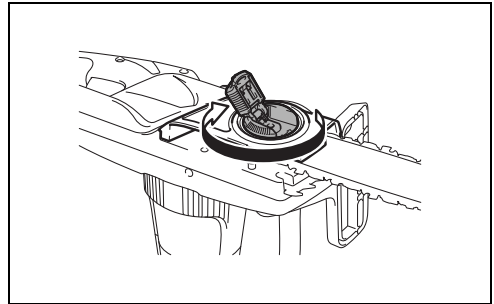
9

014422



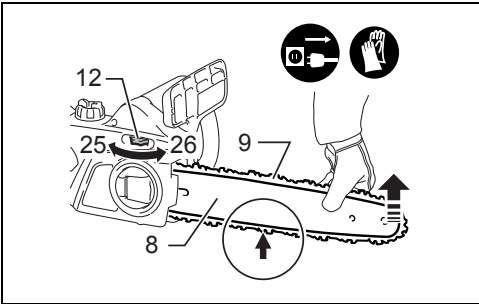
10

014325



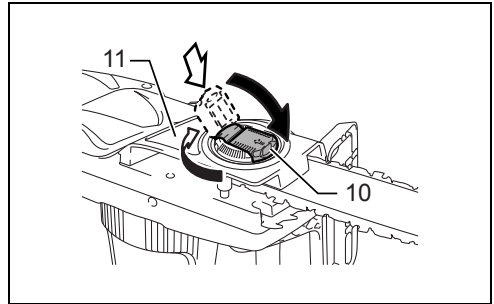
11

014326



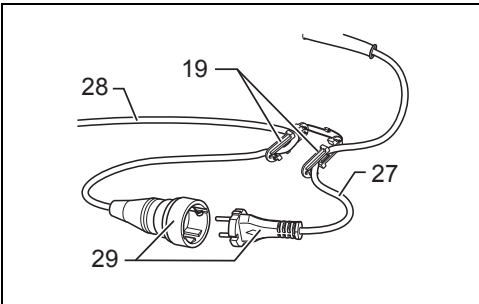
12

014678



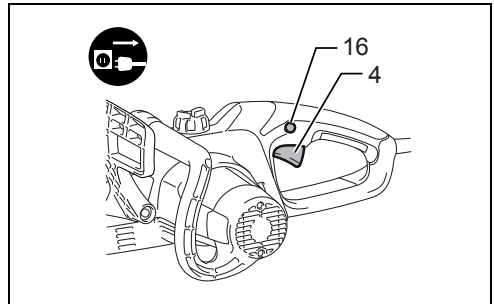
13

014343



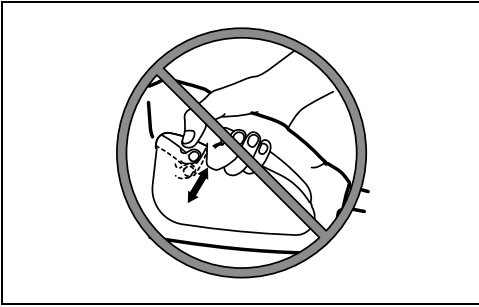
14

014359



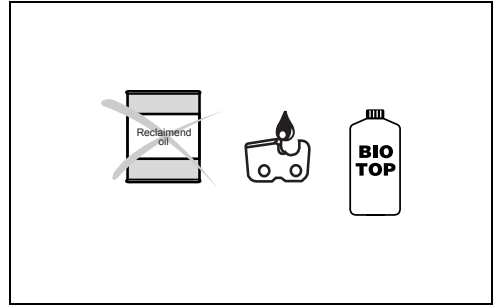
15

014320



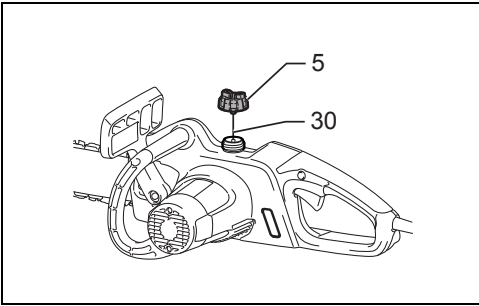
16

010373



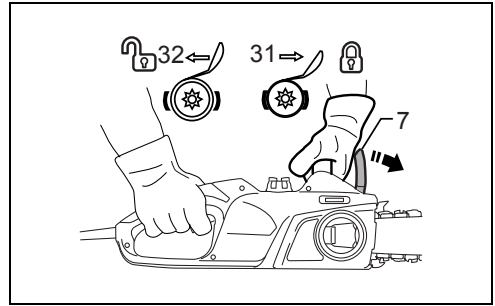
17

006921



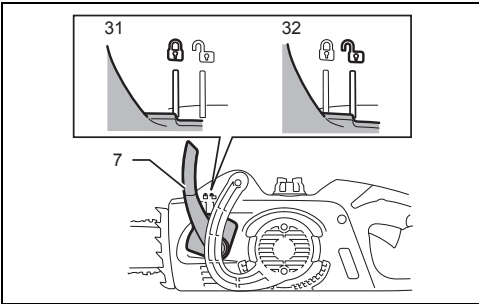
18

014330



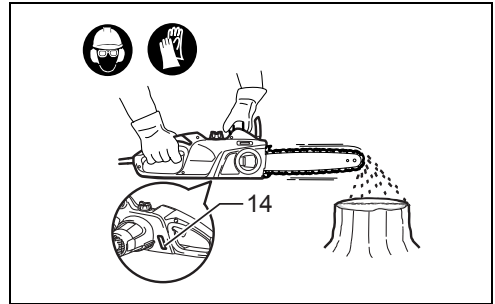
19

014331



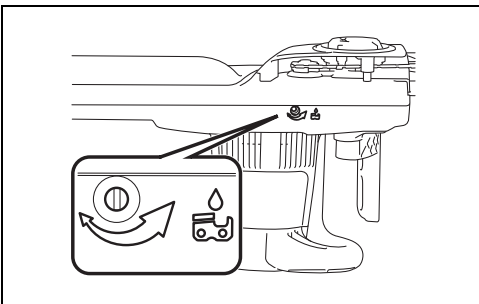
20

014438



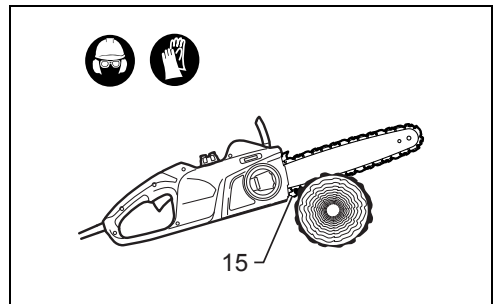
21

014332



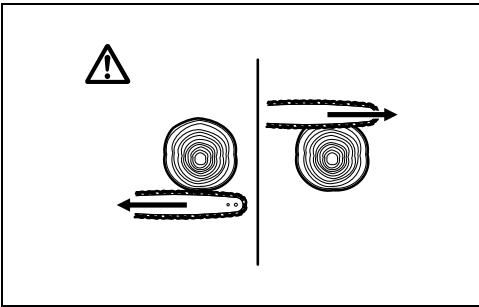
22

014341



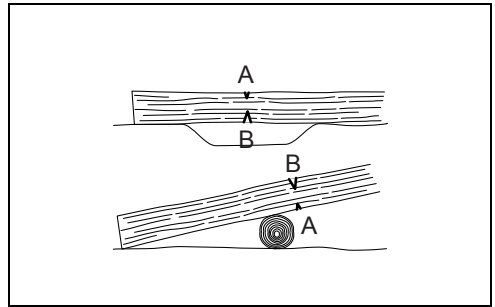
23

014333



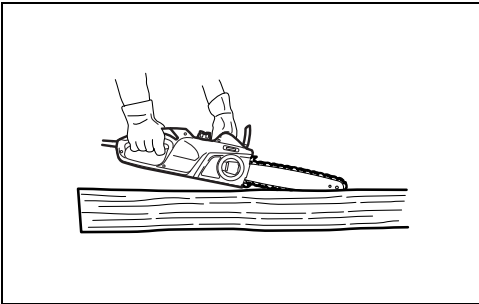
24

006914



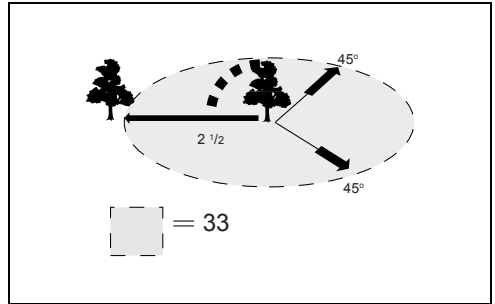
25

006915



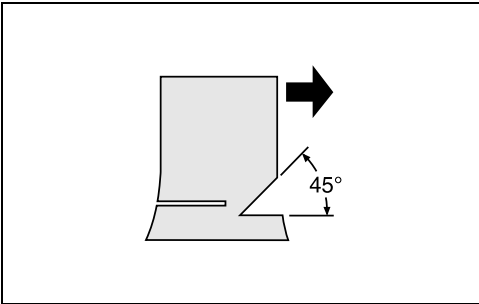
26

014334



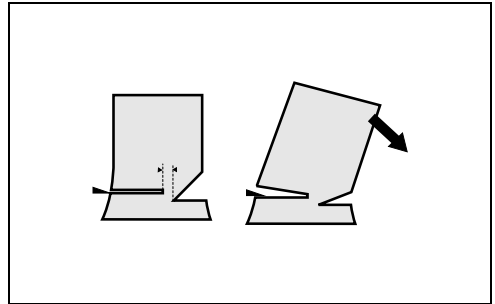
27

006917



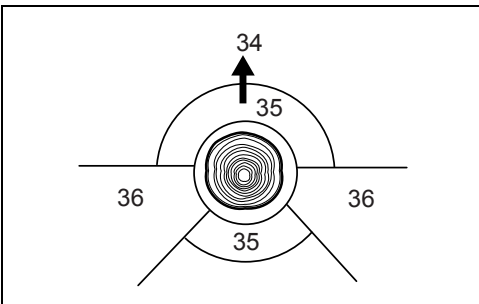
28

006918



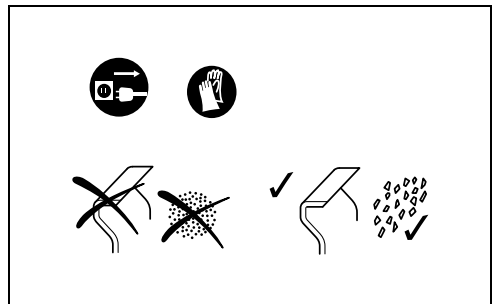
29

006923



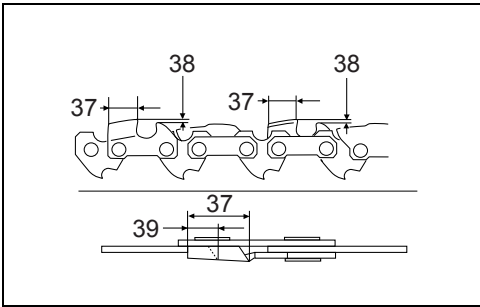
30

009202



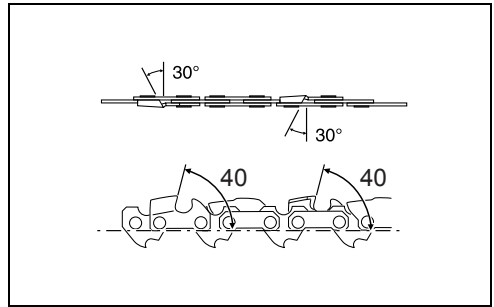
31

006924



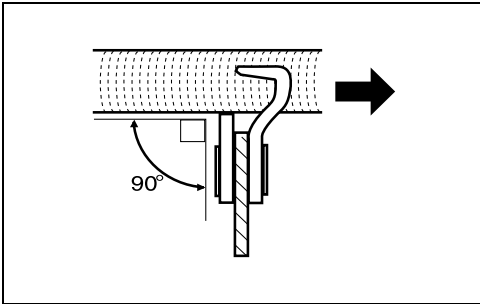
32

014335



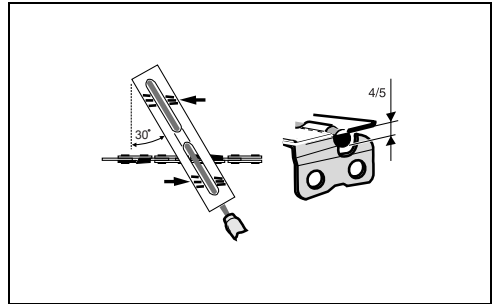
33

014338



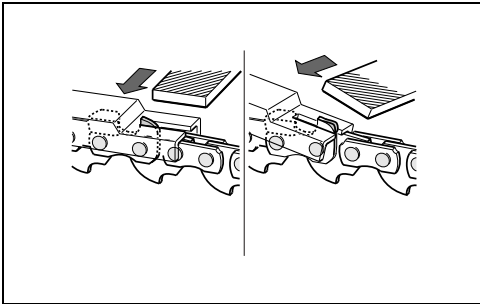
34

006927



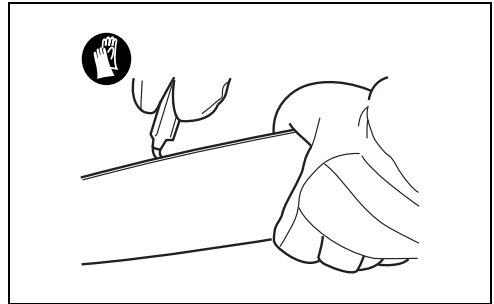
35

006928



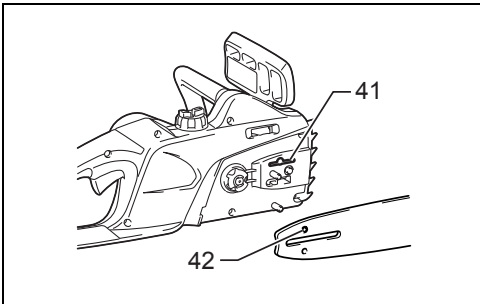
36

014344



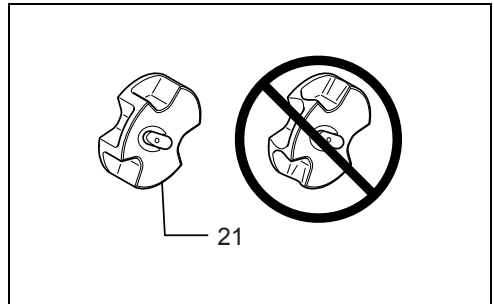
37

006930



38

014357



39

006932

ENGLISH (Original instructions)

Explanation of general view

- | | | |
|-------------------------|--|---|
| 1. Chain brake applied | 17. Chain catcher | 31. Lock |
| 2. Chain brake released | 18. Guide bar cover | 32. Unlock |
| 3. Rear handle | 19. Cord hook | 33. Felling area |
| 4. Switch trigger | 20. Adjusting screw for oil pump (at the bottom) | 34. Felling direction |
| 5. Oil filler cap | 21. Sprocket | 35. Danger zone |
| 6. Front handle | 22. Hole | 36. Escape route |
| 7. Front hand guard | 23. Hook | 37. Cutter length |
| 8. Guide bar | 24. Pin | 38. Distance between cutting edge and depth gauge |
| 9. Saw chain | 25. Loosen | 39. Minimum 3 mm |
| 10. Lever | 26. Tighten | 40. Side plate angle |
| 11. Sprocket cover | 27. Tool's cord | 41. Oil guide groove |
| 12. Adjusting dial | 28. Extension cord | 42. Oil feed hole |
| 13. Rear hand guard | 29. Plug and socket (the shape may differ from country to country) | |
| 14. Oil level sight | 30. Strap | |
| 15. Spike bumper | | |
| 16. Lock-off button | | |

SPECIFICATIONS


Model		UC3041A		UC3541A		UC4041A	
Max. chain speed		14.5 m/s (870 m/min)					
Standard guide bar	Bar length	300 mm		350 mm		400 mm	
	Cutting length	265 mm		325 mm		360 mm	
	Guide bar type	Sprocket nose bar					
Standard saw chain	Type	90PX	91PX	90PX	91PX	90PX	91PX
	Pitch	3/8"					
	No. of drive links	46		52		56	
Recommended guide bar length		300 - 400 mm					
Overall length (without guide bar)		455 mm					
Net weight		4.6 kg		4.7 kg		4.7 kg	
Extension cable (optional)		DIN 57282/HO 7RN -F L = 30 m max., 3 x 1.5 mm ²					


- Due to our continuing program of research and development, the specifications herein are subject to change without notice.
- Specifications may differ from country to country.
- Weight according to EPTA-Procedure 01/2003


Symbol


END218-7


The following show the symbols used for the equipment. Be sure that you understand their meaning before use.


 Read instruction manual and follow the warnings and safety instructions.


 Wear eye protection.


 Wear ear protection.


 DOUBLE INSULATION

 Caution: particular care and attention required!


 Caution: withdraw the mains plug immediately if the cable is damaged!


 Caution: kickback!

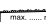
 Protect against rain and damp!

 Wear a helmet, goggles and ear protection!


 Wear safety gloves!

 Withdraw the mains plug!

 First aid


 Maximum permissible length of cut

 Direction of chain travel

 Chain oil

 Chain brake released

 Chain brake applied

 Prohibited!



..... Only for EU countries

Do not dispose of electric equipment together with household waste material! In observance of the European Directive, on Waste Electric and Electronic Equipment and its implementation in accordance with national law, electric equipment that have reached the end of their life must be collected separately and returned to an environmentally compatible recycling facility.

Intended use ENE085-1
The tool is intended for cutting lumbers and logs.

Power supply ENF002-2
The tool should be connected only to a power supply of the same voltage as indicated on the nameplate, and can only be operated on single-phase AC supply. They are double-insulated and can, therefore, also be used from sockets without earth wire.

For public low-voltage distribution systems of between 220 V and 250 V. ENF100-1
Switching operations of electric apparatus cause voltage fluctuations. The operation of this device under unfavorable mains conditions can have adverse effects to the operation of other equipment. With a mains impedance equal or less than 0.29 Ohms it can be presumed that there will be no negative effects. The mains socket used for this device must be protected with a fuse or protective circuit breaker having slow tripping characteristics.

General Power Tool Safety Warnings GEA010-1

⚠ WARNING Read all safety warnings and all instructions. Failure to follow the warnings and instructions may result in electric shock, fire and/or serious injury.

Save all warnings and instructions for future reference.

Chain saw safety warnings GEB037-8

1. **Keep all parts of the body away from the saw chain when the chain saw is operating. Before you start the chain saw, make sure the saw chain is not contacting anything.** A moment of inattention while operating chain saws may cause entanglement of your clothing or body with the saw chain.
2. **Always hold the chain saw with your right hand on the rear handle and your left hand on the front handle.** Holding the chain saw with a reversed hand configuration increases the risk of personal injury and should never be done.
3. **Hold the power tool by insulated gripping surfaces only, because the saw chain may contact hidden wiring or its own cord.** Saw chains contacting a "live" wire may make exposed metal parts of the power tool "live" and could give the operator an electric shock.
4. **Wear safety glasses and hearing protection.**
Further protective equipment for head, hands,

legs and feet is recommended. Adequate protective clothing will reduce personal injury by flying debris or accidental contact with the saw chain.

5. **Do not operate a chain saw in a tree.** Operation of a chain saw while up in a tree may result in personal injury.
6. **Always keep proper footing and operate the chain saw only when standing on fixed, secure and level surface.** Slippery or unstable surfaces such as ladders may cause a loss of balance or control of the chain saw.
7. **When cutting a limb that is under tension be alert for spring back.** When the tension in the wood fibres is released the spring loaded limb may strike the operator and/or throw the chain saw out of control.
8. **Use extreme caution when cutting brush and saplings.** The slender material may catch the saw chain and be whipped toward you or pull you off balance.
9. **Carry the chain saw by the front handle with the chain saw switched off and away from your body. When transporting or storing the chain saw always fit the guide bar cover.** Proper handling of the chain saw will reduce the likelihood of accidental contact with the moving saw chain.
10. **Follow instructions for lubricating, chain tensioning and changing accessories.** Improperly tensioned or lubricated chain may either break or increase the chance for kickback.
11. **Keep handles dry, clean, and free from oil and grease.** Greasy, oily handles are slippery causing loss of control.
12. **Cut wood only. Do not use chain saw for purposes not intended. For example: do not use chain saw for cutting plastic, masonry or non-wood building materials.** Use of the chain saw for operations different than intended could result in a hazardous situation.
13. **Causes and operator prevention of kickback:**
Kickback may occur when the nose or tip of the guide bar touches an object, or when the wood closes in and pinches the saw chain in the cut.
Tip contact in some cases may cause a sudden reverse reaction, kicking the guide bar up and back towards the operator.
Pinching the saw chain along the top of the guide bar may push the guide bar rapidly back towards the operator.
Either of these reactions may cause you to lose control of the saw which could result in serious personal injury. Do not rely exclusively upon the safety devices built into your saw. As a chain saw user, you should take several steps to keep your cutting jobs free from accident or injury.
Kickback is the result of tool misuse and/or incorrect operating procedures or conditions and can be avoided by taking proper precautions as given below:
 - **Maintain a firm grip, with thumbs and fingers encircling the chain saw handles, with both hands on the saw and position your body and arm to allow you to resist kickback forces.** Kickback forces can be controlled by the operator, if proper precautions are taken. Do not let go of the chain saw. (Fig. 1)

- **Do not overreach and do not cut above shoulder height.** This helps prevent unintended tip contact and enables better control of the chain saw in unexpected situations.
- **Only use replacement bars and chains specified by the manufacturer.** Incorrect replacement bars and chains may cause chain breakage and/or kickback.
- **Follow the manufacturer's sharpening and maintenance instructions for the saw chain.** Decreasing the depth gauge height can lead to increased kickback.

Protection against electric shock



The chain saw must not be used in wet weather or damp environments, as the electric motor is not waterproof.

1. Only plug the saw into sockets in tested electrical circuits. Check that the system voltage matches that on the rating plate. Ensure that a 16 A line fuse is fitted. Saws used in the open air must be connected to a residual current-operated circuit-breaker with an operating current no higher than 30 mA.



Should the connecting cable be damaged, withdraw the mains plug immediately.

ADDITIONAL SAFETY RULES

1. Read the instruction manual in order to familiarize yourself with operation of the chain saw.
2. Before using the chain saw for the first time, arrange to have instruction in its operation. If this is not possible, at least practice cutting round timber on a trestle before beginning work.
3. The chain saw must not be used by children or young persons under 18 years of age. Young persons over 16 years of age may be exempted from this restriction if they are undergoing training under the supervision of an expert.
4. Working with the chain saw requires a high level of concentration. Do not work with the saw if you are not feeling fit and well. Carry out all work calmly and carefully.
5. Never work under the influence of alcohol, drugs or medication.

Proper use

1. The chain saw is intended solely for cutting wood. Do not use it for example to cut plastic or porous concrete.
2. Only use the chain saw for operations described in this instruction manual. Do **not**, for example, use it to trim hedges or for similar purposes.
3. The chain saw must not be used for forestry work, i.e. for felling and limbing standing timber. The chain saw cable does not provide the operator with the mobility and safety required for such work.
4. The chain saw is not intended for commercial use.
5. Do not overload the chain saw.

Personal protective equipment

1. Clothing must be close-fitting, but must not obstruct mobility.
2. Wear the following protective clothing during work:
 - A tested safety helmet, if a hazard is presented by falling branches or similar;
 - A face mask or goggles;
 - Suitable ear protection (ear muffs, custom or mouldable ear plugs). Octave band analysis upon request.
 - Firm leather safety gloves;
 - Long trousers manufactured from strong fabric;
 - Protective dungarees of cut-resistant fabric;
 - Safety shoes or boots with non-slip soles, steel toes, and cut-resistant fabric lining;
 - A breathing mask, when carrying out work which produces dust (e.g. sawing dry wood).

Safe working practices

1. Before starting work, check that the chain saw is in proper working order and that its condition complies with the safety regulations. Check in particular that:
 - The chain brake is working properly;
 - The run-down brake is working properly;
 - The bar and the sprocket cover are fitted correctly;
 - The chain has been sharpened and tensioned in accordance with the regulations;
 - The mains cable and mains plug are undamaged;

Refer to the "CHECKS" section.

2. Always ensure in particular that the extension cable used is of adequate cross-section (see "SPECIFICATIONS"). When using a cable reel, wind the cable completely off the reel. When using the saw in the open air, ensure that the cable employed is intended for open-air use and is rated accordingly.
3. Keep the cord away from the cutting area and to position cord so that it will not be caught on branches, and the like, during cutting.
4. Do not operate the chain saw in the vicinity of flammable dust or gases, as the motor generates sparks and presents a **risk of explosion**.
5. Work only on firm ground and with a good footing. Pay particular attention to obstacles (e.g. the cable) in the working area. Take particular care where moisture, ice, snow, freshly cut wood or bark may make surfaces slippery. Do not stand on ladders or trees when using the saw.
6. Take particular care when working on sloping ground; rolling trunks and branches pose a potential hazard.
7. Never cut above shoulder height.
8. **Hold the chain saw with both hands when switching it on and using it.** Hold the rear handle with your right hand and the front handle with your left. Hold the handles firmly with your thumbs. The bar and the chain must not be in contact with any objects when the saw is switched on. **(Fig. 1)**
9. Clean the area to be cut of foreign objects such as sand, stones, nails, wire, etc. Foreign objects damage the bar and chain, and can lead to dangerous kickback.
10. Take particular care when cutting in the vicinity of wire fences. Do not cut into the fence, as the saw may kick back.
11. Do not cut into the ground.
12. Cut pieces of wood singly, not in bunches or stacks.
13. Avoid using the saw to cut thin branches and roots, as these can become entangled in the chain saw. Loss of balance presents a hazard.

14. Use a secure support (trestle) when cutting sawn timber.
15. Do not use the chain saw to prise off or brush away pieces of wood and other objects.
16. Guide the chain saw such that no part of your body is within the extended path of the saw chain (see figure). (Fig. 2)
17. When moving around between sawing operations, apply the chain brake in order to prevent the chain from being operated unintentionally. Hold the chain saw by the front handle when carrying it, and do not keep your finger on the switch.
18. Withdraw the mains plug when taking breaks or leaving the chain saw unattended. Leave the chain saw where it cannot present a hazard.

Kickback

1. Hazardous kickback may arise during work with the chain saw. Kickback arises when the tip of the bar (in particular the upper quarter) comes into contact with wood or another solid object. This causes the chainsaw to be deflected in the direction of the operator. (Fig. 3)
2. In order to avoid kickback, observe the following:
 - Never begin the cut with the tip of the bar.
 - Never use the tip of the bar for cutting. Take particular care when resuming cuts which have already been started.
 - Start the cut with the chain running.
 - Always sharpen the chain correctly. In particular, set the depth gauge to the correct height.
 - Never saw through several branches at a time.
 - When limbing, take care to prevent the bar from coming into contact with other branches.
 - When bucking, keep clear of adjacent trunks. Always observe the bar tip.
 - Use a trestle.

Safety features

1. Always check that the safety features are in working order before starting work. Do not use the chain saw if the safety features are not working properly.
- **Chain brake:**
The chain saw is fitted with a chain brake which brings the saw chain to a standstill within a fraction of a second. It is activated when the hand guard is pushed forwards. The saw chain then stops within 0.15 s, and the power supply to the motor is interrupted. (Fig. 4)
 - **Run-down brake:**
The chain saw is equipped with a run down brake which brings the saw chain to an immediate stop when the ON/OFF switch is released. This prevents the saw chain from running on when switched off, and thus presenting a hazard.
 - The **front and rear hand guards** protect the user against injury from pieces of wood which may be thrown backwards, or a broken saw chain.
 - The **trigger lockout** prevents the chain saw from being switched on accidentally.
 - The **chain catcher** protects the user against injury should the chain jump or break.

Transport and storage



When the chain saw is not in use or is being transported, withdraw the mains plug and fit the guide bar cover supplied with the saw. Never carry or transport the saw with the saw chain running.

1. Carry the chain saw by the front handle only, with the bar pointing backwards.
2. Keep the chain saw in a secure, dry and locked room out of the reach of children. Do not store the chain saw outdoors.

Maintenance

1. Withdraw the plug from the socket before carrying out any adjustments or maintenance.
2. Check the power cable regularly for damage to the insulation.
3. Clean the chain saw regularly.
4. Have any damage to the plastic housing repaired properly and immediately.
5. Do not use the saw if the switch trigger is not working properly. Have it properly repaired.
6. Under no circumstances should any modifications be made to the chain saw. Your safety is at risk.
7. Do not carry out maintenance or repair work other than that described in this instruction manual. Any other work must be carried out by authorized service centers.
8. Only use genuine replacement parts and accessories intended for your model of saw. The use of other parts increases the risk of accident.
9. We accept no responsibility for accidents or damage should non-approved bars, saw chains or other replacement parts or accessories be used.

First aid



Do not work alone. Always work within shouting distance of a second person.

1. Always keep a first-aid box to hand. Replace any items taken from it immediately.
2. Should you request assistance in the event of an accident, state the following:
 - Where did the accident happen?
 - What happened?
 - How many persons are injured?
 - What injuries do they have?
 - Who is reporting the accident?

NOTE:

Individuals with poor circulation who are exposed to excessive vibration may experience injury to blood vessels or the nervous system.

Vibration may cause the following symptoms to occur in the fingers, hands or wrists: "Falling asleep" (numbness), tingling, pain, stabbing sensation, alteration of skin colour or of the skin.

If any of these symptoms occur, see a physician!

SAVE THESE INSTRUCTIONS.



WARNING:

DO NOT let comfort or familiarity with product (gained from repeated use) replace strict adherence to safety rules for the subject product. MISUSE or failure to

follow the safety rules stated in this instruction manual may cause serious personal injury.

DESIGNATION OF PARTS (Fig. 5)

ASSEMBLY

CAUTION:

- Always be sure that the tool is switched off and unplugged before carrying out any work on the tool.

Removing or installing saw chain

CAUTION:

- Always wear gloves when installing or removing the saw chain.

To remove the saw chain, perform the following steps:

1. Press and fully open the lever until it stops. (Fig. 6)
2. Turn the lever counterclockwise to loosen the sprocket cover until it comes off.
3. Turn the adjusting dial to “-” direction to release the saw chain tension. (Fig. 7)
4. Remove the sprocket cover.
5. Remove the saw chain and guide bar from the chain saw.

To install the saw chain, perform the following steps:

6. Make sure the direction of the chain. The arrow mark on the chain shows the direction of the chain. (Fig. 8)
7. Fit in one end of the saw chain on the top of the guide bar and the other end of it around the sprocket.
8. Rest the guide bar in place on the chain saw.
9. Align the tension slide with the hole of the guide bar. (Fig. 9)
10. Holding the guide bar, and turn the adjusting dial to “+” direction to adjust the saw chain tension.
11. Place the sprocket cover so that the hooks fit alongside the holes and the pin fits its counterpart on the sprocket cover. (Fig. 10)
12. Turn the lever clockwise to secure the sprocket cover. (Fig. 11)
13. Press and return the lever to its original position.

Adjusting saw chain tension

The saw chain may become loose after many hours of use. From time to time check the saw chain tension before use.

1. Press and fully open the lever until it clicks. Turn it counterclockwise a little to loosen sprocket cover lightly. (Fig. 6)
2. Lift up the guide bar tip slightly. (Fig. 12)
3. Turn the adjusting dial to adjust the saw chain tension. Tighten the saw chain until the lower side of the saw chain fits in the guide bar rail (see circle).
4. Keep holding the guide bar lightly, tighten the sprocket cover after adjusting the chain tension. Make sure that the saw chain does not loose at lower side.
5. Press and return the lever to its original position. (Fig. 13)

Make sure the saw chain fits snugly against the lower side of the bar.

CAUTION:

- Do not tighten the saw chain too much. Excessively high tension of saw chain may cause breakage of saw

chain, wear of the guide bar and breakage of the adjusting dial.

- A chain which is too loose can jump off the bar, and therefore presents an accident risk.
- Carry out the procedure of installing or removing saw chain in a clean place free from sawdust and the like.

Engaging extension cord

CAUTION:

- Make sure that the extension cord is unplugged to the mains outlet. (Fig. 14)

When engaging the extension cord, secure it to the chain saw's cord with the cord hook.

Attach the cord hook about 100 - 200 mm from the extension cord connector. This helps prevent unintentional disconnection.

OPERATION

Switch action (Fig. 15)

CAUTION:

- Always be sure that the tool is switched off and unplugged before checking function on the switch trigger.
- Before plugging in the tool, always check to see that the switch trigger actuates properly and returns to the “OFF” position when released.

NOTE:

- Do not turn on and off too often within a short time (five seconds or less). The temperature inside the tool will rise and may cause the tool damage. The time varies by atmosphere temperature and other conditions. (Fig. 16)

To prevent the switch trigger from being accidentally pulled, a lock-off button is provided.

To start the tool, depress the lock-off button and pull the switch trigger. Release the switch trigger to stop.

Lubrication

CAUTION:

- Always be sure that the tool is switched off and unplugged before lubricating the saw chain.

Lubricate the saw chain and bar using biologically degradable saw chain oil with an adhesion agent. The adhesion agent in the saw chain oil prevents the oil from being thrown off the saw excessively quickly. Mineral oils must not be used, as they are harmful to the environment. (Fig. 17)

CAUTION:

- Prevent the oil from coming into contact with the skin and eyes. Contact with the eyes causes irritation. In the event of eye contact, flush the affected eye immediately with clear water, then consult a doctor at once.
- Never use waste oil. Waste oil contains carcinogenic substances. The contaminants in waste oil cause accelerated wear of the oil pump, the bar and the chain. Waste oil is harmful to the environment.
- When filling the chain saw with chain oil for the first time, or refilling the tank after it has been completely

emptied, add oil up to the bottom edge of the filler neck. The oil delivery may otherwise be impaired.

To fill the oil, perform the following steps: **(Fig. 18)**

1. Clean the area around the oil filler cap thoroughly to prevent any dirt from entering the oil tank.
2. Unscrew the oil filler cap and add oil up to the lower edge of the filler neck.
3. Screw the oil filler cap firmly back in place.
4. Wipe away any spilt chain oil carefully.

NOTE:

- When the chain saw is used for the first time, it may take up to two minutes for the saw chain oil to begin its lubricating effect upon the saw mechanism. Run the saw without load until it does so (see "CHECKS").

CHECKS

Before starting work, carry out the following checks:

Checking the chain tension

⚠ WARNING:

- Always withdraw the mains plug before checking the chain tension, and wear safety gloves.
- Make sure the saw chain fits snugly against the lower side of the bar (see circle). **(Fig. 12)**
- Check the chain tension frequently, as new chains are subject to elongation.
- Excessively high tension of saw chain may cause breakage of saw chain, wear of the guide bar and breakage of the adjusting dial.
- A chain which is too loose can jump off the bar, and therefore presents an accident risk.
- If the chain is too loose: Refer to the section titled "Adjusting saw chain tension" and adjust the saw chain tension again.

Checking the switch action

⚠ CAUTION:

Before plugging in the tool, always check to see that the switch trigger actuates properly and returns to the "OFF" position when released.

To prevent the switch trigger from being accidentally pulled, a lock-off button is provided.

To start the tool, depress the lock-off button and pull the switch trigger. Release the switch trigger to stop.

Do not pull the switch trigger hard without depressing the lock-off button. This may cause switch breakage.

Checking the chain brake

NOTE:

- If the chain saw fails to start, check whether the chain brake is released. To release the chain brake, pull the hand guard backwards firmly until you feel it engage. **(Fig. 19 & 20)**
- Check the chain brake as follows:
1. Hold the chain saw with both hands when switching it on. Hold the rear handle with your right hand, the front handle with your left. Make sure that the bar and the chain do not contact with any object.
 2. First press the lock-off button, then the switch trigger. The saw chain starts immediately.

3. Press the front hand guard forwards using the back of your hand. Make sure that the saw chain comes to an immediate standstill.

⚠ CAUTION:

- If the saw chain does not stop immediately, do not use the saw under any circumstances. Consult Makita authorized service centers.

Checking the run-down brake

Switch on the chain saw.

Release the switch trigger completely. Make sure the saw chain comes to a standstill within a second.

⚠ CAUTION:

- If the saw chain does not stop immediately, do not use the saw under any circumstances. Consult Makita authorized service centers.

Checking the chain oiler

Before starting work, check the oil level in the tank, and the oil delivery.

The oil level can be seen in the oil level sight shown in the figure. **(Fig. 21)**

Check the oil delivery as follows:

Start the chain saw.

With the saw running, hold the saw chain approximately 15 cm above a tree trunk or the ground. If lubrication is adequate, the oil spray will produce a light oil trace. Observe the wind direction, and do not expose yourself to the oil spray unnecessarily.

⚠ CAUTION:

- If an oil trace is not formed, do not use the saw. The lifespan of the chain will otherwise be reduced. Check the oil level. Clean the oil feed groove and the oil feed hole in the bar (refer to "MAINTENANCE").

Adjusting the chain lubrication (Fig. 22)

You can adjust the oil pump feed rate with the adjusting screw.

⚠ CAUTION:

- Always use a front handle and rear handle and firmly hold the tool by both front handle and rear handle during operations.
- Always secure the timber to be cut, otherwise the cut fragments may cause personal injury.

WORKING WITH THE CHAIN SAW

Bucking (Fig. 23)

For bucking cuts, rest the spike bumper shown in the figure on the wood to be cut.

With the saw chain running, saw into the wood, using the rear handle to raise the saw and the front one to guide it. Use the spike bumper as a pivot.

Continue the cut by applying slight pressure to the front handle, easing the saw back slightly. Move the spike bumper further down the timber and raise the front handle again.

When making several cuts, switch the chain saw off between cuts.

CAUTION:

- If the upper edge of the bar is used for cutting, the chain saw may be deflected in your direction if the chain becomes trapped. For this reason, cut with the lower edge, so that the saw will be deflected away from your body. (Fig. 24)

Cut wood under tension on the pressure side (A) first. Then make the final cut on the tension side (B). This prevents the bar from becoming trapped. (Fig. 25)

Limbing

CAUTION:

- Limbing may only be performed by trained persons. A hazard is presented by the risk of kick-back.
- When limbing, support the chain saw on the trunk if possible. Do not cut with the tip of the bar, as this presents a risk of kickback.
- Pay particular attention to branches under tension. Do not cut unsupported branches from below.
- Do not stand on the felled trunk when limbing.

Burrowing and parallel-to-grain cuts

CAUTION:

- Burrowing and parallel-to-grain cuts may only be carried out by persons with special training. The possibility of kickback presents a risk of injury.
- Perform parallel-to-grain cuts at as shallow an angle as possible. Carry out the cut as carefully as possible, as the spike bumper cannot be used. (Fig. 26)

Felling

CAUTION:

- Felling work may only be performed by trained persons. The work is hazardous.

Observe local regulations if you wish to fell a tree. (Fig. 27)

- Before starting felling work, ensure that:
 - (1) Only persons involved in the felling operation are in the vicinity;
 - (2) Any person involved has an unhindered path of retreat through a range of approximately 45° either side of the felling axis. Consider the additional risk of tripping over electrical cables;
 - (3) The base of the trunk is free of foreign objects, roots and ranches;
 - (4) No persons or objects are present over a distance of 2 1/2 tree lengths in the direction in which the tree will fall.
- Consider the following with respect to each tree:
 - Direction of lean;
 - Loose or dry branches;
 - Height of the tree;
 - Natural overhang;
 - Whether or not the tree is rotten.
- Consider the wind speed and direction. Do not carry out felling work if the wind is gusting strongly.
- Trimming of root swellings: Begin with the largest swellings. Make the vertical cut first, then the horizontal cut.
- Cut a scarf: The scarf determines the direction in which the tree will fall, and guides it. It is made on the side towards which the tree is to fall. Cut the scarf as close

to the ground as possible. First make the horizontal cut to a depth of 1/5 - 1/3 of the trunk diameter. Do not make the scarf too large. Then make the diagonal cut. (Fig. 28)

- Cut any corrections to the scarf across its entire width.
- Make the back cut a little higher than the base cut of the scarf. The back cut must be exactly horizontal. Leave approximately 1/10 of the trunk diameter between the back cut and the scarf. The wood fibers in the uncut trunk portion act as a hinge. Do not cut right through the fibers under any circumstances, as the tree will otherwise fall unchecked. Insert wedges into the back cut in time. (Fig. 29)
- Only plastic or aluminum wedges may be used to keep the back cut open. The use of iron wedges is prohibited.
- Stand to the side of the falling tree. Keep an area clear to the rear of the falling tree up to an angle of 45° either side of the tree axis (refer to the “felling area” figure). Pay attention to falling branches.
- An escape path should be planned and cleared as necessary before cuts are started. The escape path should extend back and diagonally to the rear of the expected line of fall as illustrated in figure. (Fig. 30)

MAINTENANCE

CAUTION:

- Always be sure that the tool is switched off and unplugged before attempting to perform inspection or maintenance.
- Always wear gloves when performing any inspection or maintenance.
- Never use gasoline, benzine, thinner, alcohol or the like. Discoloration, deformation or cracks may result.

Carry out the maintenance work described below at regular intervals. Warranty claims will be accepted only if these operations have been performed regularly and properly.

Only maintenance work described in this instruction manual may be performed by the user. Any other work must be carried out by MAKITA authorized service centers.

Cleaning the chain saw

Clean the saw regularly with a clean rag. The handles, in particular, must be kept free of oil.

Checking the plastic housing

Carry out regular visual inspections of all parts of the housing. If any parts are damaged, have them repaired immediately and properly in MAKITA authorized service centers.

Sharpening the saw chain

CAUTION:

- Always withdraw the mains plug and wear safety gloves when performing work on the saw chain.

Sharpen the saw chain when: (Fig. 31)

- Mealy sawdust is produced when damp wood is cut;
- The chain penetrates the wood with difficulty, even when heavy pressure is applied;

- The cutting edge is obviously damaged;
- The saw pulls to the left or right in the wood. The reason for this behavior is uneven sharpening of the saw chain, or damage to one side only.

Sharpen the saw chain frequently, but remove only a little material each time.

Two or three strokes with a file are usually sufficient for routine reshaping. When the saw chain has been reshaped several times, have it sharpened in MAKITA authorized service center.

Sharpening criteria:

- All cutter length must be equal. Cutters of differing length prevent the chain from running smoothly, and may cause the chain to break.
- Do not sharpen the chain once a minimum cutter length of 3 mm has been reached. A new chain must then be fitted.
- The chip thickness is determined by the distance between the depth gauge (round nose) and the cutting edge.
- The best cutting results are obtained with following distance between cutting edge and depth gauge.
 - Chain blade 90PX: 0.5 mm
 - Chain blade 91PX: 0.65 mm (Fig. 32)

⚠ WARNING:

- An excessive distance increases the risk of kick-back.
- The sharpening angle of 30° must be the same on all cutters. Differences in angle cause the chain to run roughly and unevenly, accelerate wear, and lead to chain breaks.
- The side plate angle of the cutter is determined by the depth of penetration of the round file. If the specified file is used properly, the correct side plate angle is produced automatically.
- Side plate angle for each saw chain are as follows:
 - Chain blade 90PX: 75°
 - Chain blade 91PX: 80° (Fig. 33)

File and file guiding

- Use a special round file (optional accessory) for saw chains to sharpen the chain. Normal round files are not suitable.
- Diameter of the round file for each saw chain is as follows:
 - Chain blade 90PX: 4.5 mm
 - Chain blade 91PX: 4.0 mm
- The file should only engage the cutter on the forward stroke. Lift the file off the cutter on the return stroke.
- Sharpen the shortest cutter first. Then the length of this shortest cutter becomes the standard for all other cutters on the saw chain.
- Guide the file as shown in the figure. (Fig. 34)
- The file can be guided more easily if a file holder (optional accessory) is employed. The file holder has markings for the correct sharpening angle of 30° (align the markings parallel to the saw chain) and limits the depth of penetration (to 4/5 of the file diameter). (Fig. 35)
- After sharpening the chain, check the height of the depth gauge using the chain gauge tool (optional accessory). (Fig. 36)
- Remove any projecting material, however small, with a special flat file (optional accessory).

- Round off the front of the depth gauge again.

Cleaning the guide bar and lubricating the return sprocket

⚠ CAUTION:

- Always wear safety gloves for this task. Burrs present a risk of injury.

Check the running surfaces of the bar regularly for damage. Clean using a suitable tool, and remove burrs if necessary. (Fig. 37)

If the chain saw receives frequent use, lubricate the return sprocket bearing at least once a week. Before adding new fresh grease, carefully clean the 2 mm hole on the tip of the guide bar, then force a small quantity of multi-purpose grease (optional accessory) into the hole.

Cleaning the oil guide (Fig. 38)

- Clean the oil guide groove and the oil feed hole in the bar at regular intervals.

New saw chains

Use two or three saw chains alternately, so that the saw chain, sprocket and running surfaces of the bar wear evenly.

Turn the bar over when changing the chain so that the bar groove wears evenly.

⚠ CAUTION:

- Only use chains and bars which are approved for this model of saw (refer to "SPECIFICATIONS").

Before fitting a new saw chain, check the condition of the sprocket. (Fig. 39)

⚠ CAUTION:

- A worn sprocket damages a new saw chain. Have the sprocket replaced in this case.

Always fit a new locking ring when replacing the sprocket.

Maintaining the chain and run-down brakes

The braking systems are very important safety features. Like any other component of the chain saw, they are subject to a certain degree of wear. They must be inspected regularly by MAKITA authorized service centers. This measure is for your own safety.

Storing tool

Biologically degradable saw chain oil can only be kept for a limited period. Beyond two years after manufacture, biological oils begin to acquire an adhesive quality, and cause damage to the oil pump and components in the lubricating system.

- Before taking the chain saw out of service for a longer period, empty the oil tank and fill it with a small quantity of engine oil (SAE 30).
- Run the chain saw briefly to flush all residue of the biological oil out of the tank, lubricating system and saw mechanism.

NOTE:

- When the chain saw is taken out of service, small quantities of chain oil leaks from it for some time afterwards. This is normal, and is not a sign of a fault. Store the chain saw on a suitable surface.

Before returning the chain saw to service, fill up with fresh BIOTOP saw chain oil.

To maintain product SAFETY and RELIABILITY, repairs, carbon brush inspection and replacement, any other maintenance or adjustment should be performed by Makita Authorized Service Centers, always using Makita replacement parts.

TROUBLE SHOOTING

Before asking for repairs, conduct your own inspection first. If you find a problem that is not explained in the manual, do not attempt to dismantle the tool. Instead, ask Makita Authorized Service Centers.

Malfunction status	Possible cause	Remedy
The chain saw does not start.	No power supply.	Connect to the power supply. Check the power supply.
	Cable defective.	Stop using the tool immediately, and ask your local authorized service center.
	Tool malfunction.	Stop using the tool immediately, and ask your local authorized service center.
Chain does not run.	Chain brake is engaged.	Release chain brake.
Insufficient performance.	Carbon brush worn down.	Ask your local authorized service center for repair.
No oil on the chain.	Oil tank is empty.	Fill the oil tank.
	Oil guide groove is dirty.	Clean the groove.
	Oil pump adjusting screw incorrectly adjusted.	Adjust the oil pump feed rate.
Chain does not stop even the chain brake is engaged.	Brake band worn down.	Stop using the tool immediately, and ask your local authorized service center.
The tool vibrates abnormally.	Loose guide bar or saw chain.	Adjust the guide bar and saw chain tension.
	Tool malfunction.	Stop using the tool immediately, and ask your local authorized service center.

014314

OPTIONAL ACCESSORIES

CAUTION:

- These accessories or attachments are recommended for use with your Makita tool specified in this manual. The use of any other accessories or attachments might present a risk of injury to persons. Only use accessory or attachment for its stated purpose.

If you need any assistance for more details regarding these accessories, ask your local Makita Service Center.

- Saw chain
- Guide bar cover
- Guide bar
- Chain gauge
- Round file 4.0 mm
- Round file 4.5 mm
- Flat file
- File holder with 4.0 mm file
- File holder with 4.5 mm file
- File handle
- Saw chain oil
- Multi-purpose grease
- Grease gun

NOTE:

- Some items in the list may be included in the tool package as standard accessories. They may differ from country to country.

Noise

ENG905-1

The typical A-weighted noise level determined according to EN60745:

- Sound pressure level (L_{pA}): 90.3 dB (A)
- Sound power level (L_{WA}): 101.3 dB (A)
- Uncertainty (K): 2.5 dB (A)

Wear ear protection.

Vibration

ENG900-1

The vibration total value (tri-axial vector sum) determined according to EN60745:

- Work mode: cutting wood
- Vibration emission (a_h): 4.7 m/s²
- Uncertainty (K): 1.5 m/s²

ENG901-1

- The declared vibration emission value has been measured in accordance with the standard test method and may be used for comparing one tool with another.
- The declared vibration emission value may also be used in a preliminary assessment of exposure.

WARNING:

- The vibration emission during actual use of the power tool can differ from the declared emission value depending on the ways in which the tool is used.
- Be sure to identify safety measures to protect the operator that are based on an estimation of exposure in the actual conditions of use (taking account of all parts of the operating cycle such as the times when the tool is switched off and when it is running idle in addition to the trigger time).

For European countries only

ENH021-8

EC Declaration of Conformity

Makita declares that the following Machine(s):

Designation of Machine:

Chain Saw

Model No./Type: UC3041A, UC3541A, UC4041A

Specifications: see "SPECIFICATIONS" table.

Conforms to the following European Directives:

2000/14/EC, 2006/42/EC

They are manufactured in accordance with the following Standard or standardized documents:

EN60745

The Technical file in accordance with 2006/42/EC is available from:

Makita, Jan-Baptist Vinkstraat 2, 3070, Belgium

The conformity assessment procedure required by Directive 2000/14/EC was in Accordance with annex V.

Measured Sound Power Level: 102.2 dB (A)

Guaranteed Sound Power Level: 104 dB (A)

26. 4. 2013



Yasushi Fukaya
Director

Makita, Jan-Baptist Vinkstraat 2, 3070, Belgium

NEDERLANDS (Originele instructies)

Verklaring van het onderdelenoverzicht

- | | | |
|--|---|--|
| 1. Kettingrem vastgezet | 16. Uit-vergrendelknop | 30. Draagriem |
| 2. Kettingrem losgezet | 17. Kettingvanger | 31. Vergrendelen |
| 3. Achterhandgreep | 18. Schede | 32. Ontgrendelen |
| 4. Aan-uitschakelaar | 19. Snoerhaak | 33. Werkgebied bij omzagen |
| 5. Olivuldop | 20. Stelschroef voor oliepomp
(op de onderkant) | 34. Valrichting |
| 6. Voorhandgreep | 21. Kettingwiel | 35. Gevarezone |
| 7. Beschermkap van voorhandgreep | 22. Opening | 36. Vluichtroute |
| 8. Zaagblad | 23. Haak | 37. Lengte van mes |
| 9. Zaagketting | 24. Pen | 38. Afstand tussen punt van mes en
dieptevoeler |
| 10. Hendel | 25. Losdraaien | 39. Minimaal 3 mm |
| 11. Afdekking van kettingwiel | 26. Vastdraaien | 40. Hoek van zijplaat |
| 12. Stelknop | 27. Netsnoer van gereedschap | 41. Olietoevoergroef |
| 13. Beschermkap van
achterhandgreep | 28. Verlengsnoer | 42. Olietoevoergat |
| 14. Oliepeilglas | 29. Stekker en stopcontact (de vorm
kan van land tot land verschillen) | |
| 15. Getande kam | | |

TECHNISCHE GEGEVENS


Model		UC3041A		UC3541A		UC4041A	
Max. kettingsnelheid		14,5 m/s (870 m/min)					
Standaardzaagblad	Lengte van zaagblad	300 mm		350 mm		400 mm	
	Zaaglengte	265 mm		325 mm		360 mm	
	Type zaagblad	Kettingwielzaagblad					
Standaardzaagketting	Type	90PX	91PX	90PX	91PX	90PX	91PX
	Steek	3/8"					
	Aantal schakels	46		52		56	
Aanbevolen zaagbladlengte		300 - 400 mm					
Totale lengte (zonder zaagblad)		455 mm					
Nettogewicht		4,6 kg		4,7 kg		4,7 kg	
Verlengsnoer (los verkrijgbaar)		DIN 57282/HO 7RN -F L = 30 m max., 3 x 1,5 mm ²					


- Als gevolg van ons doorlopende onderzoeks- en ontwikkelingsprogramma, zijn de technische gegevens van dit gereedschap onderhevig aan veranderingen zonder voorafgaande kennisgeving.
- De technische gegevens kunnen van land tot land verschillen.
- Gewicht volgens EPTA-procedure 01/2003


Symbool


END218-7


Hieronder staan de symbolen die voor het gereedschap worden gebruikt. Zorg ervoor dat u weet wat ze betekenen alvorens de accu te gebruiken.


 Lees de gebruiksaanwijzing en volg de waarschuwingen en veiligheidsinstructies op.


 Draag oogbescherming.


 Draag gehoorbescherming.


 DUBBEL GEÏSOLEERD


 Let op: bijzondere voorzichtigheid en aandacht vereist!


 Let op: trek de stekker onmiddellijk uit het stopcontact als het netsnoer beschadigd is!

 Let op: terugslag!


 Bescherm tegen regen en vocht!

 Draag een veiligheidshelm, veiligheidsbril en oorbescherming!


 Draag veiligheidshandschoenen!


 Trek de stekker uit het stopcontact!

 EHBO


 Maximaal toelaatbare lengte van zaagsnede


 Draairichting van de ketting

 Kettingolie

 Kettingrem losgezet

  Kettingrem vastgezet

 Verboden!

 Alleen voor EU-landen
Geef elektrisch gereedschap niet met het huisvuil mee!
Volgens de Europese richtlijn inzake oude elektrische en elektronische apparaten en de toepassing daarvan binnen de nationale wetgeving, dient gebruikt elektrisch gereedschap gescheiden te worden ingezameld en te worden afgevoerd naar een recycle bedrijf dat voldoet aan de geldende milieueisen.


Gebruiksdoelinden ENE085-1
Het gereedschap is bedoeld om stammen te zagen.

Voeding ENF002-2
Het gereedschap mag uitsluitend worden aangesloten op een voeding met dezelfde spanning als aangegeven op het typeplaatje en werkt alleen op enkele-fase wisselstroom. Het gereedschap is dubbel geïsoleerd en mag derhalve ook op een niet-geaard stopcontact worden aangesloten.

Voor het openbare laagspanningsnet van 220 V t/m 250 V. ENF100-1

Het in- en uitschakelen van elektrische apparatuur veroorzaakt spanningsfluctuaties. Het gebruik van dit gereedschap terwijl het elektriciteitsnet in een slechte toestand verkeert, kan de werking van andere apparatuur nadelig beïnvloeden. Als de netweerstand lager is dan 0,29 ohm, mag u ervan uitgaan dat geen nadelige effecten optreden. Het stopcontact waarop dit gereedschap is aangesloten moet zijn beveiligd met een zekering of veiligheidsstroomonderbreker met trage uitschakeling.

Algemene veiligheidswaarschuwingen voor elektrisch gereedschap GEA010-1

 **WAARSCHUWING** Lees alle veiligheidswaarschuwingen en alle instructies. Het niet volgen van de waarschuwingen en instructies kan leiden tot elektrische schokken, brand en/of ernstig letsel.

Bewaar alle waarschuwingen en instructies om in de toekomst te kunnen raadplegen.

Veiligheidswaarschuwingen specifiek voor kettingzagen GEB037-8

1. **Houd alle lichaamsdelen uit de buurt van de zaagketting terwijl de kettingzaag in bedrijf is. Alvorens de kettingzaag te starten, controleert u dat de zaagketting niet raakt.** In slechts een kort moment van onoplettendheid tijdens het gebruik van de kettingzaag kan uw kleding of lichaam in aanraking komen met de zaagketting.

2. **Houd de kettingzaag altijd vast met uw rechterhand aan de achterhandgreep en uw linkerhand aan de voorhandgreep.** Houd de kettingzaag nooit vast met uw handen verwisseld, omdat dan de kans op persoonlijk letsel groter is.
3. **Houd het elektrisch gereedschap alleen vast bij het geïsoleerde oppervlak omdat de kettingzaag met verborgen bedrading of zijn eigen snoer in aanraking kan komen.** Wanneer de kettingzaag in aanraking komt met onder spanning staande draden, zullen de niet-geïsoleerde metalen delen van het gereedschap onder spanning komen te staan zodat de gebruiker een elektrische schok kan krijgen.
4. **Draag een veiligheidsbril en gehoorbescherming. Verdere veiligheidsmiddelen voor hoofd, handen, benen en voeten worden aanbevolen.** Afdoende beschermende kleding verkleint de kans op persoonlijk letsel als gevolg van rondvliegend afval of het per ongeluk aanraken van de zaagketting.
5. **Werk niet met de kettingzaag in een boom.** Het gebruik van de kettingzaag terwijl u in een boom zit, vergroot de kans op persoonlijk letsel.
6. **Zorg altijd voor een stevige stand en bedien de kettingzaag alleen terwijl u op een vaste, stabiele en horizontale ondergrond staat.** Een gladde of instabiele ondergrond, zoals een ladder, kan leiden tot verlies van evenwicht of controle over de kettingzaag.
7. **Bij het afzagen van een tak die onder spanning staat, let u goed op eventuele terugslag.** Wanneer de spanning in de houtvezels vrij komt, kan de onder spanning staande tak de gebruiker een tik geven of ertoe leiden dat hij/zij de controle over de kettingzaag verliest.
8. **Wees uiterst voorzichtig bij het zagen van struiken en jonge boompjes.** Het dunne materiaal kan zich vasthaken aan de zaagketting en naar u toe geslingerd worden of u uit balans brengen.
9. **Draag de kettingzaag aan de voorhandgreep terwijl deze uitgeschakeld is en van uw lichaam af gekeerd is.** Bij het transporteren of opbergen van de kettingzaag moet altijd de schede om het zaagblad worden gedaan. Een juiste behandeling van de kettingzaag verkleint de kans op het per ongeluk aanraken van de bewegende zaagketting.
10. **Volg de instructies voor het smeren, kettingspannen en verwisselen van accessoires.** Een verkeerd gespannen of gesmeerde ketting kan breken of verhoogt de kans op terugslag.
11. **Houd de handgrepen droog, schoon en vrij van olie en vetten.** Met vet of olie bevulde handgrepen zijn glad en leiden tot verlies van controle over de kettingzaag.
12. **Zaag uitsluitend hout. Gebruik de kettingzaag niet voor doeleinden waarvoor deze niet bedoeld is. Bijvoorbeeld: gebruik de kettingzaag niet om kunststof, steen of bouwmaterialen anders dan hout te zagen.** Het gebruik van de kettingzaag bij andere werkzaamheden dan waarvoor deze bedoeld is, kan leiden tot gevaarlijke situaties.
13. **Oorzaken van terugslag en wat de gebruiker hieraan kan doen:**
Terugslag kan zich voordoen wanneer de neus of punt van het zaagblad een voorwerp raakt of wanneer het

hout zich sluit en de zaagketting in de zaagsnede vastklemt.

Zagen met alleen de punt van het zaagblad kan een plotselinge, omgekeerde reactie veroorzaken waardoor het zaagblad omhoog geworpen wordt in de richting van de gebruiker.

Het bekennen van de zaagketting langs de bovenrand van het zaagblad kan het zaagblad snel terugwerpen in de richting van de gebruiker.

Deze beide reacties kunnen ertoe leiden dat u de controle over de kettingzaag verliest waardoor ernstig persoonlijk letsel kan ontstaan. Wees niet afhankelijk van alleen de veiligheidsvoorzieningen ingebouwd in uw kettingzaag. Als gebruiker van de kettingzaag moet u meerdere stappen ondernemen om ervoor te zorgen dat uw zaagwerkzaamheden zonder ongevallen of letsel verlopen.

Terugslag is het gevolg van misbruik van het gereedschap en/of onjuiste gebruiksprocedures of -omstandigheden, en kan worden voorkomen door goede voorzorgsmaatregelen te treffen, zoals hieronder vermeld:

- **Houd de kettingzaag stevig vast, met de duimen en vingers rondom de handgrepen van de kettingzaag, met beide handen en positioneer uw lichaam en armen zodanig dat u een eventuele terugslag kan opvangen.** De kracht van een terugslag kan worden opgevangen door de gebruiker mits de juiste voorzorgsmaatregelen getroffen worden. Laat de kettingzaag nooit los (zie **afb. 1**).
- **Reik niet te ver en zaag nooit boven schouderhoogte.** Dit helpt te voorkomen dat de punt van het zaagblad per ongeluk iets raakt en biedt een betere controle van de kettingzaag in onverwachte situaties.
- **Gebruik bij het vervangen van het zaagblad of de zaagketting uitsluitend onderdelen die zijn opgegeven door de fabrikant.** Vervanging door een verkeerd zaagblad of zaagketting kan ertoe leiden dat de zaagketting breekt en/of terugslaat.
- **Volg de instructies van de fabrikant over het slijpen en onderhouden van de zaagketting.** Het verlagen van de hoogte van de dieptevoeler kan leiden tot toegenomen terugslag.

AANVULLENDE VEILIGHEIDSVORSCHRIFTEN

1. Lees de gebruiksaanwijzing om uzelf bekend te maken met de bediening van de kettingzaag.
2. Alvorens de kettingzaag voor het eerst te gebruiken dient u de bediening ervan uitgelegd te krijgen. Als dat niet mogelijk is, moet u eerst proefzagen met ronde stammen op een bok voordat u daadwerkelijk met de kettingzaag werkt.
3. De kettingzaag mag niet worden gebruikt door kinderen of jeugd jonger dan 18 jaar. Jongeren ouder dan 16 jaar kunnen uitgezonderd worden van deze regel mits zijn les krijgen onder toezicht van een expert.
4. Werken met een kettingzaag vereist een hoge mate van concentratie. Werk niet met een kettingzaag als u

zich niet volledig fit voelt. Werk altijd rustig en voorzichtig.

5. Werk nooit onder invloed van alcohol, drugs of medicijnen.

Juist gebruik

1. De kettingzaag is uitsluitend bedoeld voor het zagen van hout. Gebruik hem niet voor het zagen van bijvoorbeeld kunststof of poreus beton.
2. Gebruik de kettingzaag uitsluitend voor bedieningen die beschreven staan in deze gebruiksaanwijzing. Gebruik hem bijvoorbeeld **niet** voor het snoeien van hagen of soortgelijke werkzaamheden.
3. De kettingzaag mag niet worden gebruikt voor bosbouwwerkzaamheden, bijv. voor het omzagen en takken afzagen van staande bomen. Door het netsnoer van de kettingzaag heeft de gebruiker niet de mobiliteit en veiligheid die noodzakelijk zijn voor dergelijk werk.
4. De kettingzaag is niet bedoeld voor commercieel gebruik.
5. Overbelast de kettingzaag niet.

Persoonlijke-veiligheidsuitrusting

1. Kleding moet nauwsluitend zijn, maar de bewegelijkheid niet belemmeren.
2. Draag de volgende beschermende kleding tijdens het werk:
 - Een goedgekeurde veiligheidshelm, als er gevaar bestaat voor vallende takken en dergelijke;
 - Een gezichtsmasker of veiligheidsbril;
 - Geschikte gehoorbescherming (oorschelpen, of aangepaste of kneedbare oordoppen). Octaafbandanalyse op verzoek beschikbaar.
 - Stevige, lederen veiligheidshandschoenen;
 - Lange broek gemaakt van een sterke stof;
 - Veiligheidsoverall van snijbestendige stof;
 - Veiligheidsschoenen met antislipzolen, stalen neus en snijbestendige, stoffen voering;
 - Een mondmasker, indien tijdens het werk stof wordt geproduceerd (bijv. bij het zagen van droog hout).

Beveilig uzelf tegen elektrische schokken



De kettingzaag mag niet worden gebruikt tijdens nat weer of in een vochtige omgeving omdat de elektromotor niet waterdicht is.

1. Steek de stekker van de kettingzaag alleen in een stopcontact van een getest elektrisch circuit. Controleer dat de netspanning overeenkomt met die op het typeplaatje. Zorg ervoor dat het stopcontact op een groep zit met een zekering van 16 A. Als de kettingzaag in de open lucht wordt gebruikt, moet deze zijn aangesloten op een op reststroom werkende stroomonderbreker die in werking treedt bij een reststroom van maximaal 30 mA.



Als het netsnoer of verlengsnoer beschadigd raakt, moet u onmiddellijk de stekker uit het stopcontact trekken.

Veilige werkmethoden

1. Alvorens met het werk te beginnen, controleert u dat de kettingzaag zich in goede werkende staat bevindt,

en dat deze voldoet aan de veiligheidsregels.

Controleer met name dat:

- De kettingrem goed werkt;
- De uitlooprem goed werkt;
- Het zaagblad en de afdekking van het kettingwiel goed zijn gemonteerd;
- De ketting is geslepen en gespannen overeenkomstig de regels;
- Het netsnoer en de stekker niet beschadigd zijn;

Raadpleeg het hoofdstuk "CONTROLES".

2. Zorg er met name altijd voor dat het gebruikte verlengsnoer de juiste dwarsdoorsnede heeft (zie "TECHNISCHE GEGEVENS"). Bij gebruik van een kabelhaspel moet u het snoer helemaal uitrollen. Bij gebruik van de kettingzaag in de open lucht, controleert u dat het gebruikte snoer geschikt is voor gebruik in de open lucht en als zodanig is gemarkeerd.
3. Houd het netsnoer uit de buurt van het zaaggebied en geleid het netsnoer zodanig dat het tijdens het omzagen niet blijft haken achter takken en dergelijke.
4. Gebruik de kettingzaag niet in de buurt van brandbaar stof of gas aangezien de motor vonken kan produceren en **explosiegevaar** oplevert.
5. Werk uitsluitend op een vaste ondergrond en terwijl u stevig staat. Let met name goed op obstakels (bijv. het snoer) in het werkgebied. Let met name goed op op plaatsen waar vocht, ijs, verse houtsnippers of schors de ondergrond glad kunnen maken. Gebruik de kettingzaag niet terwijl u op een ladder of in een boom staat.
6. Let met name goed op wanneer u op een schuine ondergrond staat omdat weggelende stammen en takken een gevaarlijke situatie kunnen opleveren.
7. Zaag nooit boven schouderhoogte.
8. **Houd de kettingzaag met beide handen vast bij het inschakelen en tijdens gebruik.** Houd de achterhandgreep met uw rechterhand vast en de voorhandgreep met uw linkerhand. Houd de handgrepen stevig vast met uw duim. Het zaagblad en de zaagketting mogen niet geen enkel voorwerp in aanraking zijn op het moment dat de kettingzaag wordt ingeschakeld (**zie afb. 1**).
9. Verwijder vreemde voorwerpen, zoals zand, stenen, spijkers, draad, enz., uit het gebied waarin wordt gezaagd. Vreemde voorwerpen beschadigen het zaagblad en de zaagketting, en kunnen gevaarlijke terugslag veroorzaken.
10. Wees met name voorzichtig wanneer u zaagt in de buurt van afrasteringen. Raak de afrastering niet met de kettingzaag want hierdoor kan een terugslag ontstaan.
11. Raak de grond niet met de kettingzaag.
12. Zaag alleen enkele stukken hout en geen bundels of stapels.
13. Vermijd het zagen van dunne takjes en wortels omdat deze in de kettingzaag verstrengeld kunnen raken. Hierdoor kunt u uw evenwicht verliezen.
14. Gebruik een stabiele ondersteuning (bok) wanneer u in gezaagd hout zaagt.
15. Gebruik de kettingzaag niet voor het los peuteren of wegvegen van stukjes hout en andere voorwerpen.

16. Houd de kettingzaag zodanig vast dat geen enkel lichaamsdeel van u in het verlengde van de lijn van de zaagketting ligt (zie de afbeelding) (**zie afb. 2**).
17. Bij het verplaatsen tussen twee zaagsneden, gebruik u de kettingrem om te voorkomen dat de ketting per ongeluk in werking wordt gesteld. Houd de kettingzaag bij het dragen vast aan de voorhandgreep en houdt uw vinger daarbij niet om de aan-uitschakelaar.
18. Trek de stekker uit het stopcontact wanneer u een pauze neemt of de kettingzaag alleen achterlaat. Leg de kettingzaag neer op een plaats waar deze geen gevaar oplevert.

Terugslag

1. Tijdens het gebruik van de kettingzaag kan een gevaarlijke terugslag optreden. Een terugslag treedt op wanneer de punt van het zaagblad (met name het laatste kwart) in aanraking komt met hout of een ander massief voorwerp. Hierdoor zal de kettingzaag in de richting van de gebruiker worden gedwongen (**zie afb. 3**).
2. Let op de volgende punten om terugslag te voorkomen:
 - Begin een zaagsnede nooit met de punt van het zaagblad.
 - Gebruik de punt van het zaagblad niet om te zagen. Let met name goed op wanneer u verder gaat zagen in een reeds gemaakte zaagsnede.
 - Begin te zagen met draaiende ketting.
 - Slijp de ketting altijd op de juiste wijze. Stel vooral de dieptevoeler in op de juiste hoogte.
 - Zaag nooit door meerdere takken tegelijk.
 - Let er bij het afzagen van takken op dat het zaagblad niet in aanraking komt met andere takken.
 - Houd bij het afzagen afstand tot andere stammen in de buurt. Kijk altijd naar de punt van het zaagblad.
 - Gebruik een bok.

Veiligheidsvoorzieningen

1. Controleer altijd dat de veiligheidsvoorzieningen in werkende staat verkeren alvorens met het werk te beginnen. Gebruik de kettingzaag niet als de veiligheidsvoorzieningen niet goed werken.
- **Kettingrem:**
De kettingzaag is uitgerust met een kettingrem die de zaagketting binnen een fractie van een seconde tot stilstand brengt. De kettingrem wordt in werking gesteld wanneer de beschermkap van de voorhandgreep naar voren wordt geduwd. De zaagketting staat dan binnen 0,15 seconde stil en de voeding naar de motor wordt onderbroken (**zie afb. 4**).
- **Uitlooprem:**
De kettingzaag is uitgerust met een uitlooprem die de zaagketting onmiddellijk tot stilstand brengt wanneer de aan-uitschakelaar wordt losgelaten. Hierdoor wordt voorkomen dat de zaagketting blijft draaien terwijl de kettingzaag is uitgeschakeld, zodat gevaarlijke situaties worden voorkomen.
- **De beschermkappen van de voor- en achterhandgrepen** beschermen de gebruiker tegen verwondingen door houtsnippers die naar achteren

kunnen worden geworpen, of door een gebroken zaagketting.

- De **uit-vergrendeling** voorkomt dat de kettingzaag per ongeluk wordt ingeschakeld.
- De **kettingvanger** beschermt de gebruiker tegen verwonding in het geval dat de ketting springt of breekt.

Vervoer en opslag



Wanneer de kettingzaag niet in gebruik is of wordt vervoerd, trekt u de stekker uit het stopcontact en plaatst u de schede om het zaagblad. Draag of vervoer de kettingzaag nooit met draaiende zaagketting.

1. Draag de kettingzaag aan alleen de voorhandgreep met het zaagblad naar achteren gericht.
2. Bewaar de kettingzaag op een veilige, droge en afgesloten plaats, buiten het bereik van kinderen. Bewaar de kettingzaag niet buitenshuis.

Onderhoud

1. Trek de stekker uit het stopcontact alvorens enige instel- of onderhoudswerkzaamheden uit te voeren.
2. Controleer het netsnoer regelmatig op beschadiging van de isolatie.
3. Maak de kettingzaag regelmatig schoon.
4. Laat eventuele beschadiging van de kunststof behuizing onmiddellijk en vakkundig repareren.
5. Gebruik de kettingzaag niet als de aan-uitschakelaar niet goed werkt. Laat deze eerst vakkundig repareren.
6. Onder geen beding mag de kettingzaag op enigerlei wijze worden veranderd. Uw veiligheid staat op het spel.
7. Voer geen onderhouds- of reparatiewerkzaamheden uit anders dan beschreven in deze gebruiksaanwijzing. Alle andere werkzaamheden moeten worden uitgevoerd door een erkend servicecentrum.
8. Gebruik uitsluitend originele vervangingsonderdelen en accessoires die ontworpen zijn voor uw model kettingzaag. Als u andere onderdelen gebruikt, wordt de kans op een ongeval vergroot.
9. Wij accepteren geen enkele aansprakelijkheid voor ongevallen of schade in geval een niet-goedgekeurd zaagblad, zaagketting of ander vervangingsonderdeel of accessoire wordt gebruikt.

EHBO



Werk niet alleen. Werk altijd binnen hoorafstand van iemand anders.

1. Houd altijd een EHBO-dooos bij de hand. Vervang de verbruikte items uit de EHBO-dooos onmiddellijk.
2. Mocht u hulp nodig hebben na een ongeval, vermeld het volgende:
 - Waar vond het ongeval plaats?
 - Wat is er gebeurd?
 - Hoeveel gewonden zijn er?
 - Welke verwondingen hebben zij?
 - Wie meldt het ongeval?

OPMERKING:

Personen met een slechte bloedsomloop die worden blootgesteld aan sterke trillingen, kunnen verwondingen aan bloedvaten of het zenuwstelsel oplopen.

Trillingen kunnen de volgende symptomen veroorzaken in de vingers, handen of polsen: "slapen" (ongevoeligheid), tintelingen, pijn, stekend gevoel, veranderen van huidskleur of van de huid.

Als een van deze symptomen zich voordoet, raadpleegt u uw huisarts!

BEWAAR DEZE INSTRUCTIES.

⚠ WAARSCHUWING:

Laat u NIET misleiden door een vals gevoel van comfort en bekendheid met het gereedschap (na veelvuldig gebruik) en neem alle veiligheidsvoorschriften van het betreffende product altijd strikt in acht. VERKEERD GEBRUIK of het niet volgen van de veiligheidsinstructies in deze gebruiksaanwijzing kan leiden tot ernstig persoonlijk letsel.

NAMEN VAN ONDERDELEN (zie afb. 5)

ONDERDELEN AANBRENGEN EN VERWIJDEREN

⚠ LET OP:

- Controleer altijd of het gereedschap is uitgeschakeld en de stekker uit het stopcontact is getrokken alvorens enige werk aan het gereedschap uit te voeren.

De zaagketting aanbrengen en verwijderen

⚠ LET OP:

- Draag altijd handschoenen tijdens het aanbrengen en verwijderen van de zaagketting.

Om de zaagketting te verwijderen voert u de volgende stappen uit:

1. Duw tegen de hendel om hem volledig te openen tot hij stopt (**zie afb. 6**).
2. Draai de hendel linksom om de afdekking van het kettingwiel los te maken tot deze eraf komt.
3. Draai de stelknop in de richting "–" om de spanning van de zaagketting af te halen (**zie afb. 7**).
4. Verwijder de afdekking van het kettingwiel.
5. Haal de zaagketting en het zaagblad van de kettingzaag af.

Om de zaagketting aan te brengen voert u de volgende stappen uit:

6. Controleer de richting van de zaagketting. De pijlmarkering op de zaagketting toont de richting van de ketting (**zie afb. 8**).
7. Leg een uiteinde van de zaagketting rond de voorkant van het zaagblad en het andere uiteinde rondom het kettingwiel.
8. Leg het zaagblad op zijn plaats op de kettingzaag.
9. Lijn de spanschuif uit met de opening in het zaagblad (**zie afb. 9**).
10. Houd het zaagblad vast en draai de stelknop in de richting "+" om de spanning van de zaagketting in te stellen.
11. Plaats de afdekking van het kettingwiel zodanig dat de haken langs de openingen liggen en de pen in de bus van de afdekking van het kettingwiel valt (**zie afb. 10**).

- Draai de hendel rechtsom om de afdekking van het kettingwiel vast te zetten (zie afb. 11).
- Duw de hendel omlaag naar zijn oorspronkelijke stand.

De kettingspanning instellen

De zaagketting kan na vele gebruiksuren los gaan zitten. Controleer regelmatig de kettingspanning vóór gebruik.

- Duw de hendel omhoog tot hij volledig is geopend en klikt. Draai hem iets linksom zodat de afdekking van het kettingwiel iets los komt (zie afb. 6).
- Til de punt van het zaagblad iets op (zie afb. 12).
- Draai de stelknop om de kettingspanning in te stellen. Span de zaagketting totdat de onderkant van de zaagketting in de groef in het zaagblad valt (zie cirkel).
- Blijf het zaagblad licht vasthouden, stel de kettingspanning in en zet u de afdekking van het kettingwiel vast. Controleer of de zaagketting niet los hangt aan de onderkant.
- Duw de hendel omlaag naar zijn oorspronkelijke stand (zie afb. 13).

Controleer of de zaagketting goed langs de onderkant van het zaagblad loopt.

⚠ LET OP:

- Span de zaagketting niet te strak. Door een buitensporig hoge kettingspanning kan de zaagketting breken, het zaagblad slijten en de stelknop afbreken.
- Een te slappe zaagketting kan van het zaagblad af lopen en verhoogt daarmee de kans op een ongeval.
- Voer de werkzaamheden van het aanbrengen en verwijderen van de zaagketting uit op een schone plaats zonder zaagsel en dergelijk vuil.

Een verlengsnoer aansluiten

⚠ LET OP:

- Zorg ervoor dat de stekker van het verlengsnoer niet in het stopcontact is gestoken (zie afb. 14).

Om het verlengsnoer aan te sluiten, maakt u het met behulp van de snoerhaak vast aan het netsnoer van de kettingzaag.

Maak de snoerhaak vast aan het verlengsnoer op ongeveer 100 - 200 mm vanaf de contrastekker. Hierdoor wordt per ongeluk loskoppelen voorkomen.

BEDIENING

Aan-uitschakelaar (zie afb. 15)

⚠ LET OP:

- Controleer altijd of het gereedschap is uitgeschakeld en de stekker uit het stopcontact is getrokken alvorens de werking van de aan-uitschakelaar te controleren.
- Controleer altijd, voordat u de stekker in het stopcontact steekt, of de aan-uitschakelaar op de juiste manier schakelt en weer terugkeert naar de uit-stand nadat deze is losgelaten.

OPMERKING:

- Schakel het gereedschap niet veelvuldig in en uit binnen een korte tijdsduur (vijf seconden of minder). De temperatuur binnenin het gereedschap zal oplopen waardoor het gereedschap kan worden beschadigd.

De tijdsduur verschilt afhankelijk van de luchttemperatuur en andere factoren (zie afb. 16). Om te voorkomen dat de aan-uitschakelaar per ongeluk wordt bediend, is een uit-vergrendelknop aangebracht. Om het gereedschap te starten, drukt u de uit-vergrendelknop in en knijpt u de aan-uitschakelaar in. Laat de aan-uitschakelaar los om het gereedschap te stoppen.

Smeren

⚠ LET OP:

- Zorg er altijd voor dat het gereedschap is uitgeschakeld en de stekker uit het stopcontact is getrokken, voordat u de zaagketting smeert.

Smeer de zaagketting en het zaagblad met een biologisch afbreekbare zaagkettingolie met een hechttoevoeging. De hechttoevoeging in de zaagkettingolie voorkomt dat de olie te snel van de zaagketting afvliegt. Minerale olie mag niet worden gebruikt vanwege het schadelijke effect op het milieu (zie afb. 17).

⚠ LET OP:

- Vermijd dat de olie in aanraking komen met uw huid en ogen. Olie in het oog veroorzaakt irritatie. In het geval de olie in het oog komt, moet u het betreffende oog onmiddellijk spoelen met schoon water en direct een huisarts raadplegen.
- Gebruik nooit afvalolie. Afvalolie bevat kankerverwekkende bestanddelen. De verontreinigingen in afvalolie veroorzaken een versnelde slijtage van de olietank, het zaagblad en de zaagketting. Afvalolie is schadelijk voor het milieu.
- Wanneer u de kettingzaag voor het eerst vult met zaagkettingolie, of de olietank bijvult nadat deze geheel leeg is geraakt, vult u olie bij tot aan de onderrand van de vulnek. Anders kan de olietoevoer gehinderd worden.

Om olie bij te vullen voert u de volgende stappen uit (zie afb. 18):

- Reinig het gebied rondom de olietank zorgvuldig om te voorkomen dat vuil in de olietank kan komen.
- Draai de olietank eraf en vul olie bij tot aan de onderrand van de vulnek.
- Draai de olietank stevig terug op zijn plaats.
- Veeg eventueel gemorste olie zorgvuldig weg.

OPMERKING:

- Als de kettingzaag voor het eerst wordt gebruikt, kan het maximaal twee minuten duren voordat de zaagkettingolie het zaagmechanisme begint te smeren. Laat gedurende deze tijd de kettingzaag onbelast draaien (zie "CONTROLES").

CONTROLES

Alvorens met de werkzaamheden te beginnen, voert u de volgende controles uit:

De kettingspanning controleren

⚠ WAARSCHUWING:

- Trek altijd de stekker uit het stopcontact voordat u de kettingspanning controleert en draag daarbij een veiligheidsbril.

Controleer of de zaagketting goed langs de onderkant van het zaagblad loopt (zie cirkel) (zie afb. 12).

Controleer de kettingspanning veelvuldig omdat een nieuwe ketting door gebruik langer wordt.

Door een buitensporig hoge kettingspanning kan de zaagketting breken, het zaagblad slijten en de stelknop afbreken.

Een te slappe zaagketting kan van het zaagblad af lopen en verhoogt daarmee de kans op een ongeval.

Als de zaagketting te slap staat: Raadpleeg het tekstdeel getiteld "De kettingspanning instellen" en stelt u de kettingspanning opnieuw in.

De werking van de aan-uitschakelaar controleren

LET OP:

Controleer altijd, voordat u de stekker in het stopcontact steekt, of de aan-uitschakelaar op de juiste manier schakelt en weer terugkeert naar de uit-stand nadat deze is losgelaten.

Om te voorkomen dat de aan-uitschakelaar per ongeluk wordt bediend, is een uit-vergrendelknop aangebracht.

Om het gereedschap te starten, drukt u de uit-vergrendelknop in en knijpt u de aan-uitschakelaar in. Laat de aan-uitschakelaar los om het gereedschap te stoppen.

Knijp de aan-uitschakelaar niet hard in zonder de uit-vergrendelknop in te drukken. Hierdoor kan de aan-uitschakelaar kapot gaan.

De kettingrem controleren

OPMERKING:

- Als de kettingzaag niet kan worden gestart, controleert u of de kettingrem is losgezet. Om de kettingrem los te zetten, trekt u de beschermkap van de voorhandgreep stevig naar achteren tot u voelt dat deze aangrijpt (zie afb. 19 en 20).

Controleer de kettingrem als volgt:

- Houd de kettingzaag met beide handen vast bij het inschakelen. Houd de achterhandgreep met uw rechterhand vast en de voorhandgreep met uw linkerhand. Zorg ervoor dat het zaagblad en de zaagketting geen enkel voorwerp raken.
- Druk eerst de uit-vergrendelknop in en knijp daarna de aan-uitschakelaar in. De zaagketting begint onmiddellijk te draaien.
- Duw de beschermkap van de voorhandgreep naar voren met de rug van uw hand. Controleer of de zaagketting onmiddellijk tot stilstand komt.

LET OP:

- Als de zaagketting niet onmiddellijk tot stilstand komt, mag u de kettingzaag onder geen enkele voorwaarde gebruiken. Neem contact op met een erkend Makita-servicecentrum.

De uitlooprem controleren

Schakel de kettingzaag in.

Laat de aan-uitschakelaar helemaal los. Controleer of de zaagketting binnen één seconde tot stilstand komt.

LET OP:

- Als de zaagketting niet onmiddellijk tot stilstand komt, mag u de kettingzaag onder geen enkele voorwaarde gebruiken. Neem contact op met een erkend Makita-servicecentrum.

De kettingsmeerinrichting controleren

Alvorens met het werk te beginnen, controleert u het oliepeil in de olietank en de olietoevoer.

Het oliepeil kan worden gecontroleerd door het peilglas aangegeven in de afbeelding (zie afb. 21).

Controleer de olietoevoer op de volgende manier:

Start de kettingzaag.

Terwijl de zaagketting draait, houdt u de zaagketting ongeveer 15 cm boven een boomstam of de grond. Als de smering voldoende is, zullen de oliespetters een dunne oliestreek vormen.

Let op de windrichting en stel uzelf niet onnodig bloot aan de oliespetters.

LET OP:

- Als geen oliestreek wordt gevormd, mag u de kettingzaag niet gebruiken. De levensduur van de zaagketting zal dan worden verkort. Controleer het oliepeil. Maak de olietoevoergroef en het olietoevoergat in het zaagblad schoon (raadpleeg "ONDERHOUD").

De kettingsmering afstellen (zie afb. 22)

U kunt de toevoersnelheid van de oliepomp afstellen met behulp van de stelschroef.

LET OP:

- Gebruik altijd de voorhandgreep en achterhandgreep, en houd het gereedschap tijdens gebruik stevig vast aan zowel de voorhandgreep als de achterhandgreep.
- Zet het hout dat u gaat zagen altijd vast omdat anders de houtsnippers kunnen leiden tot persoonlijk letsel.

WERKEN MET DE KETTINGZAAG

Afzagen (zie afb. 23)

Plaats bij het afzagen de getande kam op het hout waarin u wilt zagen, zoals aangegeven in de afbeelding.

Zaag met draaiende zaagketting in het hout en til de achterhandgreep op terwijl u met de voorhandgreep het zagen geleidt. Gebruik op deze manier de getande kam als scharnierpunt.

Vervolg de zaagsnede door licht op de voorhandgreep te drukken en de kettingzaag iets terug te trekken. Plaats de getande kam lager tegen het hout en til de voorhandgreep weer op.

Als u meerdere zaagsneden maakt, schakelt u de kettingzaag uit tussen de zaagsneden.

LET OP:

- Als de zaagketting langs de bovenrand van het zaagblad wordt gebruikt om te zagen, kan de kettingzaag in uw richting worden bewogen als de ketting klem komt te zitten. Om deze reden moet u met de onderrand van het zaagblad zagen zodat de kettingzaag van uw lichaam af wordt bewogen (zie afb. 24).

Als hout onder spanning staat, zaagt u eerst de kant met de duwkracht (A). Maak de eindsnede aan de kant met de

trekkracht (B). Hiermee voorkomt u dat het zaagblad bekneld raakt (zie afb. 25).

Takken afzagen

LET OP:

- Takken afzagen mag uitsluitend worden uitgevoerd door opgeleide personen. Door het risico van terugslag kan een gevaarlijke situatie ontstaan.

Ondersteun bij het afzagen van takken zo mogelijk de kettingzaag op de boomstam. Zaag niet met de punt van het zaagblad omdat hierdoor de kans op terugslag ontstaat.

Let met name goed op bij takken die onder spanning staan. Zaag geen takken vanaf de onderkant als deze niet worden ondersteund.

Ga bij het afzagen van takken niet bovenop de omgezaagde boomstam staan.

Inzagen en in de richting van de houtnerf zagen

LET OP:

- Inzagen en in de richting van de houtnerf zagen mag uitsluitend worden uitgevoerd door personen met speciale training. Het risico van terugslag vormt een kans op letsel.

Als u in de richting van de houtnerf zaagt, moet de hoek zo klein mogelijk zijn. Voer het zagen zo voorzichtig mogelijk uit, want de getande kam kan niet worden gebruikt (zie afb. 26).

Omzagen

LET OP:

- Omzagen mag uitsluitend worden uitgevoerd door opgeleide personen. Het werk is gevaarlijk.
- Houd u aan de plaatselijke regelgeving als u een boom wilt omzagen (zie afb. 27).
- Voordat u met het omzagen begint, controleert u de volgende punten:
 - (1) Uitsluitend de personen die betrokken zijn bij het omzagen mogen zich in de buurt bevinden;
 - (2) Iedere betrokken persoon moet een ongehinderde vluchtroute hebben door een gebied van ongeveer 45° aan weerskanten van de vallijn. Let op het risico van struikelen over elektrische snoeren;
 - (3) De voet van de stam met vrij zijn van vreemde voorwerpen, wortels en takken;
 - (4) Binnen een afstand van 2 1/2 keer de lengte van de boom mogen zich geen personen of voorwerpen bevinden in de richting waarin de boom zal vallen.
 - Let met betrekking tot ieder boom op de volgende punten:
 - De richting waarin de boom overhelt;
 - Losse of droge takken;
 - Hoogte van de boom;
 - Natuurlijke overhang;
 - Of de boom verrot is of niet.
 - Let op de windsnelheid en -richting. Zaag geen bomen om als er sterke rukwinden zijn.
 - Afkorten van worteluitwassen: Begin met de grootste uitwassen. Maak eerst de verticale zaagsnede.
 - Zaag een inkeping: De inkeping bepaalt de richting waarin de boom valt en geleidt de val. De inkeping

wordt gemaakt aan de kant waarheen de boom moet vallen. Maak de inkeping zo dicht mogelijk bij de grond. Maak eerst de horizontale zaagsnede tot een diepte van 1/5 tot 1/3 van de stamdiameter. Maak de inkeping niet te groot. Maak vervolgens de diagonale zaagsnede (zie afb. 28).

- Maak eventuele correcties aan de inkeping over de gehele breedte ervan.
- Maak de zaagsnede aan de achterkant iets hoger dan de horizontale zaagsnede van de inkeping. De zaagsnede aan de achterkant moet precies horizontaal zijn. Laat ongeveer 1/10 van de stamdiameter over tussen de zaagsnede aan de achterkant en de inkeping. De houtvezels in het niet-doorgezaagde deel van de stam werken als een scharnier. Zaag niet de volledige diameter van de stam door omdat dan de boom ongecontroleerd zal vallen. Plaats tijds wiggens in de zaagsnede aan de achterkant (zie afb. 29).
- Alleen kunststof- of aluminiumwiggens mogen worden gebruikt om de zaagsnede aan de achterkant open te houden. IJzeren wiggens mogen niet worden gebruikt.
- Ga aan de zijkant van de vallende boom staan. Houd aan de achterkant van de vallende boom een gebied vrij met een hoek van 45° aan weerskanten van de vallijn (zie de afbeelding bij "Werkgebied bij omzagen"). Let goed op vallende takken.
- Alvorens met het omzagen te beginnen, moet een vluchtroute worden voorbereid en vrijgemaakt. De vluchtroute dient schuin naar achteren van de verwachte vallijn te lopen, zoals aangegeven in de afbeelding (zie afb. 30).

ONDERHOUD

LET OP:

- Zorg er altijd voor dat het gereedschap is uitgeschakeld en de stekker uit het stopcontact is getrokken, voordat u een inspectie of onderhoud uitvoert.
- Draag altijd handschoenen tijdens het uitvoeren van inspectie- of onderhoudswerkzaamheden.
- Gebruik nooit benzine, wasbenzine, thinner, alcohol, enz. Dit kan leiden tot verkleuren, vervormen of barsten.

Voer de hieronder beschreven onderhoudswerkzaamheden regelmatig uit. Garantieclaims worden uitsluitend geaccepteerd als deze werkzaamheden regelmatig en goed zijn uitgevoerd. Alleen de onderhoudswerkzaamheden die in deze gebruiksaanwijzing worden beschreven, mogen door de gebruiker worden uitgevoerd. Alle andere werkzaamheden moeten worden uitgevoerd door een erkend MAKITA-servicecentrum.

De kettingzaag schoonmaken

Maak de kettingzaag regelmatig schoon met een poetsdoek. Met name de handgrepen moeten vrij van olie worden gehouden.

De kunststofbehuizing controleren

Voer regelmatig een visuele controle uit op alle onderdelen van de behuizing. In het geval een onderdeel

beschadigd is, laat u dit onmiddellijk op de juiste wijze repareren door een erkend MAKITA-servicecentrum.

De zaagketting slijpen

LET OP:

- Trek altijd de stekker uit het stopcontact en draag veiligheidshandschoenen bij het uitvoeren van werkzaamheden aan de zaagketting.

Slijp de zaagketting als (zie afb. 31):

- Poederachtig zaagsel wordt geproduceerd tijdens het zagen van vochtig hout;
- De zaagketting moeizaam in het hout binnendringt, zelfs wanneer hoge druk wordt uitgeoefend;
- De messen duidelijk beschadigd zijn;
- De kettingzaag naar links of rechts trekt in het hout. De reden hiervan is een ongelijkmatige scherpte van de zaagketting, of een beschadiging aan slechts een kant.

Slijp de zaagketting veelvuldig, maar slijp iedere keer slechts een weinig materiaal weg.

Twee of drie bewegingen met een vijl zijn doorgaans voldoende voor regelmatig bijslijpen. Als de zaagketting meerdere malen is bijgeslepen, laat u deze een keer slijpen door een erkend MAKITA-servicecentrum.

Regels met betrekking tot het slijpen:

- Alle messen moeten dezelfde lengte hebben. Als de messen een verschillende lengte hebben, draait de zaagketting niet soepel en kan de zaagketting breken.
- Slijp de zaagketting niet meer als de messen de minimale lengte van 3 mm bereikt hebben. In dat geval moet een nieuwe zaagketting worden gemonteerd.
- De dikte van de houtsnippers wordt bepaald door het hoogteverschil tussen de dieptevoeler (ronde neus) en de punt van de messen.
- De beste zaagprestaties worden bereikt met de volgende afstand tussen de dieptevoeler en de punt van de messen.

Kettingmes 90PX: 0,5 mm

Kettingmes 91PX: 0,65 mm (zie afb. 32)

WAARSCHUWING:

- Een te groot hoogteverschil verhoogt de kans op terugslag.
- De slijphoek van 30° moet hetzelfde zijn voor alle messen. Als de slijphoek verschillend is, draait de zaagketting niet soepel en ongelijkmatig, slijt de zaagketting sneller, en kan de zaagketting breken.
- De zijplaathoek van de messen wordt bepaald door de diepte waarmee de ronde vijl doordringt. Als de opgegeven vijl goed wordt gebruikt, wordt de juiste zijplaathoek automatisch verkregen.
- De juiste hoek voor de zijplaat van elke zaagketting is als volgt:
Kettingmes 90PX: 75°
Kettingmes 91PX: 80° (zie afb. 33)

Vijl en vijlbeweging

- Gebruik een speciale ronde vijl (los verkrijgbaar) voor het slijpen van een zaagketting. Normale ronde vijlen zijn niet geschikt.
- De diameter van de ronde vijl voor elke zaagketting is als volgt:
Kettingmes 90PX: 4,5 mm
Kettingmes 91PX: 4,0 mm

- De vijl mag alleen tijdens de voorwaartse beweging met het mes in aanraking komen. Til de vijl van het mes af tijdens de achterwaartse beweging.
- Slijp eerst het kortste mes. Daarna is de lengte van het kortste mes de standaard voor alle overige messen van de zaagketting.
- Beweeg de vijl zoals aangegeven in de afbeelding (zie afb. 34).
- De vijl kan gemakkelijker worden bewogen als een vijlhouder (los verkrijgbaar) wordt gebruikt. Op de vijlhouder staan merktekens voor de juiste slijphoek van 30° (lijn de merktekens parallel uit met de zaagketting) en beperkt de diepte waartoe de vijl doordringt (tot 4/5 van de vijldiameter) (zie afb. 35).
- Nadat de zaagketting is geslepen, controleert u de hoogte van de dieptevoeler met behulp van het kettingmeetgereedschap (los verkrijgbaar) (zie afb. 36).
- Verwijder eventueel uitstekend materiaal, ongeacht hoe klein, met een speciale platte vijl (los verkrijgbaar).
- Maak de voorkant van de dieptevoeler weer rond.

Het zaagblad schoonmaken en het retourketteng wiel smeren

LET OP:

- Draag tijdens deze werkzaamheden altijd een veiligheidsbril. Bramen vormen een kans op letsel. Controleer de loopvlakken van het ketteng wiel regelmatig op beschadigingen. Maak het zaagblad schoon met behulp van een geschikt gereedschap en verwijder zo nodig bramen (zie afb. 37).
- Als de kettingzaag veel wordt gebruikt, smeert u het retourketteng wiel minstens eenmaal per week. Voordat u nieuw vet aanbrengt, maakt u eerst het gat van 2 mm in de punt van het zaagblad schoon, en perst u vervolgens een kleine hoeveelheid universeelvet (los verkrijgbaar) in het gat.

De olietoevoer schoonmaken (zie afb. 38)

- Maak de olietoevoergroef en het olietoevoergat in het zaagblad schoon.

Nieuwe zaagketting

Gebruik beurtelings twee of drie zaagkettingen, zodat de zaagketting, het ketteng wiel en de loopvlakken van het zaagblad gelijkmatig slijten. Draai het ketteng wiel om bij het verwisselen van de zaagketting zodat de gleuf in het zaagblad gelijkmatig slijt.

LET OP:

- Gebruik uitsluitend zaagkettingen en zaagbladen die zijn goedgekeurd voor gebruik met dit model ketteng zaag (zie "TECHNISCHE GEGEVENS"). Controleer de conditie van het ketteng wiel voordat u een nieuwe zaagketting monteert (zie afb. 39).

LET OP:

- Een versleten ketteng wiel beschadigt een nieuw zaagketting. Vervang in dat geval eerst het ketteng wiel. Monteer bij het vervangen van het ketteng wiel altijd een nieuwe borgring.

De kettingrem en uitlooprem onderhouden

De remmen zijn uiterst belangrijke veiligheidsvoorzieningen. Net als ieder ander onderdeel van de kettingzaag zijn de remmen onderhevig aan een bepaalde mate van slijtage. Ze moeten regelmatig worden geïnspecteerd door een erkend MAKITA-servicecentrum. Deze maatregel is voor uw eigen veiligheid.

Het gereedschap bewaren

Biologisch afbreekbare zaagkettingolie kan slechts een beperkte tijdsduur bewaard worden. Twee jaar na de productiedatum begint biologisch afbreekbare olie hechteigenschappen te ontwikkelen, waardoor schade aan de oliepomp en de onderdelen van het smeersysteem kan worden veroorzaakt.

- Alvorens de kettingzaag gedurende langere tijd buiten gebruik te stellen, leegt u de olietank en giet u er een kleine hoeveelheid motorolie (SAE 30) in.
- Laat de kettingzaag een korte tijd draaien om alle resten van de biologisch afbreekbare olie uit de

olietank, het smeersysteem en het zaagmechanisme te spoelen.

OPMERKING:

- Nadat de kettingzaag buiten gebruik is gesteld, zal gedurende enige tijd een kleine hoeveelheid kettingolie eruit lekken. Dit is normaal en duidt niet op een defect.

Bewaar de kettingzaag op een geschikte ondergrond. Voordat u de kettingzaag weer in gebruik neemt, vult u de olietank met nieuwe BIOTOP-zaagkettingolie.

Om de VEILIGHEID en BETROUWBAARHEID van het gereedschap te handhaven, dienen alle reparaties, controle en vervanging van de koolborstels, onderhoud en afstellingen te worden uitgevoerd door een erkend Makita-servicecentrum, en altijd met gebruikmaking van originele Makita-vervangingsonderdelen.

PROBLEMEN OPLOSSEN

Alvorens om reparatie te verzoeken, voert u eerst zelf een inspectie uit. Als u een probleem ondervindt dat niet in deze handleiding wordt beschreven, mag u niet proberen het gereedschap uit elkaar te halen. Vraag in plaats daarvan aan een erkend Makita-servicecentrum.

Toestand tijdens defect	Mogelijke oorzaak	Oplossing
De kettingzaag start niet.	Geen voeding.	Sluit aan op de voeding. Controleer de voeding.
	Netsnoer defect.	Stop onmiddellijk met het gebruik van het gereedschap en vraag uw plaatselijke, erkende servicecentrum het gereedschap te repareren.
	Storing van gereedschap.	Stop onmiddellijk met het gebruik van het gereedschap en vraag uw plaatselijke, erkende servicecentrum het gereedschap te repareren.
Zaagketting draait niet.	Kettingrem is vastgezet.	Zet de kettingrem los.
Onvoldoende prestaties.	Koolborstels versleten.	Vraag uw plaatselijke, erkende servicecentrum het gereedschap te repareren.
Geen olie op de zaagketting.	Olietank is leeg.	Vul de olietank.
	Olietoevoergroef is verstopt.	Reinig de groef.
	De stelschroef van de oliepomp is verkeerd afgesteld.	Stel de toevoersnelheid van de oliepomp af.
De zaagketting stopt niet, ook niet wanneer de kettingrem in werking treedt.	Remband is versleten.	Stop onmiddellijk met het gebruik van het gereedschap en vraag uw plaatselijke, erkende servicecentrum het gereedschap te repareren.
Het gereedschap trilt abnormaal sterk.	Zaagblad of zaagketting zit los.	Stel het zaagblad en de kettingspanning in.
	Storing van gereedschap.	Stop onmiddellijk met het gebruik van het gereedschap en vraag uw plaatselijke, erkende servicecentrum het gereedschap te repareren.

014314

VERKRIJGBARE ACCESSOIRES

⚠ LET OP:

- Deze accessoires of hulpstukken worden aanbevolen voor gebruik met het Makita-gereedschap dat in deze gebruiksaanwijzing wordt beschreven. Het gebruik van andere accessoires of hulpstukken kan gevaar voor persoonlijk letsel opleveren. Gebruik de accessoires of hulpstukken uitsluitend voor de aangegeven gebruiksdoeleinden.

Mocht u meer informatie willen hebben over deze accessoires, dan kunt u contact opnemen met uw plaatselijke Makita-servicecentrum.

- Zaagketting
- Schede
- Zaagblad
- Kettingmeetgereedschap
- Ronde vijl van 4,0 mm
- Ronde vijl van 4,5 mm
- Platte vijl

- Vijlhouder met vijl van 4,0 mm
- Vijlhouder met vijl van 4,5 mm
- Vijlhandvat
- Zaagkettlingolie
- Universeelvet
- Vetspuit

OPMERKING:

- Sommige items op de lijst kunnen zijn inbegrepen in de doos van het gereedschap als standaard toebehoren. Zij kunnen van land tot land verschillen.

Geluid ENG905-1
De typische, A-gewogen geluidsniveaus zijn gemeten volgens EN60745:

- Geluidsdrukniveau (L_{pA}): 90,3 dB (A)
- Geluidsvermogeniveau (L_{WA}): 101,3 dB (A)
- Onzekerheid (K): 2,5 dB (A)

Draag gehoorbescherming.

Trillingen ENG900-1
De totale trillingswaarde (triaxiale vectorsom) zoals vastgesteld volgens EN60745:

- Gebruikstoepassing: zagen in hout
- Trillingsemisatie (a_h): 4,7 m/s²
- Onzekerheid (K): 1,5 m/s²

ENG901-1

- De opgegeven trillingsemisatie waarde is gemeten volgens de standaardtestmethode en kan worden gebruikt om dit gereedschap te vergelijken met andere gereedschappen.
- De opgegeven trillingsemisatie waarde kan ook worden gebruikt voor een beoordeling vooraf van de blootstelling.

⚠ WAARSCHUWING:

- De trillingsemisatie tijdens het gebruik van het elektrisch gereedschap in de praktijk kan verschillen van de opgegeven trillingsemisatie waarde afhankelijk van de manier waarop het gereedschap wordt gebruikt.
- Zorg ervoor dat veiligheidsmaatregelen worden getroffen ter bescherming van de operator die zijn gebaseerd op een schatting van de blootstelling onder praktijkomstandigheden (rekening houdend met alle fasen van de bedrijfscyclus, zoals de tijdsduur gedurende welke het gereedschap is uitgeschakeld en stationair draait, naast de ingeschakelde tijdsduur).

Alleen voor Europese landen ENH021-8

EU-verklaring van conformiteit

Makita verklaart dat de volgende machine(s):

- Aanduiding van de machine:
Kettingzaag
- Modelnr./Type: UC3041A, UC3541A, UC4041A
- Technische gegevens: zie de tabel "TECHNISCHE GEGEVENS".

Voldoen aan de volgende Europese richtlijnen:

2000/14/EG, 2006/42/EG

Deze zijn gefabriceerd in overeenstemming met de volgende normen of genormaliseerde documenten:

EN60745

Het technische bestand volgens 2006/42/EG is verkrijgbaar bij:

Makita, Jan-Baptist Vinkstraat 2, 3070, België

De conformiteitsbeoordelingsprocedure vereist door Richtlijn 2000/14/EG was in Overeenstemming met annex V.

Gemeten geluidsvermogeniveau: 102,2 dB (A)
Gegarandeerd geluidsvermogeniveau: 104 dB (A)

26. 4. 2013



Yasushi Fukaya
Directeur

Makita, Jan-Baptist Vinkstraat 2, 3070, België